

# **Installation Manual of Bed**

## **Dear Valued Customer:**

Thank you for choosing our brand and purchasing our bed frame!

We are thrilled to have earned your trust and we want to ensure that you are completely satisfied with your purchase. To help you get the most out of your new bed frame, we would like to share some useful tips on cleaning and maintenance.

When cleaning your bed frame, we recommend using a soft, slightly moist cloth. Avoid using corrosive detergents, wire brushes, abrasive scourers, or any sharp metal objects as they may damage the product.

Additionally, we recommend checking the components of the bed frame regularly to ensure that all screws are tightened and the frame remains stable.

Installing the bed frame is a simple process. Please refer to the detailed instructions in the manual for step-by-step guidance.

Customer satisfaction is our top priority and we are committed to providing you with the best service and high-quality products. If you have any questions or concerns regarding your bed frame, please don't hesitate to contact our customer service team at email. We are here to help you and resolve any issues you may have. To solve your problem faster, please note the following information in the email.

Theme: Beds Service

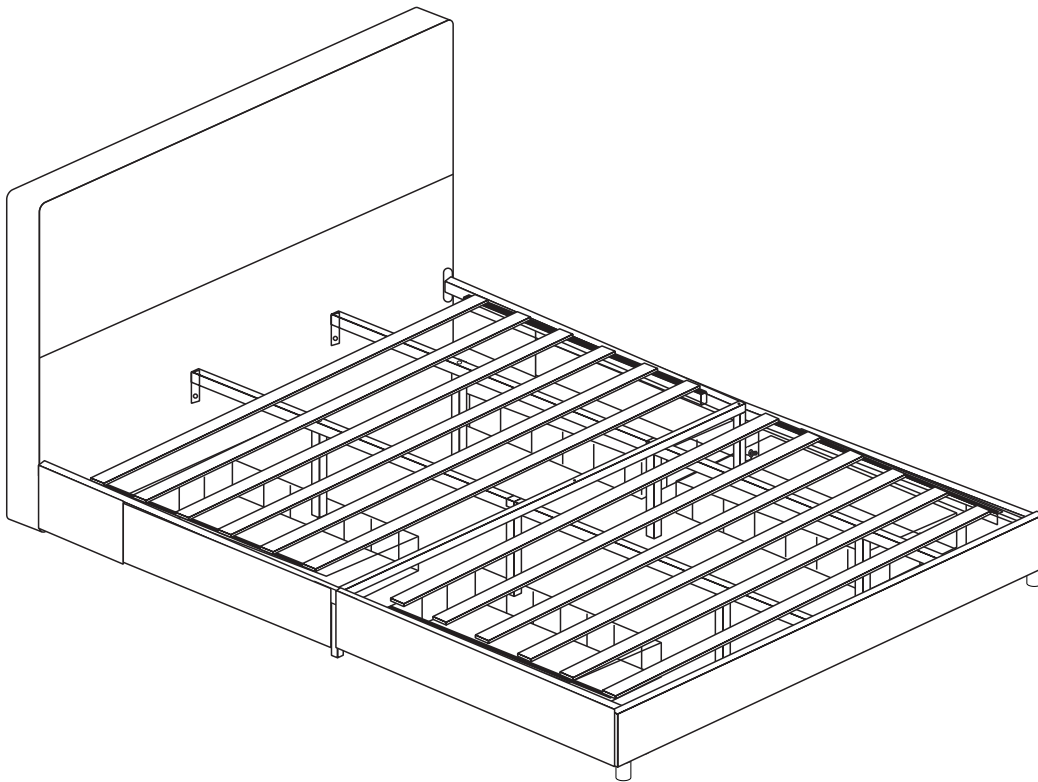
Content: Name-XXX

Order ID Number: xxx-xxxxxxx-xxxxxxx

Once again, we would like to express our gratitude to you for choosing our product. Your trust and support mean the world to us. We look forward to continuing to provide you with the best products and services possible.

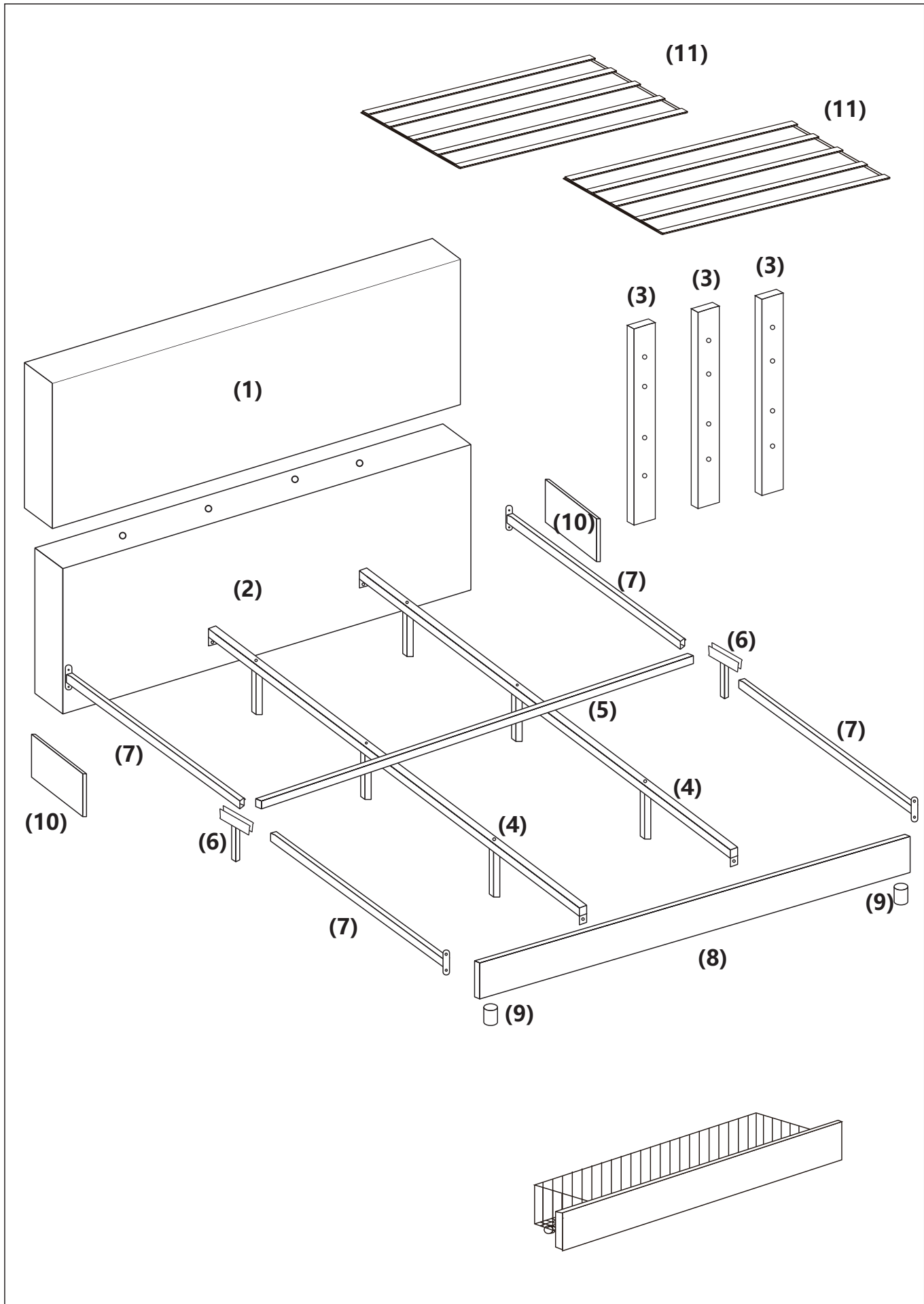
Best Regards,

Customer Service Team

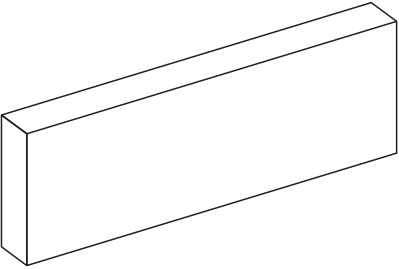
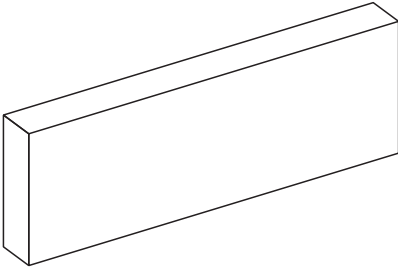
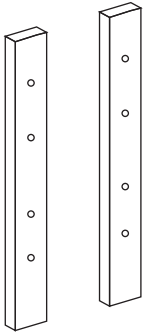
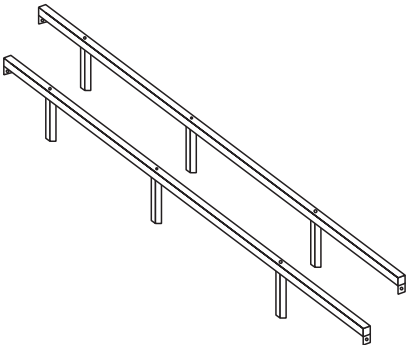

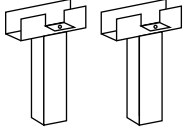
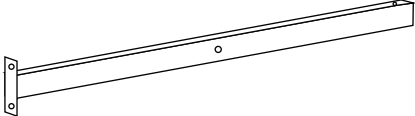
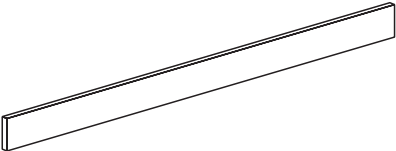

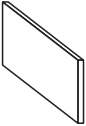



## IMPORTANT NOTE

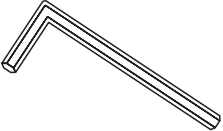
1. Please check that all parts are complete before installation.
2. Please strictly follow the installation steps to install.
3. Please install the bed on a clean and smooth surface to prevent any damage.
4. Please do not use the power tools to assemble the bed.
5. Please periodically check all the fittings and re-tighten as necessary.
6. Please do not use the bed unless all bolts and screw are firmly secured.
7. Please contact us if you need any help, we will reply you in six hours.



# PART LIST

<p>(1)</p> 	<p>(2)</p> 	<p>(3)</p> 
<p>(4)</p> 	<p>(5)</p> 	<p>(6)</p> 
<p>(7)</p> 	<p>(8)</p> 	<p>(9)</p> 
<p>(10)</p> 	<p>(11)</p> 	

# PART LIST

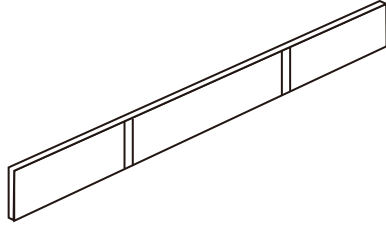
<p>(H1) Bolt M8x50mmX4pcs          (H2) Bolt M8x45mmX2pcs          (H3) Bolt M8x40mmX6pcs          (H4) Bolt M8x20mmX12pcs          (H5) Bolt M8x35mmX20pcs          (H6) Bolt M6x15mmX20pcs          (H7) Bolt M6x40mmX4pcs          (H8) Bolt M6x17mmX4pcs</p> 	<p>(H2) Allen Key M5 x1pc          (Installation tool)</p> 	
--	--	--

# PART LIST

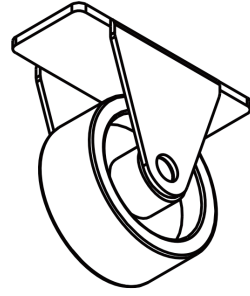
Q Drawer bottom plate x 1pcs



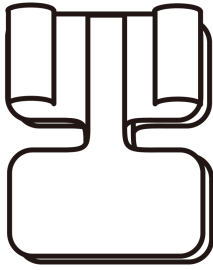
W Drawer panel x 1pcs



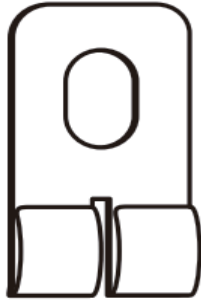
E Casters x 4pcs



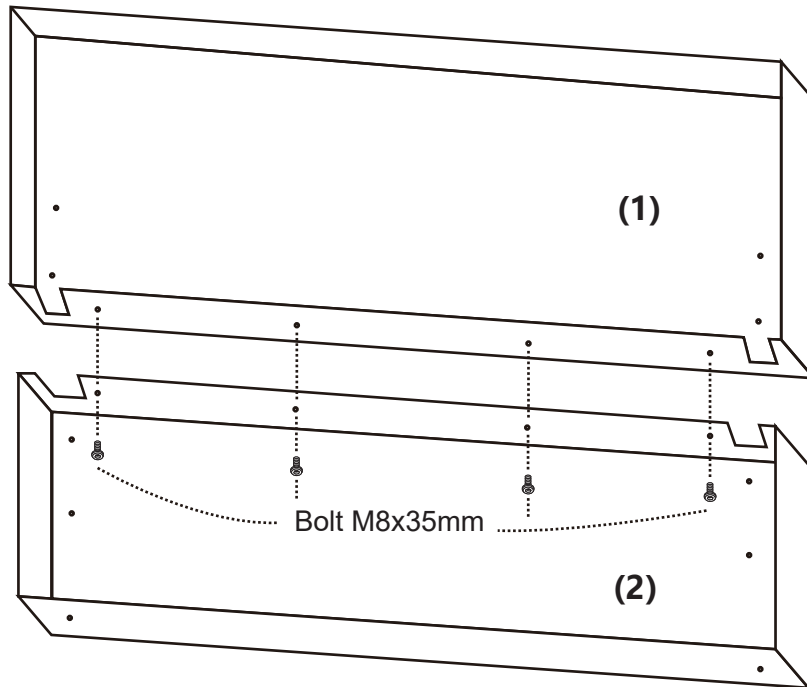
R



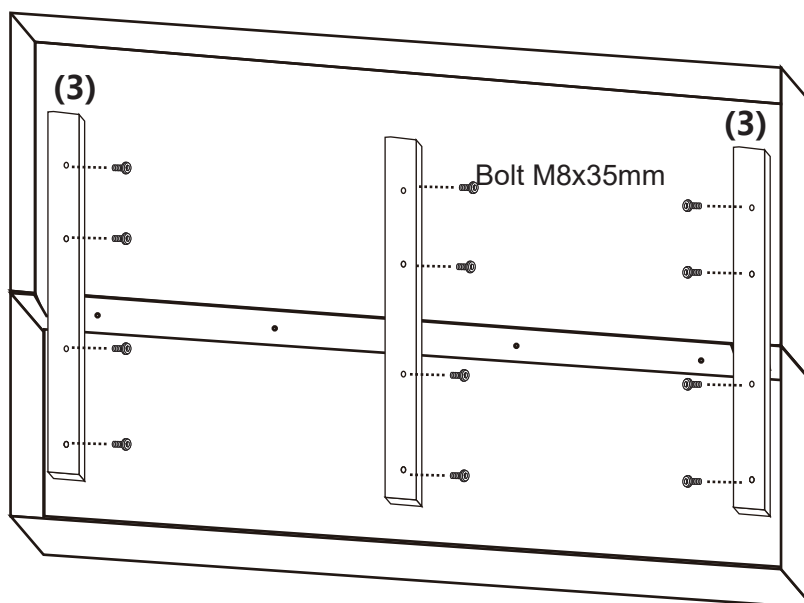
T



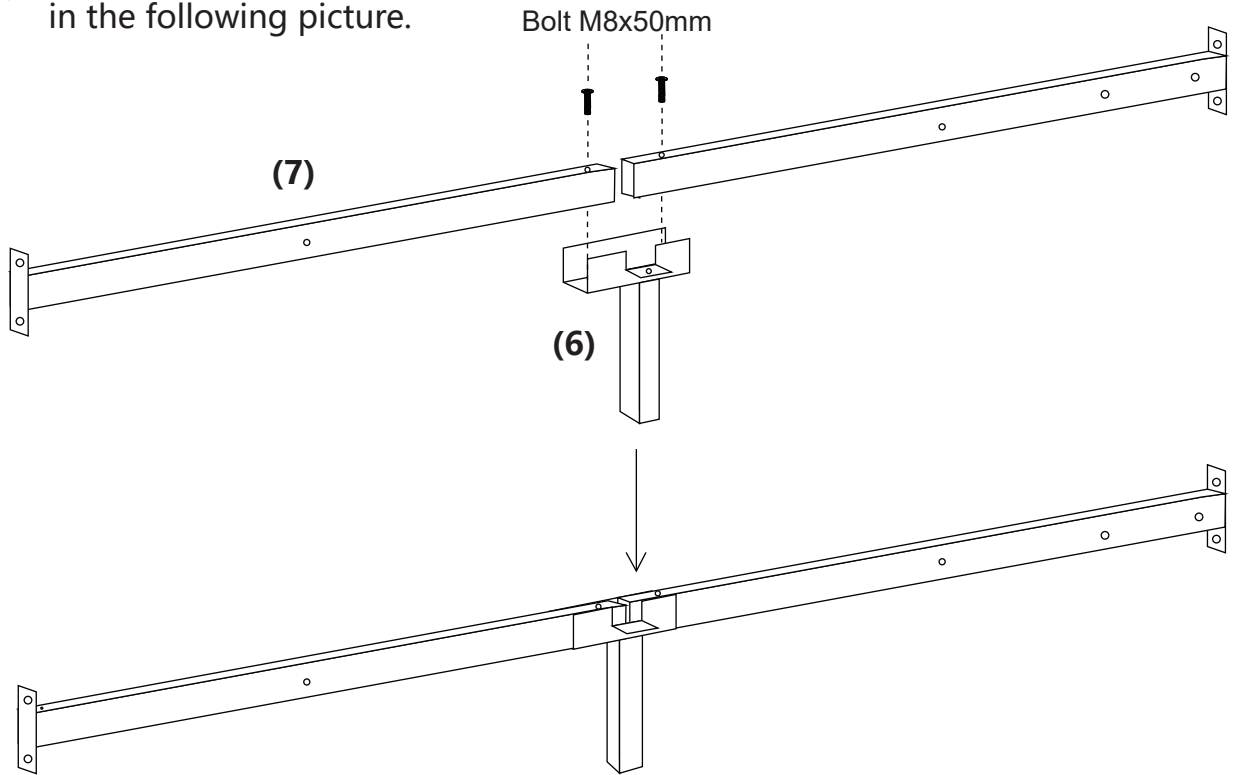
Step 1 Tighten accessory 1 and accessory 2 with the corresponding screws as shown in the following picture.



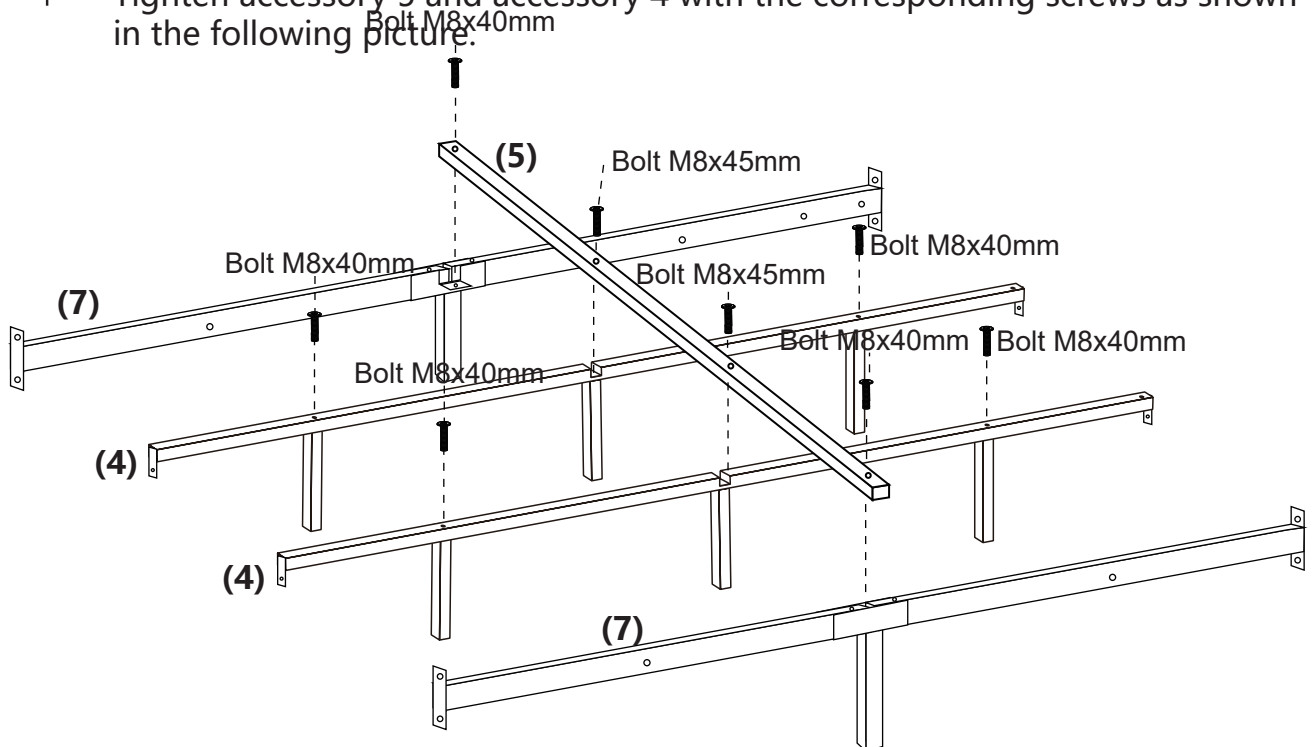
Step 2 Place accessory 3 as shown in the following picture and tighten it with screws.



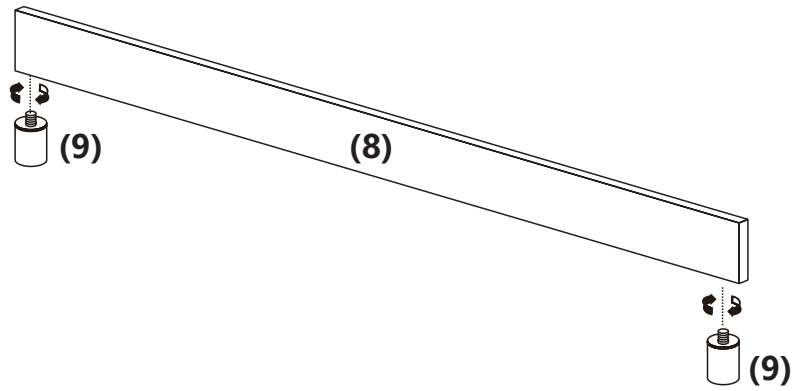
Step3 Tighten accessory 6 and accessory 7 with the corresponding screws as shown in the following picture.



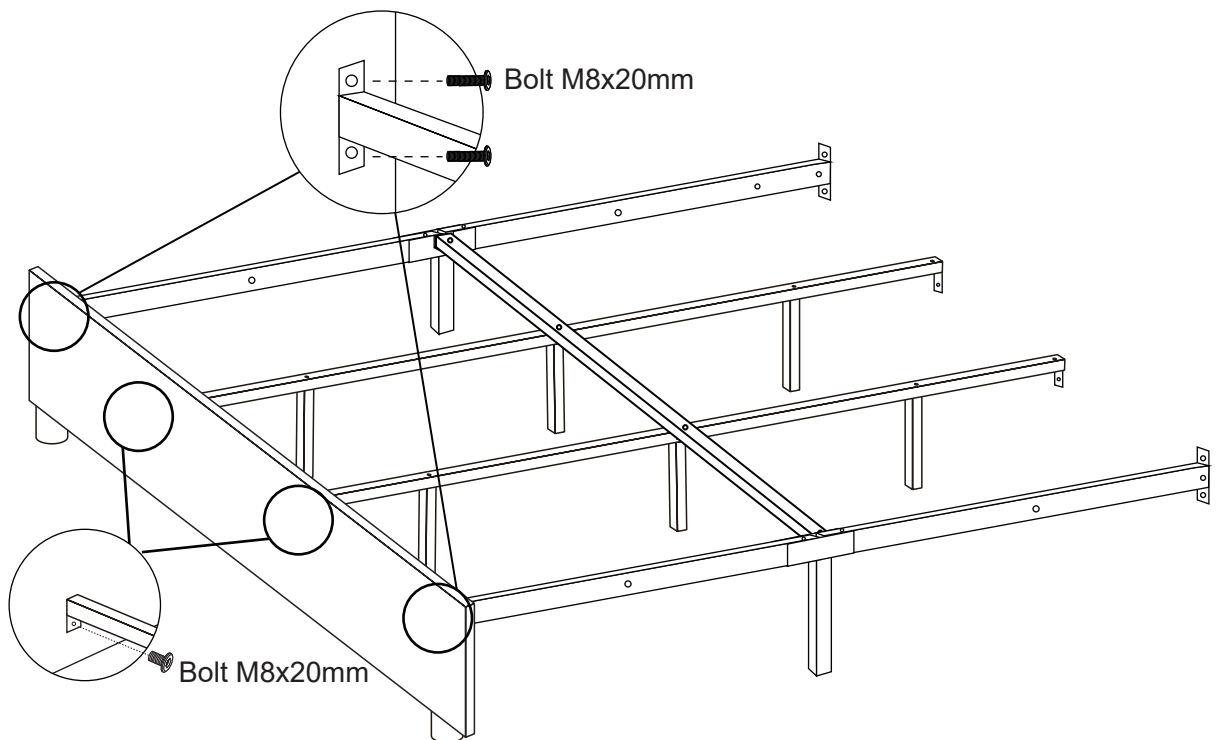
Step 4 Tighten accessory 5 and accessory 4 with the corresponding screws as shown in the following picture.



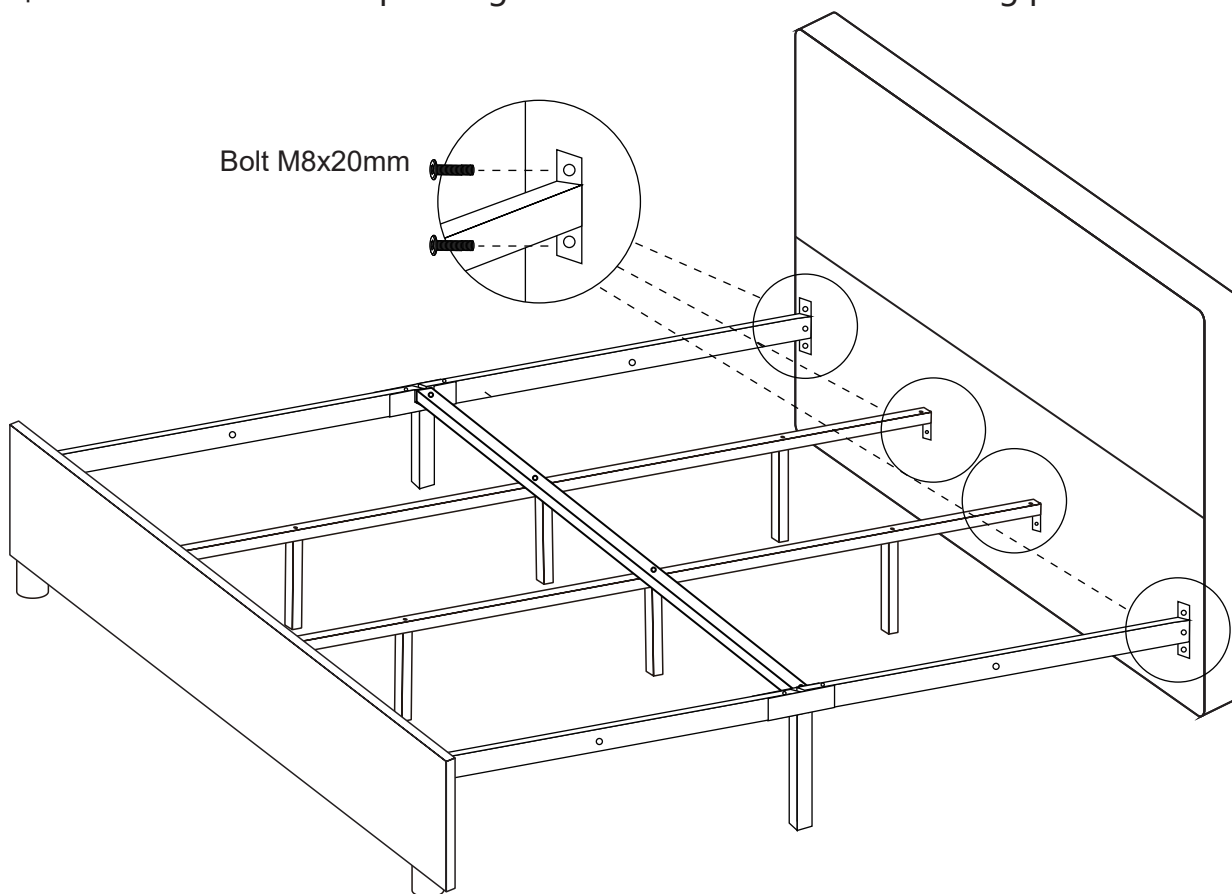
Step 5 Screw part 9 into place under part 8.



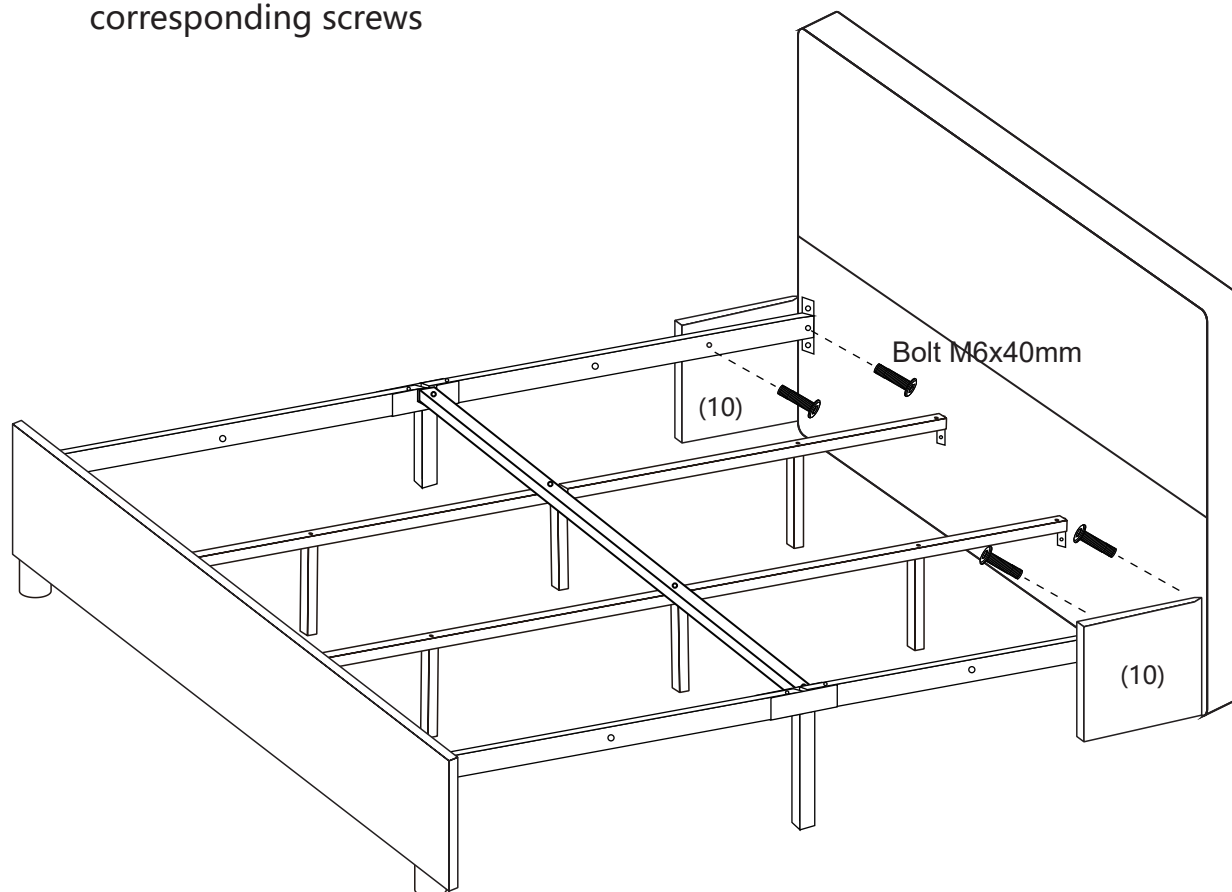
Step 6 Screw in the corresponding screws as shown in the following picture



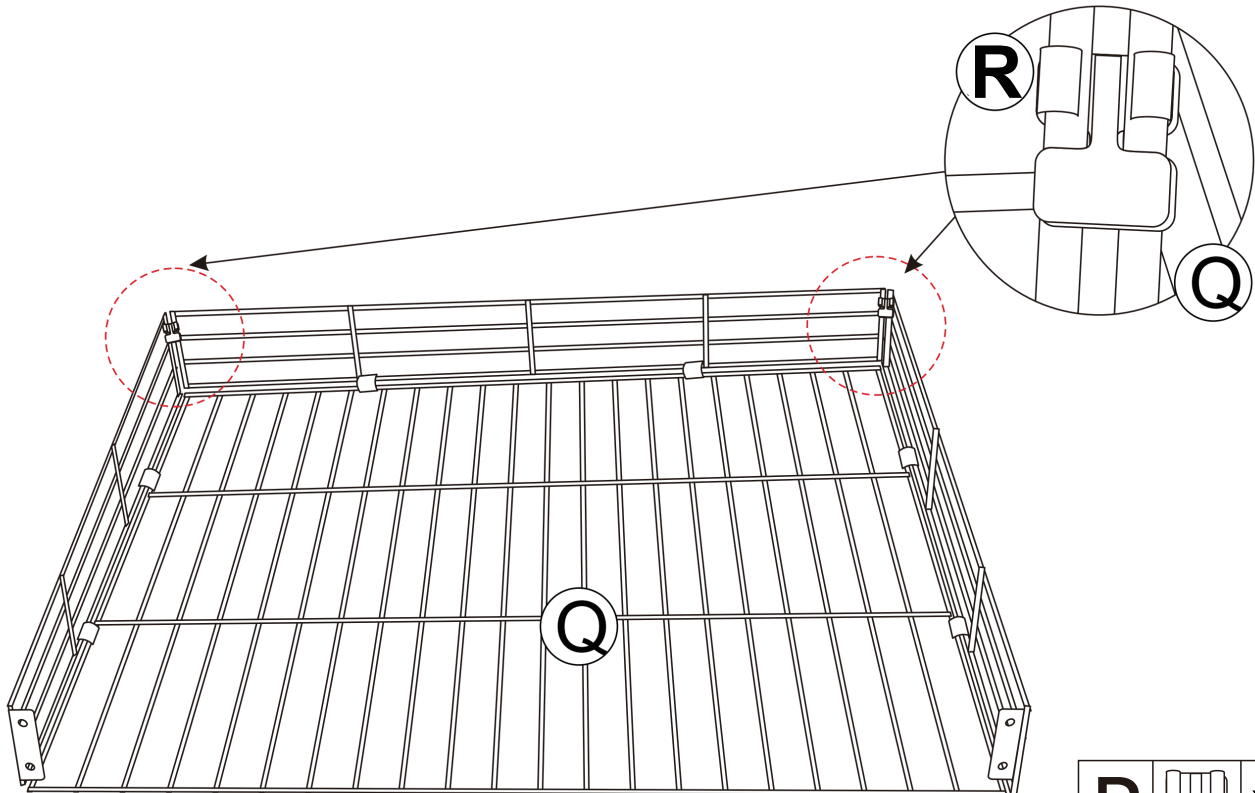
Step 7 Screw in the corresponding screws as shown in the following picture



Step 8 Insert accessory 10 as shown in the following picture and screw in the corresponding screws

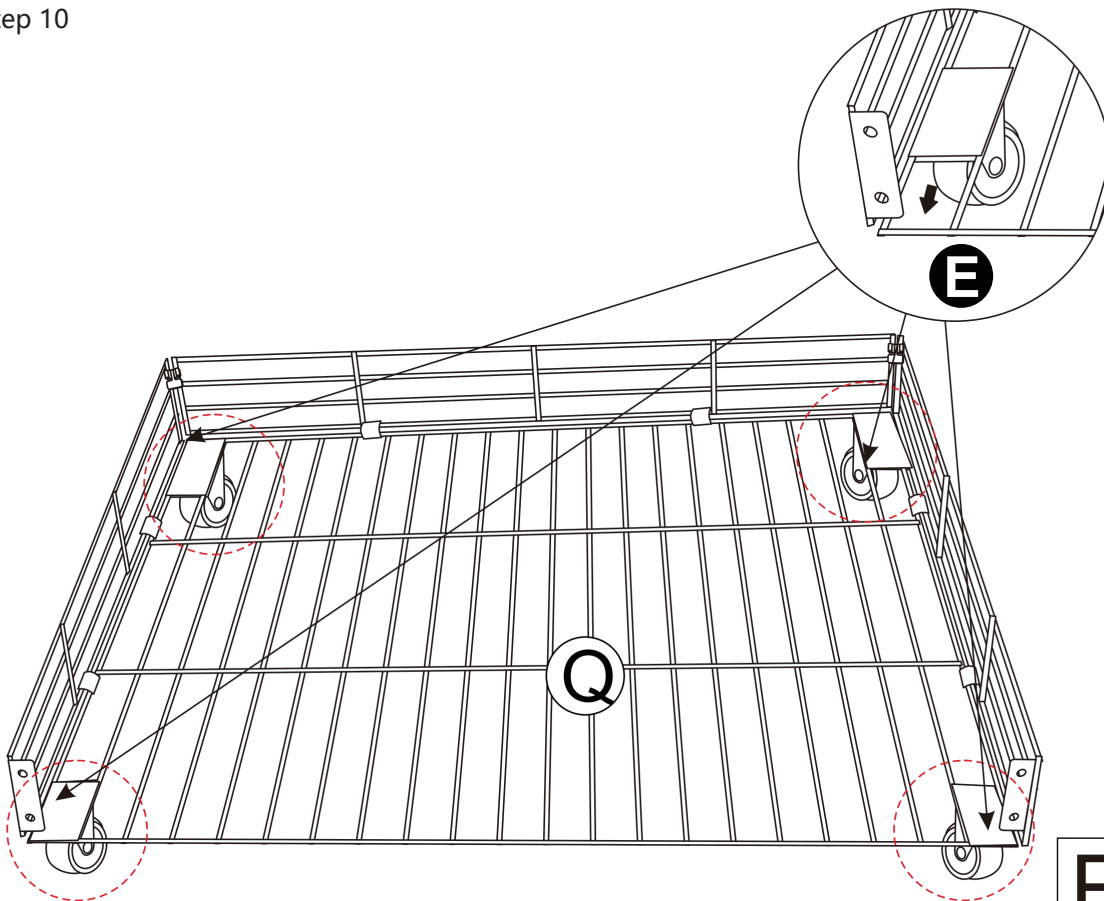


Step 9



R  X2

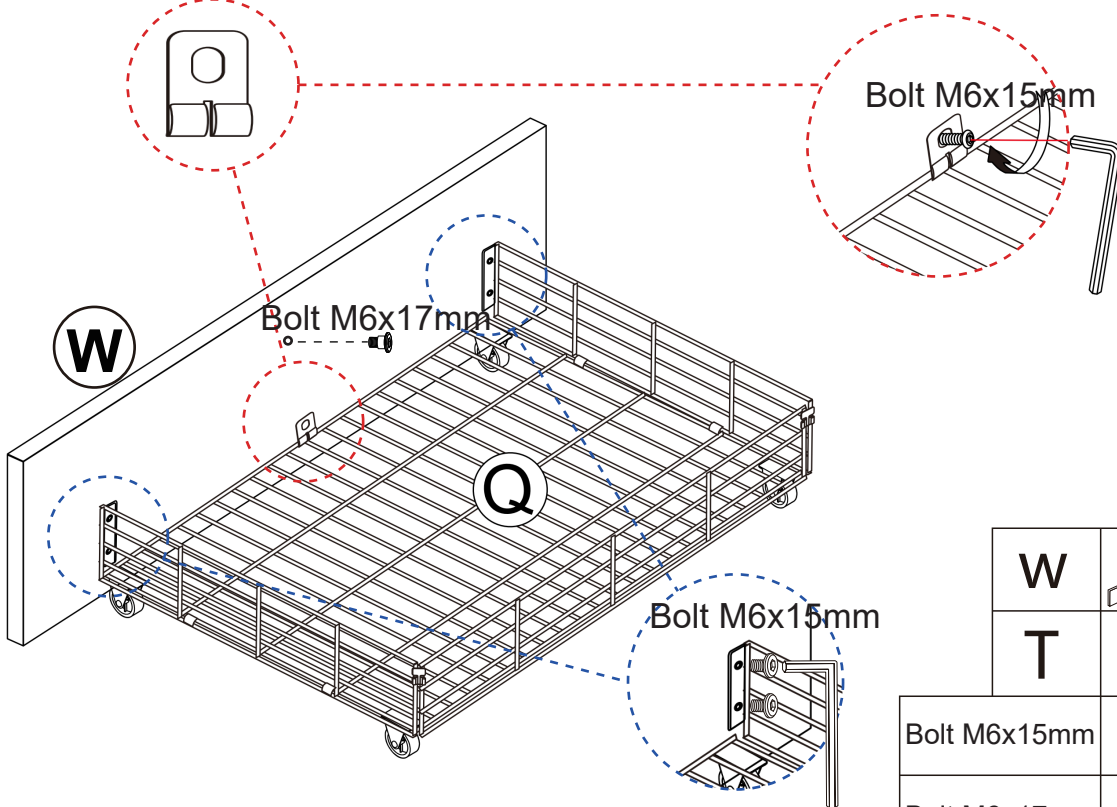
Step 10

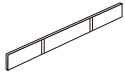

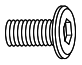



E  X4

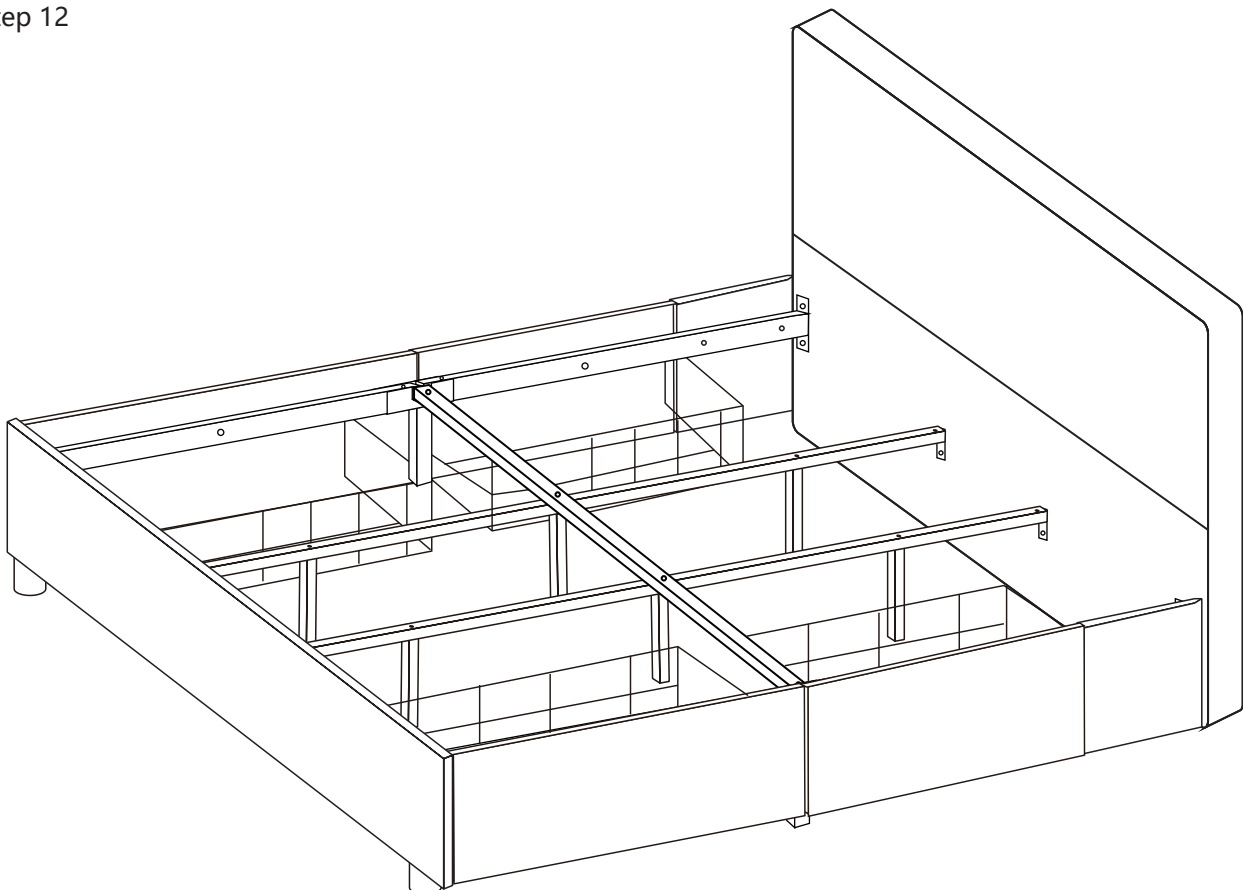
Step 11

**T** X 1

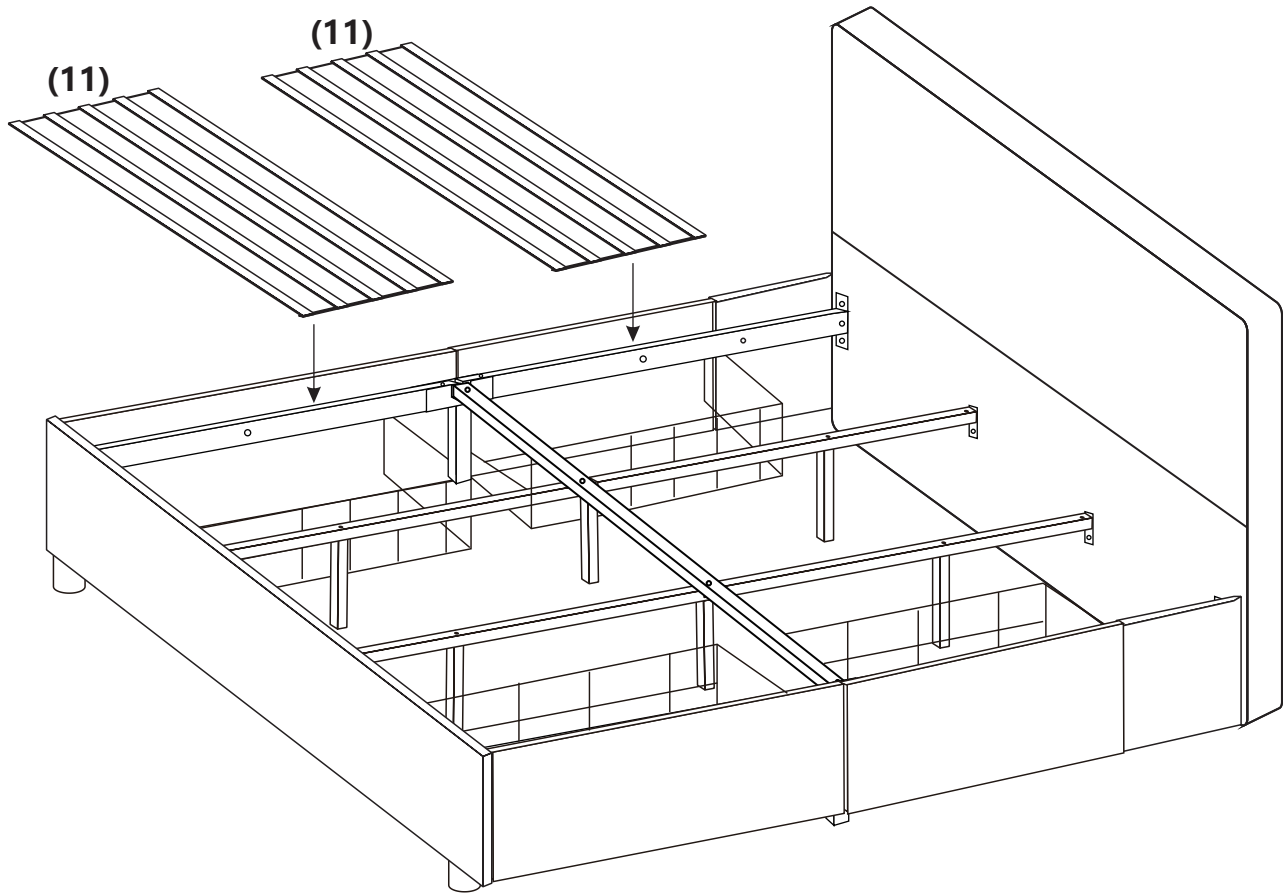


<b>W</b>		<b>X 1</b>
<b>T</b>		<b>X 1</b>
Bolt M6x15mm		<b>X 5</b>
Bolt M6x17mm		<b>X 1</b>

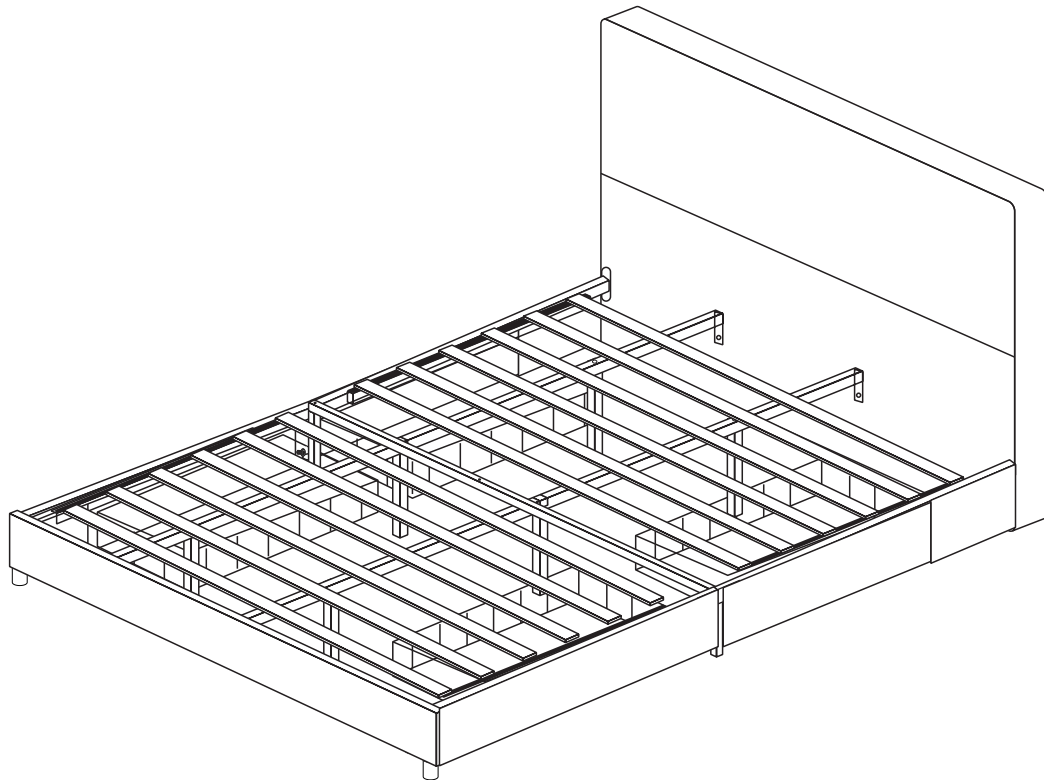
Step 12

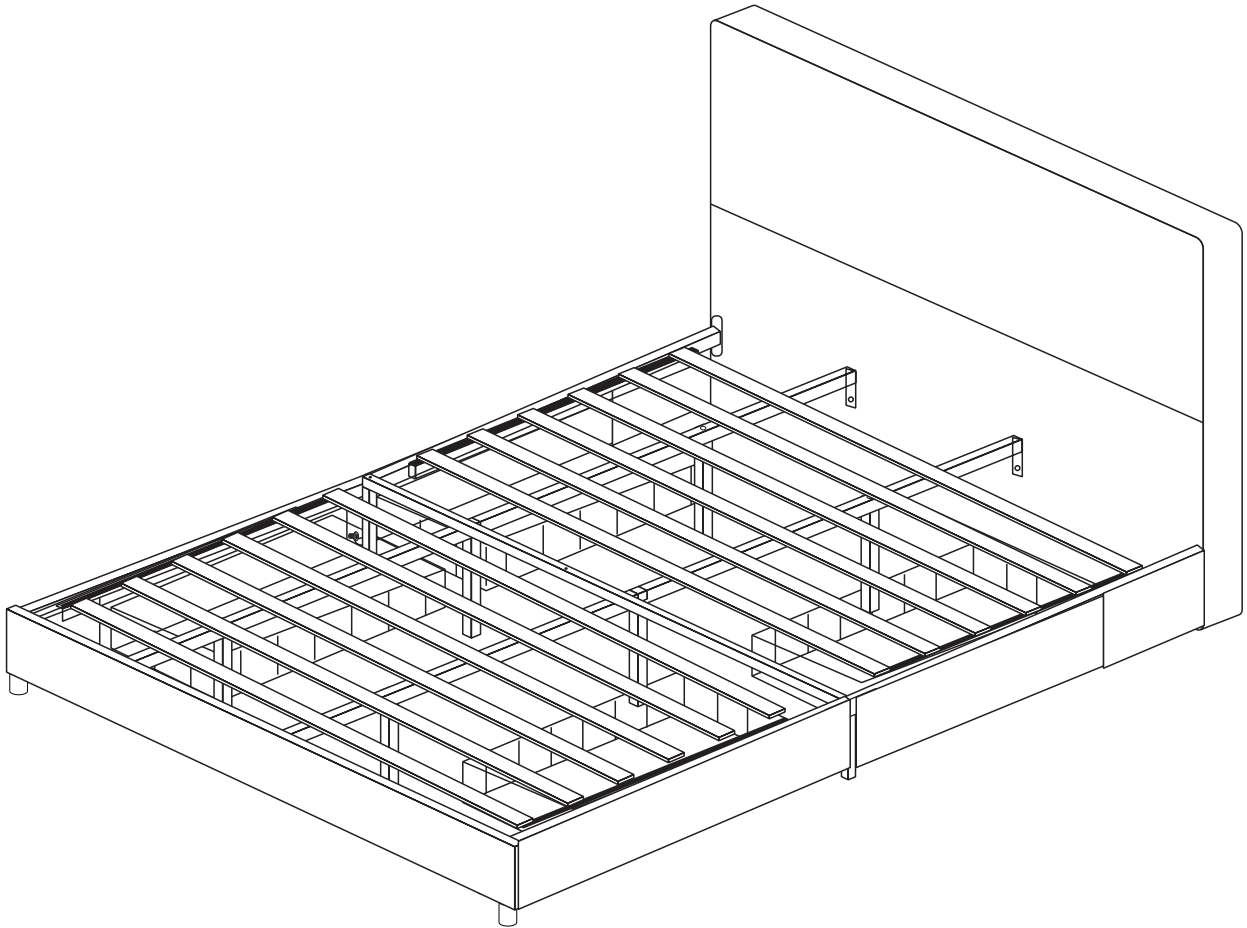


Step 13 Open up accessory 11



Step 14





**Job complete!**

In the interest of our environment, please dispose  
of all packaging thoughtfully, thanks!