

# ASSEMBLY AND INSTALLATION INSTRUCTIONS

**WARNING:** TO AVOID RISK OF ELECTRICAL SHOCK, BE SURE TO SHUT OFF POWER WHILE INSTALLING OR SERVICING THIS FIXTURE.

**NOTE:** Before installing, consult local electrical codes for wiring and grounding requirement.

1. Shut off the power at the circuit breaker and remove existing fixture, including the mounting hardware.
2. Carefully unpack your new fixture and lay out all the parts on a clear area. Be careful not to lose any small parts necessary for installation.
3. Install the mounting plate onto the outlet box by strap mounting screw.
4. Now connect the electrical wires as follows: Connect the black wire from the fixture to the black house (hot) wire. Connect the white wire from the fixture to the white (neutral) house wire. Make sure all wire nuts are secured. You may wrap the connections with electrical tape. If your outlet has a ground wire (green or bare copper), connect fixture ground wire directly to the mounting plate using the green screw provided. Tuck the wire connections neatly into the outlet box.
5. Thread hex nut onto threaded pipe so that 5 threads are exposed above chestnut. Thread that end of threaded pipe into mounting strap and tighten chestnut against mounting strap.
6. Put this fixture to mounting plate, tighten it with finial.
7. Install the bulb (not included). Please follow the wattage label located on the fixture body. Do not exceed the recommended wattage.
8. Install the glass shade and the outer cover on the fixture with screws.

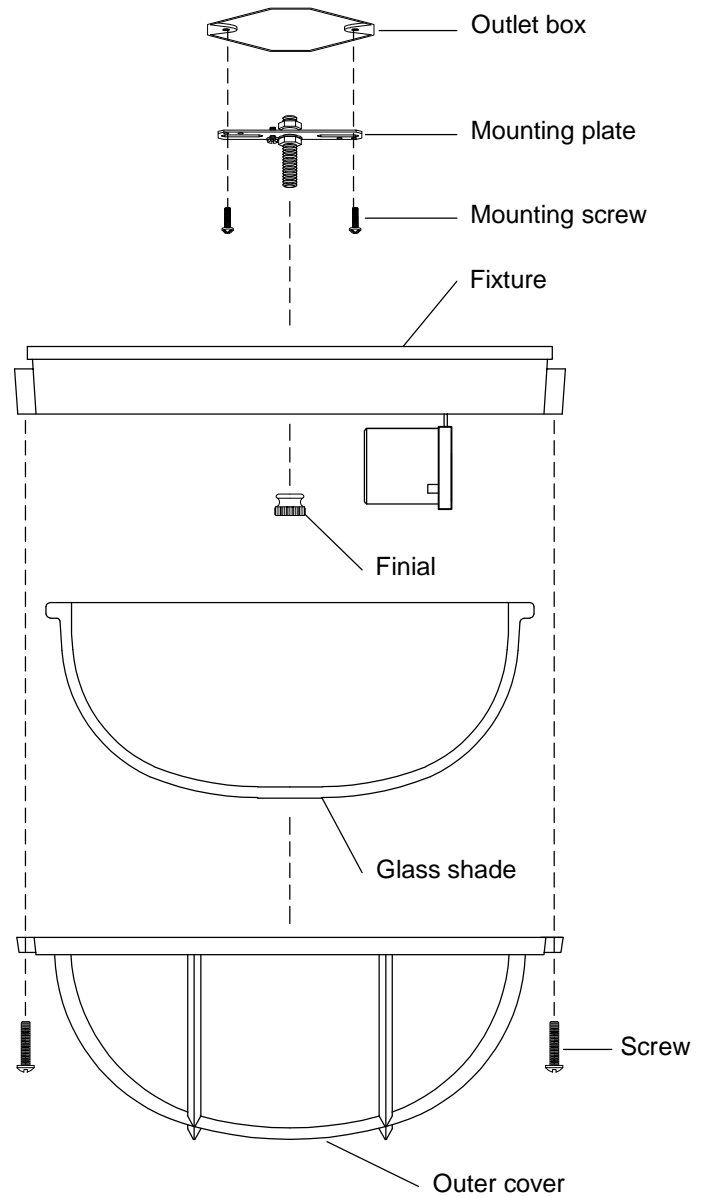



Fig.1

|   |                                      |  |
|---|--------------------------------------|--|
|  | Fixture Wires<br>Black or<br>Smooth  | House Wires<br>Black or<br>(Hot)                   |
|   | Fixture Wires<br>White or<br>Ribbed  | House Wires<br>White or<br>(Neutral)               |
|   | Fixture Wires<br>Bare or<br>(Ground) | House Wires<br>Green or Bare<br>Copper<br>(Ground) |