

CARE AND MAINTENANCE

Store outdoor furniture indoors or cover well when not in use.


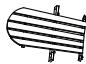
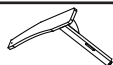



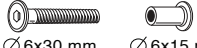
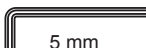
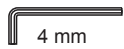
Remove wooden furniture from standing water. Dust regularly with small brush or vacuum

Spills should be taken care of immediately before they harden or stain with a slightly dampened sponge.

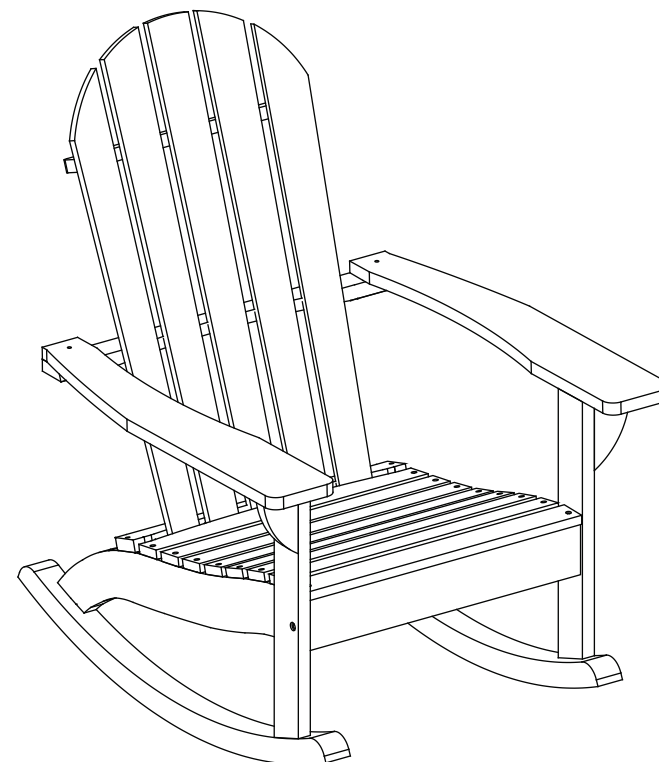
NOTICE

- * Please make sure that you have all parts indicated before you begin assembly of this item
- * This item should be assembled on a soft surface to prevent scratching the finish during assembly
- * This item may require periodic tightening

Part List and Hardware List

PIECE	DESCRIPTION	PICTURE	QUANTITY
A	Seat frame		1X
B	Back frame		1X
C	Leg frame		2X
D	Connection leg		2X
E	Screw -1	 M6x60	6X
F	Screw -2	 M6x40	2X
G	Allen bolt L	 Ø6x30 mm Ø6x15 mm	2X
H	Allen key	 5 mm	1X
K	Allen key	 4 mm	2X

Product Dimensions: 28,3" W x 32,7" D x 37,4" H



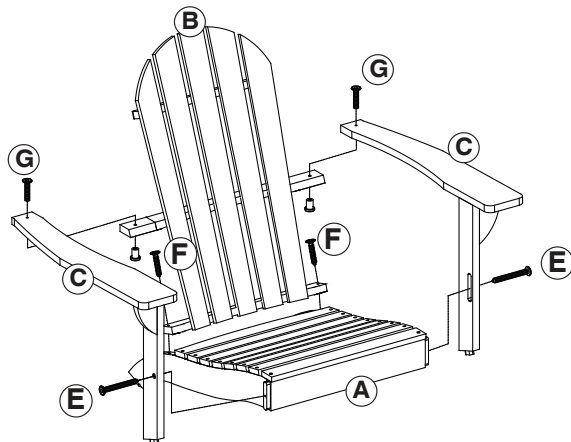
PREPARATION

Before beginning assembly of product, make sure all parts are present. Compare parts with package contents list and hardware contents list. If any part is missing or damaged, do not attempt to assemble the product.

Estimated Assembly Time: 30 minutes.

Tools Required for Assembly (included): Allen Key

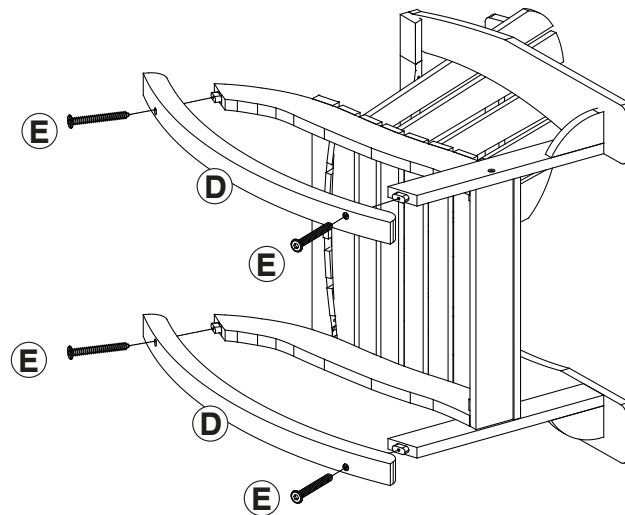
1



Step 1

Attach leg frame (C) to seat frame(A), use Screw -1(E), tighten with allen (H). Attach back frame(B) to seat frame(A), use Screw -2(F), tighten with allen(H) and Attach leg frame (C) to back frame(B), use bolt -1(G), tighten with allen (H)

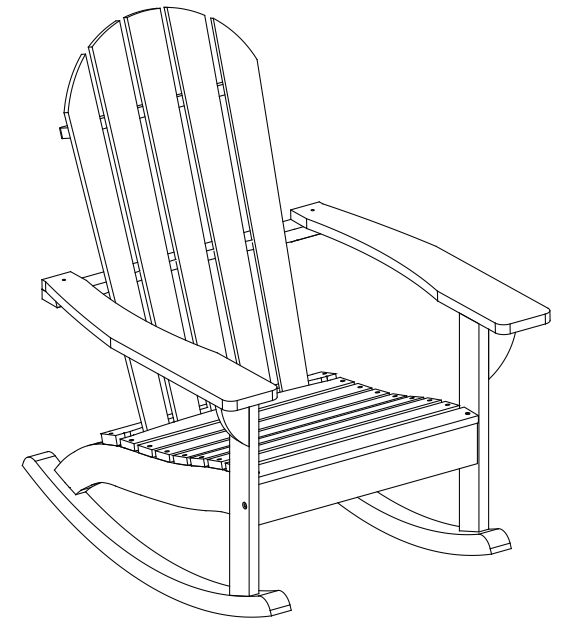
2



Step 2

Attach Connection leg (D) to leg frame (C) and seat frame(A), use Screw -1(E), tighten with allen (H)

3



Step 3

Complete