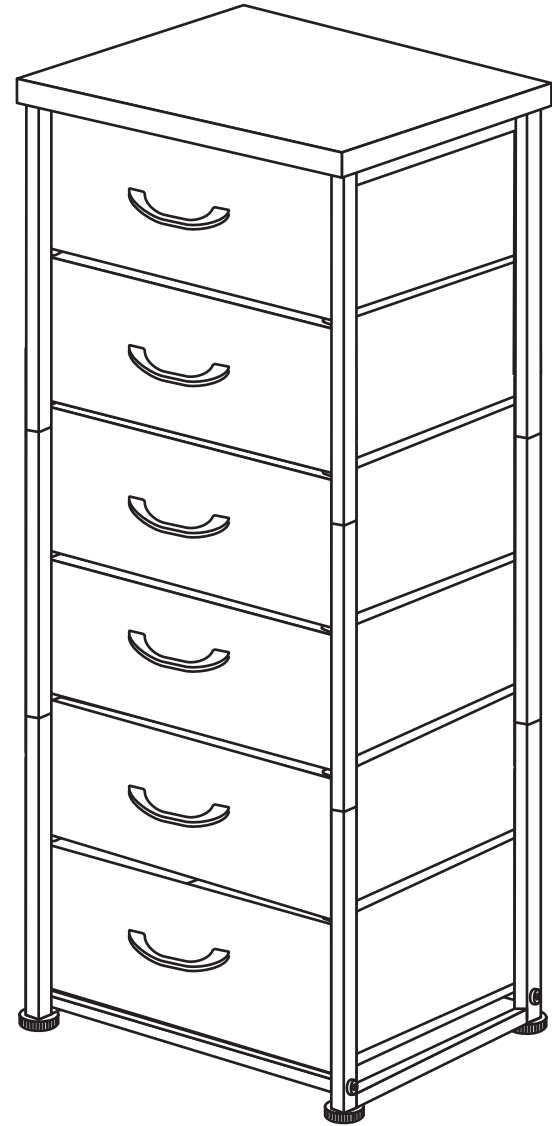


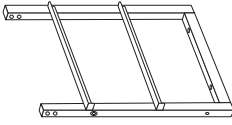
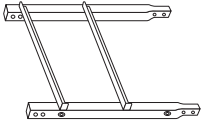
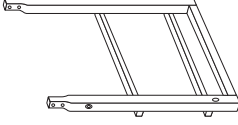
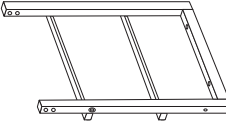
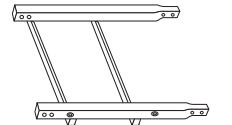
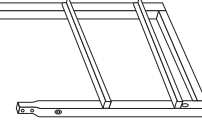
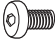
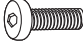
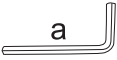
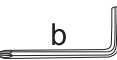


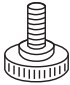

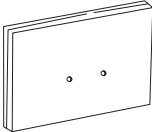
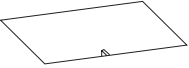


sorbus[®]
Make Yourself at Home

sorbus[®]
Make Yourself at Home



6 Drawer Storage
Assembly Instructions

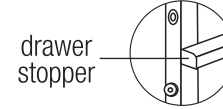
Product Parts

A Top Right Frame  1PC	B Middle Right Frame  1PC	C Bottom Right Frame  1PC	D Top Left Frame  1PC
E Middle Left Frame  1PC	F Bottom Left Frame  1PC	G Short Screw  24PCS	H Long Screw  8PCS
I Hex Key   1PC	J Drawer Top  1PC	K Frame Pole  2PCS	L Frame Screw  4PCS
M Rear Bar  2PCS	N Drawer Insert  6PCS	O Drawer  6PCS	P Handle Screw  12PCS Q Handle  6PCS

Thank you for your purchase. Please reference assembly instructions before use. Make sure all parts are present and place them side by side for easy identification.

Step 1

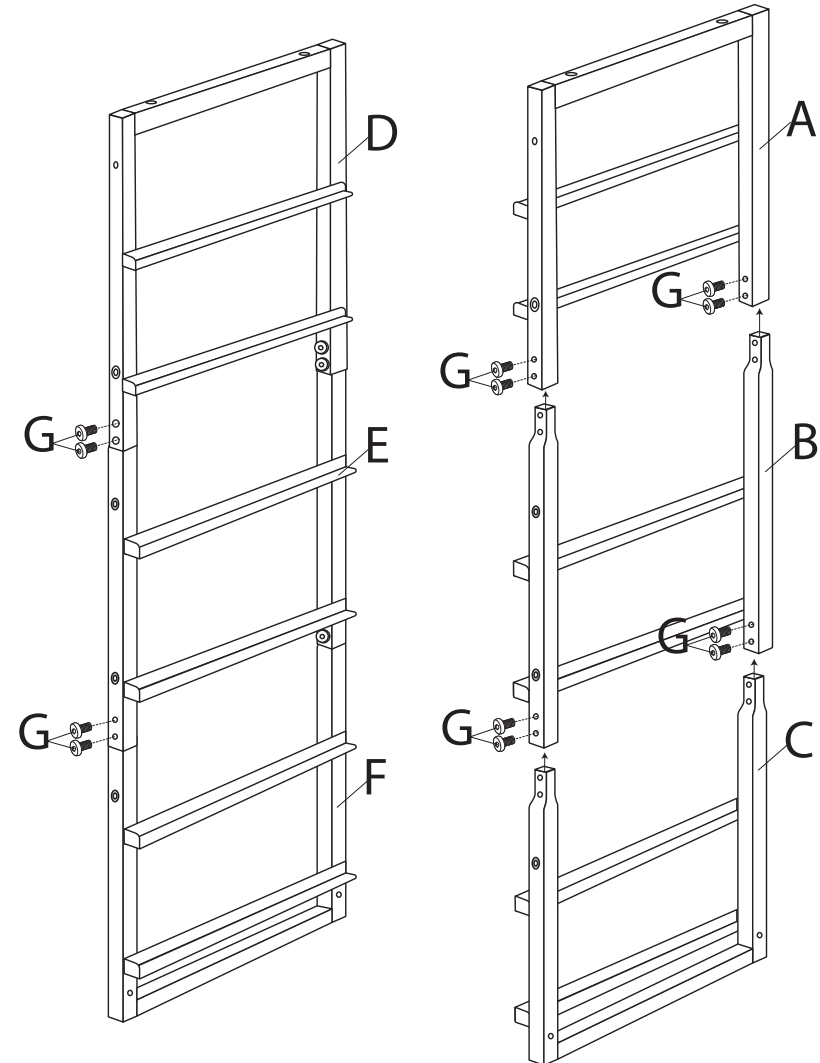
Please note:



*For this step make sure the frames are facing the correct direction with the frame's drawer stoppers facing inwards to ensure the drawers will slide into the frame.


Gx16

Iax1



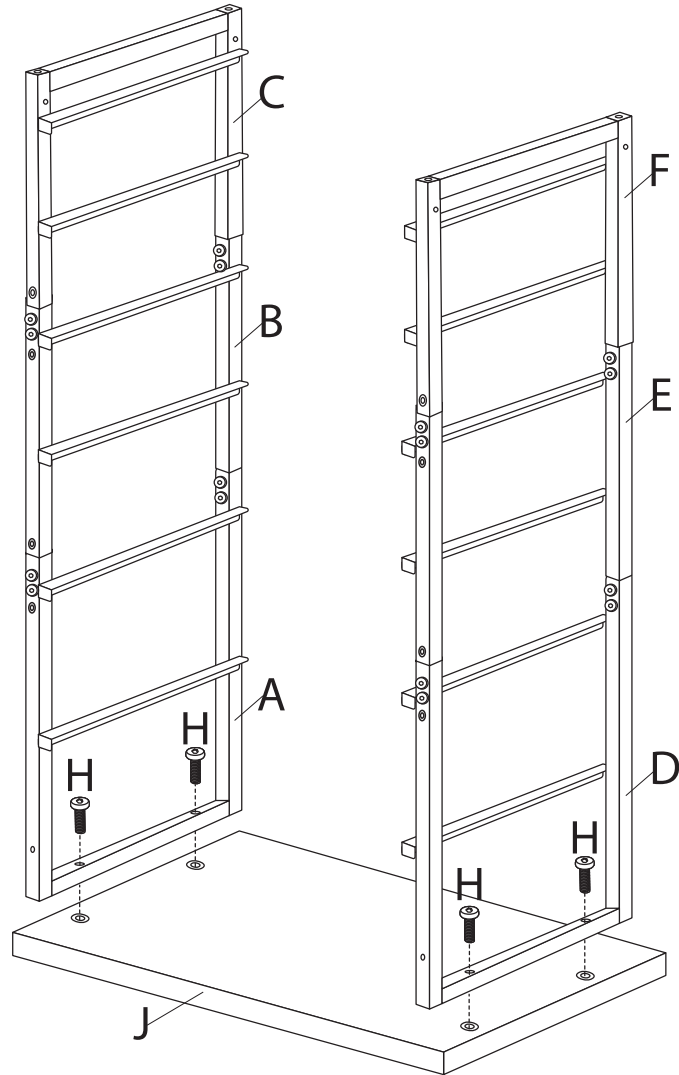
Step 1: Connect top right frame (A) to middle and bottom right frames (B,C)* as shown. Secure with short screw (G) and tighten with hex key (Ia). Repeat with top, middle and bottom left frames (D,E,F)

Step 2

Please note:



*For this step make sure the frames are facing the correct direction with the frame's drawer stoppers facing inwards to ensure the drawers will slide into the frame.

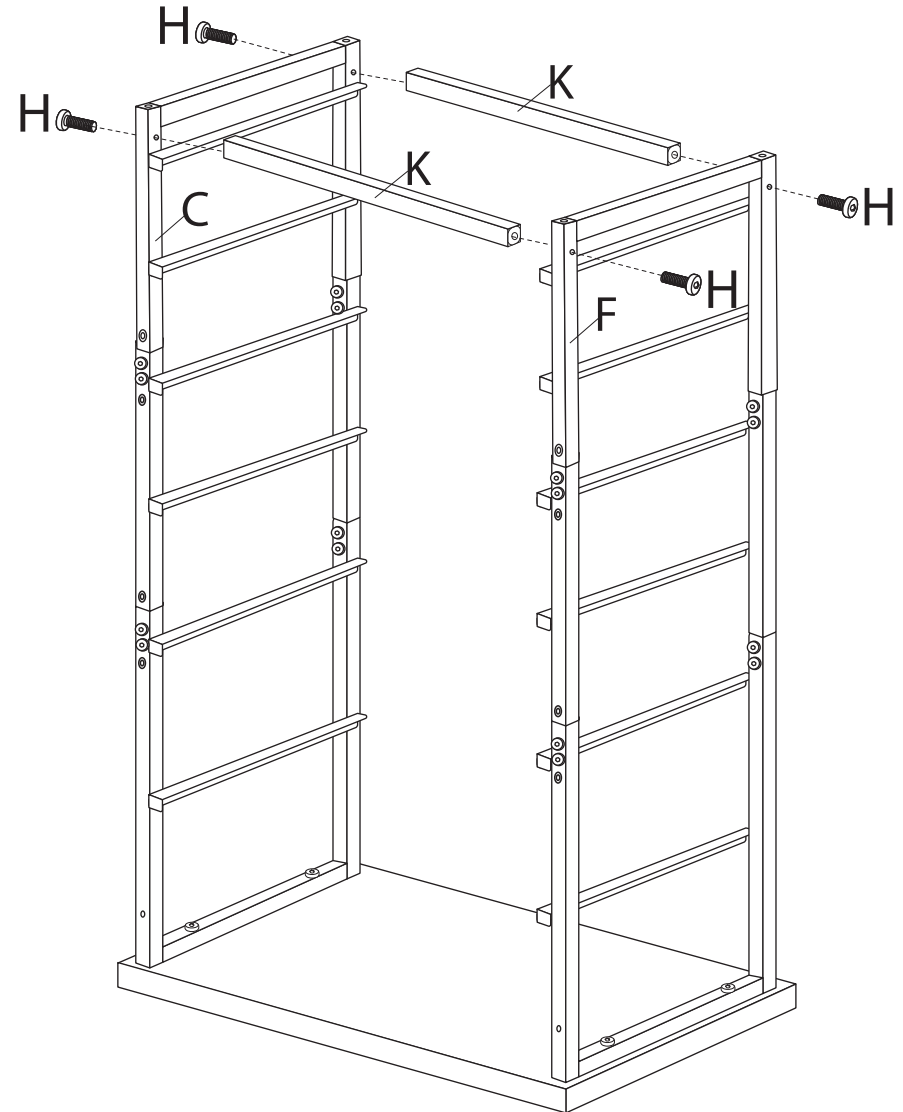


Step 2: Flip and place assembled frames (A,B,C,D,E,F)* over drawer top (J) and secure with long screws (H) and hex key (Ia).

Hx4
Iax1

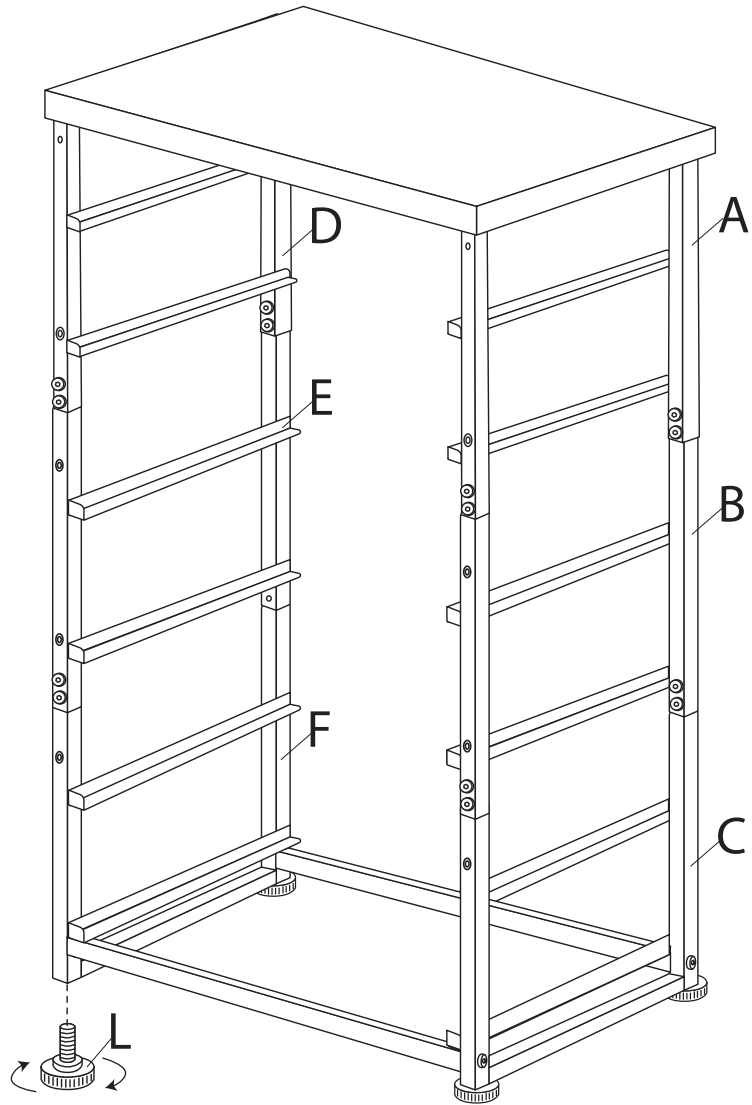
Step 3

Hx4
Iax1



Step 3: Connect frame poles (K) to frames (C,F)* and secure with long screws (H) and hex key (Ia).

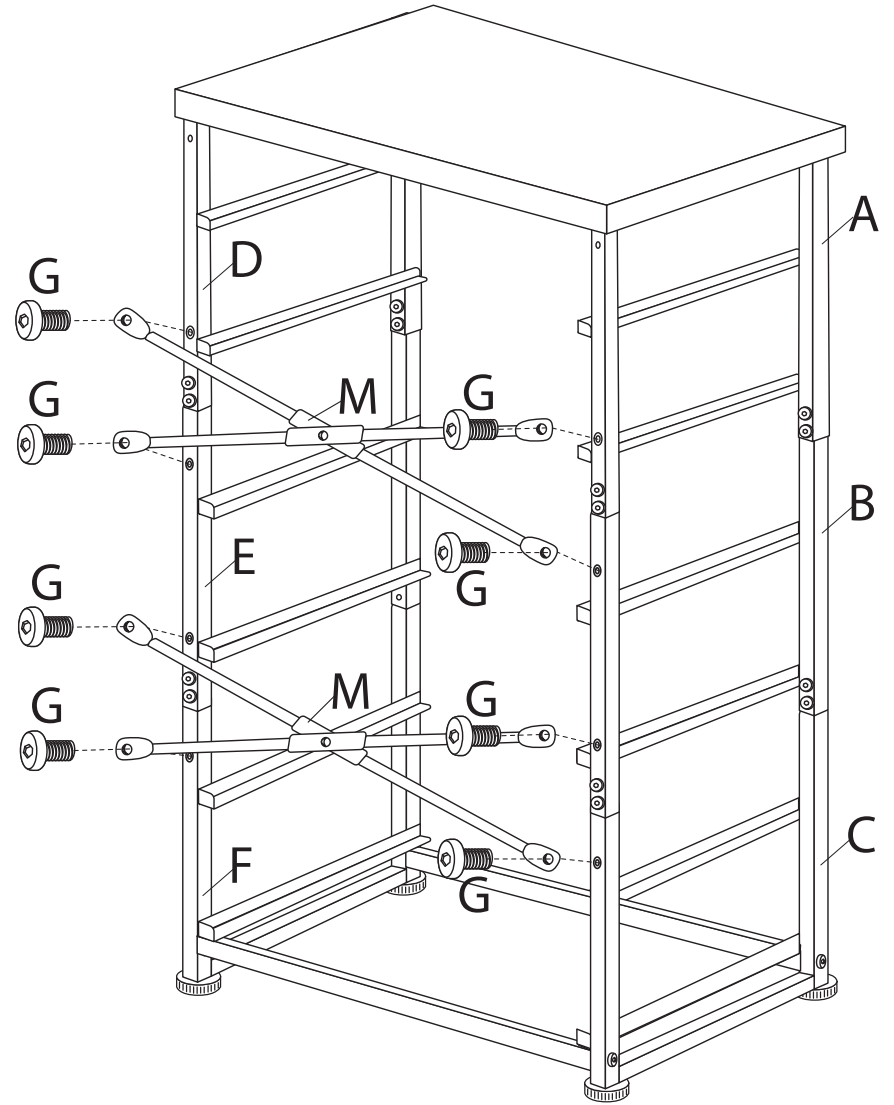
Step
4



Step 4: Screw frame screws (L) into the legs of the assembled frame.



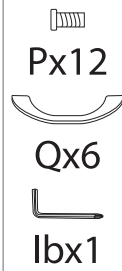
Step
5



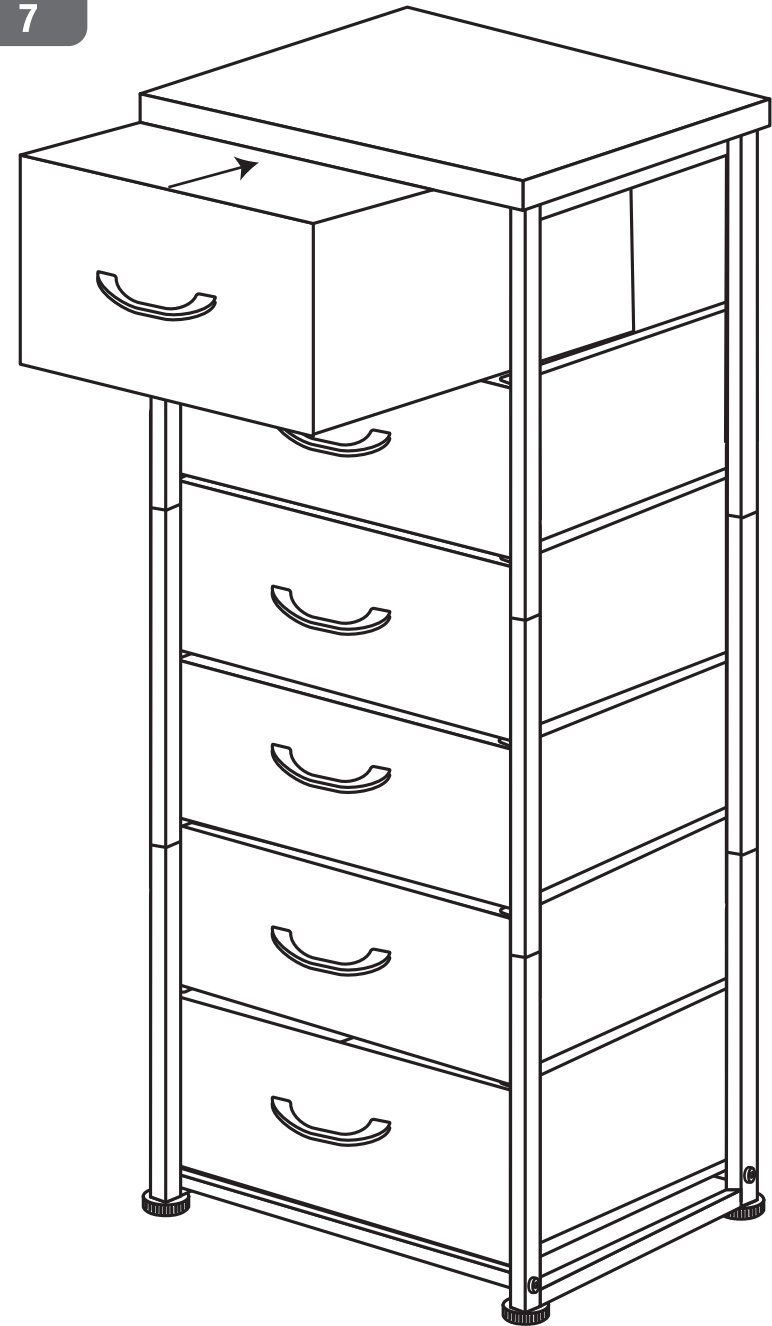
Step 5: Unfold rear bar (M) then place over assembled frame secure with short screws (G) using the hex key (la).



Step
6



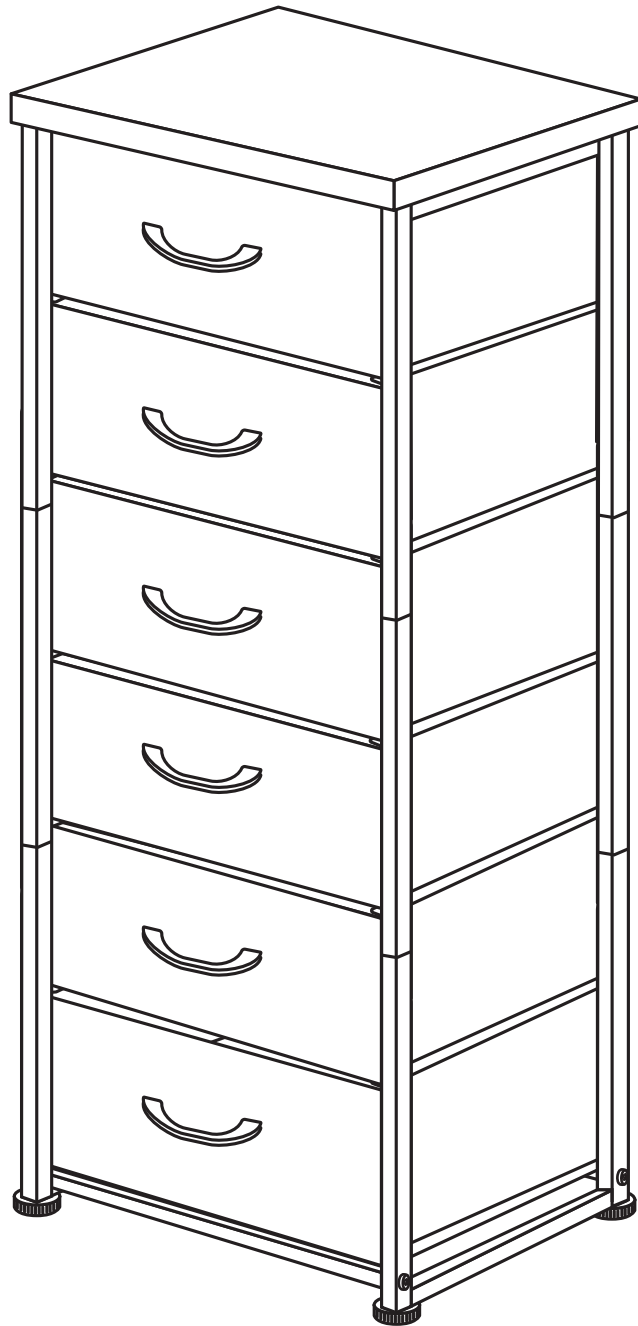
Step
7



Step 6: Unfold drawers (N), place drawer insert (O) inside. Secure handle (Q) and handle screws (P) to the drawers (N) using hex key (lb).

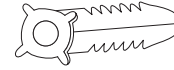
Step 7: Insert drawers within assembled storage dresser.

**Step
8**



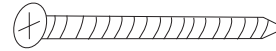
Step 8: After making sure everything is screwed in tightly, you can start to use the assembled piece. Enjoy!

A Wall Anchor



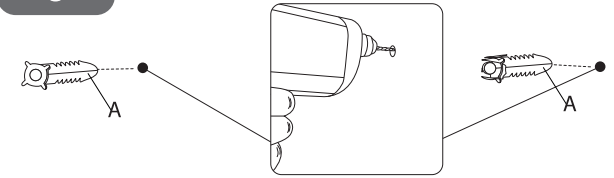
2PCS

B Wall Mount Screw



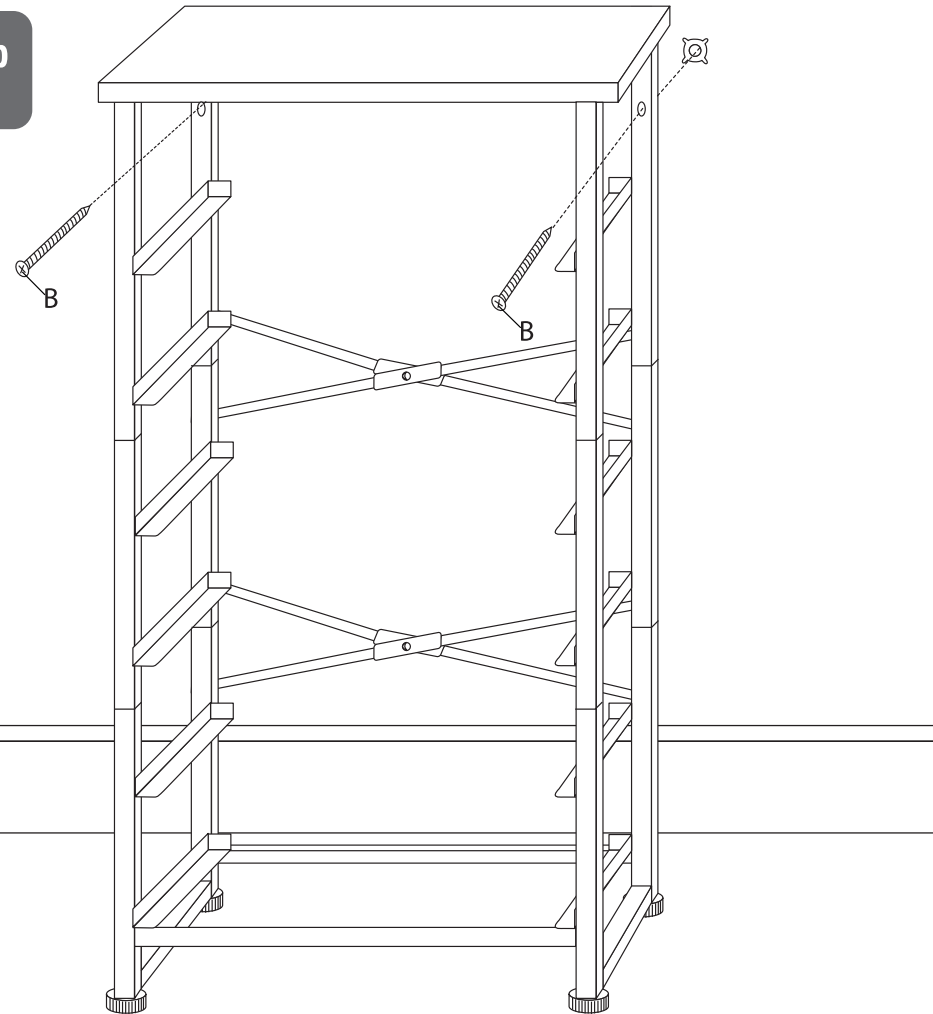
2PCS

**Step
9**



Step 9: Drill a hole into the wall using a 6mm bit and gently insert the wall anchor (A) with the help of a hammer.

**Step
10**



Step 10: Place the shelf against the wall, and insert the wall mount screws (B). After making sure everything is secure, feel free to use. Enjoy!