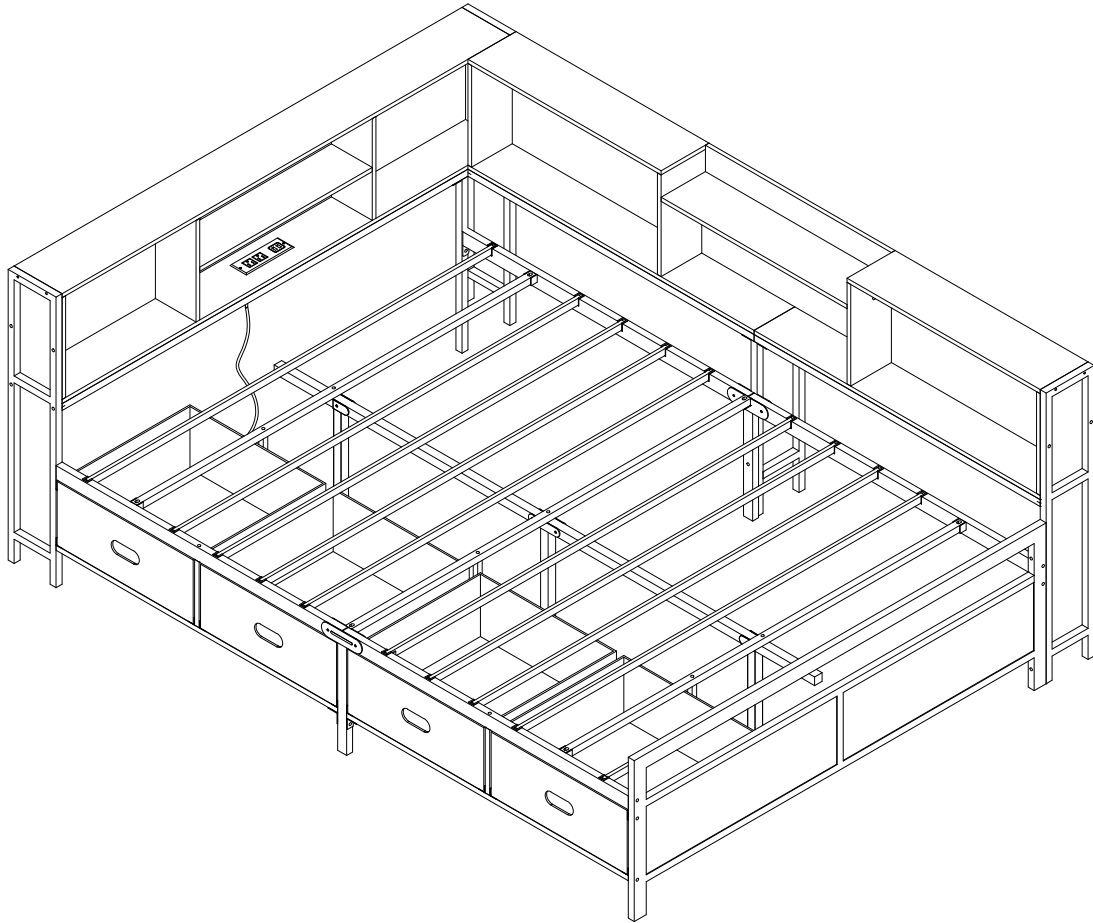
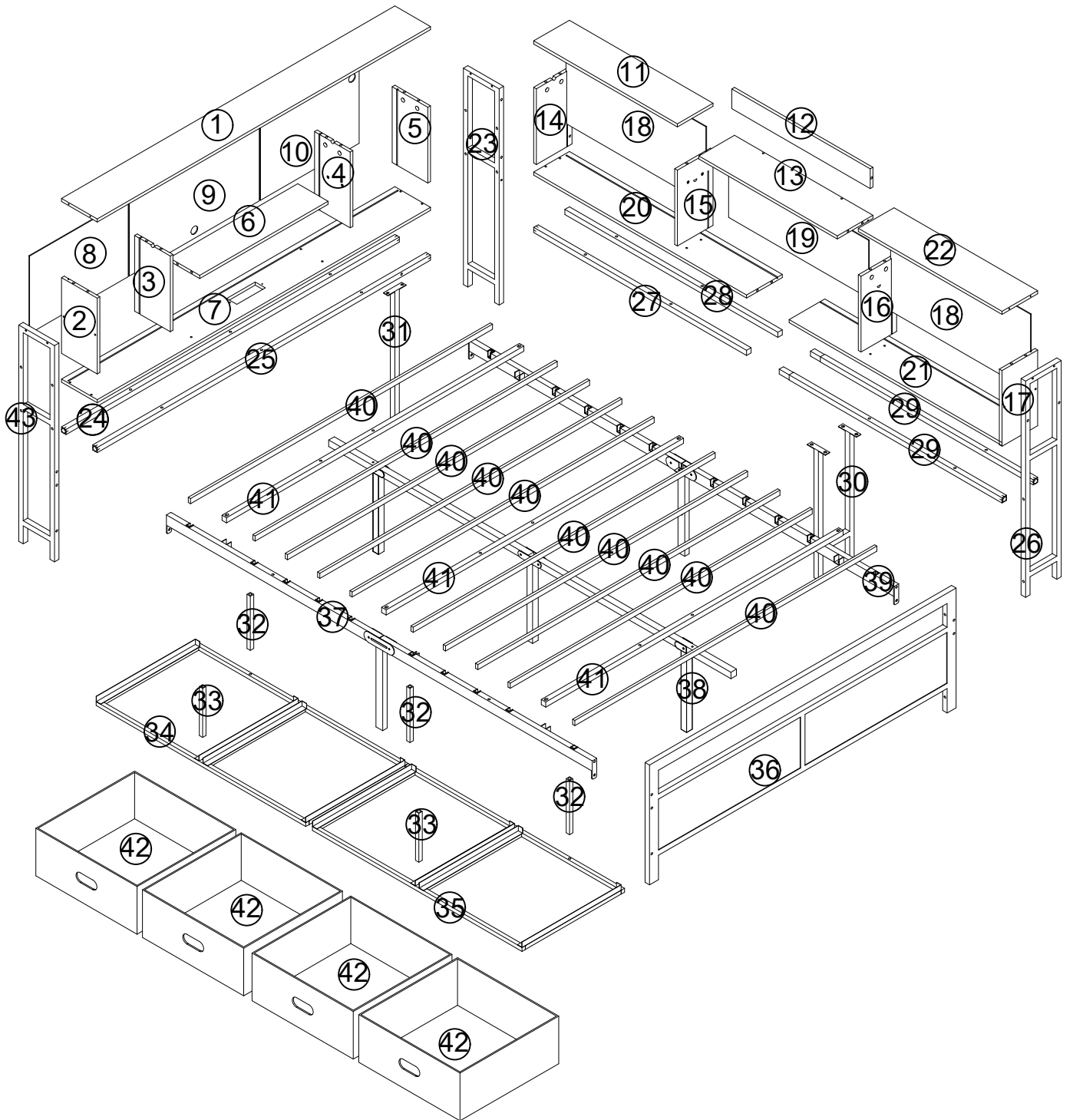


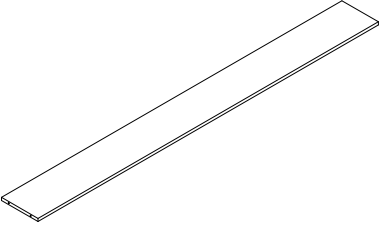
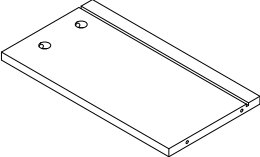
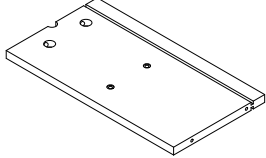
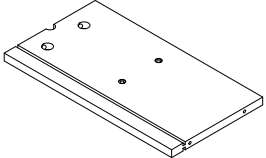
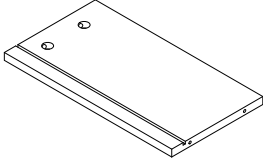
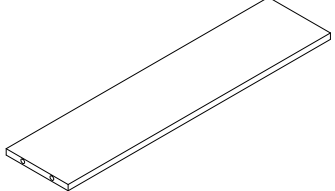
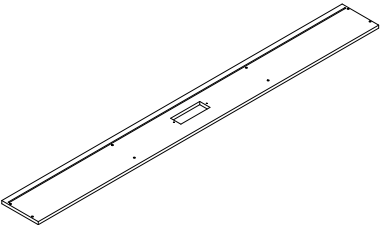
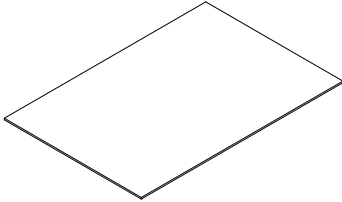
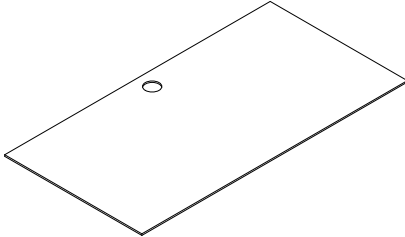
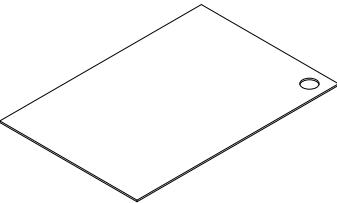
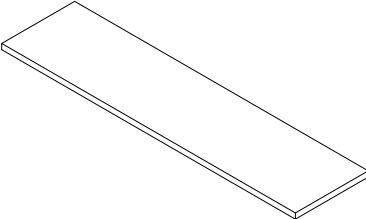
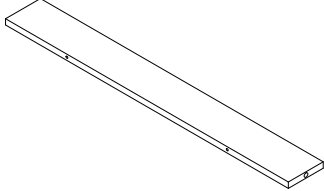
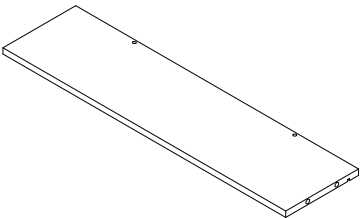
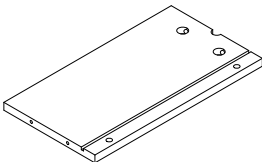
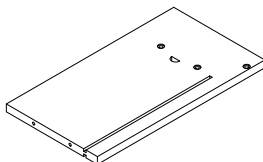
Assembly instructions



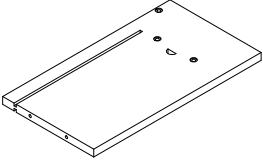
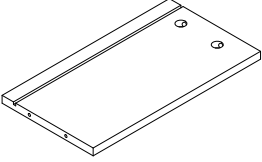
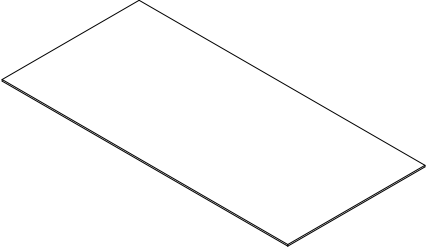
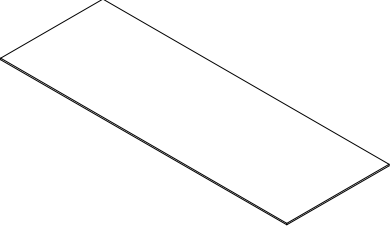
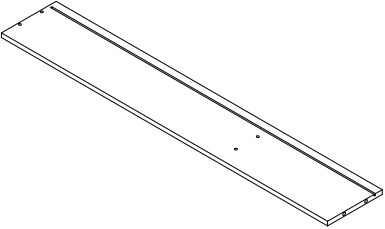
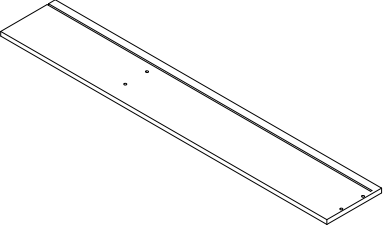
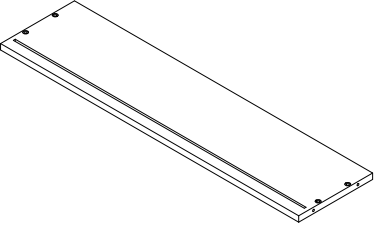
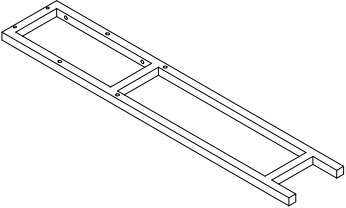
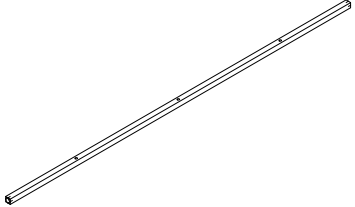
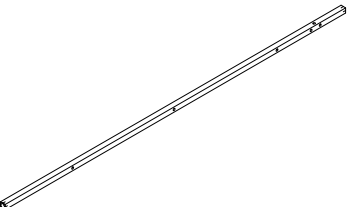
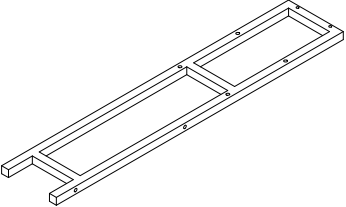
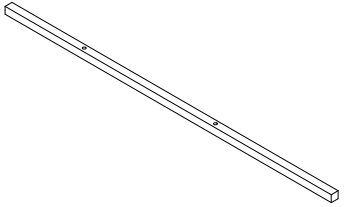
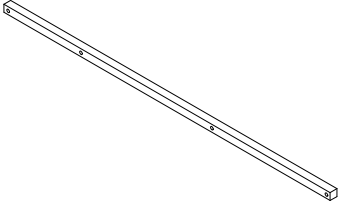
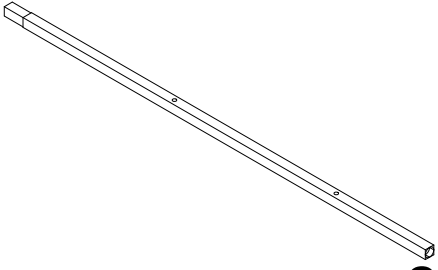
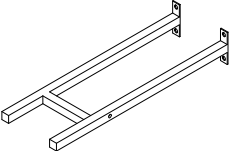
Parts List



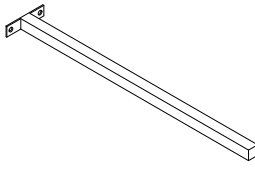
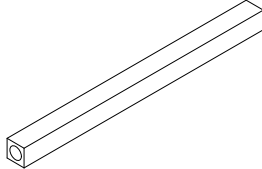
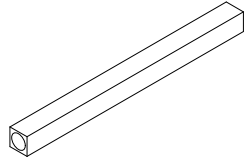
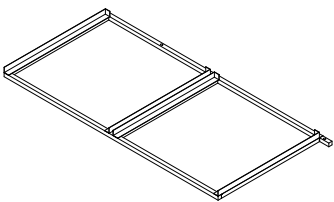
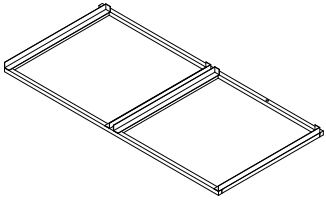
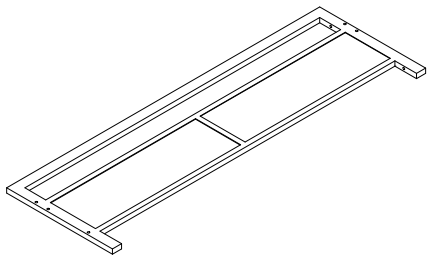
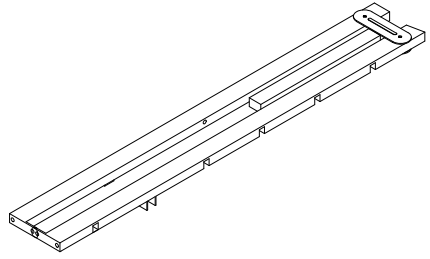
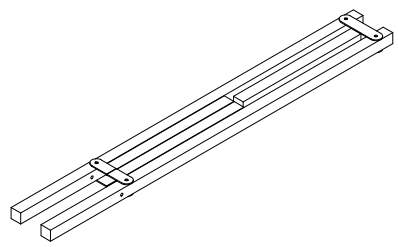
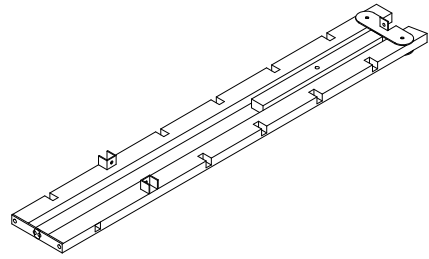
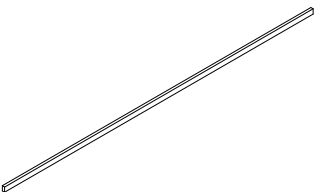
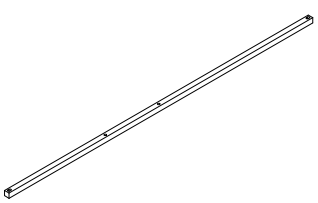
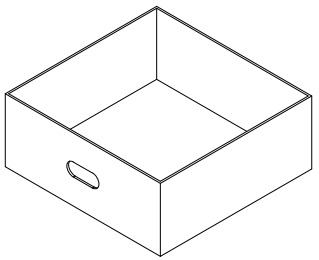
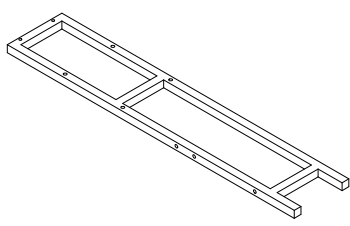
Parts List / Teile Liste

<p>1</p>  <p>x1</p>	<p>2</p>  <p>x1</p>	<p>3</p>  <p>x1</p>
<p>4</p>  <p>x1</p>	<p>5</p>  <p>x1</p>	<p>6</p>  <p>x1</p>
<p>7</p>  <p>x1</p>	<p>8</p>  <p>x1</p>	<p>9</p>  <p>x1</p>
<p>10</p>  <p>x1</p>	<p>11</p>  <p>x1</p>	<p>12</p>  <p>x1</p>
<p>13</p>  <p>x1</p>	<p>14</p>  <p>x1</p>	<p>15</p>  <p>x1</p>

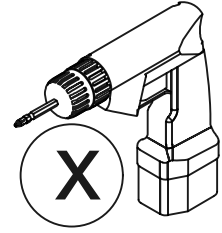
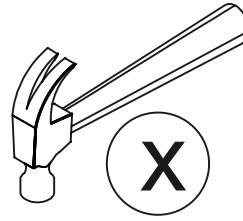
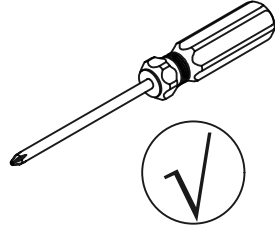
Parts List / Teile Liste


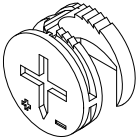
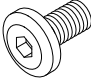
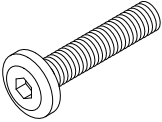
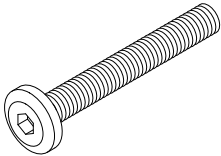
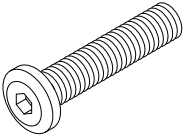
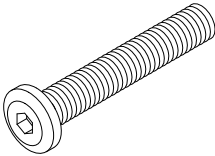
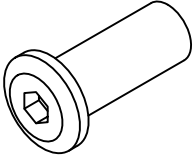
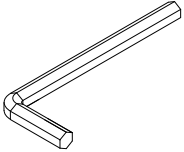
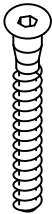
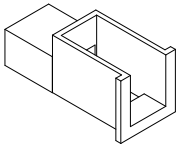
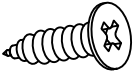
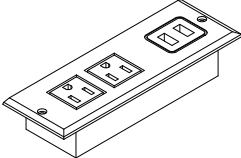
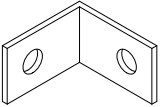

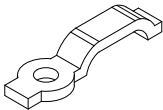
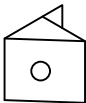
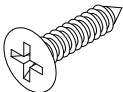
<p>16</p>  <p>x1</p>	<p>17</p>  <p>x1</p>	<p>18</p>  <p>x2</p>
<p>19</p>  <p>x1</p>	<p>20</p>  <p>x1</p>	<p>21</p>  <p>x1</p>
<p>22</p>  <p>x1</p>	<p>23</p>  <p>x1</p>	<p>24</p>  <p>x1</p>
<p>25</p>  <p>x1</p>	<p>26</p>  <p>x1</p>	<p>27</p>  <p>x1</p>
<p>28</p>  <p>x1</p>	<p>29</p>  <p>x2</p>	<p>30</p>  <p>x1</p>

Parts List / Teile Liste

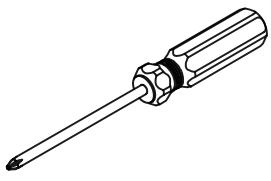
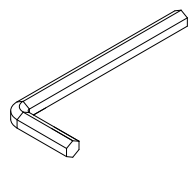
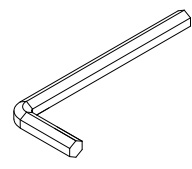
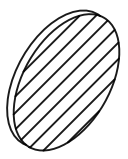
<p>31</p>  <p>x1</p>	<p>32</p>  <p>x3</p>	<p>33</p>  <p>x2</p>
<p>34</p>  <p>x1</p>	<p>35</p>  <p>x1</p>	<p>36</p>  <p>x1</p>
<p>37</p>  <p>x1</p>	<p>38</p>  <p>x1</p>	<p>39</p>  <p>x1</p>
<p>40</p>  <p>x10</p>	<p>41</p>  <p>x3</p>	<p>42</p>  <p>x3</p>
<p>43</p>  <p>x1</p>		

Parts List / Teile Liste

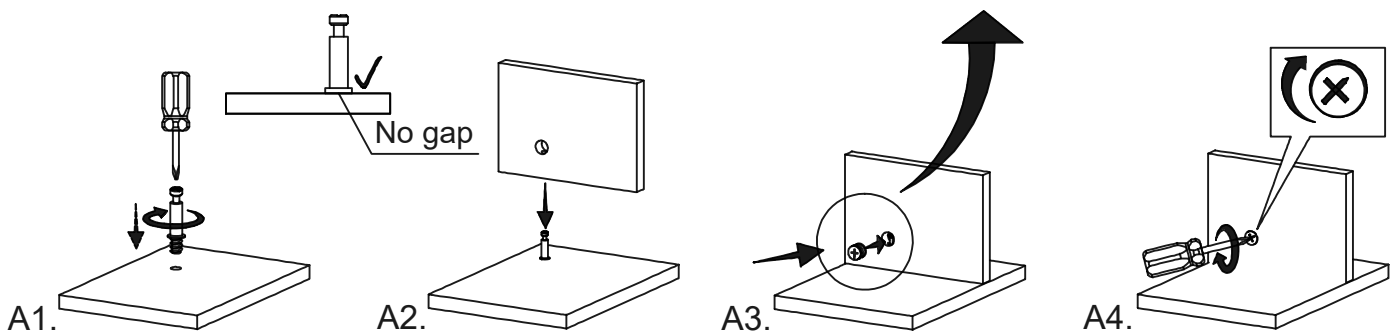
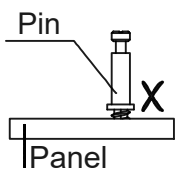
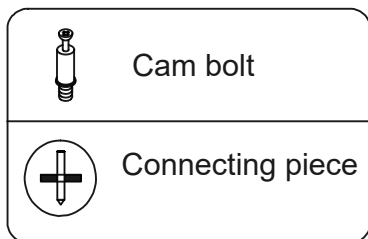


<p>A</p>  <p>Ø6x36mm 28PCS</p>	<p>B</p>  <p>Ø15x9.2mm 28PCS</p>	<p>C</p>  <p>M6x12mm 12PCS</p>
<p>D</p>  <p>M6x28mm 44PCS</p>	<p>E</p>  <p>M6x55mm 7PCS</p>	<p>F</p>  <p>M6x18mm 4PCS</p>
<p>G</p>  <p>M8x30mm 4 PCS</p>	<p>H</p>  <p>M6x10mm 6PCS</p>	<p>I</p>  <p>M3 1 PC</p>
<p>J</p>  <p>M5x48mm 24PCS</p>	<p>K</p>  <p>M6x32mm 20PCS</p>	<p>L</p>  <p>M3.5x14mm 2PCS</p>
<p>M</p>  <p>1 PC</p>	<p>N</p>  <p>3 PCS</p>	<p>O</p>  <p>1 PC</p>
<p>P</p>  <p>12 PCS</p>	<p>Q</p>  <p>24PCS</p>	<p>R</p>  <p>M3x14mm 36PCS</p>

Parts List / Teile Liste

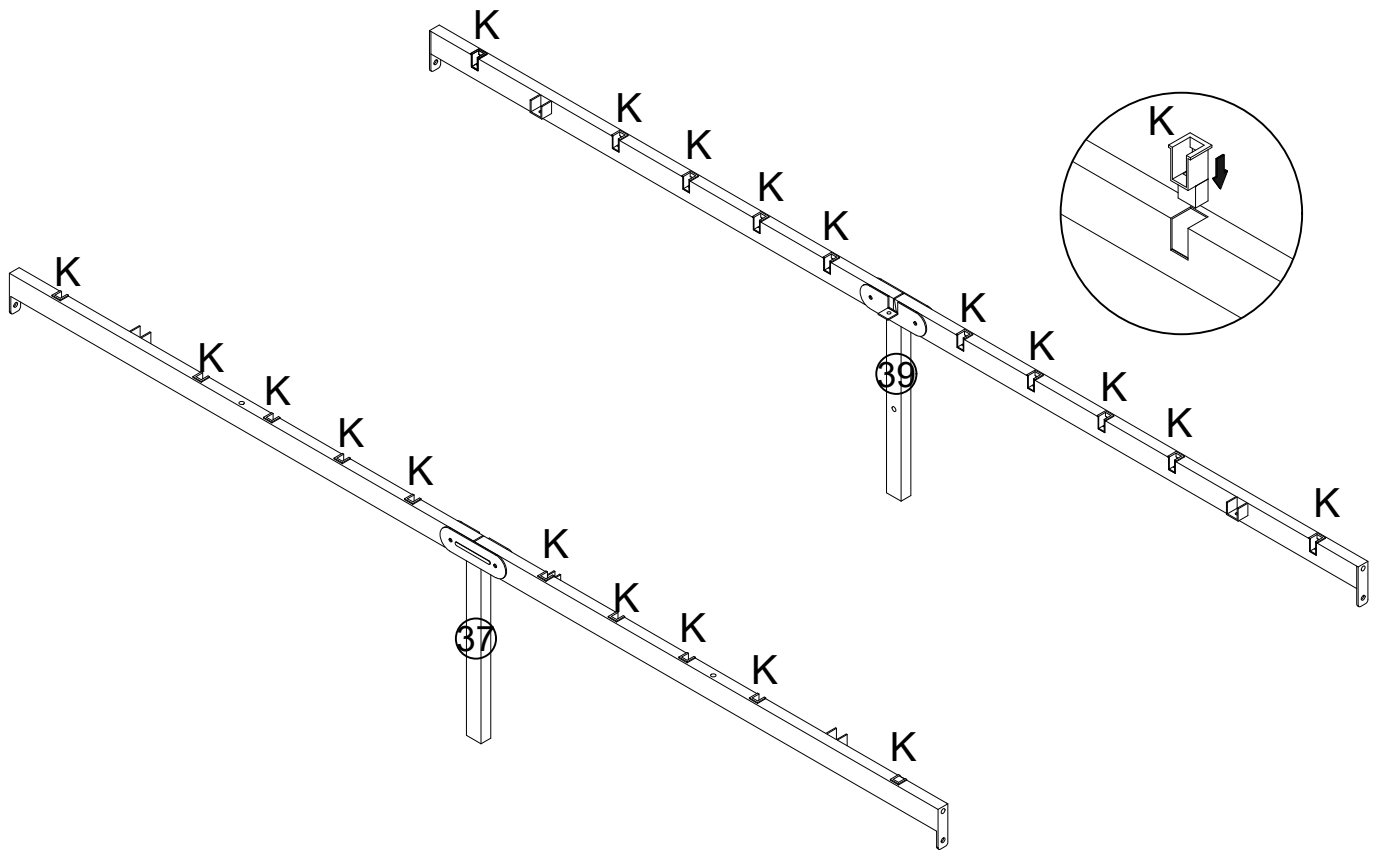
<p>S</p>  <p>1 PC</p>	<p>T</p>  <p>M5 1 PC</p>	<p>U</p>  <p>M4 2 PCS</p>
<p>V</p>  <p>24 PCS</p>		

CAM BOLT INSTALLATION AS BELOW:



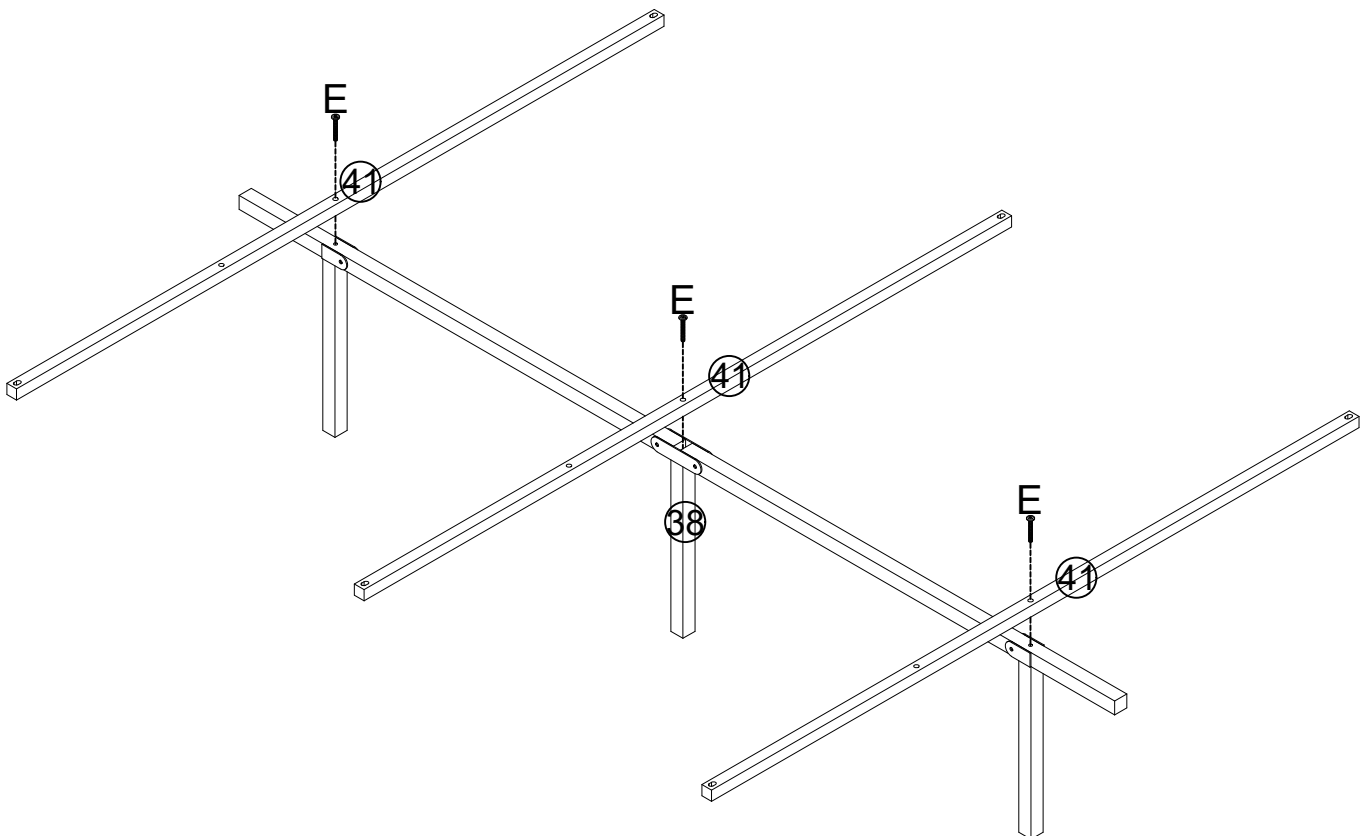
Assembly Steps / Montageschritte

STEP 1



K*20PCS

STEP 2

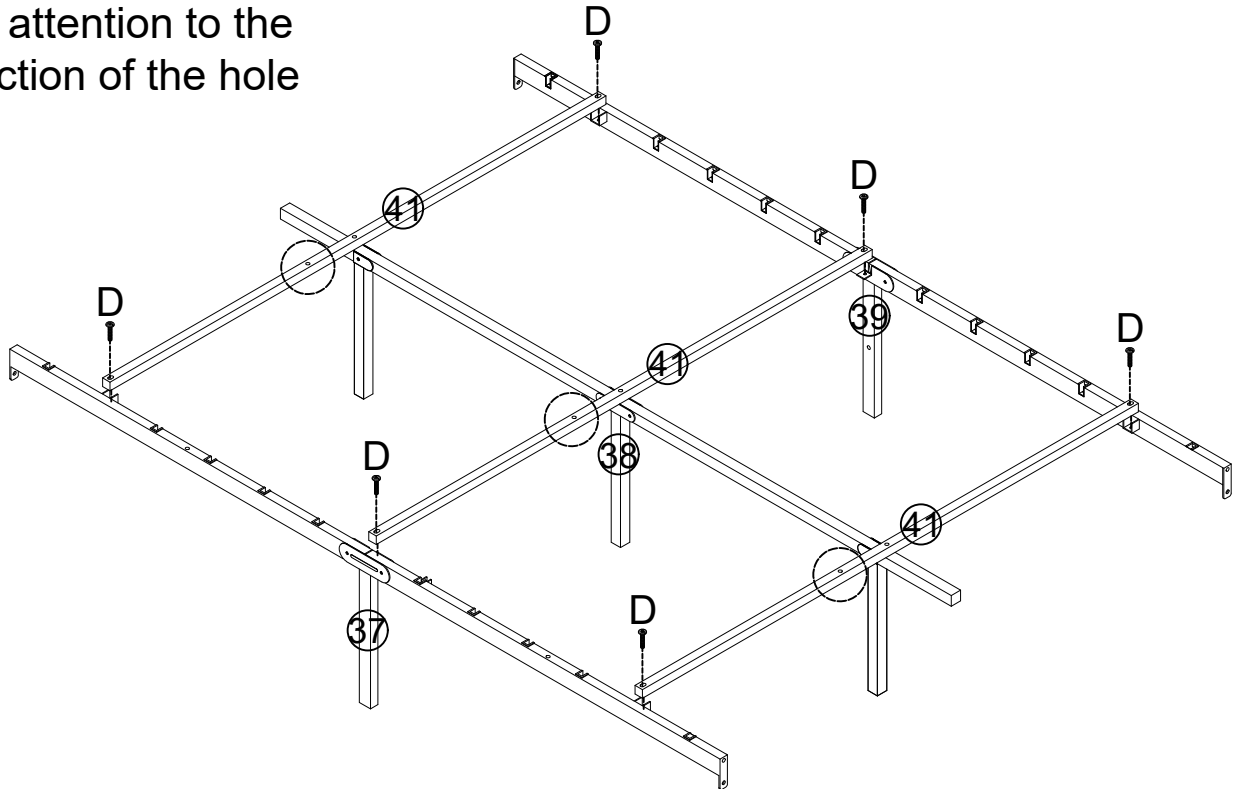


E*3PCS

Assembly Steps / Montageschritte

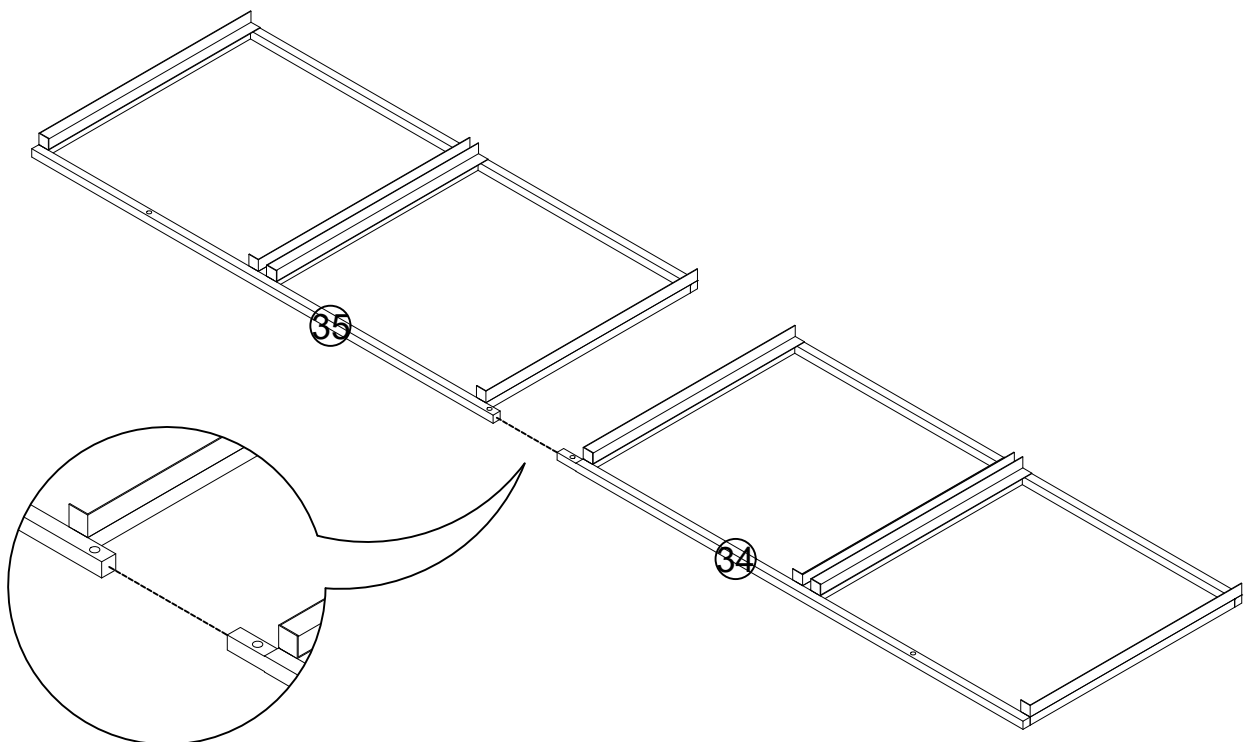
STEP 3

Pay attention to the direction of the hole



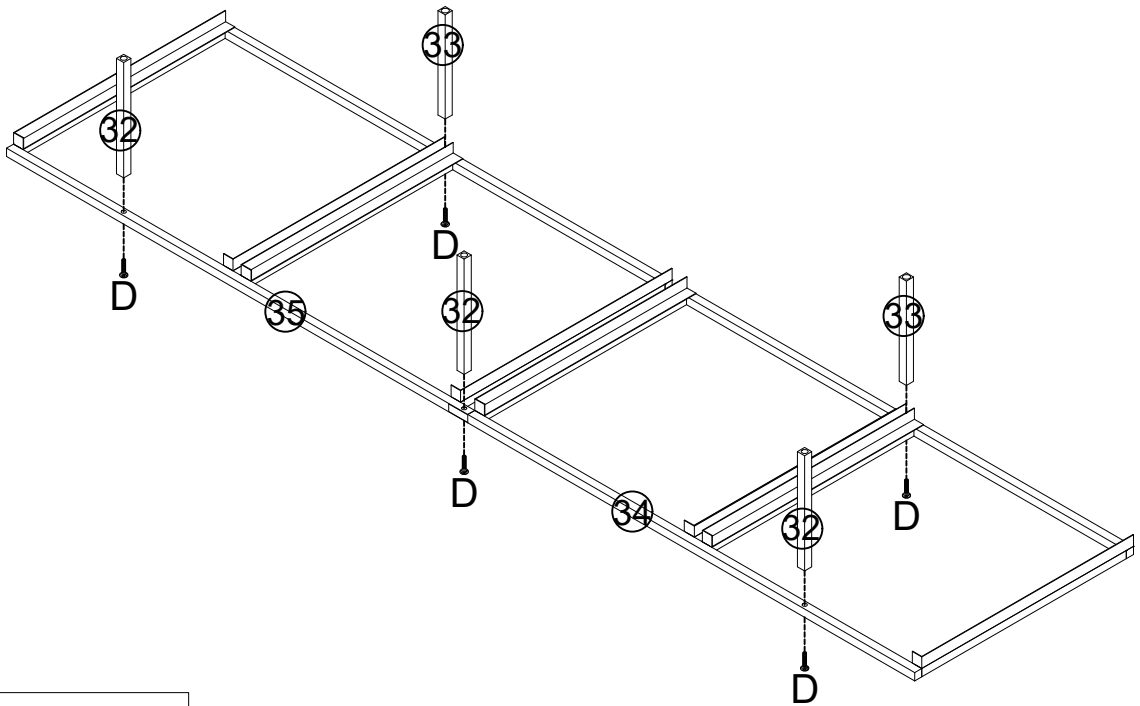
D*6PCS

STEP 4



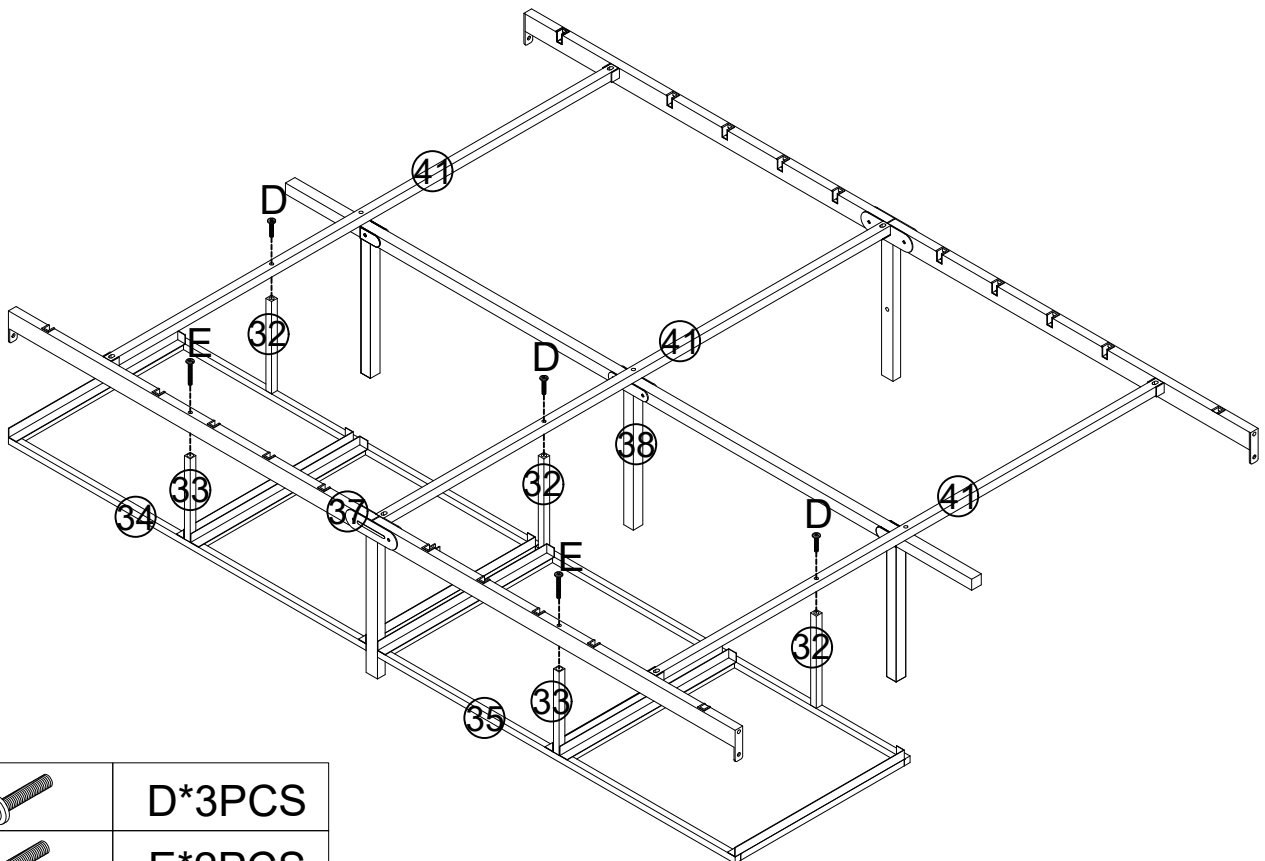
Assembly Steps / Montageschritte

STEP 5



D*5PCS

STEP 6



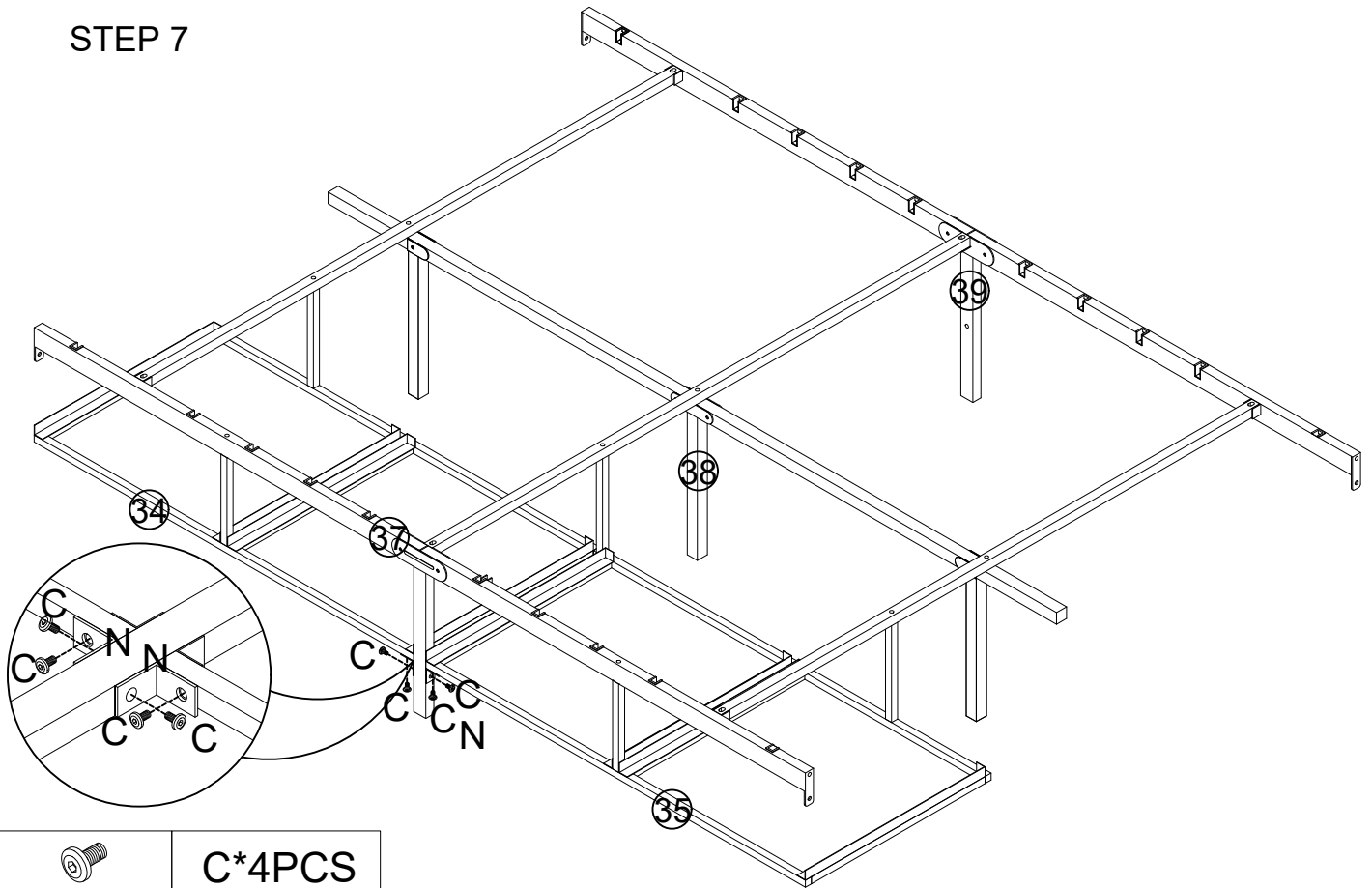
D*3PCS


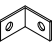


E*2PCS

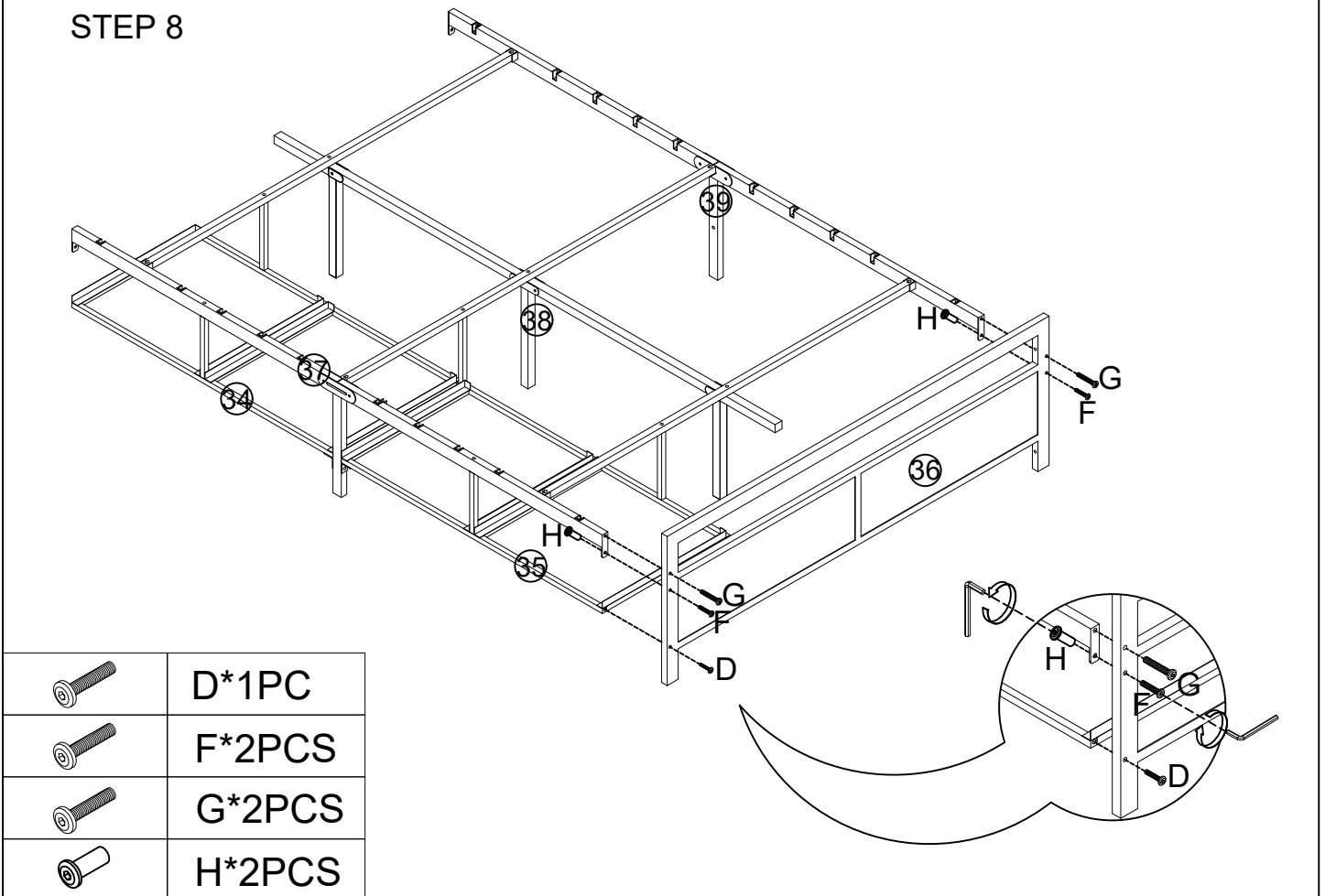
Assembly Steps / Montageschritte





STEP 7



	C*4PCS
	N*2PCS

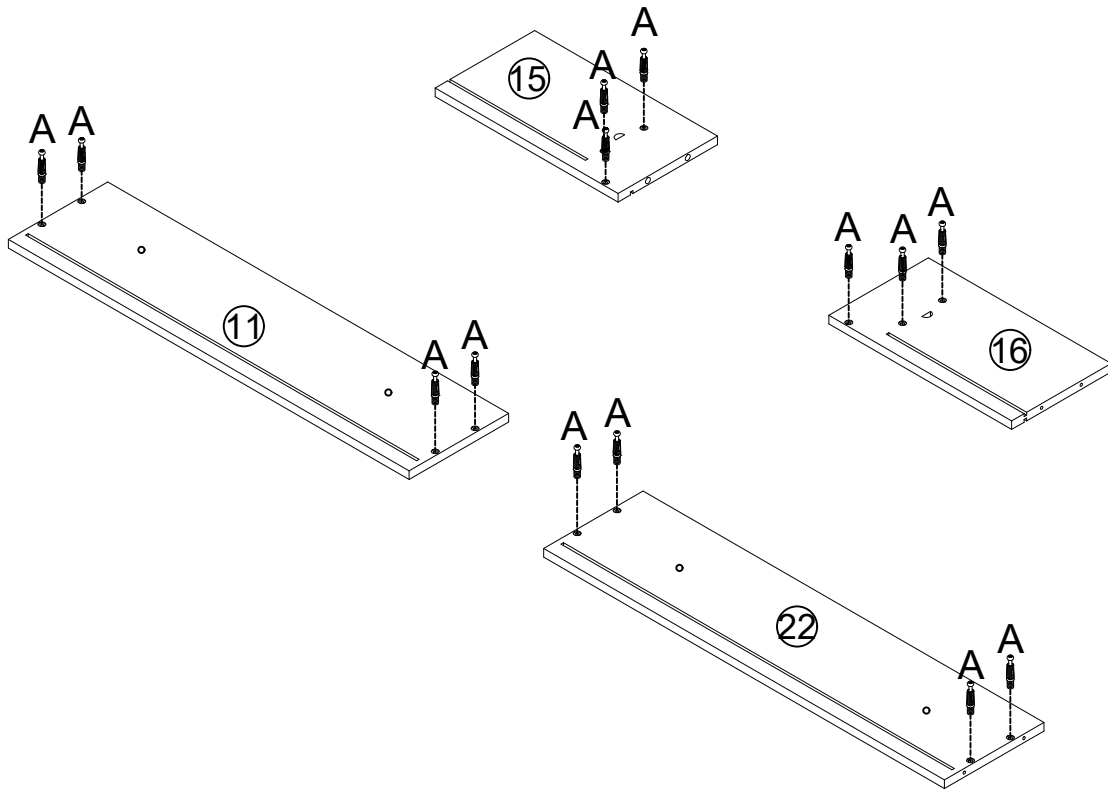
STEP 8



	D*1PC
	F*2PCS
	G*2PCS
	H*2PCS

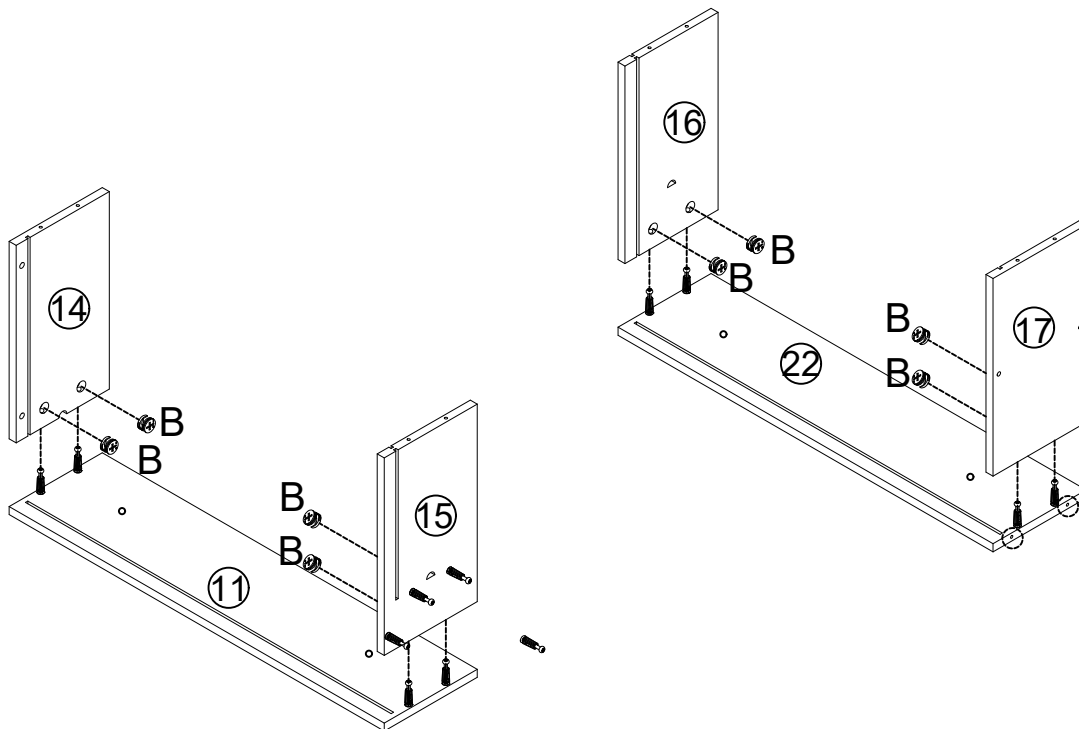
Assembly Steps / Montageschritte

STEP 9



A*14PCS

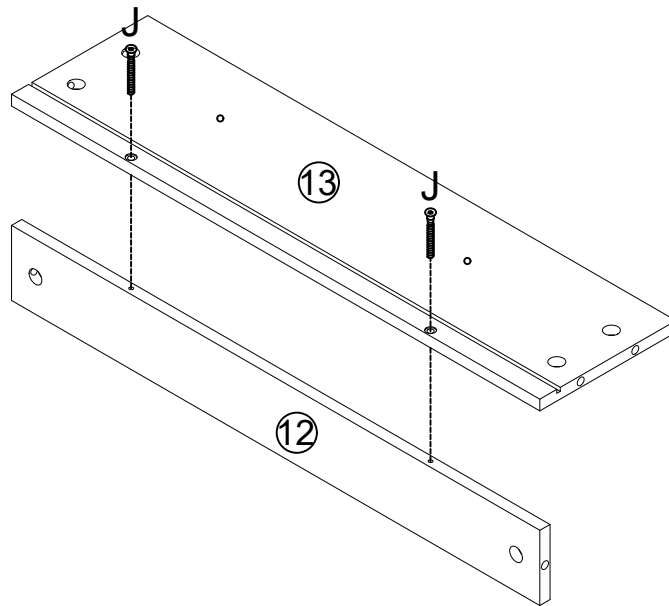
STEP 10



B*8PCS

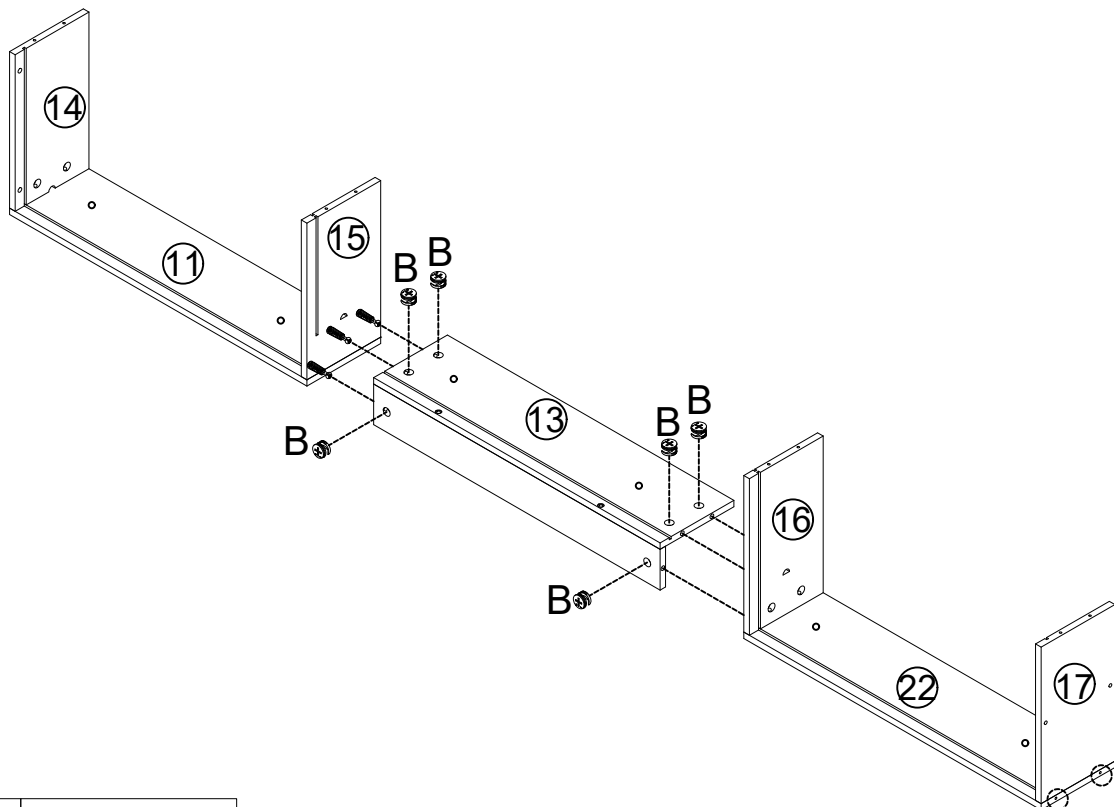
Assembly Steps / Montageschritte

STEP 11



J*2PCS

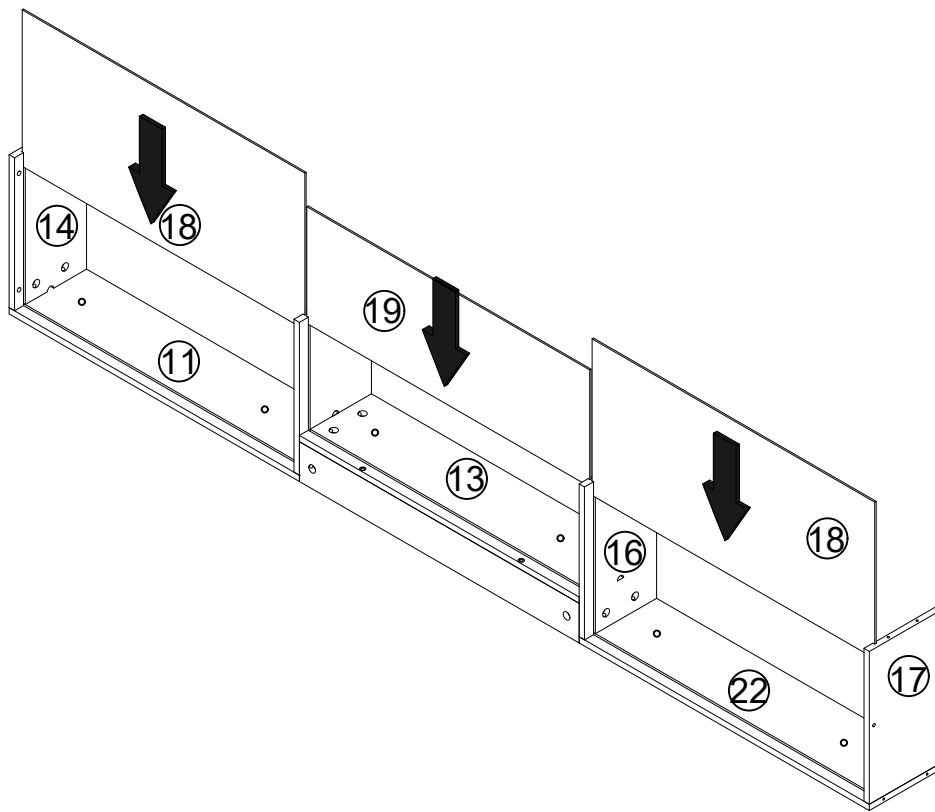
STEP 12



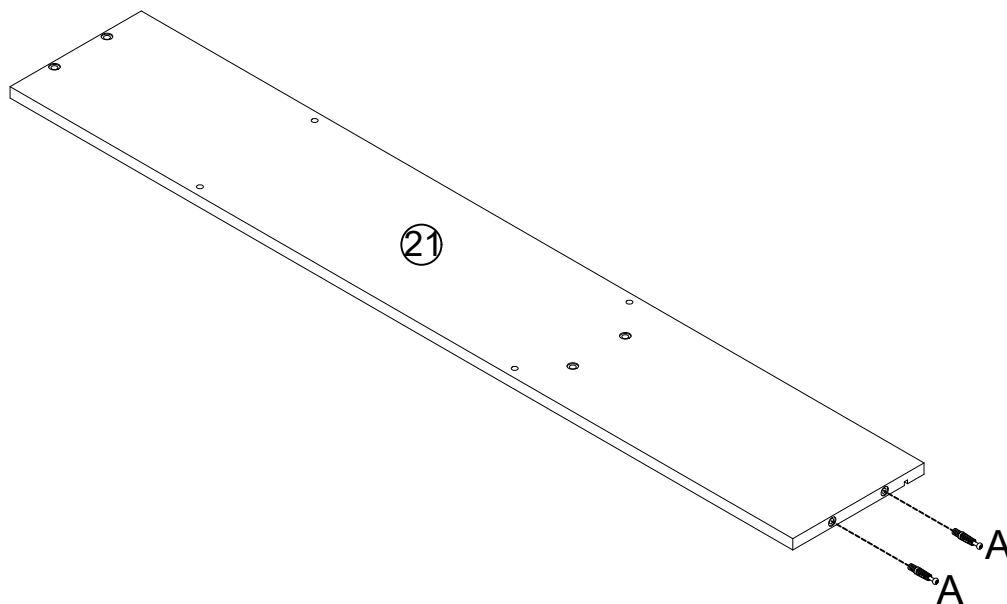
B*6PCS

Assembly Steps / Montageschritte

STEP 13



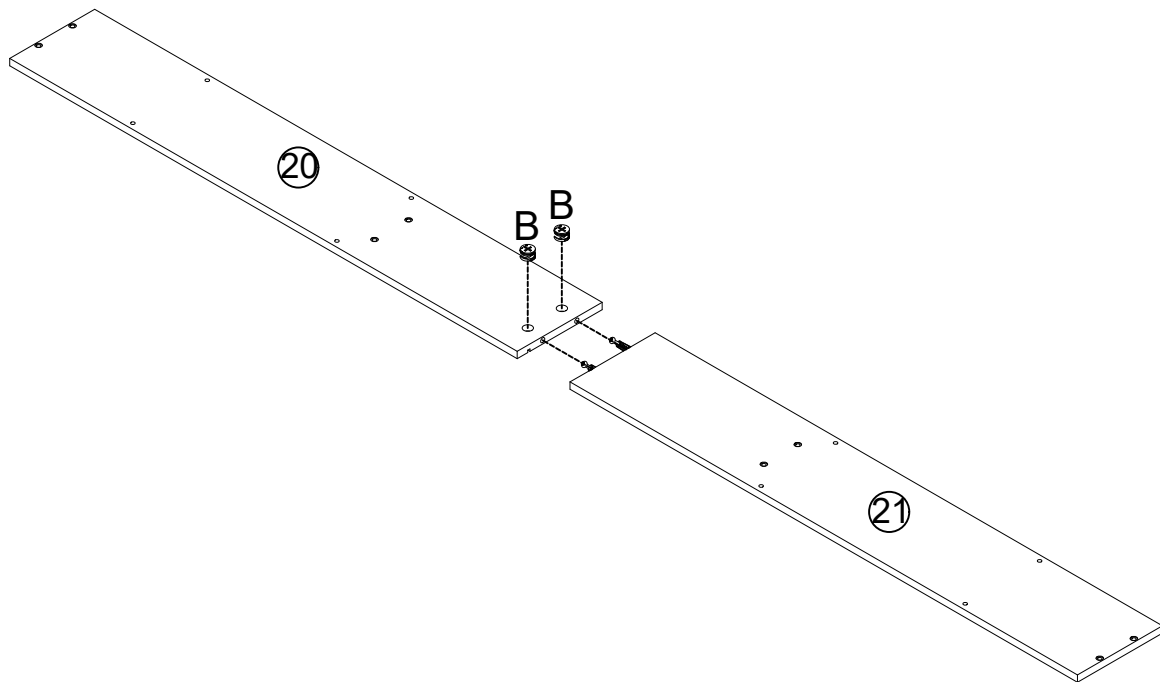
STEP 14



A*2PCS

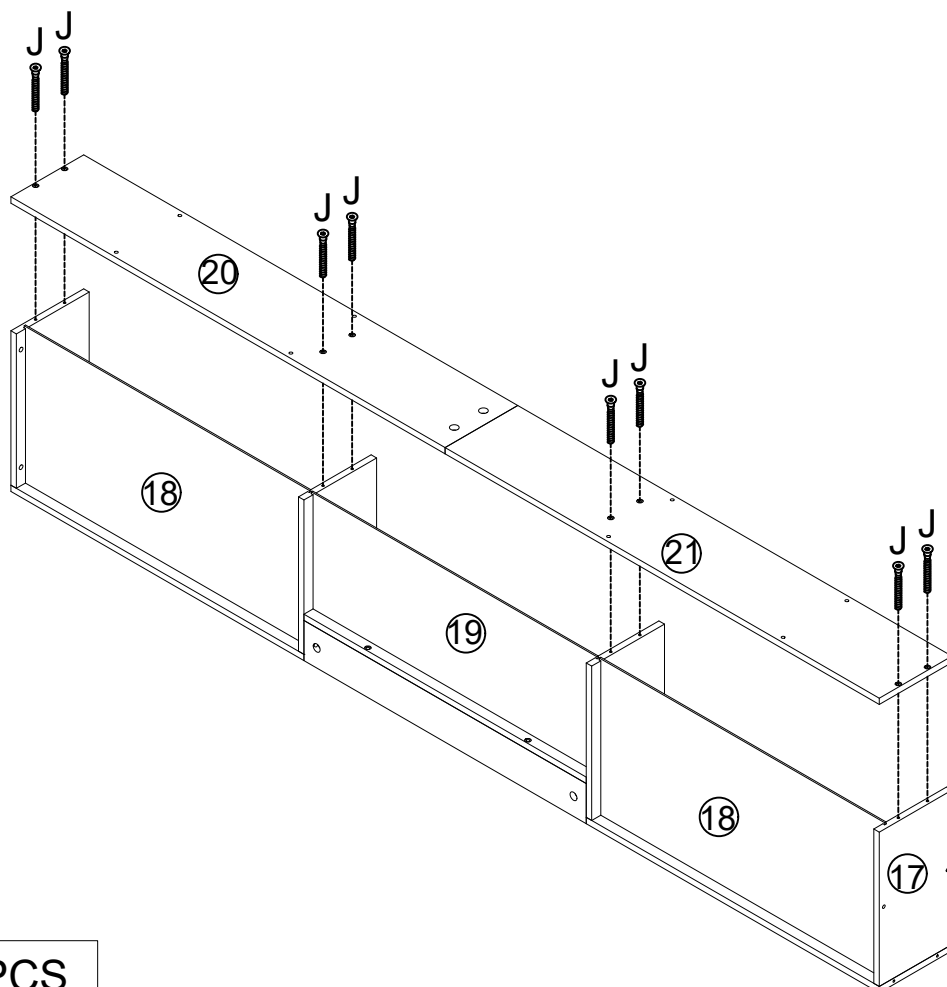
Assembly Steps / Montageschritte

STEP 15



B*2PCS

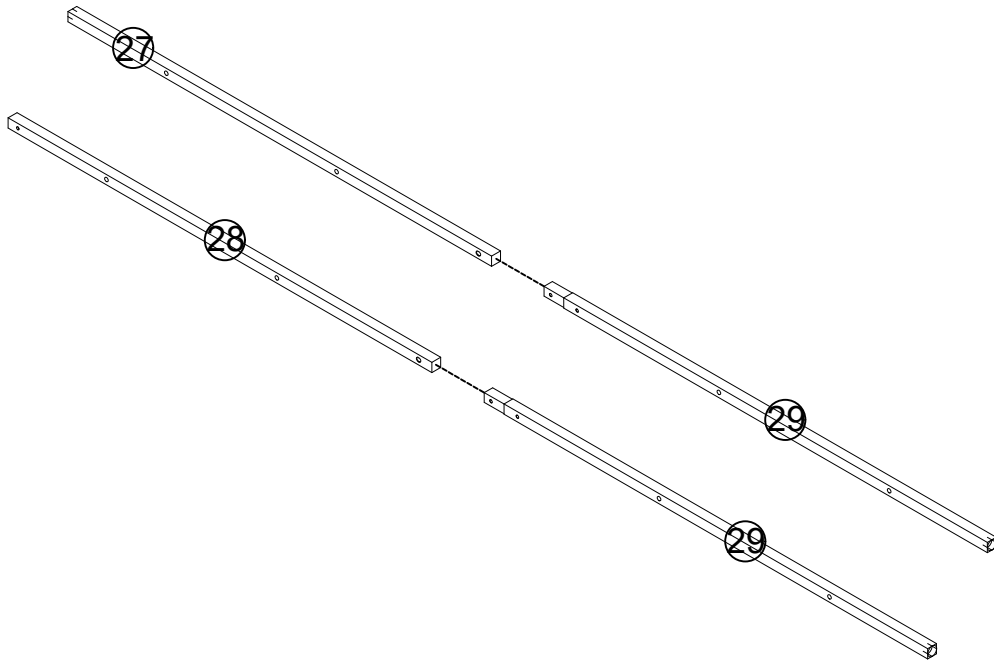
STEP 16



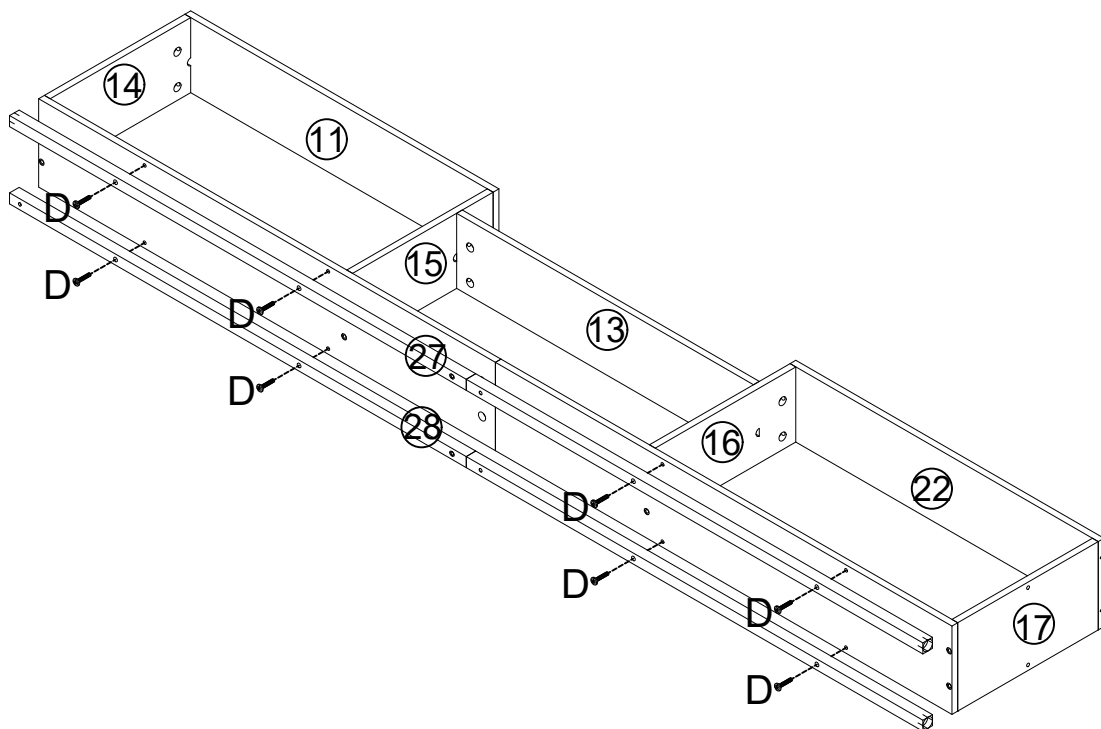
J*8PCS

Assembly Steps / Montageschritte

STEP 17



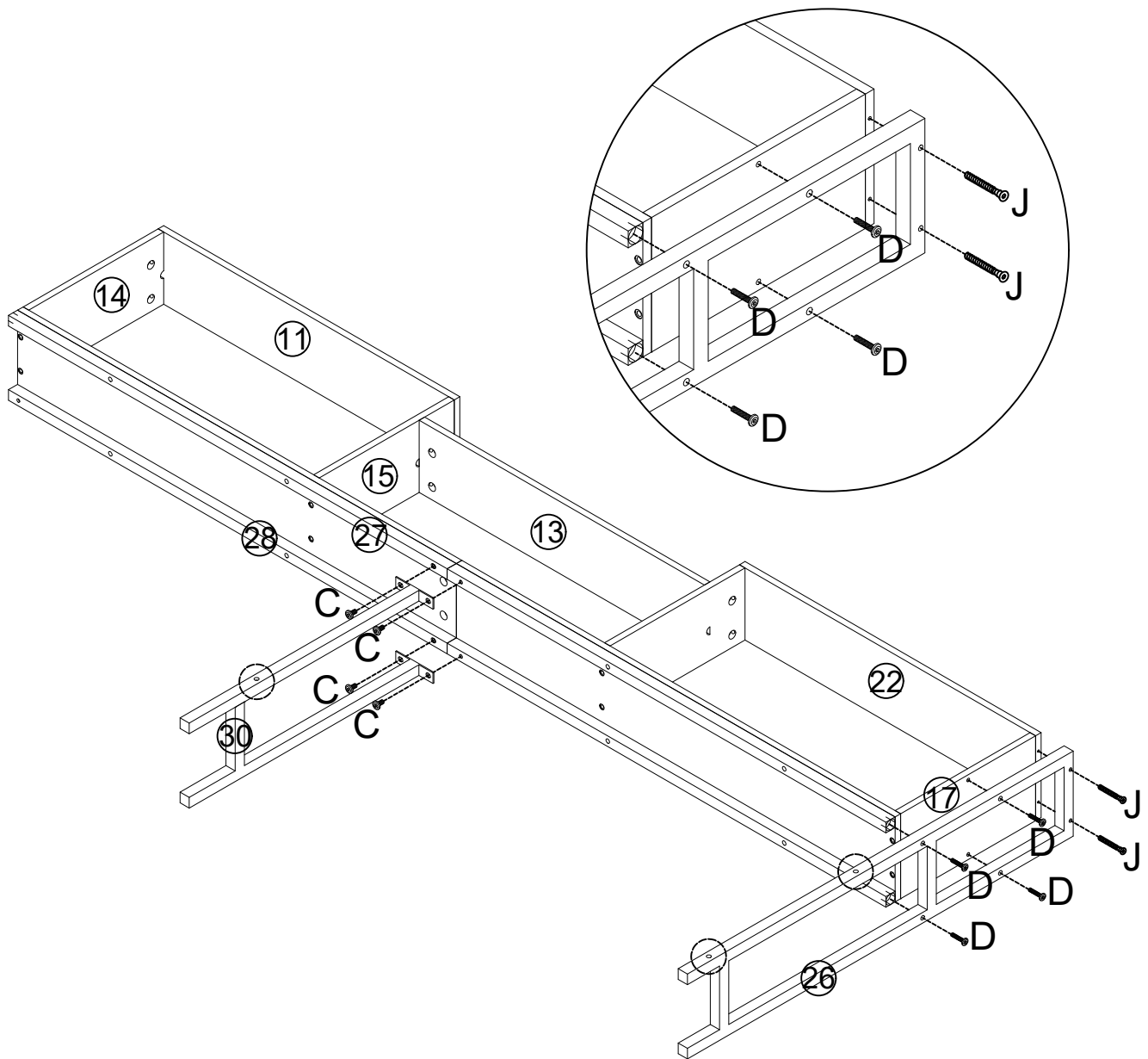
STEP 18




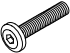

D*8PCS

Assembly Steps / Montageschritte

STEP 19

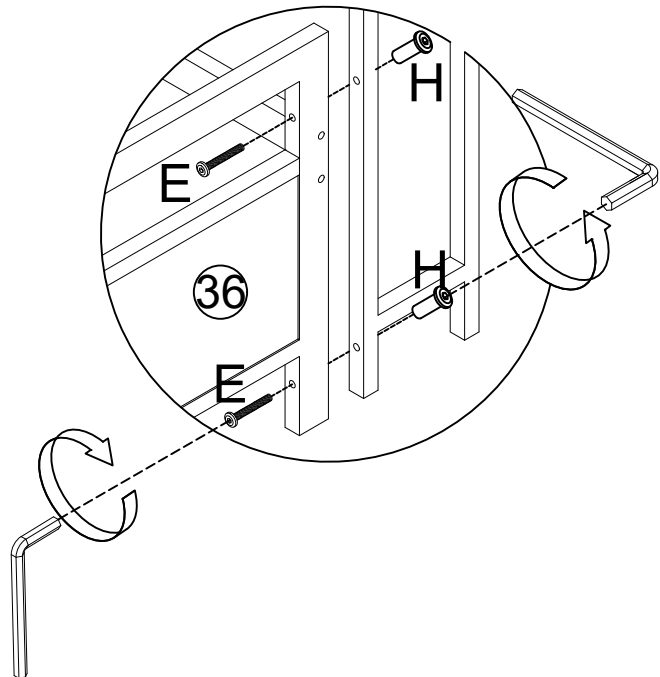
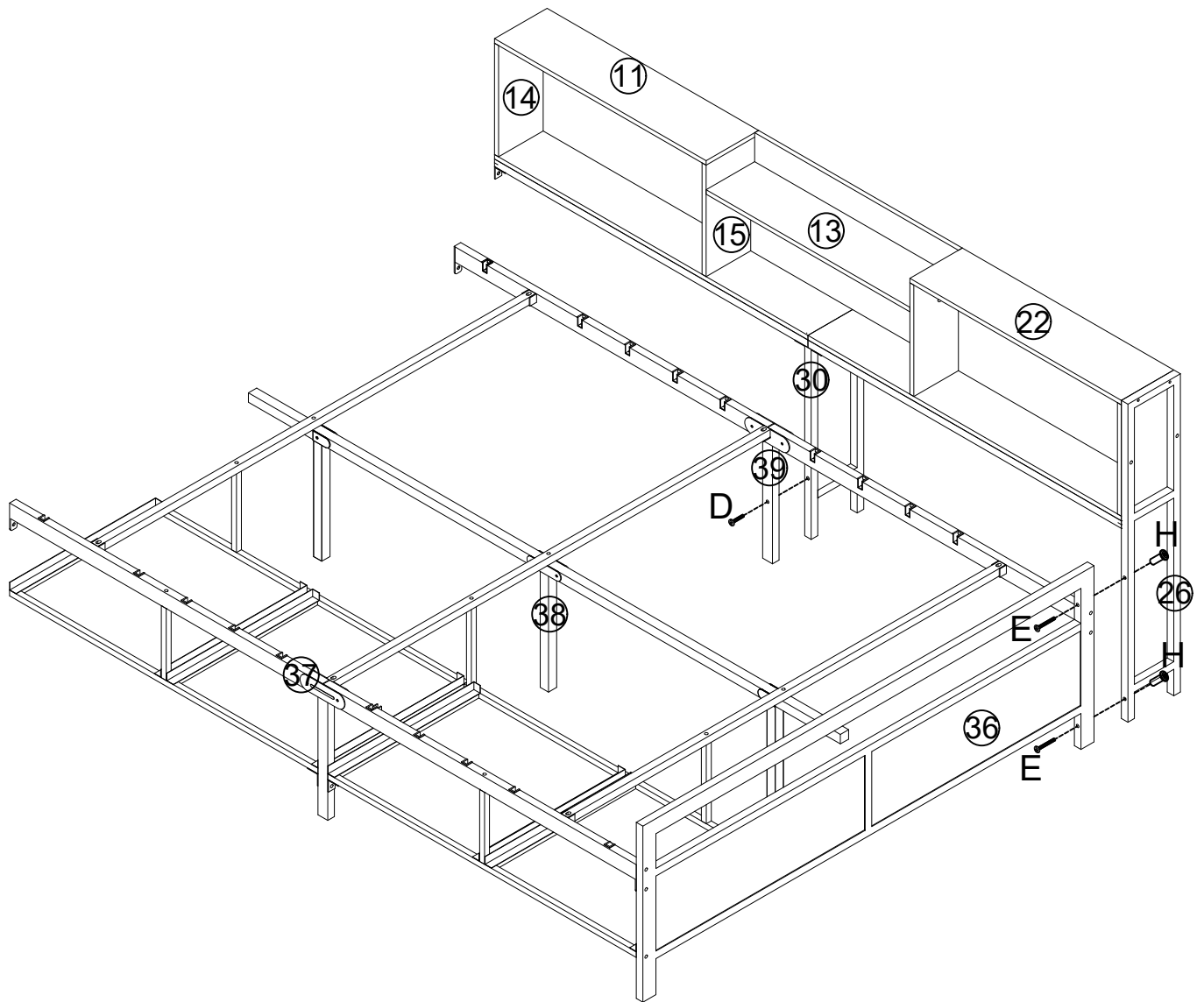


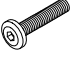


Pay attention to the direction of the hole

	C*4PCS
	D*4PCS
	J*2PCS

Assembly Steps / Montageschritte

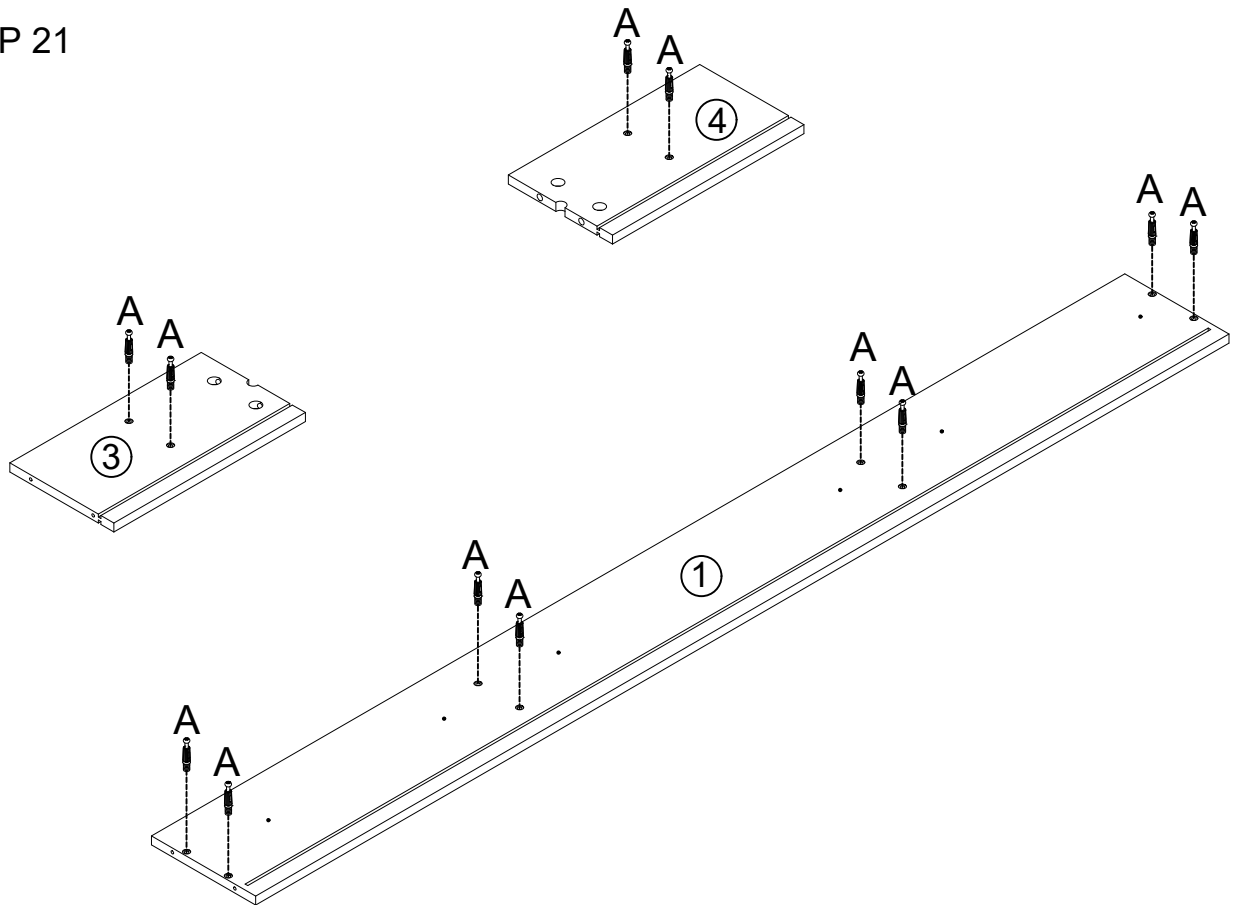
STEP 20



	D*1PC
	E*2PCS
	H*2PCS

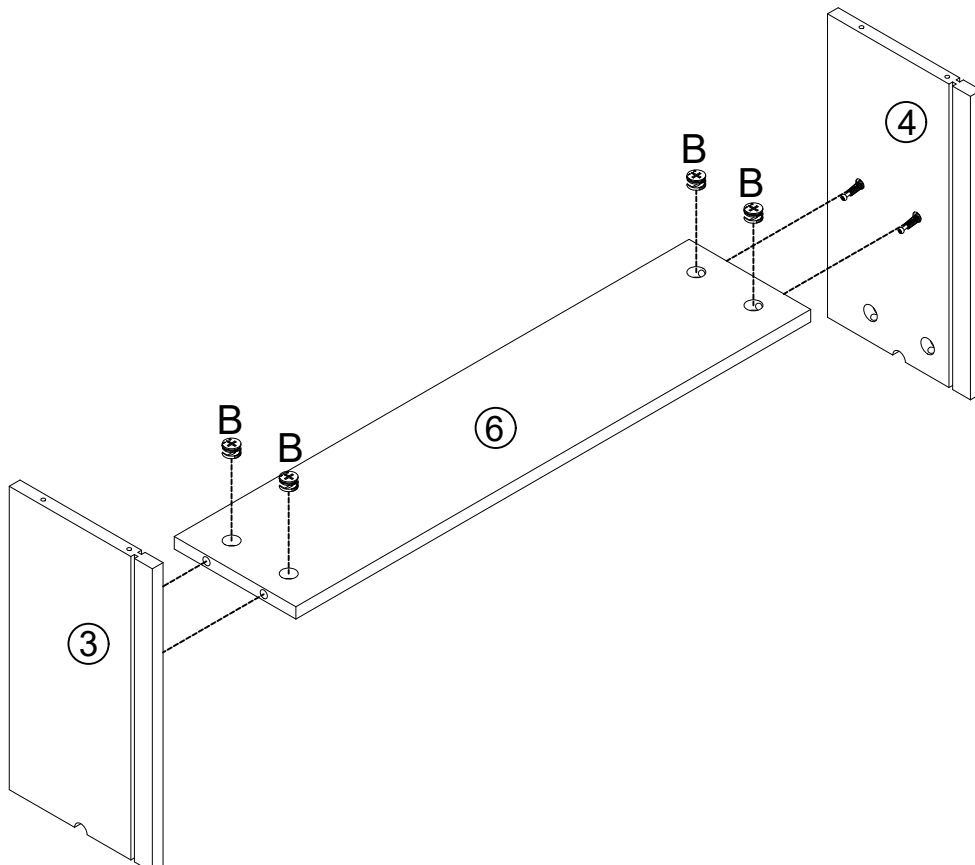
Assembly Steps / Montageschritte

STEP 21



A*12PCS

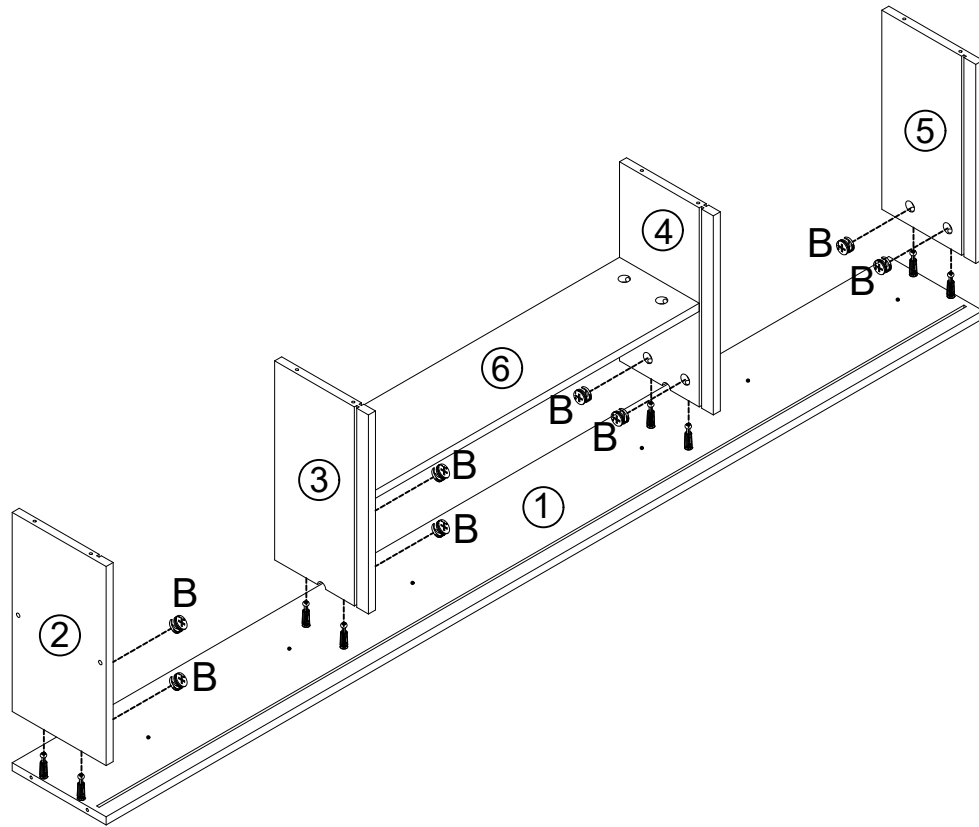
STEP 22



B*4PCS

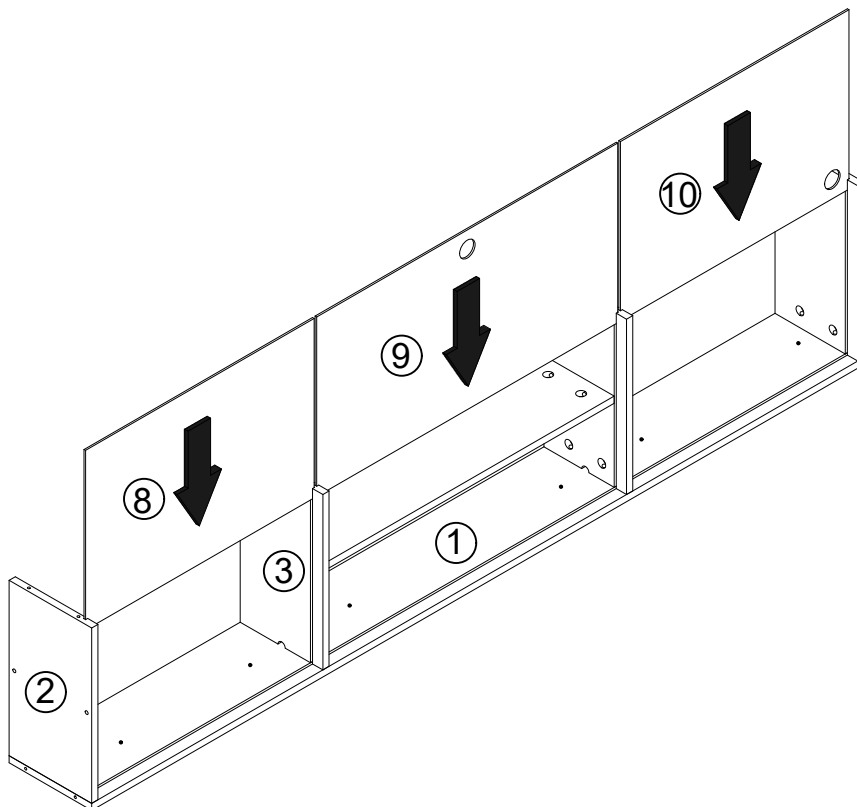
Assembly Steps / Montageschritte

STEP 23



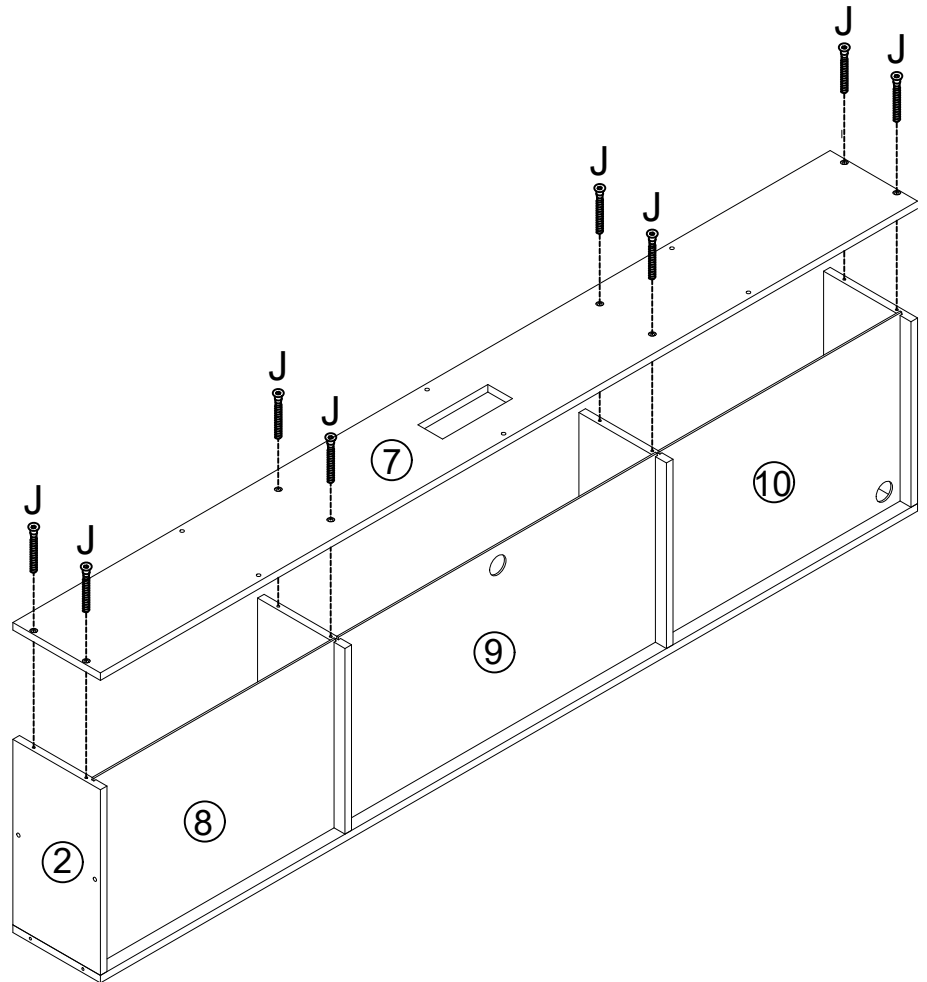
B*8PCS

STEP 24



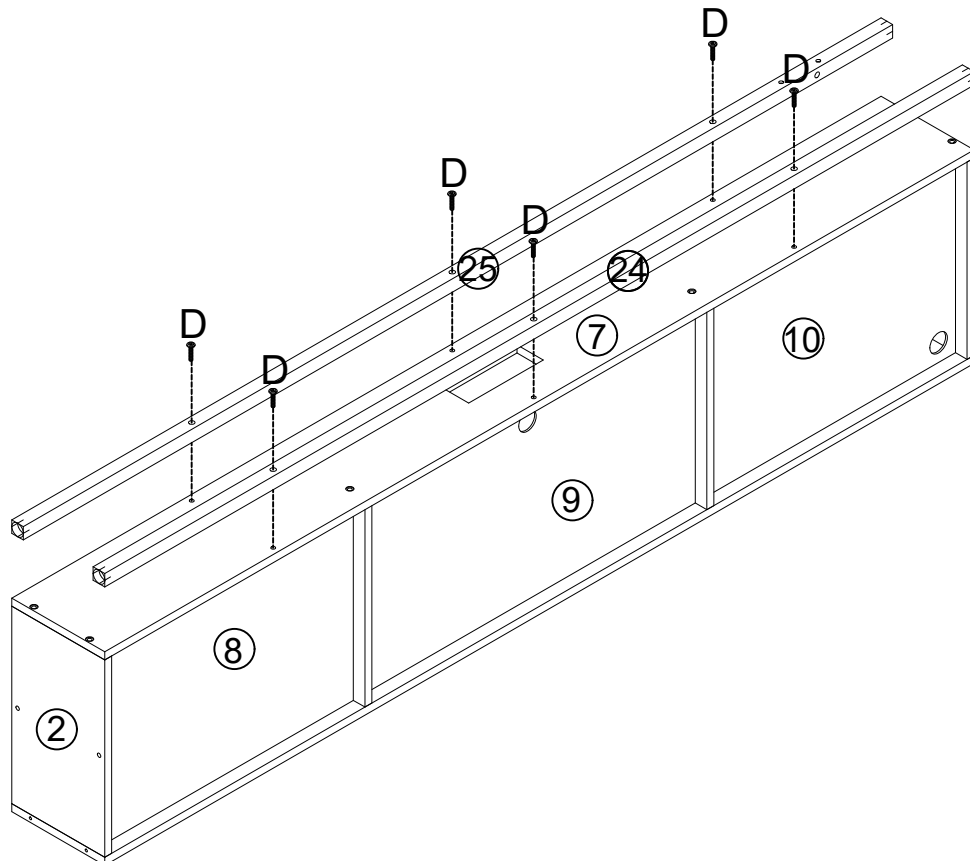
Assembly Steps / Montageschritte

STEP 25



J*8PCS

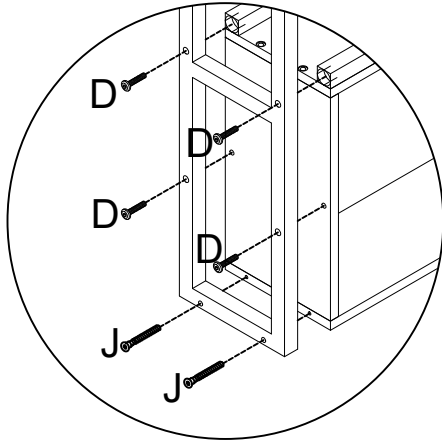
STEP 26



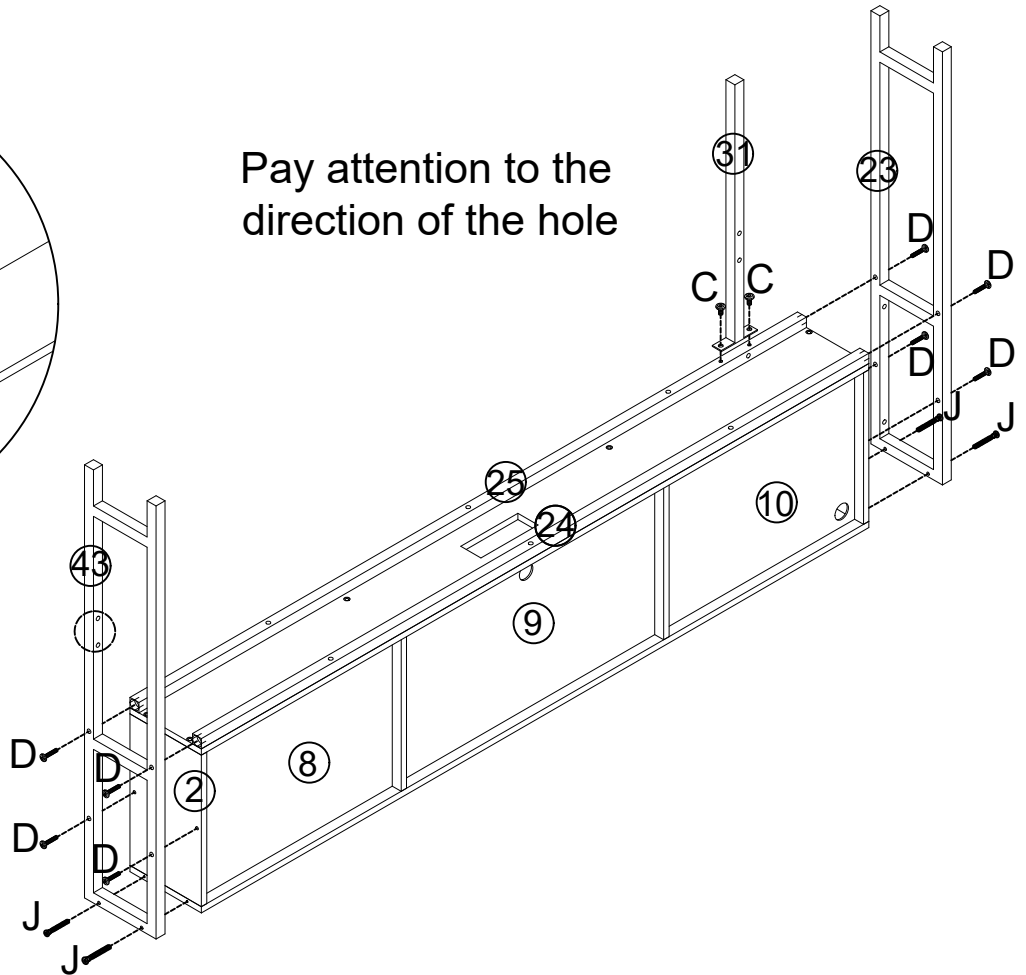
D*6PCS


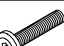

Assembly Steps / Montageschritte

STEP 27

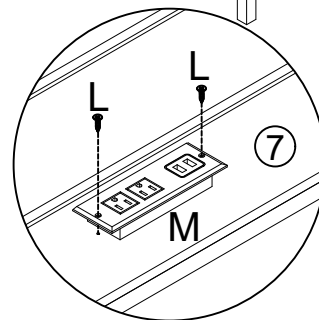
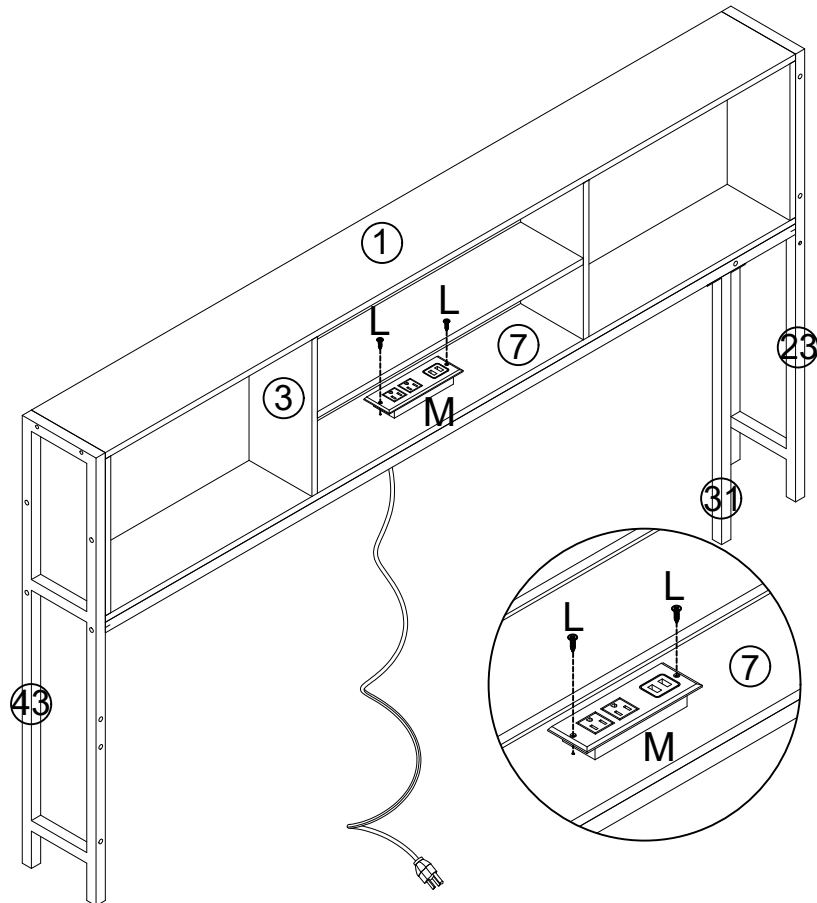




Pay attention to the direction of the hole



	C*2PCS
	D*8PCS
	J*4PCS

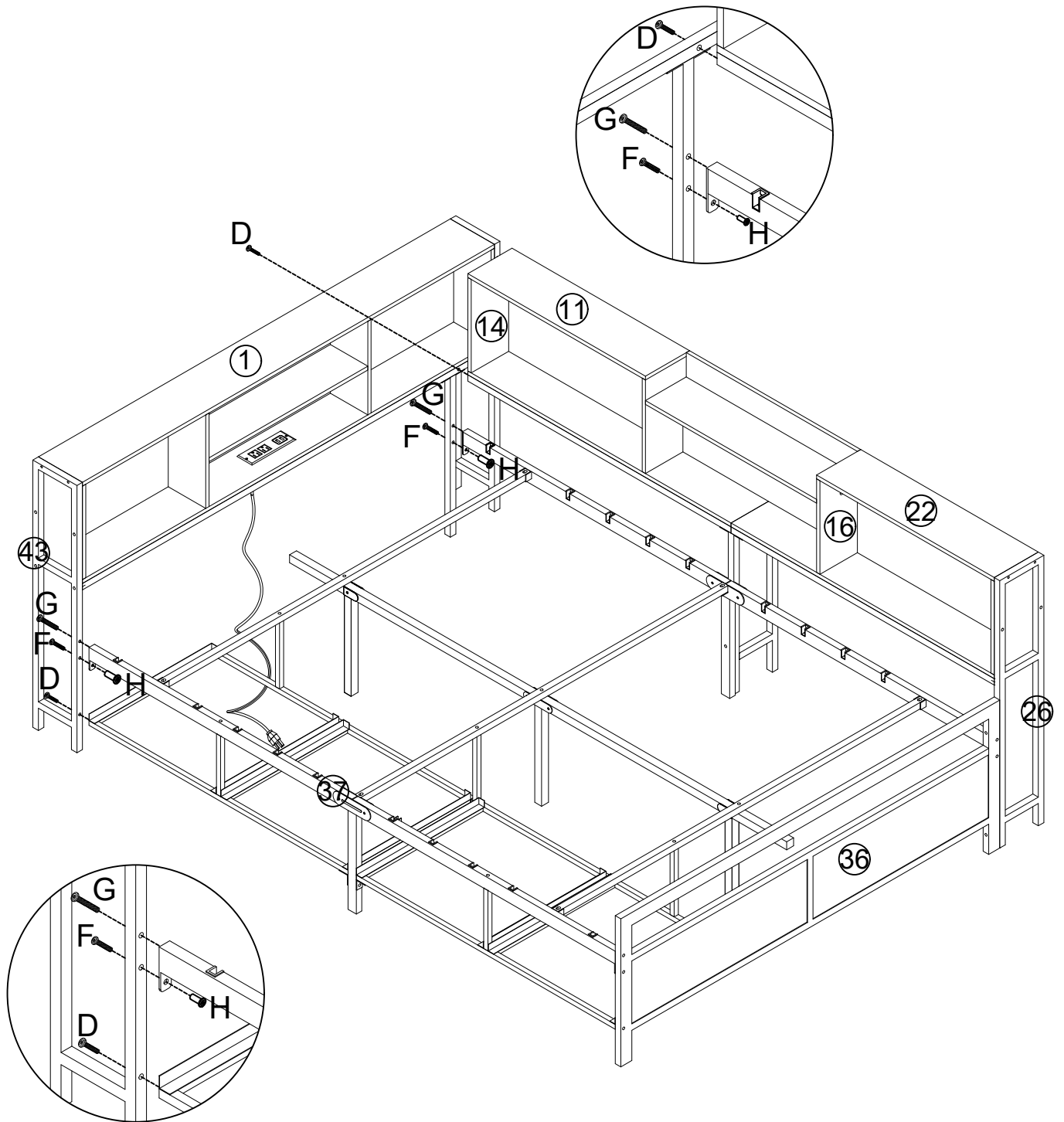
STEP 28

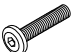
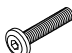
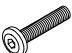



	L*2PCS
	M*1PC

Assembly Steps / Montageschritte

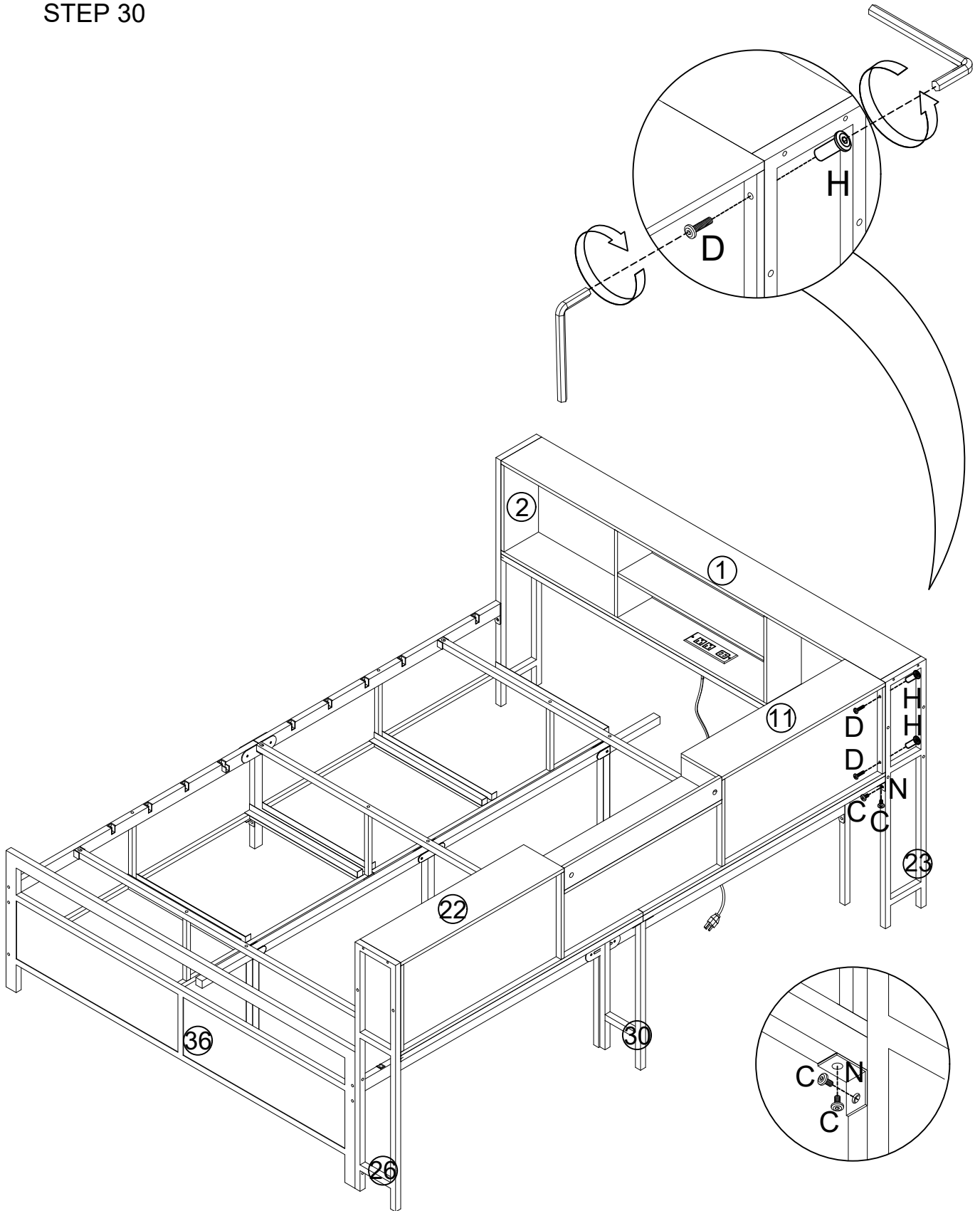
STEP 29




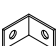


	D*2PCS
	F*2PCS
	G*2PCS
	H*2PCS

Assembly Steps / Montageschritte

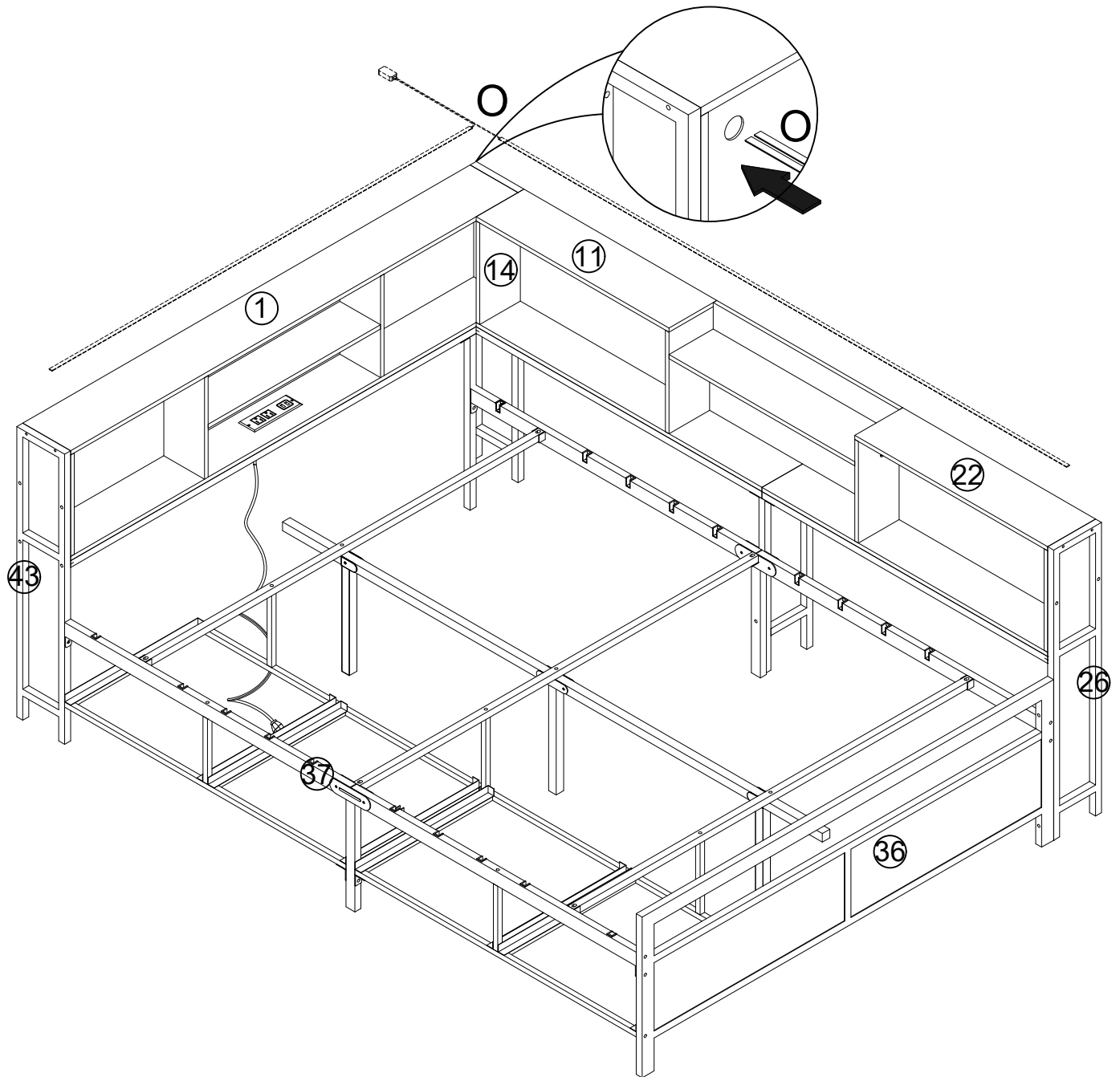
STEP 30



	C*2PCS
	D*2PCS
	H*2PCS
	N*1PC

Assembly Steps / Montageschritte

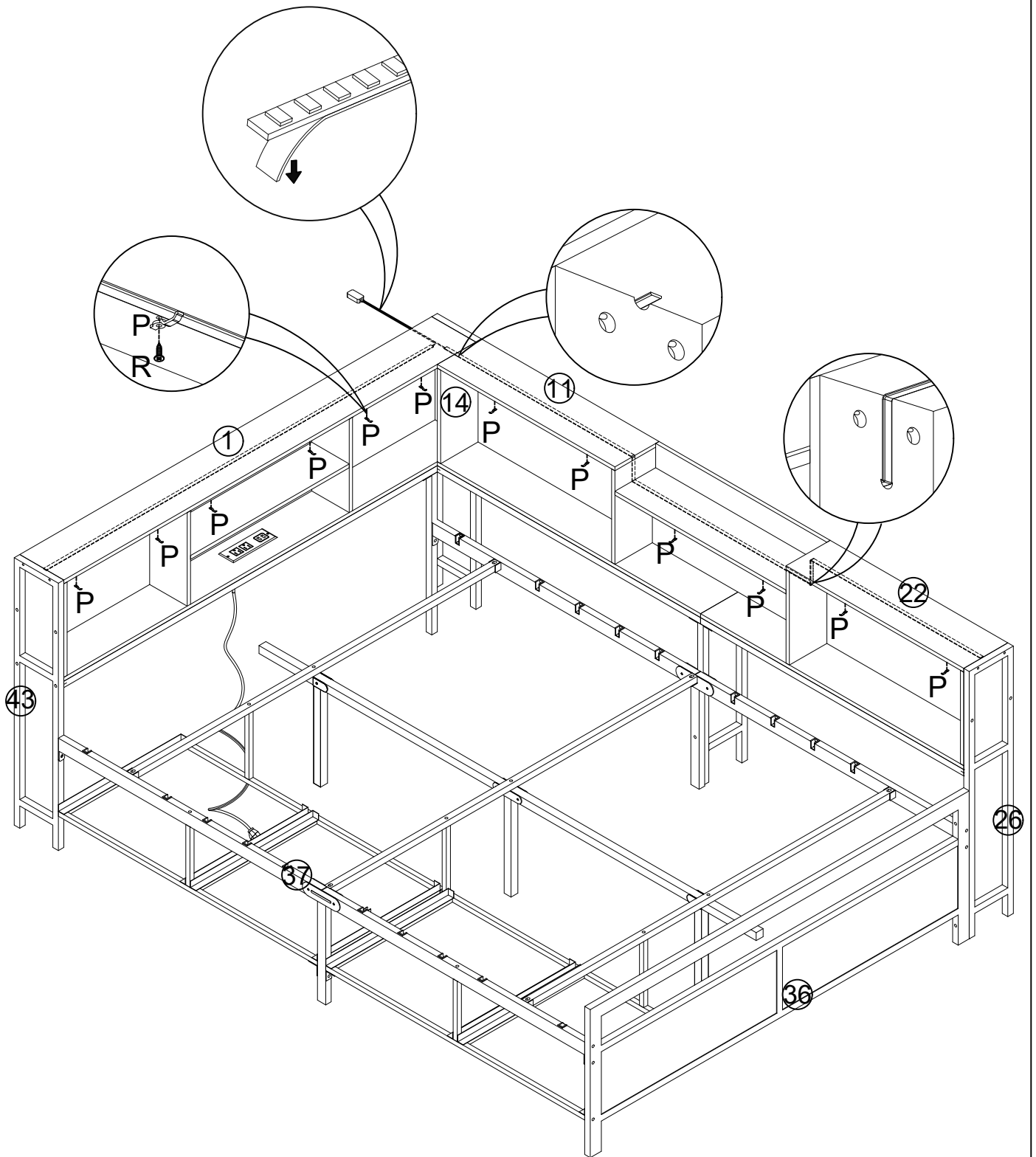
STEP 31


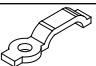


O*1PC

Assembly Steps / Montageschritte

STEP 32

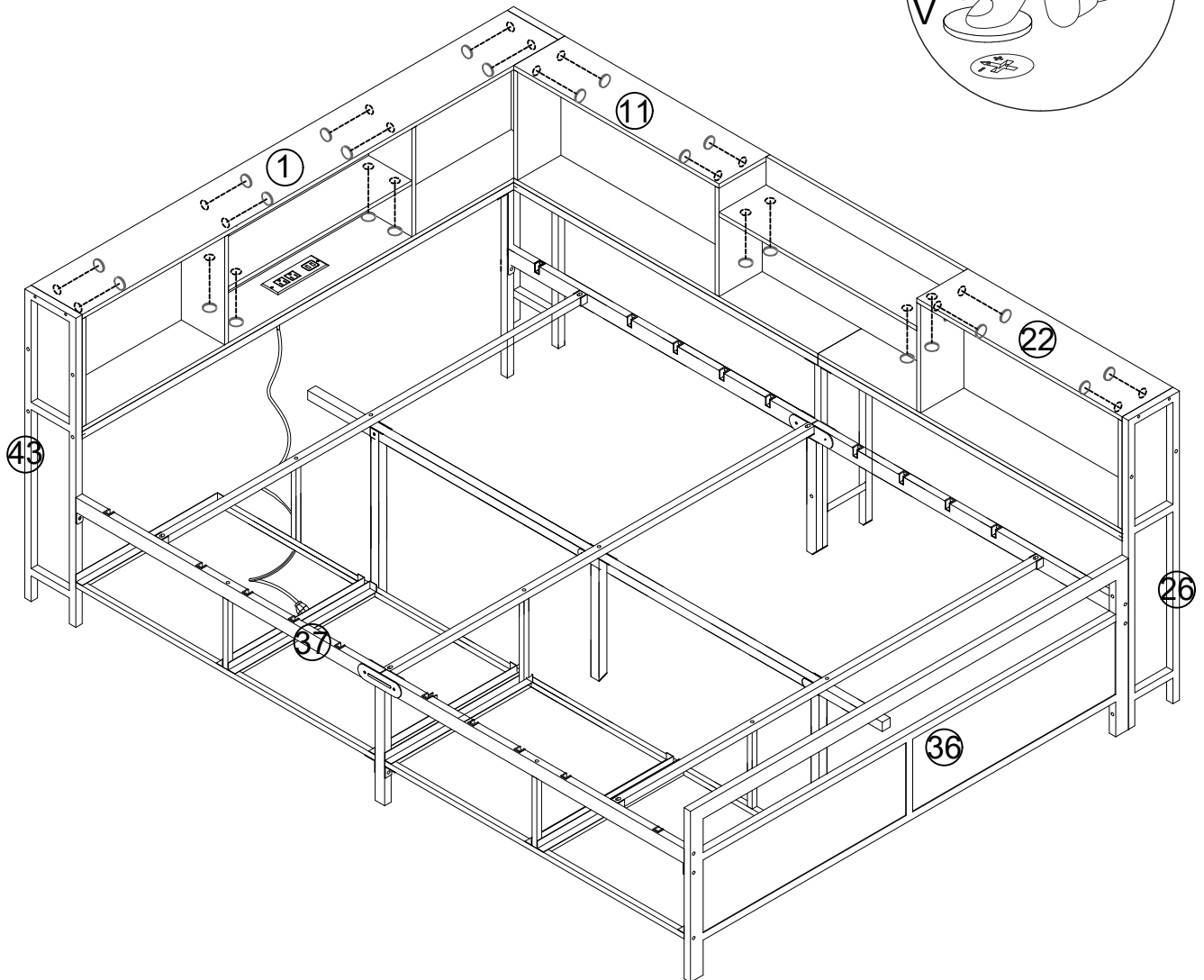
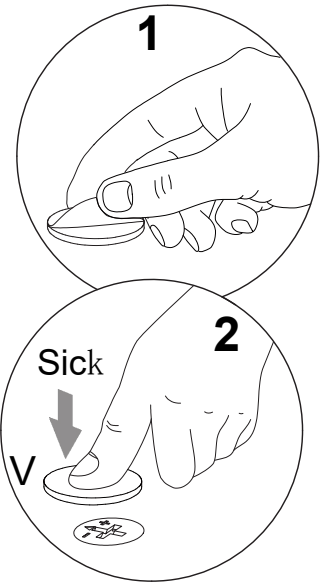


	R*12PC
	P*12PC

Assembly Steps / Montageschritte

STEP 33

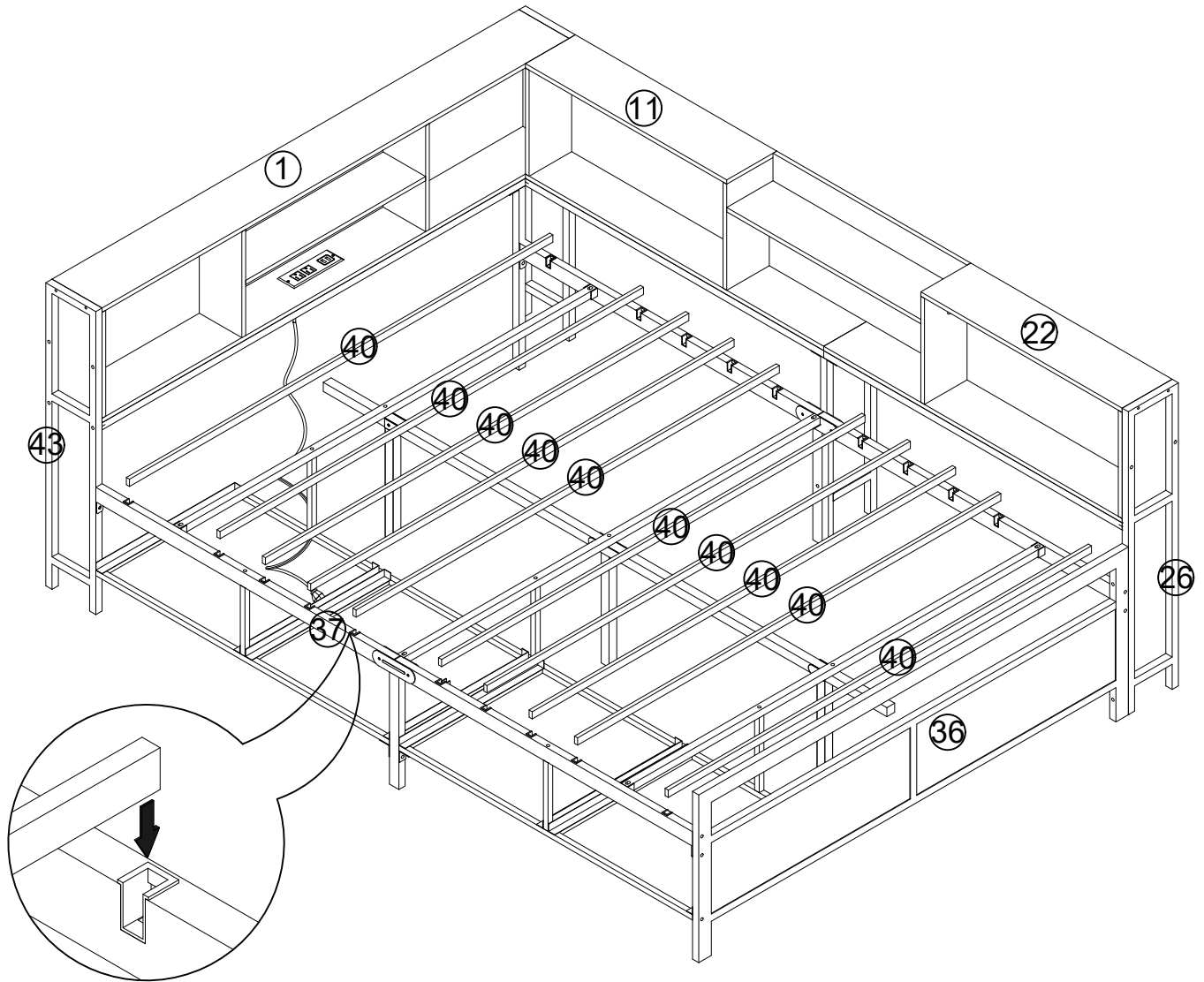
Please use masking tape to cover the exposed holes, as this will make your furniture look more beautiful



V*24PC

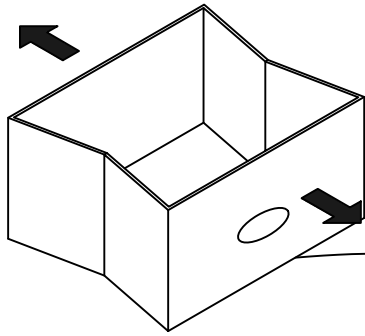
Assembly Steps / Montageschritte

STEP 34

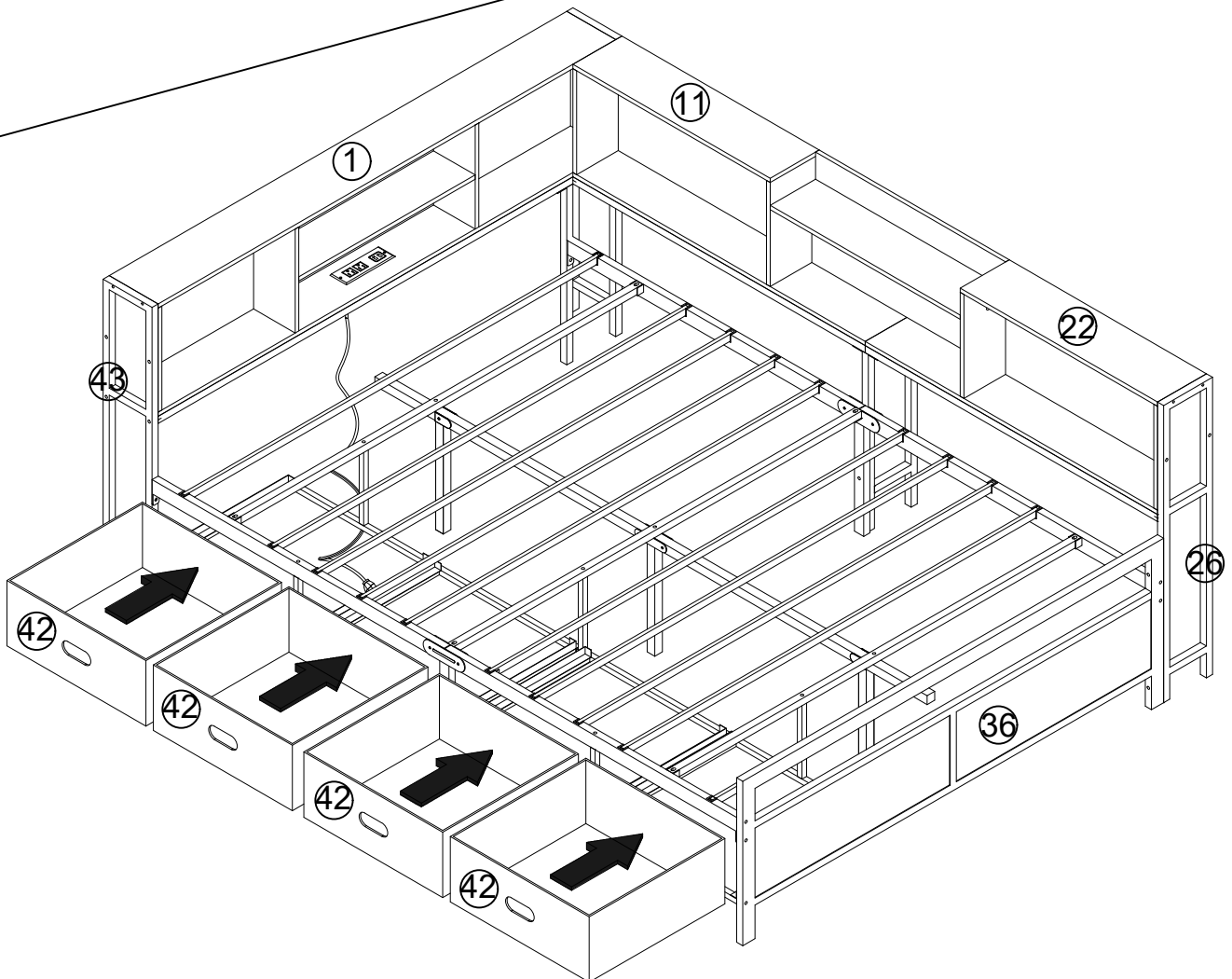
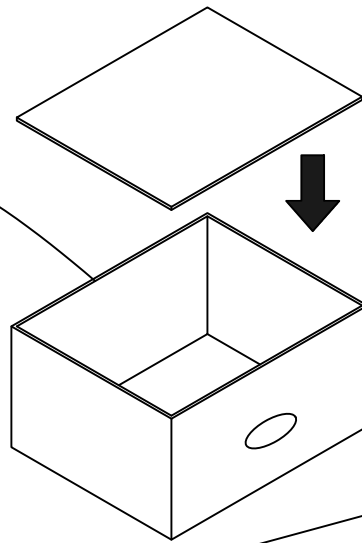


Assembly Steps / Montageschritte

STEP 35

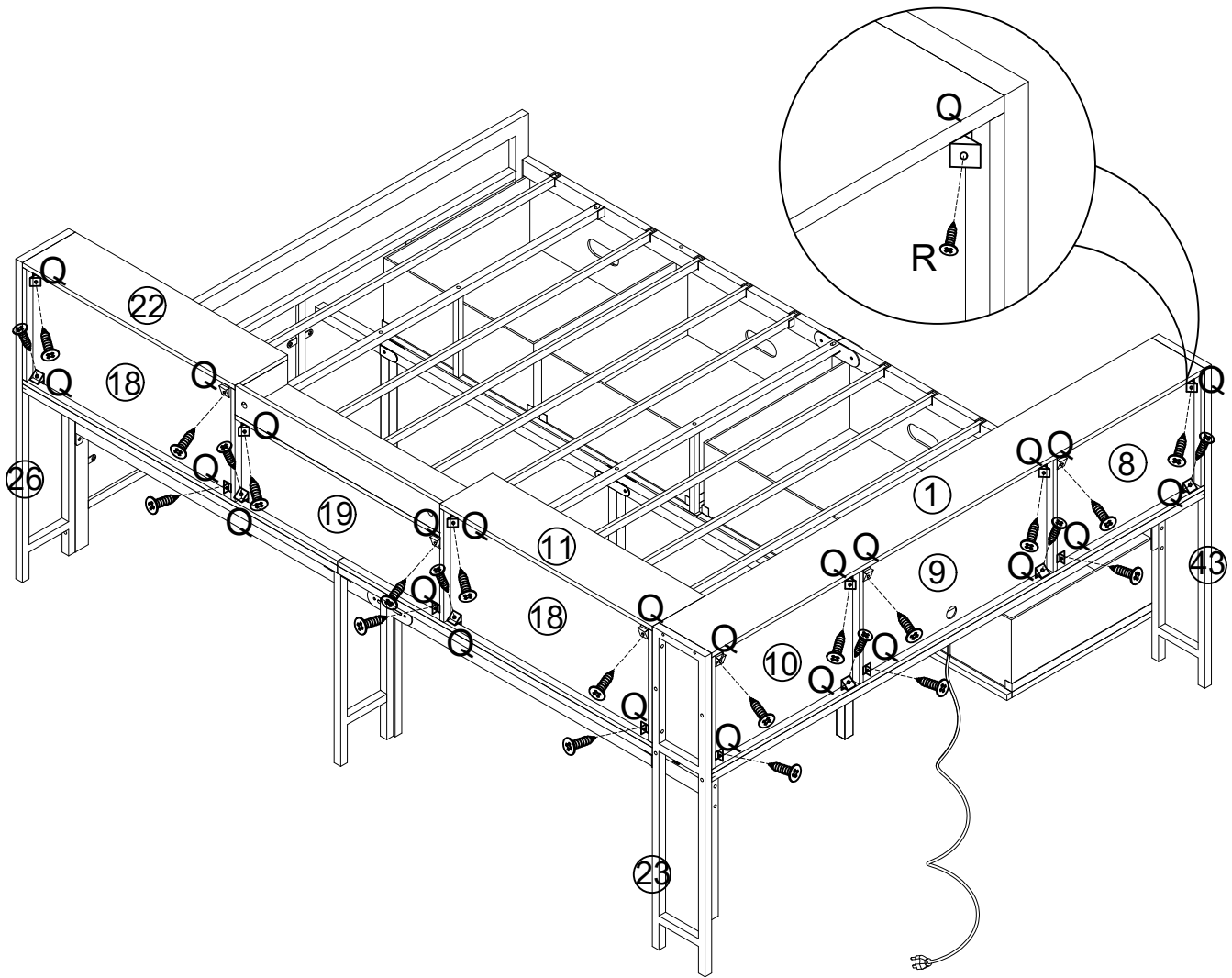




x4



Assembly Steps / Montageschritte

STEP 36



	Q*24PC
	R*24PC