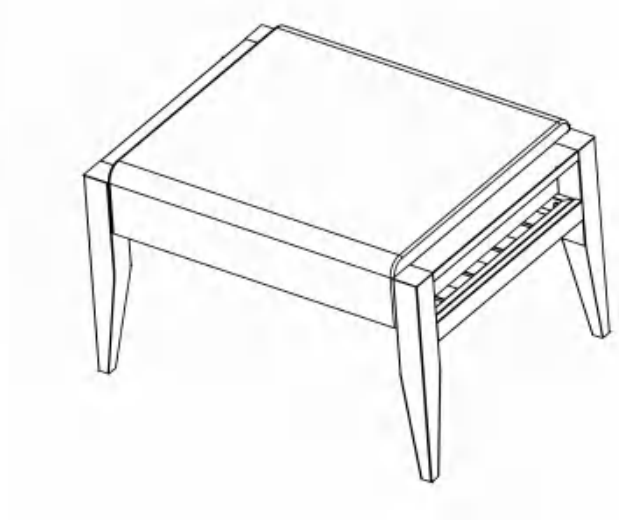
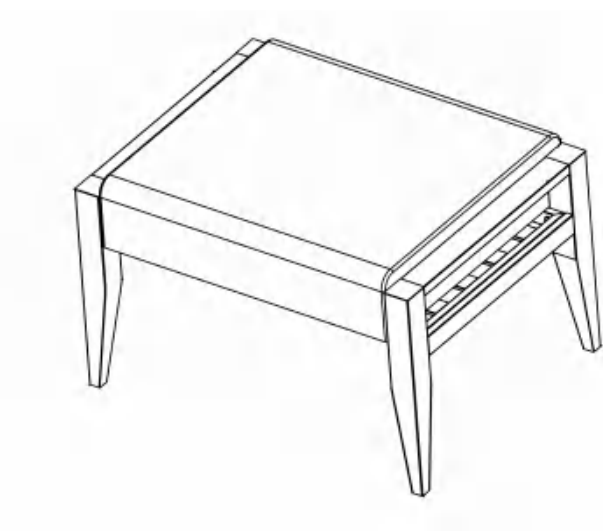




Ottoman Set



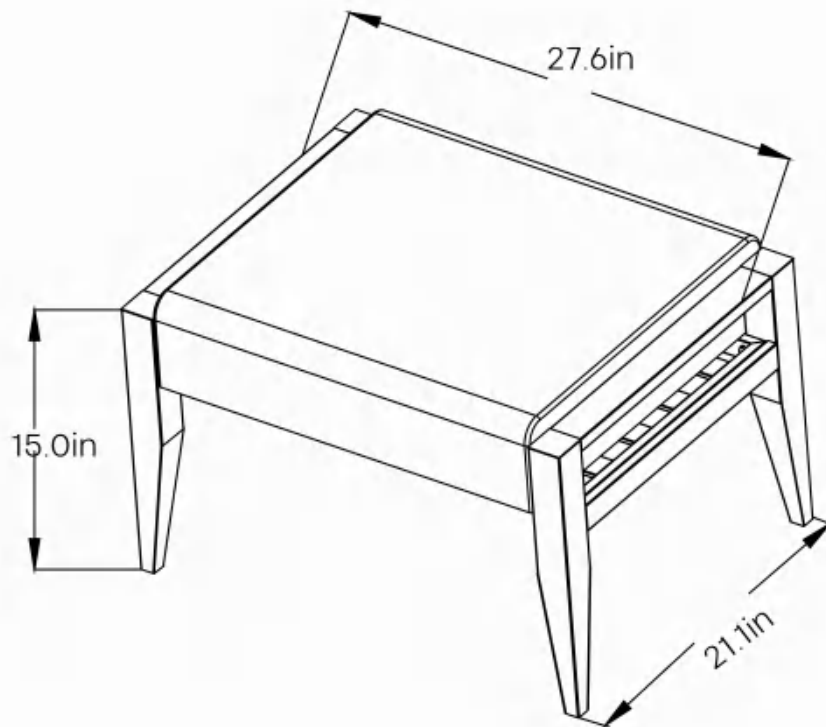
PLEASE READ AND KEEP THE INSTRUCTIONS FOR FUTURE REFERENCE.

SPECIFICATIONS

Assembled Width: 21.1in

Assembled Height: 15.0in

Assembled Length: 27.6in



CONTENTS

Specifications.....	1
Content.....	2
Important.....	3
Parts List.....	4
Installation.....	6
Maintenance & Care.....	8

Dear Valued Customer,

Thank you for choosing our MBY premium Aluminum furniture. We hope this elegant and durable piece will bring comfort and style to your living space for many years to come. This instruction manual contains important information regarding assembly, safety, care, and maintenance. Please read it carefully before use and keep it for future reference.

We're Here to Help !

Email: support@hzhonglian.com
Website: www.maisonbackyards.com
WhatsApp: +1(425)2475085
Response time: 24-48 hours

IMPORTANT

To prevent injury or damage, follow these safety precautions:

Assembly: Ensure all components are securely tightened during assembly. Periodically check and retighten as necessary.

Stability: Place the furniture on a flat, level surface to prevent tipping.

Children & Pets: Supervise children and pets around the furniture. Do not allow children to climb or play roughly on the furniture.

Moving: Always lift the furniture when moving. Dragging can damage the table legs. For larger items, seek assistance.



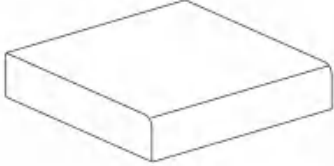
Outdoor Use : Although designed for outdoor use, prolonged exposure extreme weather conditions (heavy rain, snow, intense sunlight) may affect longevity. Consider using furniture cover when not in use for extended periods.

Cleaning: Use only recommended cleaning methods as outlined in this manual.

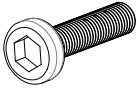


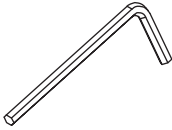
Scan the QR code to learn more about our product



PARTS LIST BOX -Ottoman X2

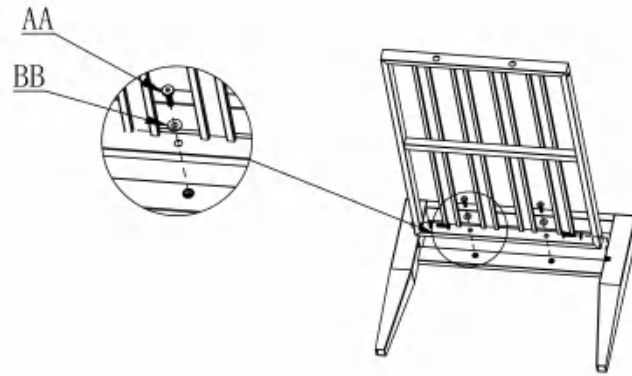
<p>(A) × 2</p> 	<p>(B) × 1</p> 	<p>(C) × 1</p> 
Ottoman Legs	Seat Plate	Cushion

PARTS LIST -Screw Set X 2

<p>(AA) × 8</p>  Bolt M6x25	<p>(BB) × 12</p>  Washers	<p>(CC) × 8</p>  Bolt Caps	<p>(DD) × 1</p>  Spanner
---	---	---	--

Step 1

Attach the Seat Plate(B) to the Ottoman leg (A) with bolts (AA) and washers(BB).



A x1



B x1



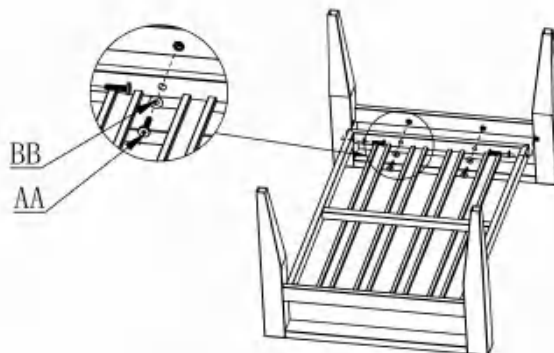
AA(M6*25) x 4



BB (M6) x 4

Step 2

Attach the another Ottoman leg(A) to the Seat Plate(B) with bolts(AA) and washers(BB)



A x1



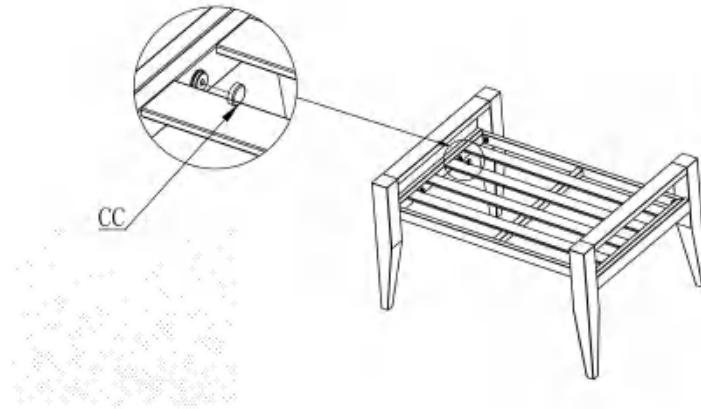
AA(M6*25) x 4



BB (M6) x 4

Step 3

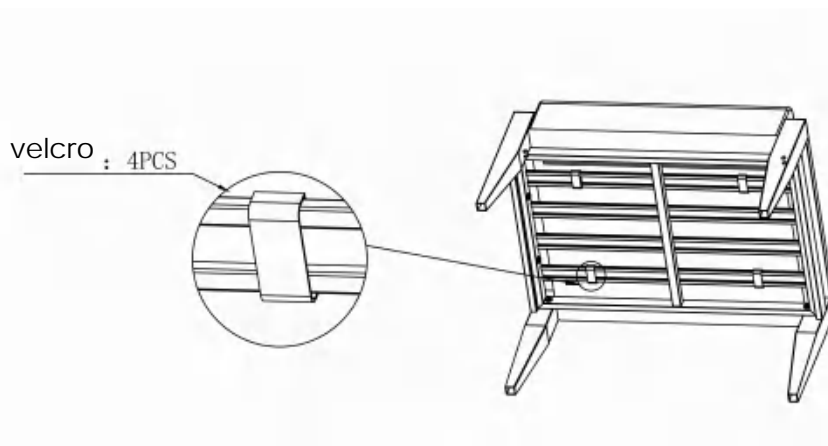
Press the Bolt Caps((CC) on the bolts.



CC x8

Step 4

Place the Cushion(C) onto Ottoman and secure it with velcro.



velcro : 4PCS



C x1

Step 5

Turn the Ottoman upright.

The installation is complete and it is ready for use now. .



Final Check: Once assembly is complete, ensure all screws and fittings are tight and all components are securely attached.

Sofa cover washing instruction



Back pillow



Take the back insert
out of the fabric cover



Wash the cloth cover
after removing it



Seat Cushion



Take the cushion insert
out of the fabric cover

Maintenance and Care

To preserve the quality and appearance of your outdoor aluminum Furniture , follow these guidelines:

Cleaning – Wipe surfaces regularly with a soft, damp cloth and mild soap solution. Avoid abrasive cleaners or harsh chemicals that may damage the finish. Dry thoroughly to prevent water spots.

Protection – Apply a UV-resistant furniture wax or protective coating every 3-6 months to maintain the aluminum ' s resistance to weathering and oxidation.

Stain Removal – Address spills promptly. For stubborn stains, use a non-abrasive cleaner diluted in warm water. Test on an inconspicuous area first.

Scratch Prevention – Avoid placing sharp or heavy objects directly on the furniture . Use coasters or placemats to protect the surface.

Storage

If the sofa set is not in use for extended periods, cover the furniture or store it indoors i n a dry, cool location to prevent damage from weather or dirt.