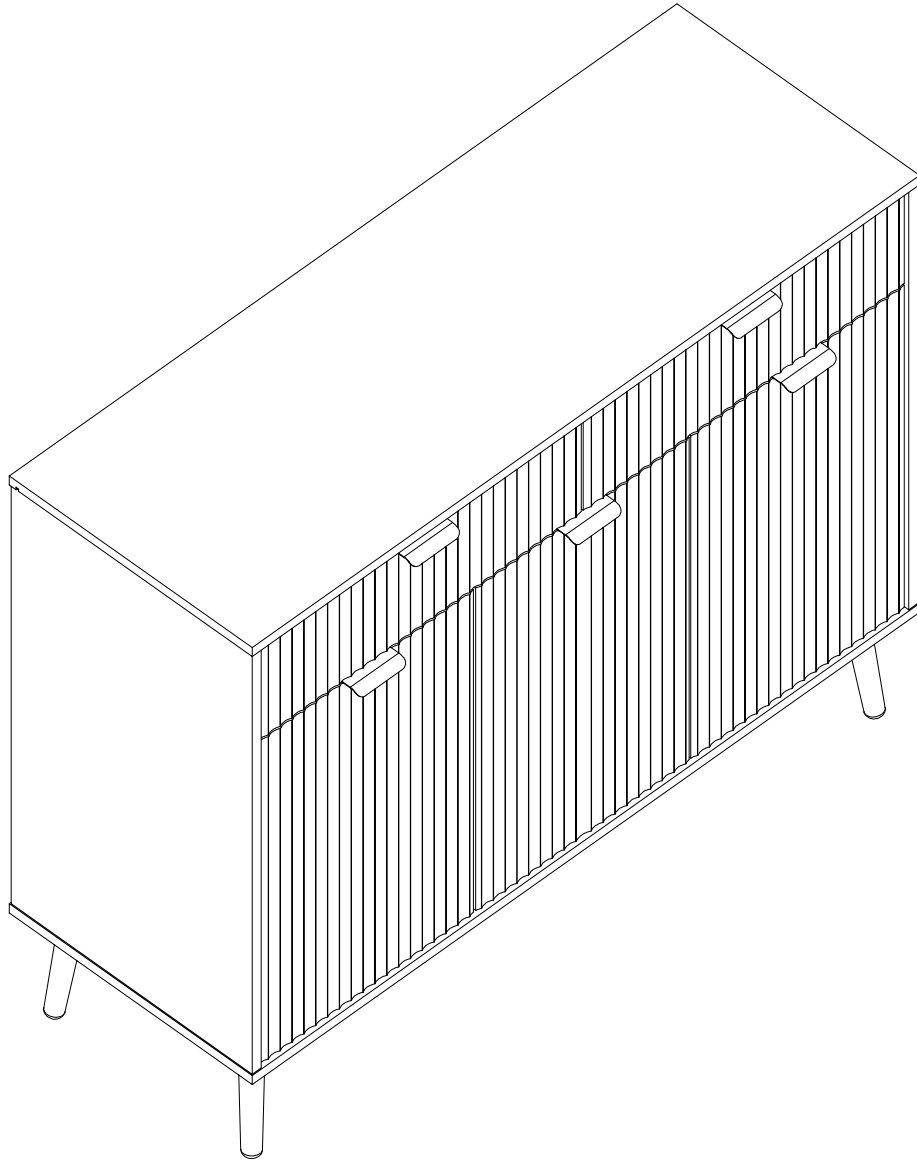
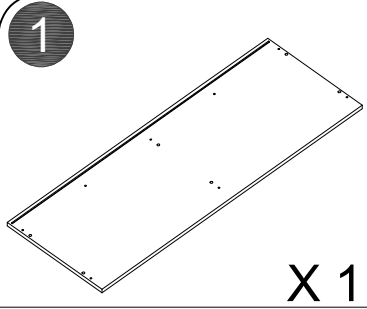
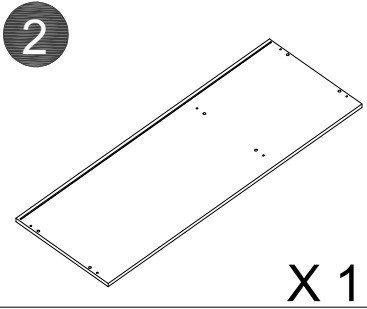
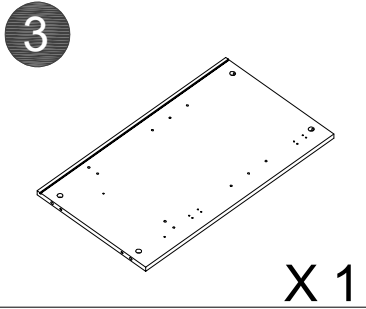
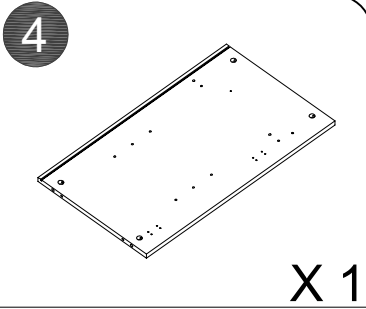
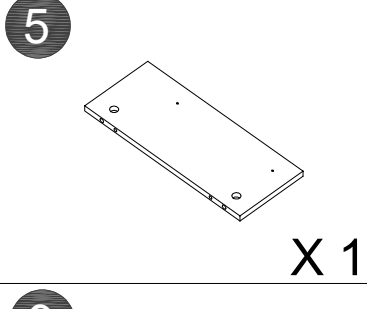
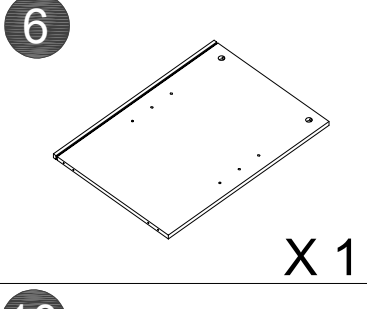
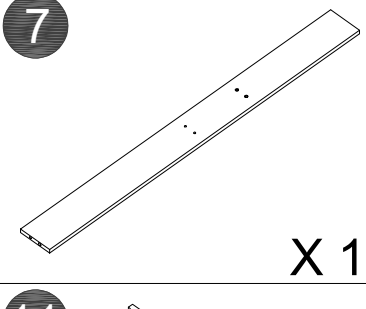
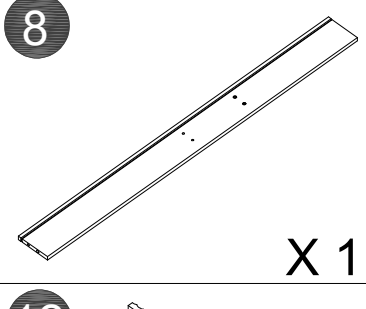
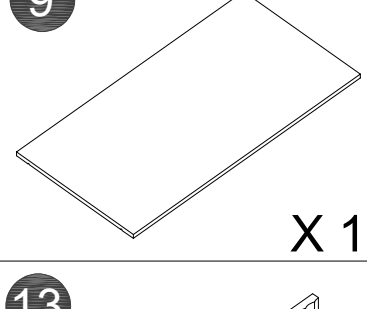
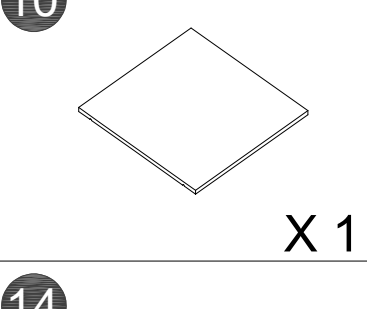
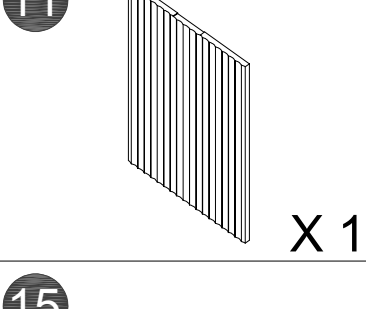
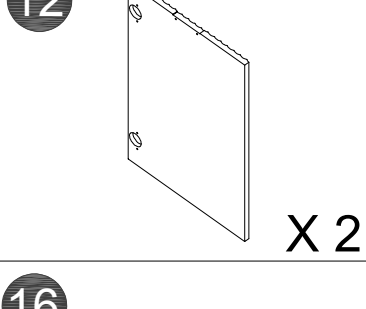
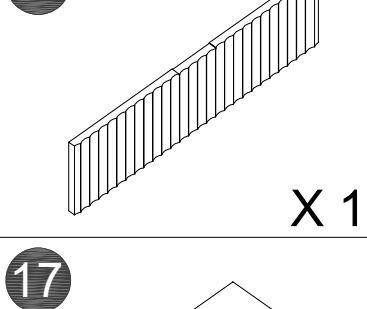
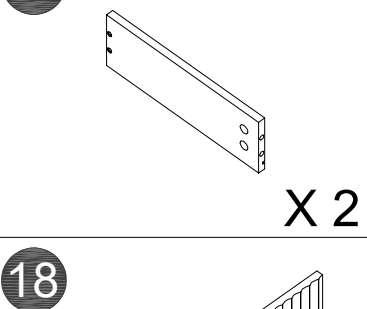
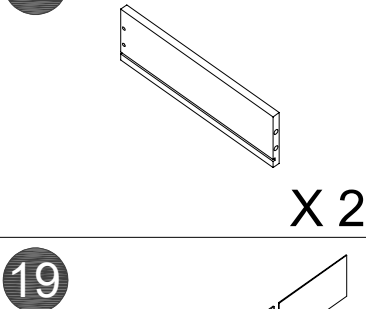
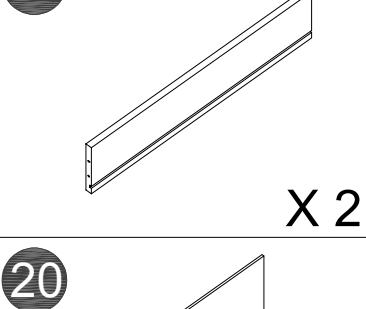
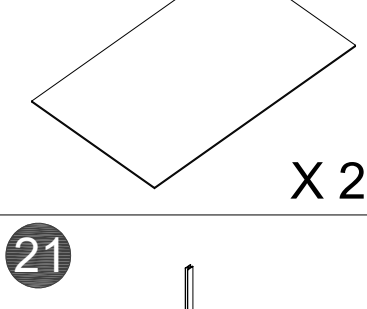
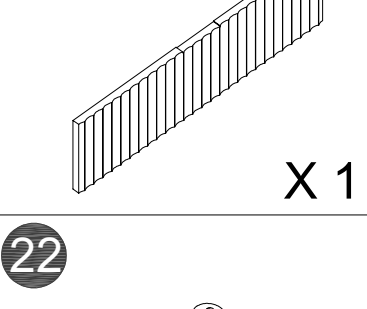
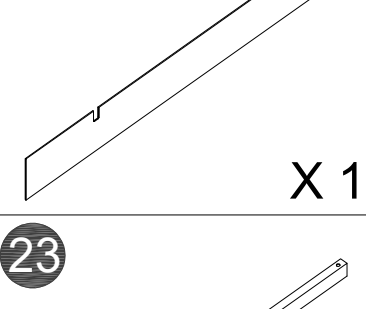
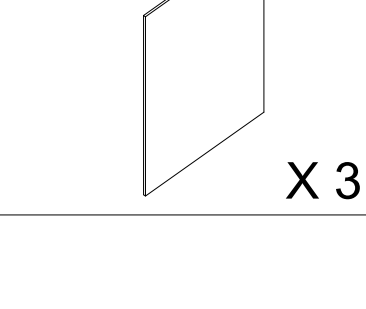
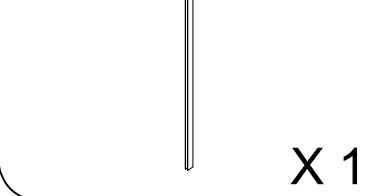
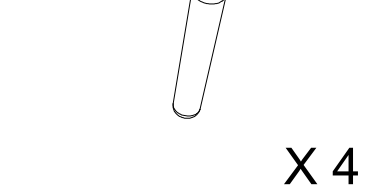
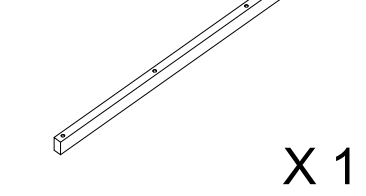


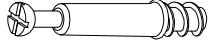
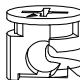

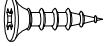
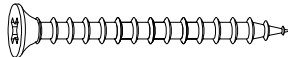
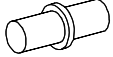

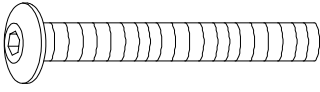

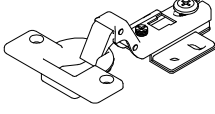
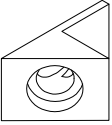
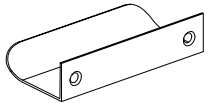

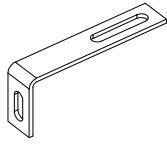
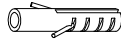
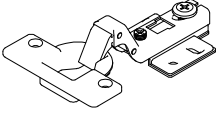
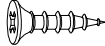
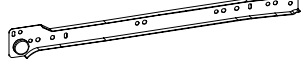
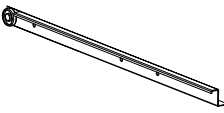
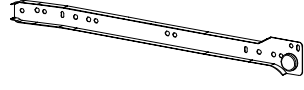
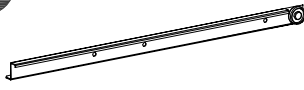
# Installation & Assembly

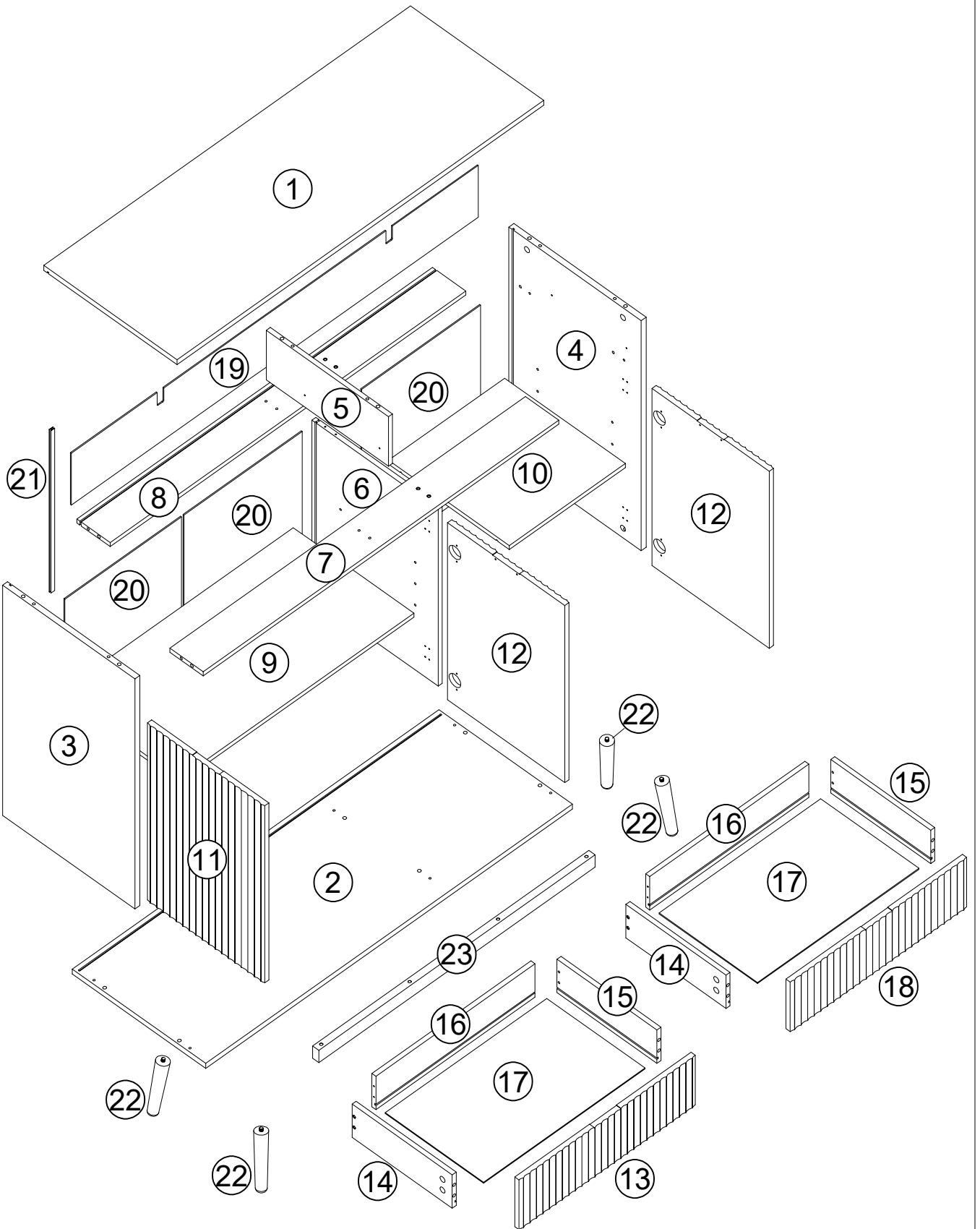


# ASSEMBLY INSTRUCTION

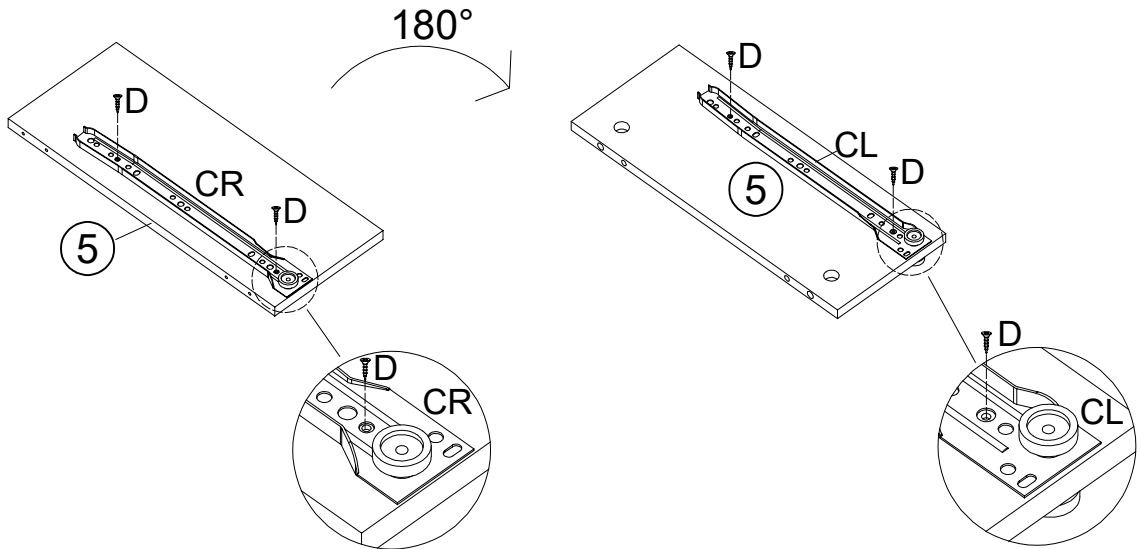
THANKS for buying our products,read it carefully before installation(Attention:Don't tighten the screws before all screws are in place.). If the screws and holes don't match.Pls carefully check whether there is an error or loosen some associated screws to rectify.Thanks for your patience!

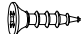


 <p>1</p> <p>X 1</p>	 <p>2</p> <p>X 1</p>	 <p>3</p> <p>X 1</p>	 <p>4</p> <p>X 1</p>
 <p>5</p> <p>X 1</p>	 <p>6</p> <p>X 1</p>	 <p>7</p> <p>X 1</p>	 <p>8</p> <p>X 1</p>
 <p>9</p> <p>X 1</p>	 <p>10</p> <p>X 1</p>	 <p>11</p> <p>X 1</p>	 <p>12</p> <p>X 2</p>
 <p>13</p> <p>X 1</p>	 <p>14</p> <p>X 2</p>	 <p>15</p> <p>X 2</p>	 <p>16</p> <p>X 2</p>
 <p>17</p> <p>X 2</p>	 <p>18</p> <p>X 1</p>	 <p>19</p> <p>X 1</p>	 <p>20</p> <p>X 3</p>
 <p>21</p> <p>X 1</p>	 <p>22</p> <p>X 4</p>	 <p>23</p> <p>X 1</p>	

<p><b>A</b> X 24</p>  <p>M6x35mm</p>	<p><b>B</b> X 24</p>  <p>Φ15mm</p>	<p><b>C</b> X 16</p>  <p>Φ6x30mm</p>	
<p><b>D</b> X 60</p>  <p>M3.5x12mm</p>	<p><b>E</b> X 18</p>  <p>M4x40mm</p>	<p><b>F</b> X 8</p> 	
<p><b>G</b> X 4</p> 	<p><b>H</b> X 4</p>  <p>M6x50mm</p>	<p><b>I</b> X 14</p>  <p>Ø20mm</p>	
<p><b>J</b> X 2</p>  <p>Small Curved</p>	<p><b>K</b> X 12</p> 	<p><b>L</b> X 5</p> 	
<p><b>M</b> X 1</p>  <p>4#</p>	<p><b>N</b> X 2</p> 	<p><b>O</b> X 2</p> 	<p><b>P</b> X 4</p>  <p>Large Curved</p>
<p><b>Q</b> X 36</p>  <p>M4x14mm</p>	<p><b>CL</b> X 2</p> 	<p><b>DL</b> X 2</p> 	
	<p><b>CR</b> X 2</p> 	<p><b>DR</b> X 2</p> 	

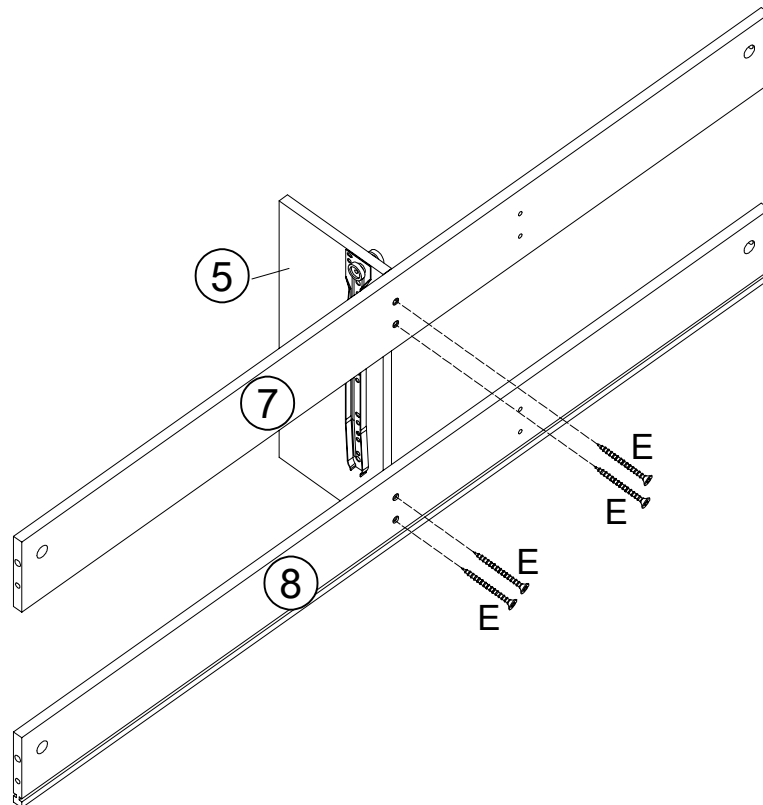


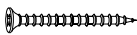
### STEP 1



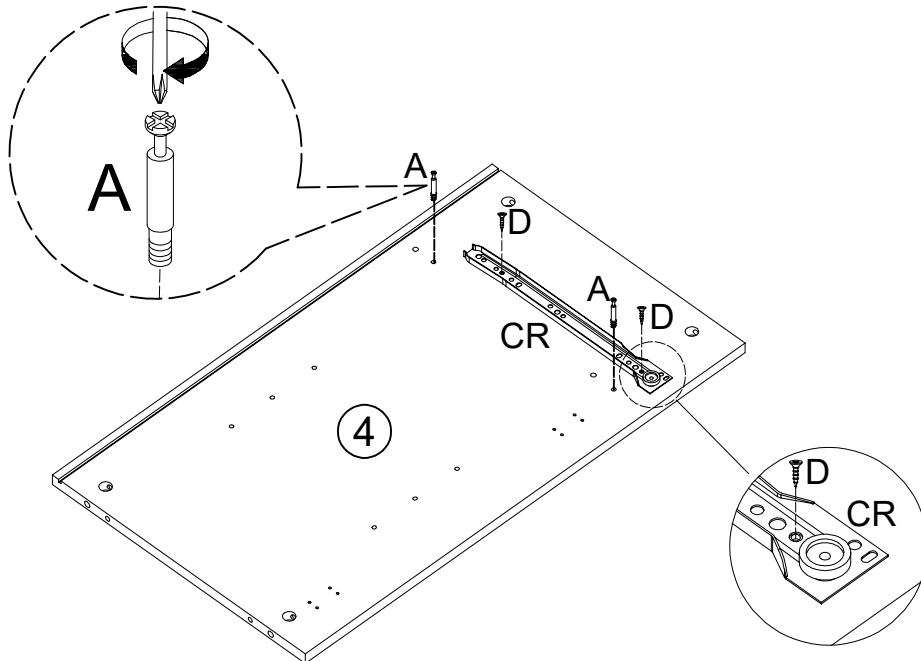
D	x4	CL	x1	CR	x1
					
M3.5x12mm					

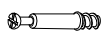


### STEP 2



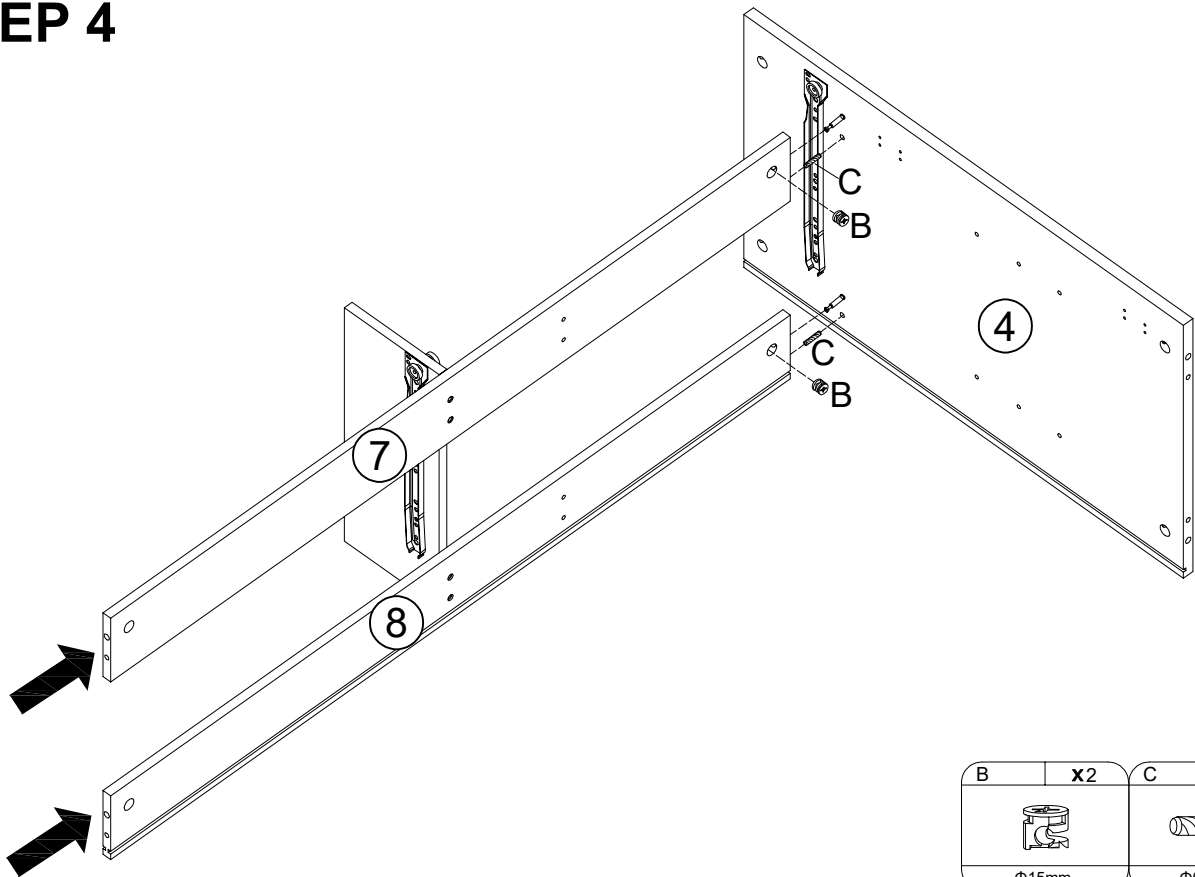
E	x4
	
M4x40mm	



### STEP 3



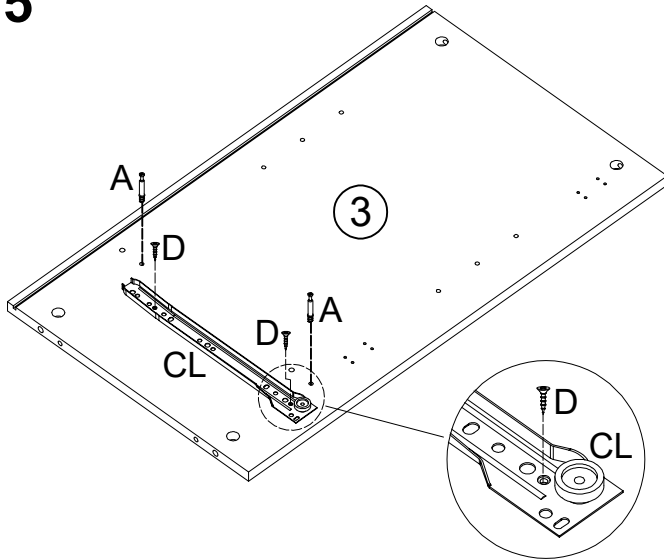
A	x2	D	x2	CR	x1
					
M6x35mm		M3.5x12mm			

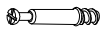
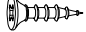

### STEP 4



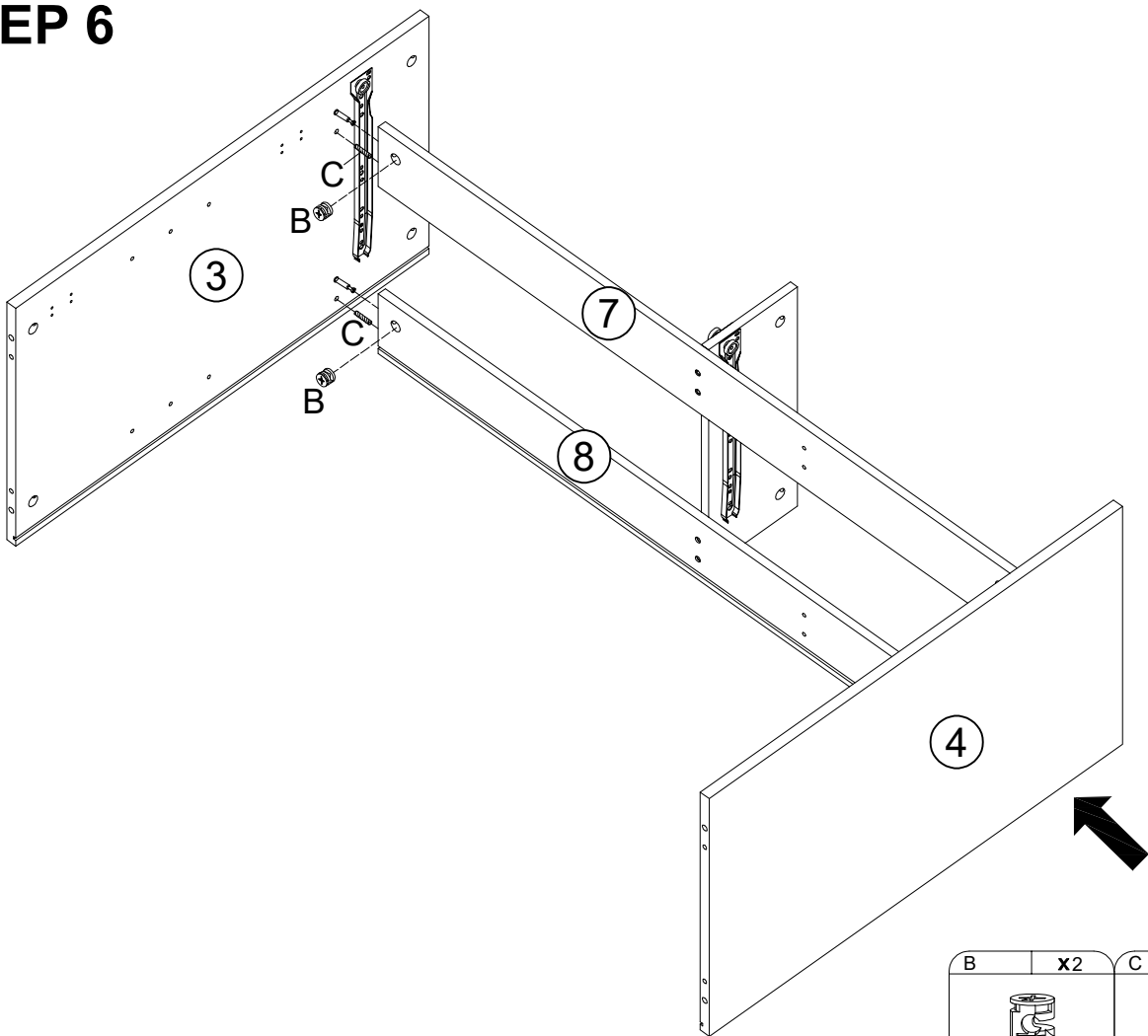
B	x2	C	x2
			
Φ15mm		Φ6x30mm	


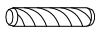
### STEP 5



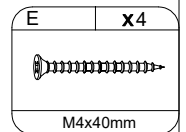
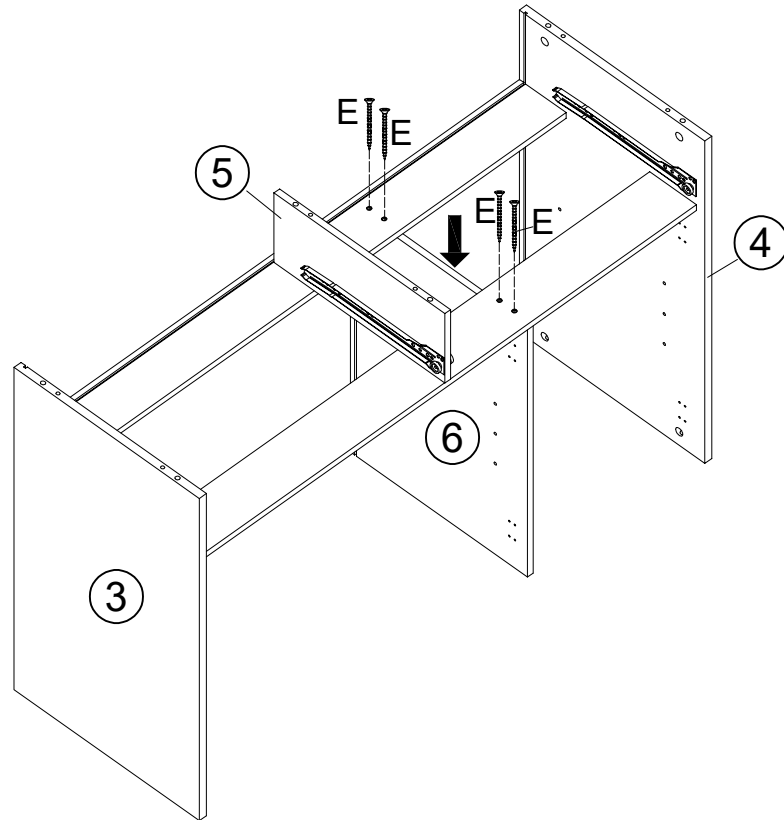
A	x2	D	x2	CL	x1
					
M6x35mm		M3.5x12mm			

### STEP 6

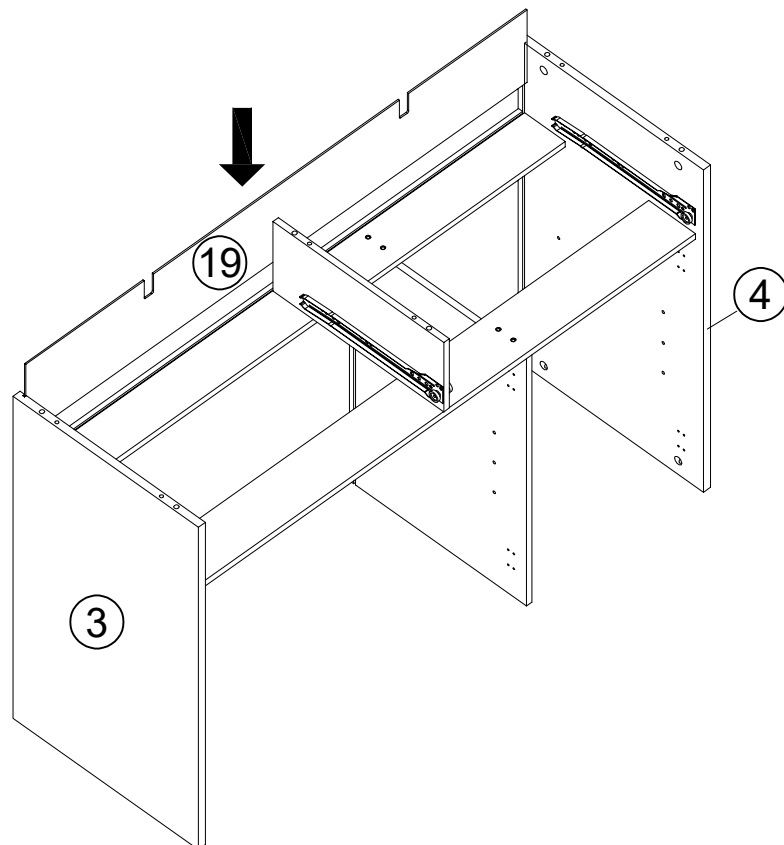


B	x2	C	x2
			
Φ15mm		Φ6x30mm	

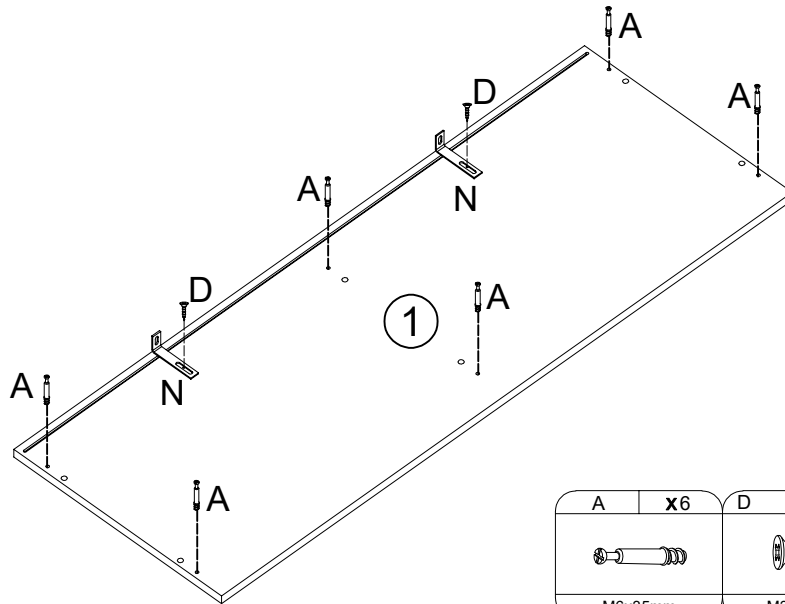
### STEP 7



### STEP 8

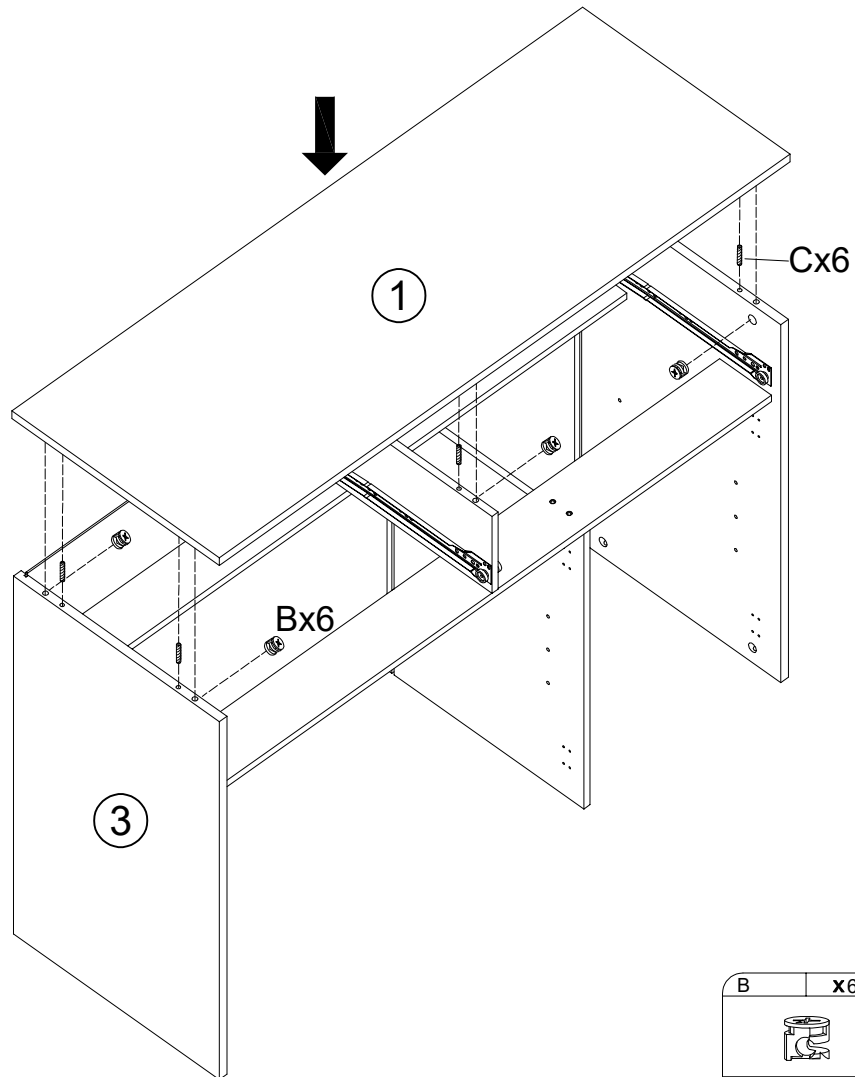


### STEP 9



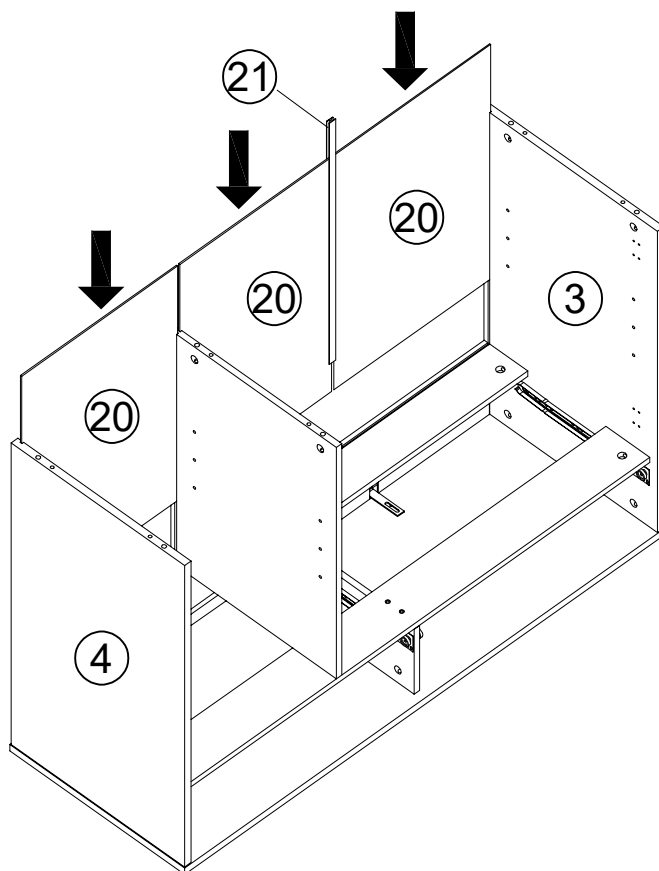
A	x6	D	x2	N	x2
M6x35mm		M3.5x12mm			

### STEP 10

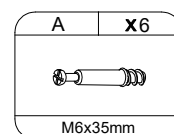
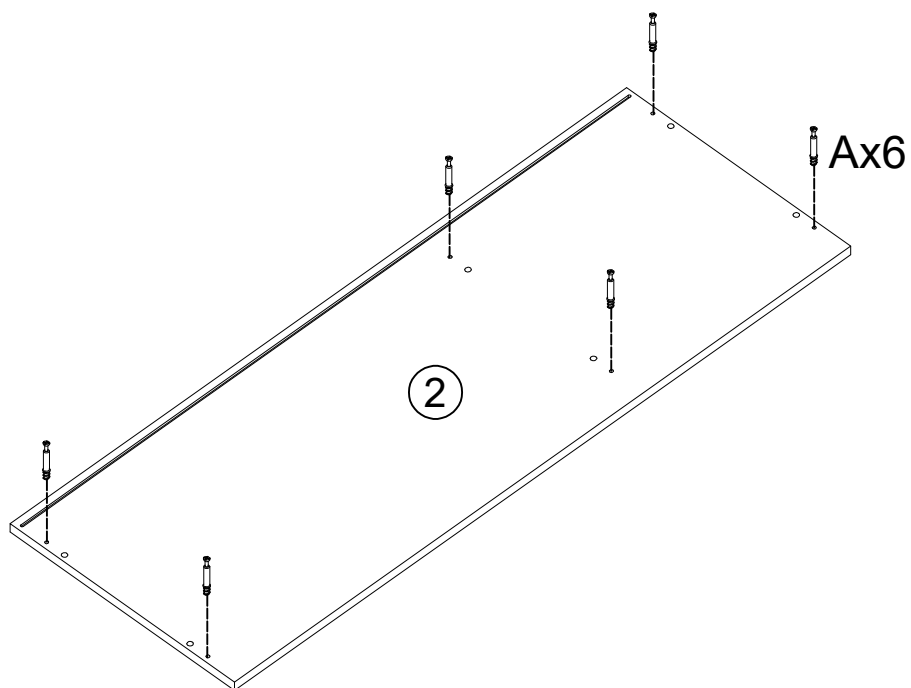


B	x6	C	x6
Φ15mm		Φ6x30mm	

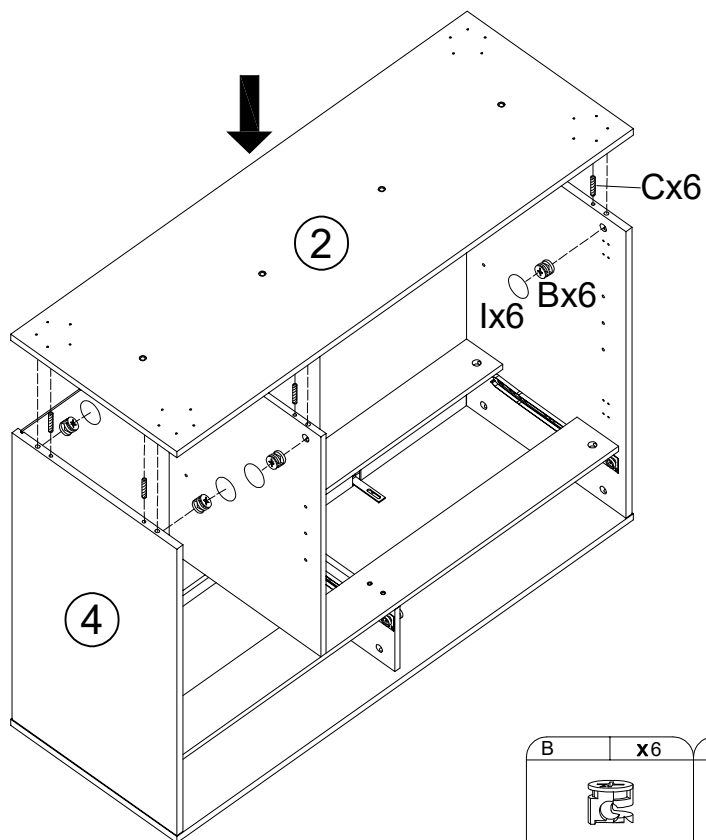
### STEP 11



### STEP 12

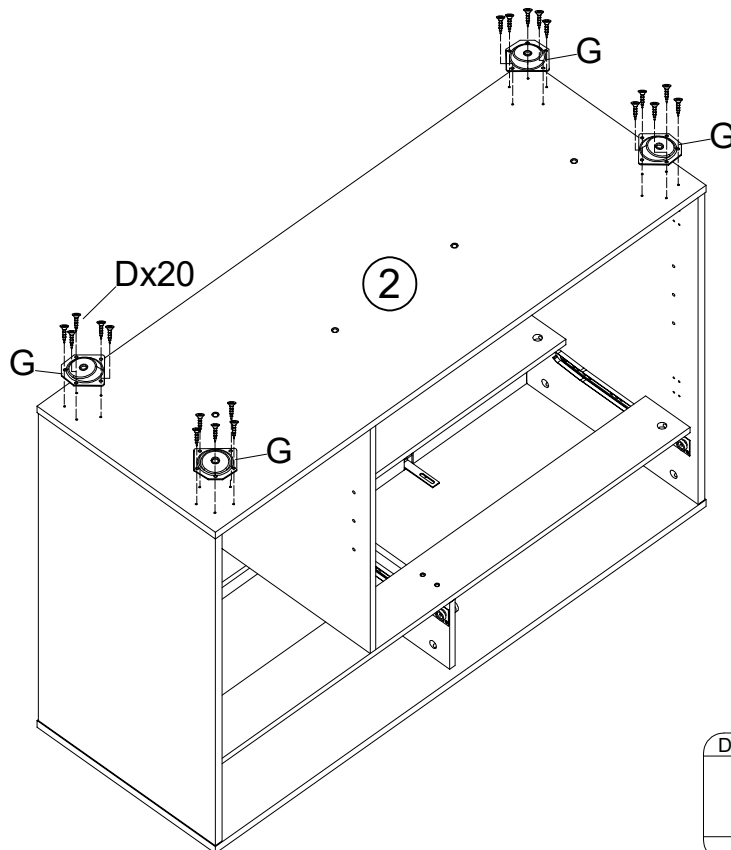


### STEP 13



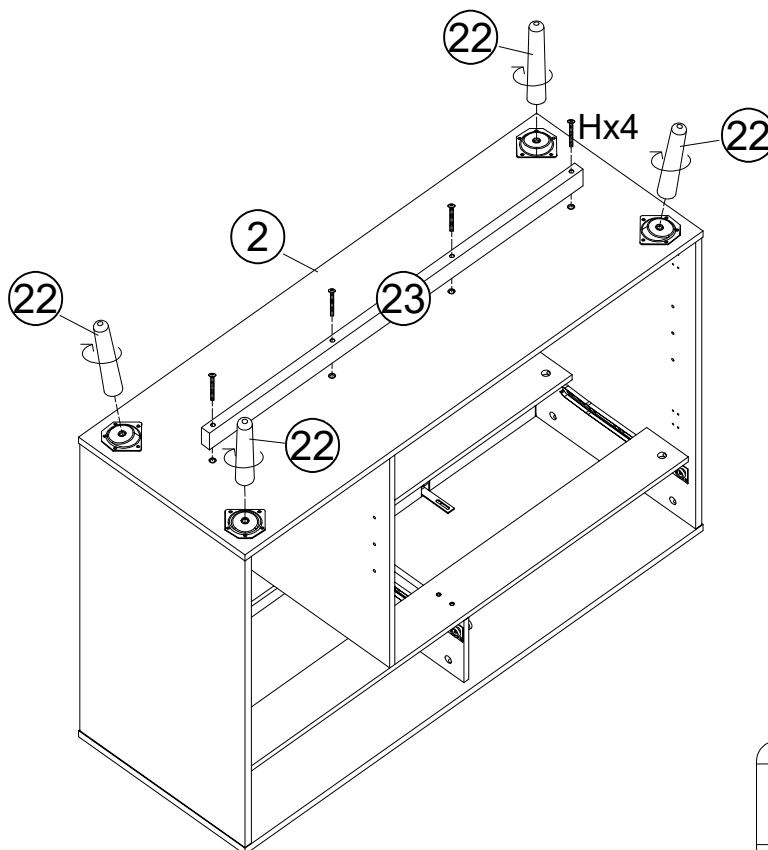
B	x6	C	x6	I	x6
Φ15mm		Φ6x30mm		Φ20mm	



### STEP 14



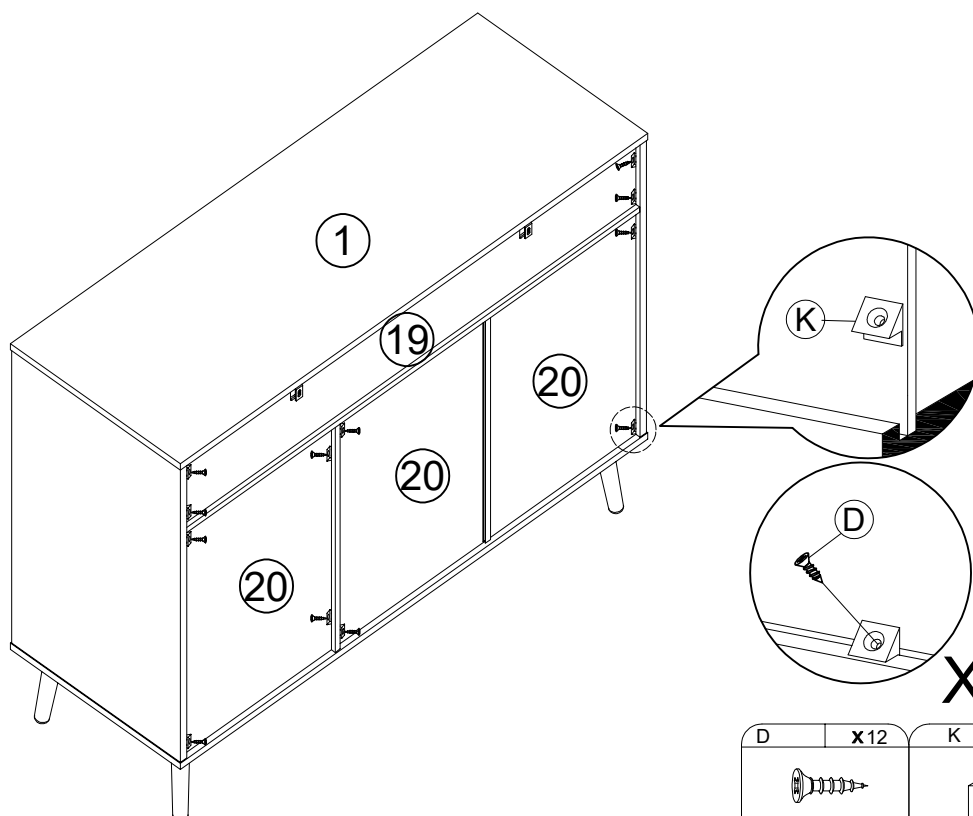
D	x20	G	x4
M3.5x12mm			

### STEP 15

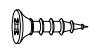



H	x4	M	x1
			
M6x50mm		4#	

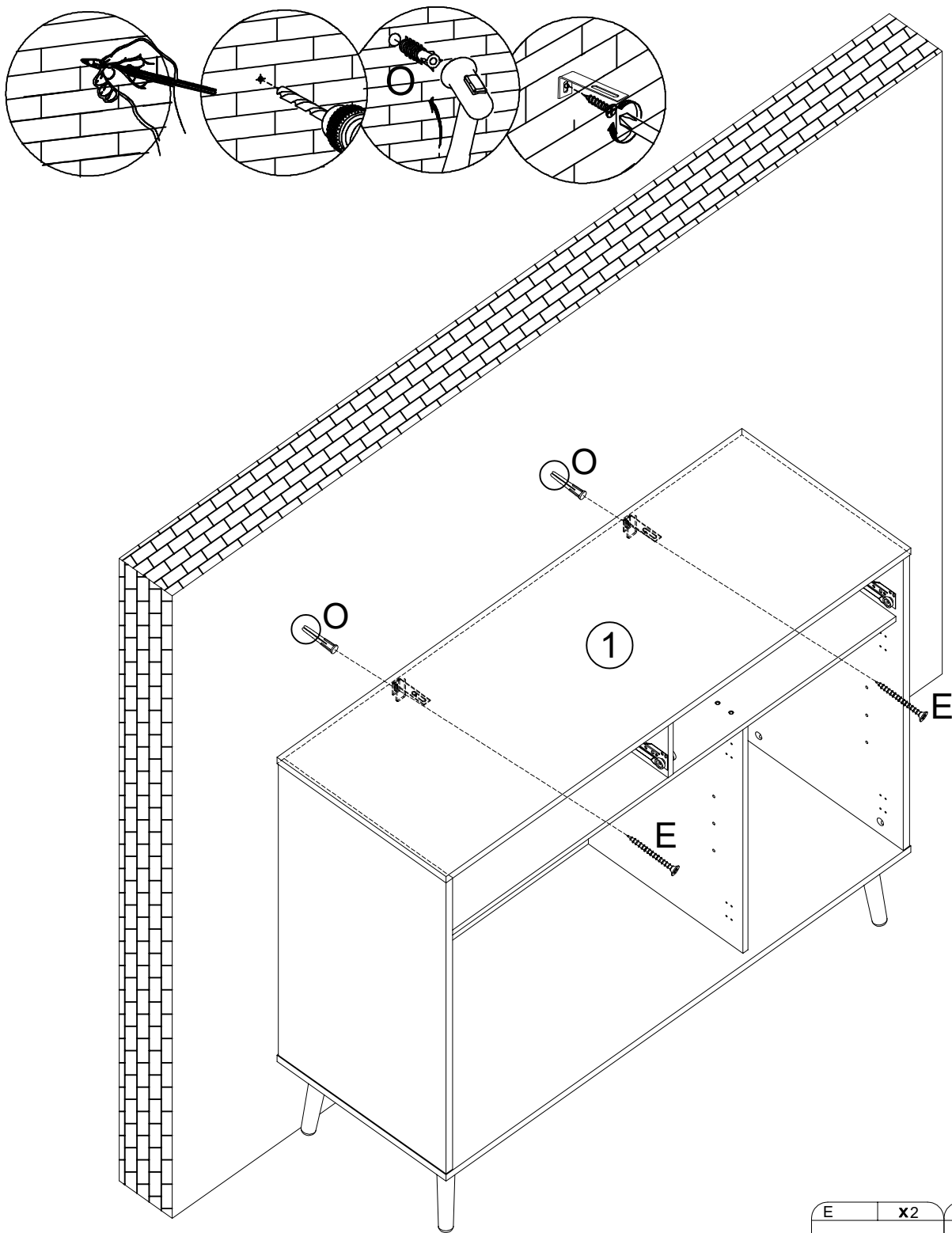
### STEP 16

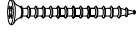



X12

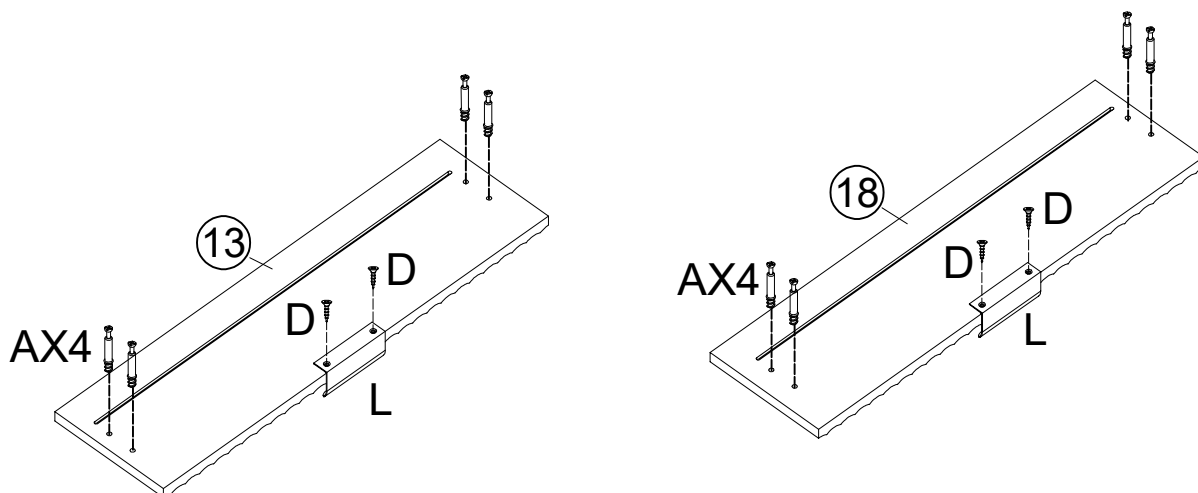
D	x12	K	x12
			
M3.5x12mm			

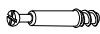
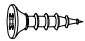
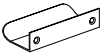
# STEP 17



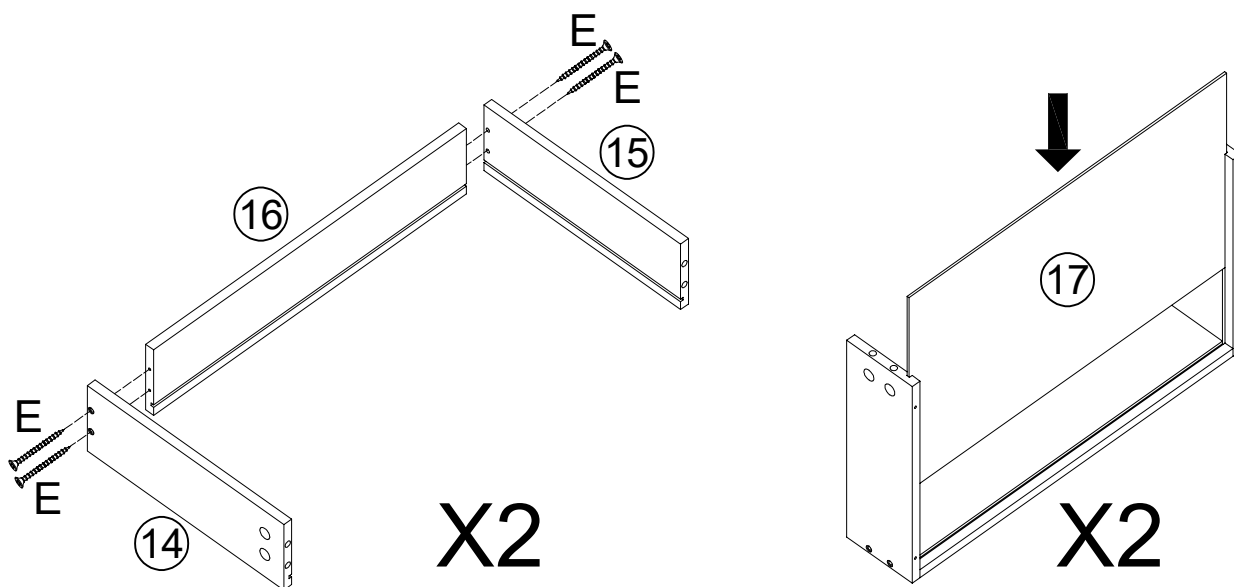
E	x2	O	x2
			
M4x40mm			

### STEP 18



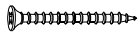
A	x8	D	x4	L	x2
					
M6x35mm		M3.5x12mm			

### STEP 19

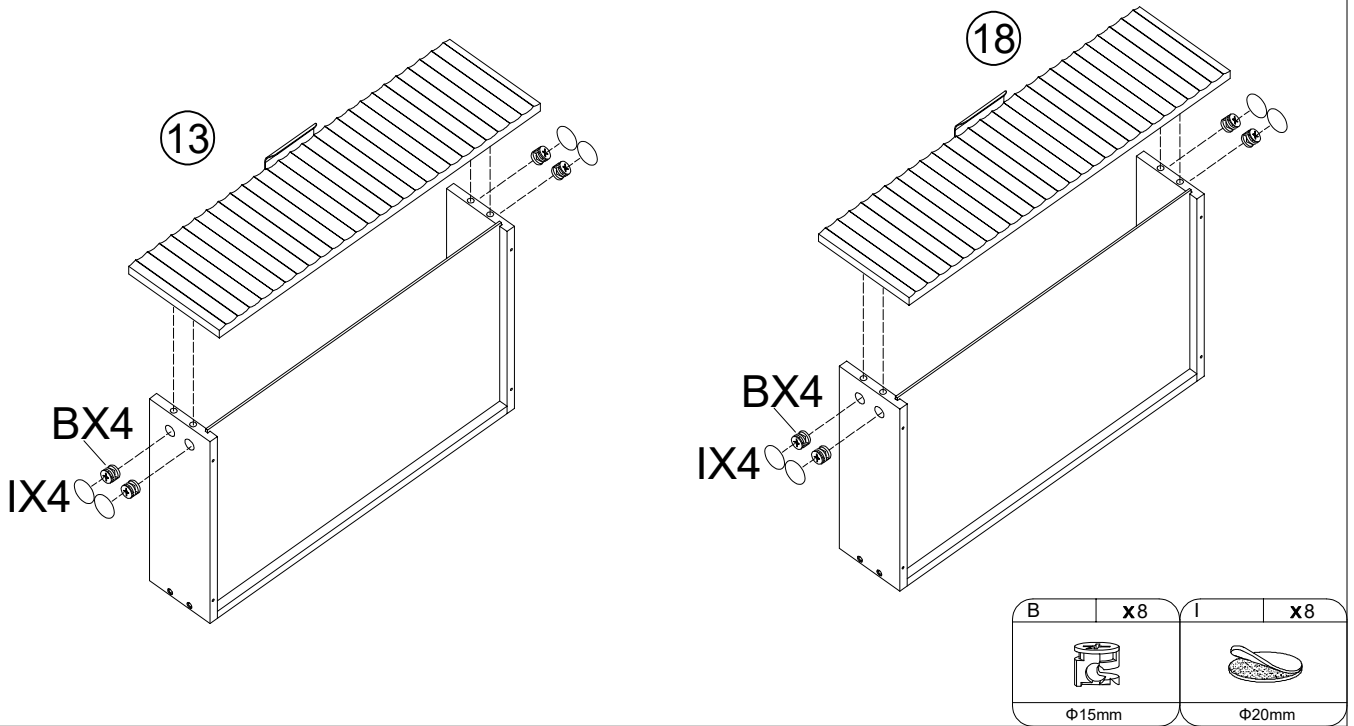


X2

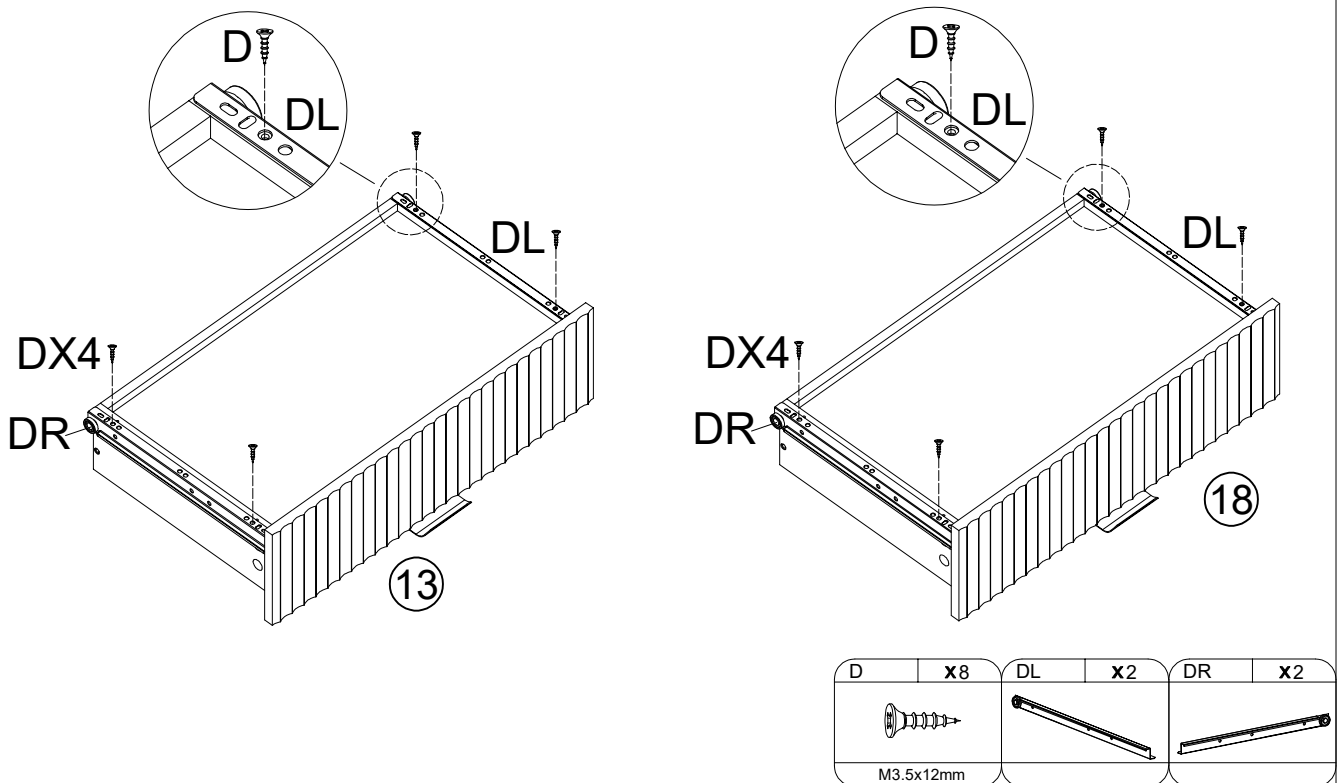
X2

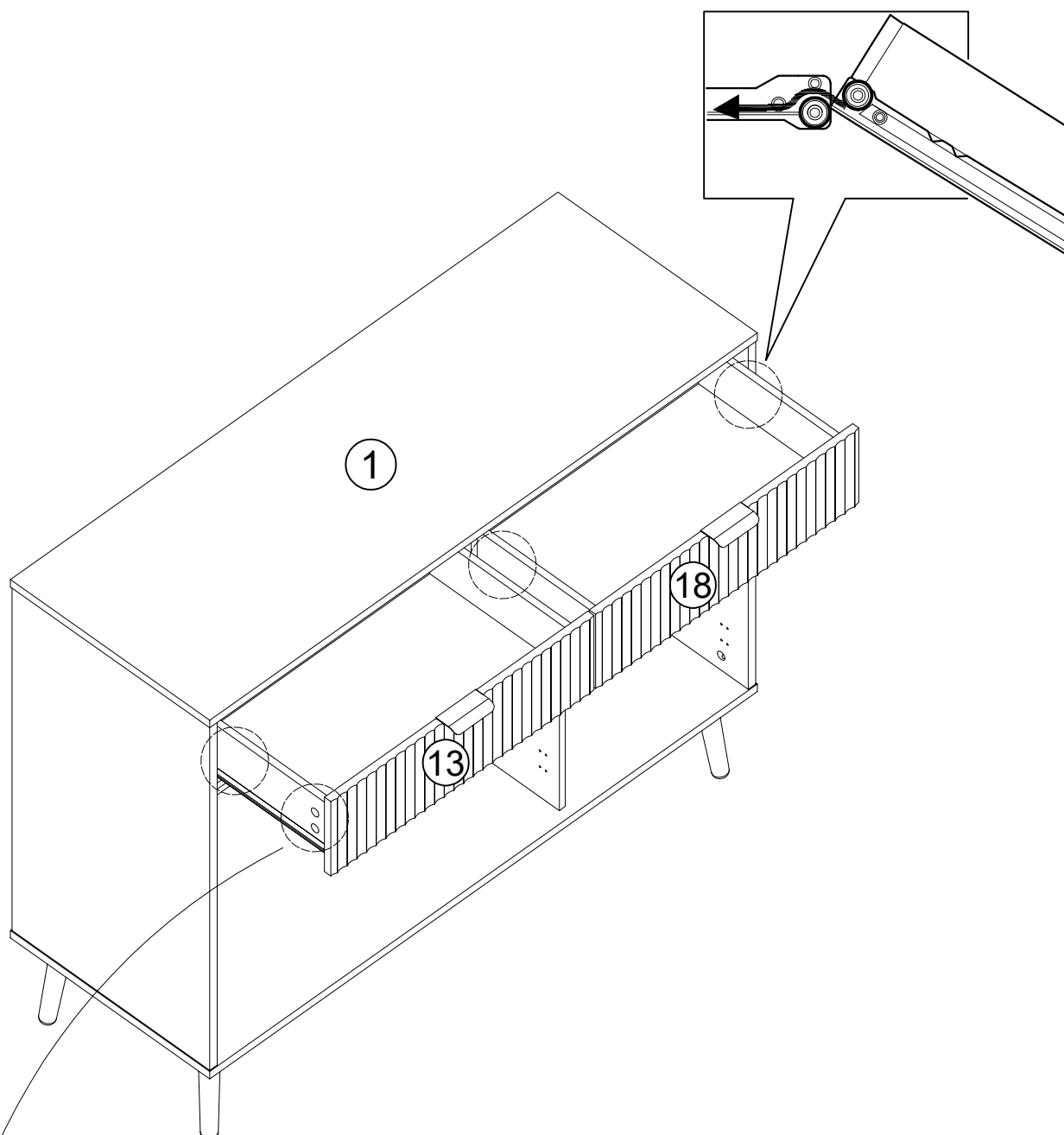
E	x8
	
M4x40mm	

### STEP 20



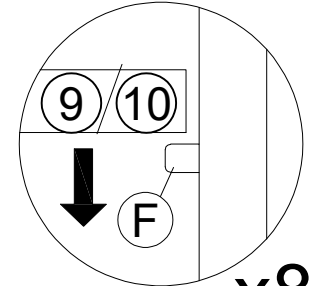
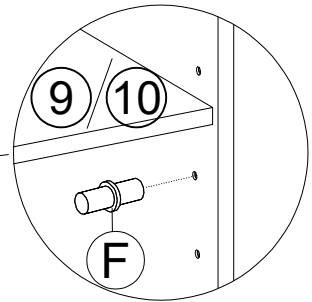
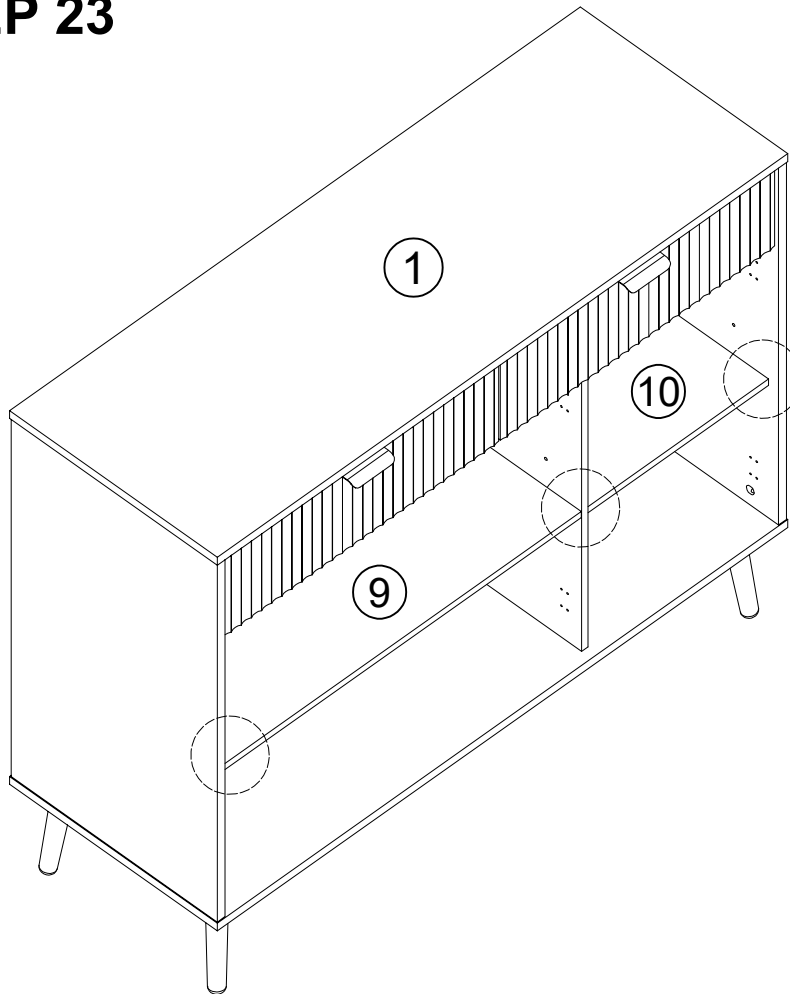
### STEP 21




**STEP 22**

**After the drawer is inserted into the panel, if there is a height difference, please loosen the eccentric wheel, make adjustments, and then tighten it**

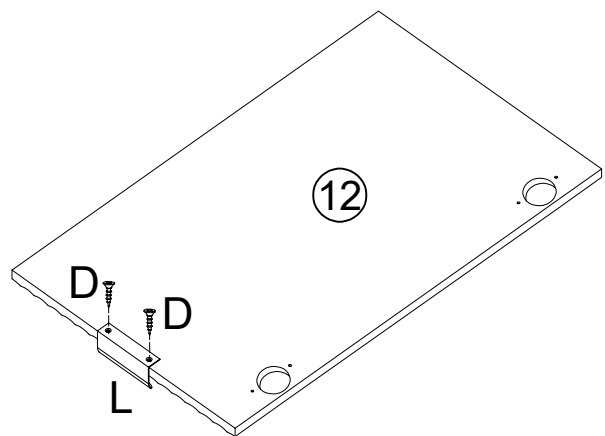
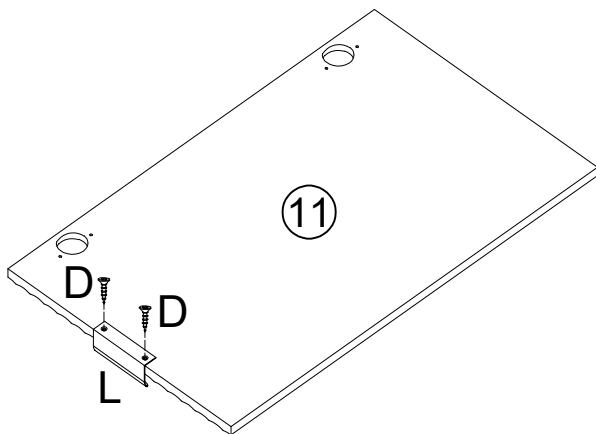
**STEP 23**

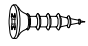



**X8**

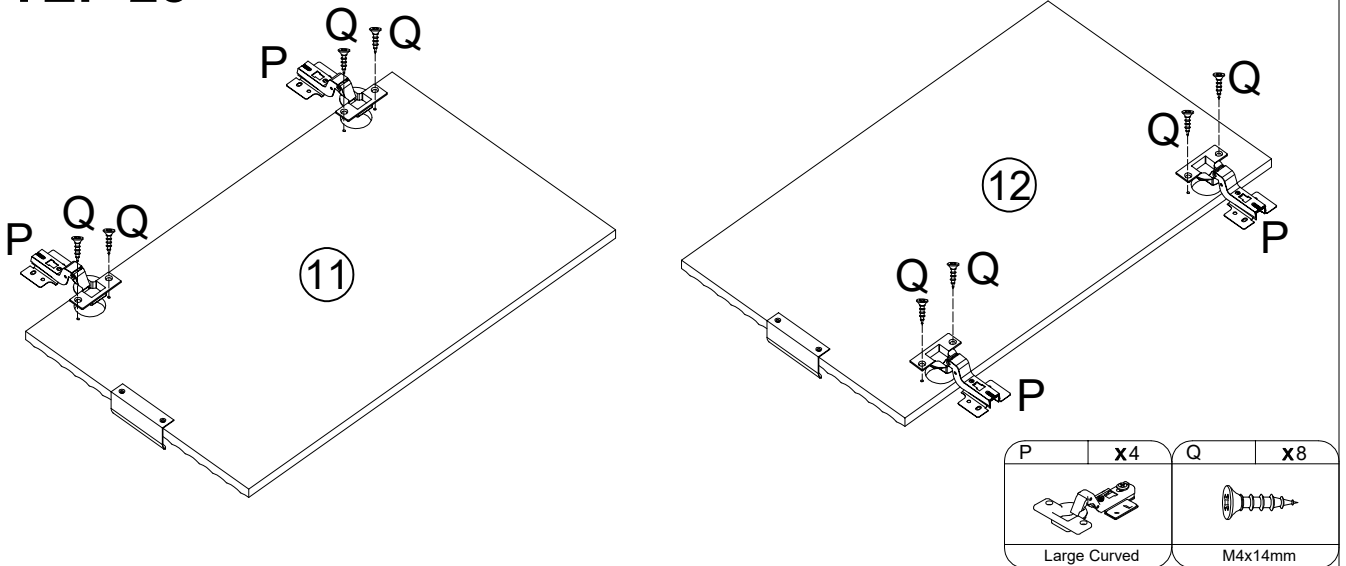
F	X8
	

**STEP 24**

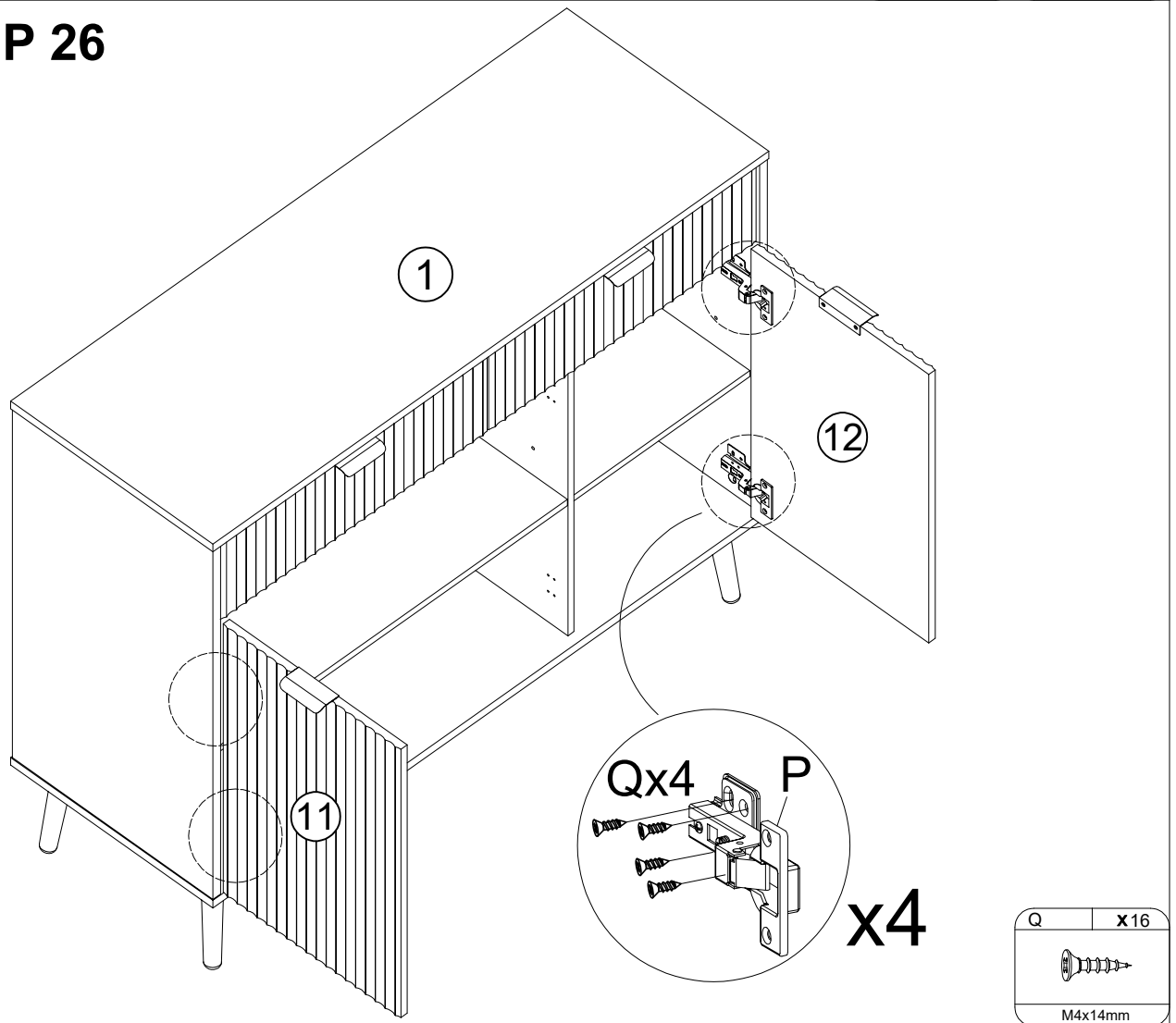


D	X4	L	X2
			
M3.5x12mm			

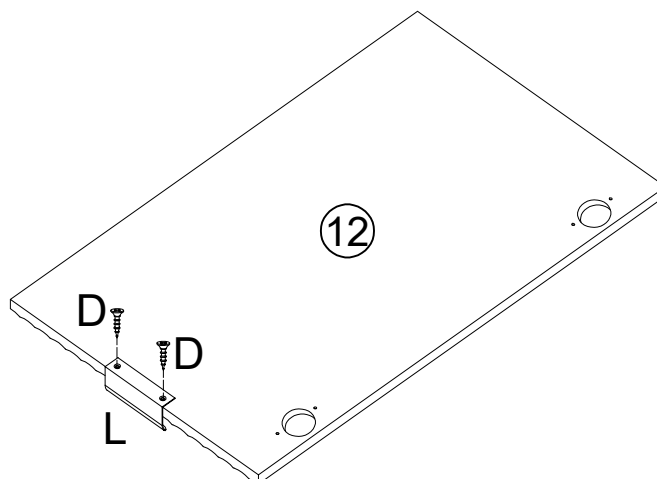
### STEP 25

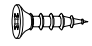
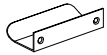


### STEP 26

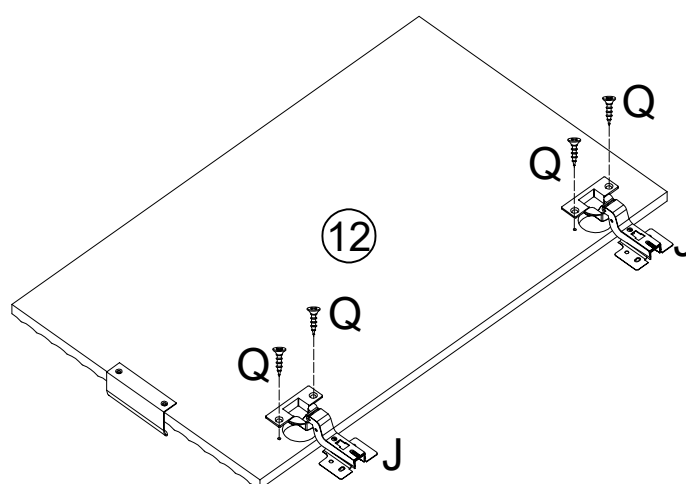



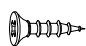
## STEP 27



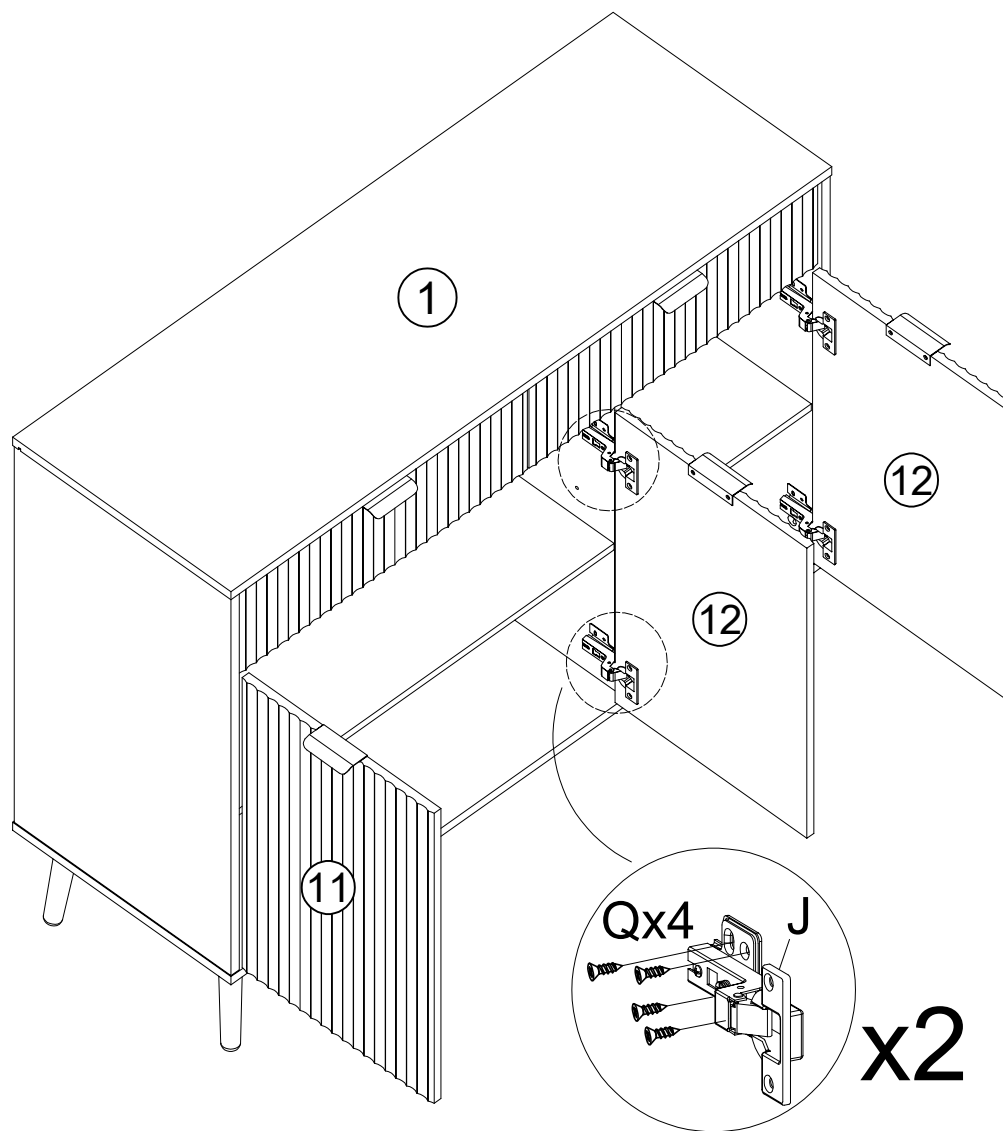
D	x2	L	x1
			
M3.5x12mm			


## STEP 28



J	x2	Q	x4
			
Small Curved		M4x14mm	

# STEP 29



Q	x8
	
M4x14mm	

**STEP 30**

If you encounter misalignment issues while installing the door, please follow the adjustment steps shown in the illustration.

You can also choose to watch our video tutorial via the provided link!

