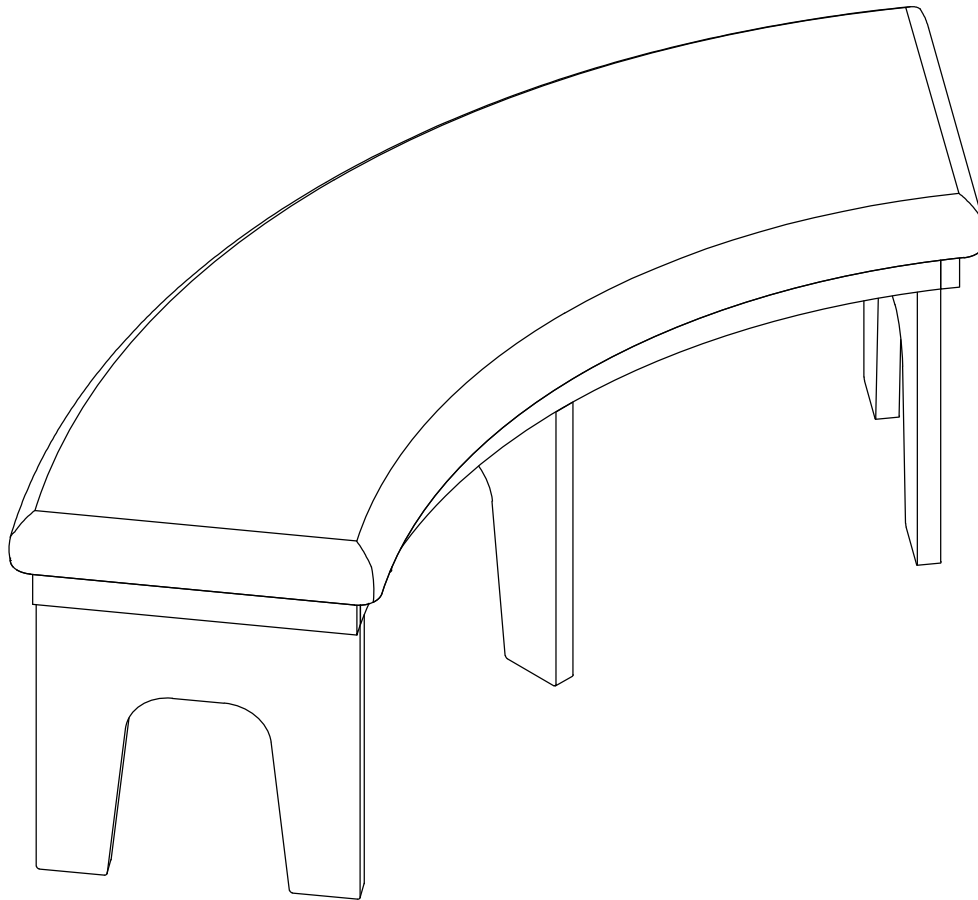


ASSEMBLY INSTRUCTIONS

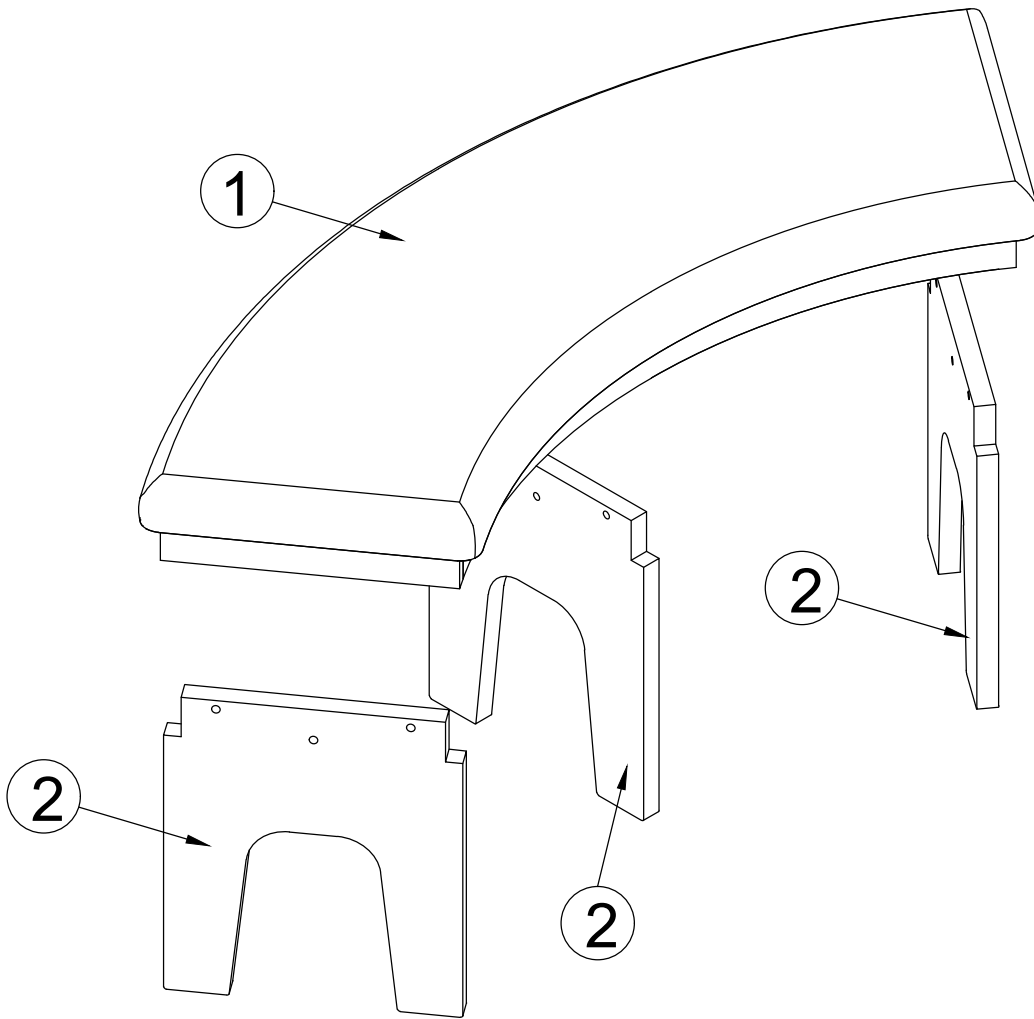
DINING BENCH



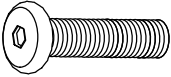
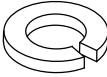
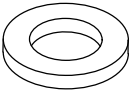

N715P336321

IMPORTANT NOTE :

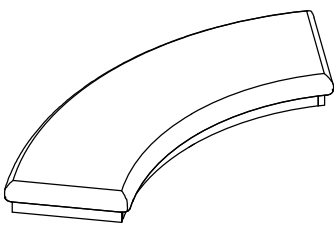
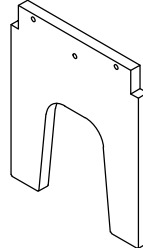
- ① PLACE ALL PARTS ON A CLEAN AND SMOOTH SURFACE SUCH AS A RUG OR CARPET TO AVOID THE PARTS FROM BEING SCRATCHED.
- ② BEFORE YOU BEGIN, KINDLY FOLLOW THE ASSEMBLY INSTRUCTIONS STEP BY STEP.
- ③ DO NOT TIGHTEN ALL SCREWS AND BOLTS UNTIL THE CHAIR IS FULLY SET-UP.



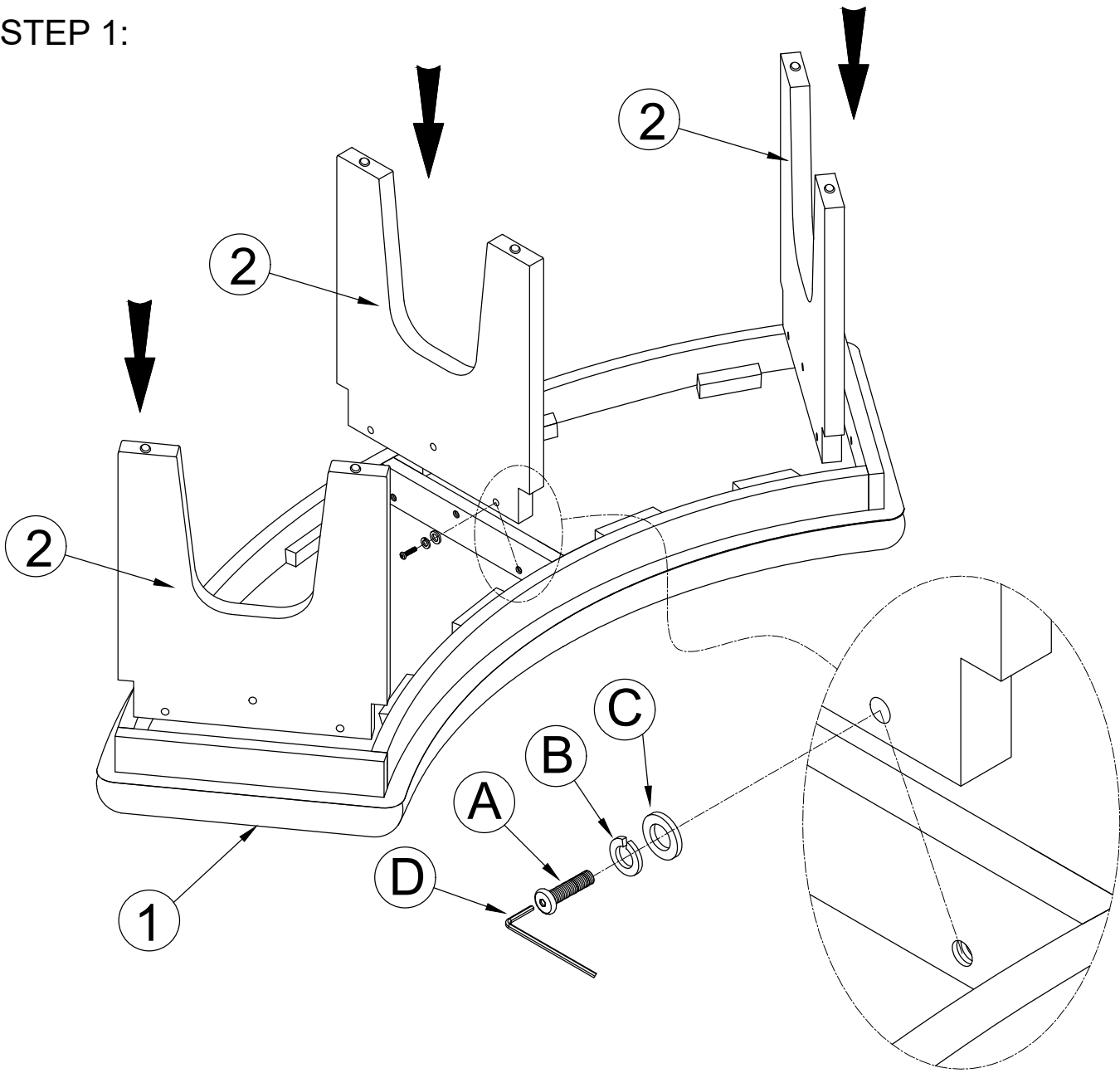
Hardware List For One Bench

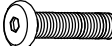



<p>A</p>  <p>Ø1/4" x 38mm BOLT (9PCS)</p>	<p>B</p>  <p>Ø1/4" x 11mm LOCK WASHER (9PCS)</p>
<p>C</p>  <p>Ø1/4" x 18mm FLAT WASHER (9PCS)</p>	<p>D</p>  <p>4MM ALLEN (1PC)</p>

Part List For One Bench

<p>①</p> 	<p>②</p> 
<p>SEAT CUSHION (1PC)</p>	<p>LEG (3PCS)</p>

STEP 1:



A	Ø1/4"x38mm		9pcs	B	Ø1/4"x11mm		9pcs
C	Ø1/4"x18mm		9pcs	D	4mm		1pc

STEP 2:

