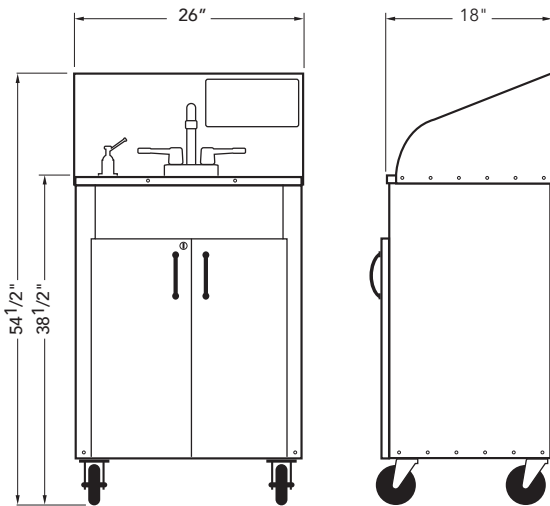


ELITE PRO 1

Our Elite PRO 1 self-contained, portable, hot water, handwashing sink has certainly found its flow with added splashguard and M-Fold Towel Dispenser. This one-stop hand hygiene station is NSF-certified and out-of-the-box ready, so your workspace and sanitation sanity are kept intact.

Food-safety-grade stainless countertops, cabinets, and single sink basin with built-in, top-fill soap dispenser are just the kind of durable help high-volume, compact spaces call for. Keyless locking white/black doors with white/black edging combinations keep your quick-connect water tanks safe and ready for the shift ahead. Go ahead, flip over that 'NOW OPEN' sign with handwashing code-compliant confidence.



ESPRWK-SS-SS1N

Model Name	Elite PRO 1
NSF Certified	Yes
LivingGreen Certified	Yes
SACERS Rating	12, 3.4, 5.1, 5.2
CARB 93120 Phase 2	Yes
Electrical Requirements	110V, 20A Dedicated Outlet and Breaker
On-Demand Hot Water	Approx. 40°F Above Water Temperature
GPM	0.50
Approx Handwashings	45-60 (5 gallon tank)
Product Dimensions	26"W x 18"D x 54.5"H
Product Weight	108 lbs.
Basin	Single Stainless Steel
Basin Dimensions	12" W x 10" L x 5.75" D
Countertop Material	Stainless Steel
Cabinet Material	Stainless Steel
Door Material	Phthalate, Lead Free Millwork / PVC Edging
Door Color	White with Black Edging
Fresh Water Tank	5 Gallon Capacity, FDA Approved
Waste Water Tank	6 Gallon Capacity, FDA Approved
Faucet Style	ADA Compliant Wrist Action Handles
Door Lock	Keyless
Soap Dispenser	Liquid Only, Countertop Mount
Cabinet Wheels	5" Front Locking/Swivel Casters
Warranty	2 Year (see warranty for details)

Minimum Operating Requirements

- Each sink must use a grounded, dedicated 110V, 20A circuit breaker
- Sinks must be used on a dry, level indoor surface
- Extension cord must be 12/3, rated at 20A or higher
- Water must meet EPA standards (PH between 7.0 and 9.0)

- BEAUTY + WELLNESS
- FOOD SAFETY
- HEALTHCARE
- RETAIL



IMPORTANT!

Consult with your state and local environmental health official to confirm usage of portable sinks in place of plumbing.



GREATER
NASHVILLE AREA

call 1.866.663.1982

OzarkRiver.com