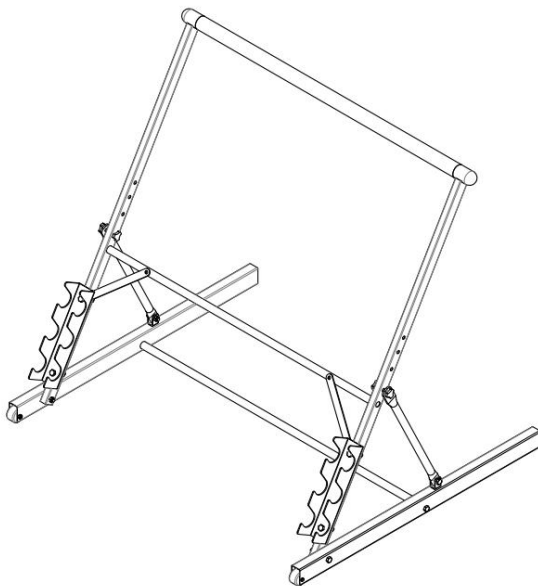


BALLET BARRE

MODEL: CD-WDG08

BALLET BARRE

MODEL: CD-WDG08



**Note: The product picture is for reference,
the actual details shall prevail**

This is the original instruction, please read all manual instructions carefully before operating.



Warning-To reduce the risk of injury, user must read instructions manual carefully.

IMPORTANT SAFEGUARD

Thank you for using this product. In order to make sure that you can operate the machine correctly, read this instruction carefully before operation and keep it properly for future reference. Please be sure to read the precautions and safety rules in this page to ensure your safe use. This manual will outline safety warnings and precautions, operating, maintenance and cleaning. The warnings and instructions reviewed in this manual cannot cover all possible conditions and situations that may occur. Caution and common sense are not built into this product, since we believe that the uses will comply with these codes.

Please read ALL the instructions before using your machine.

1. Assemble needs to follow these instructions. Incorrect assembly can be a hazard. Wear heavy-duty work gloves during assembly.
2. Do not assemble when tired or when under the influence of alcohol, drugs or medication.
3. Weight, elastic, and other product properties only apply to correctly and wholly assembled products.
4. Keep the assembly area clean and well-lit.
5. Keep bystanders out of the area during assembly.
6. This is a sports training equipment, not a toy, it needs to be used under the guidance of a coach.
7. Use as intended only. Do not sit or stand on the product.
8. Inspect before every use. Do not use it if parts are loose or damaged.
9. Do not apply this unit to any other purposes than the indicated usage.
10. DO NOT CLEAN IT WITH ANY ABRASIVE MATERIAL.

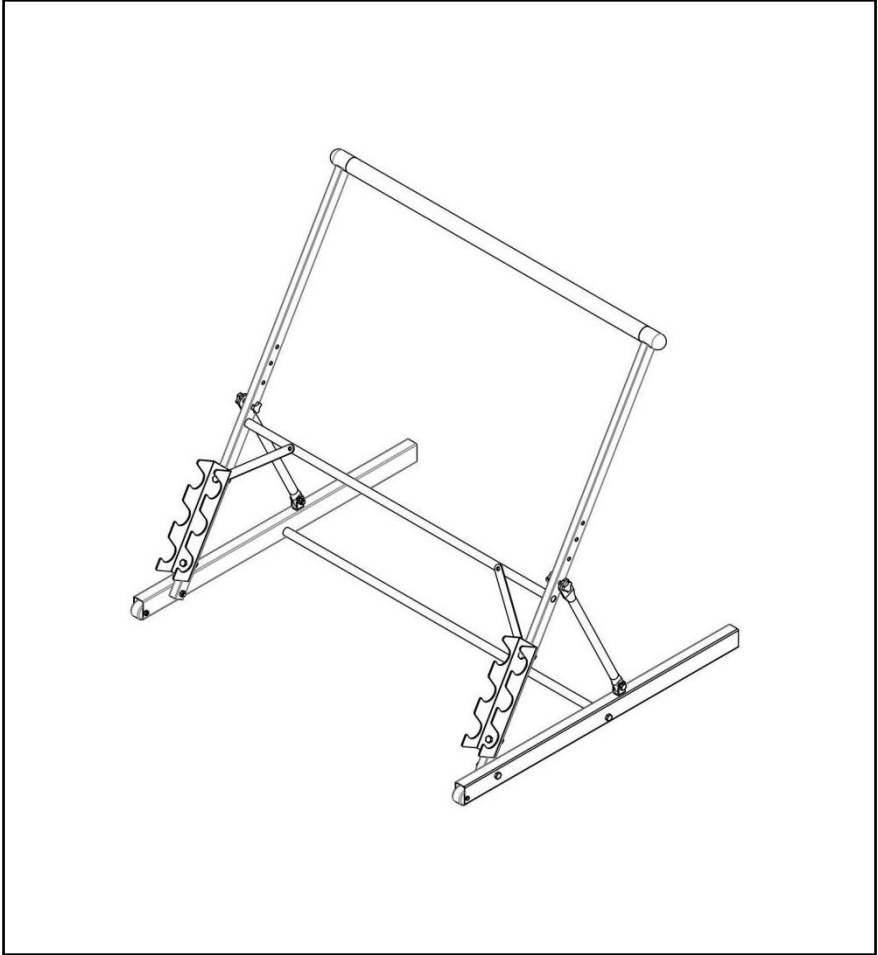
11. The product should be placed on a flat surface. And it should be installed in an open and safe place, avoiding places near windows, roads, railways, rivers, etc.
12. Before using the appliance for the first time, peel off any promotional materials and packaging materials. Please dispose of all plastic bags carefully and keep them away from children and pet.
























WARNING: Assembled by an adult. in the process of play, parents should always accompany the children's side. Avoid the danger of suffocation.




Attention: assemblage par un adulte. Les parents doivent toujours être avec leurs enfants pendant le jeu. Évitez le risque d'étouffement.

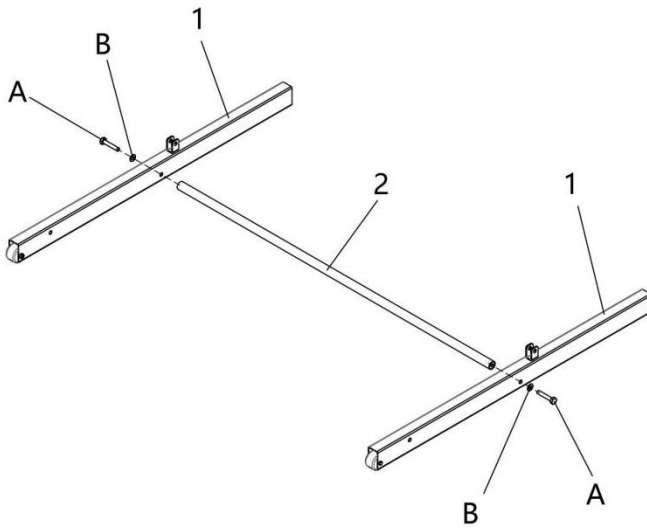


1  2pcs	2  1pcs	3  1pcs	4  1pcs
5  1pcs	6  1pcs	7  2pcs	8  2pcs
9  2pcs	A  M8*45 2pcs	B  F8 2pcs	C  M6*15 2pcs
D  M8*25 2pcs	E  M8*30 4pcs	F  M8*60 2pcs	G  M6*30 2pcs
H  M6 2pcs	I  M8*45 4pcs	J  14-17 1pcs	K  10-13 1pcs
L  M5 1pcs			


STEP 1


 #A(M8x45) x2pcs

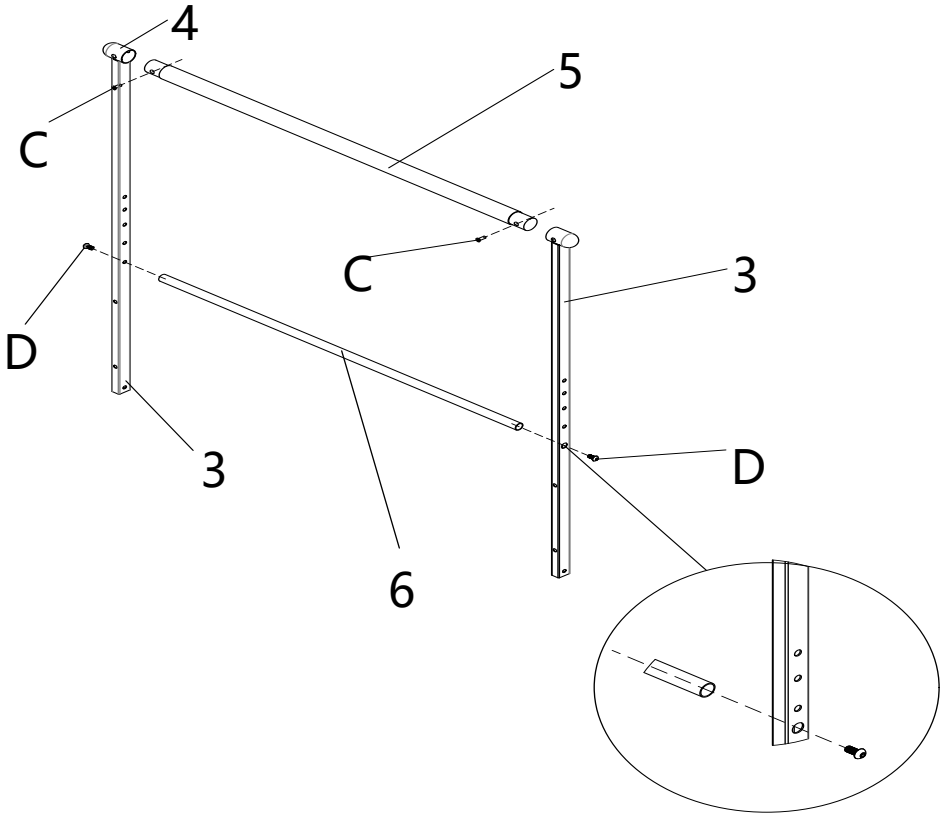
 #B(F8) x2pcs



STEP:2


 #C(M6x15) x2pcs

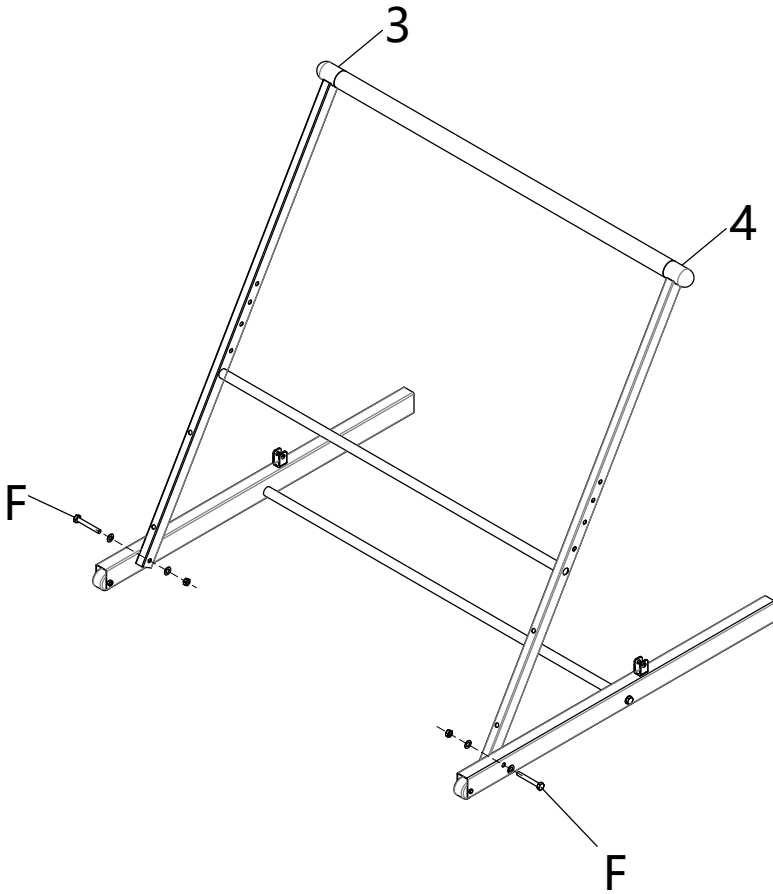
 #D(M8X25) x2pcs



TIPS: Don't confuse the direction when installing 3 and 4

STEP:3


 #F(M8x60) x2pcs




Use F screws to fix side rods #3 and #4 on the bottom tube respectively

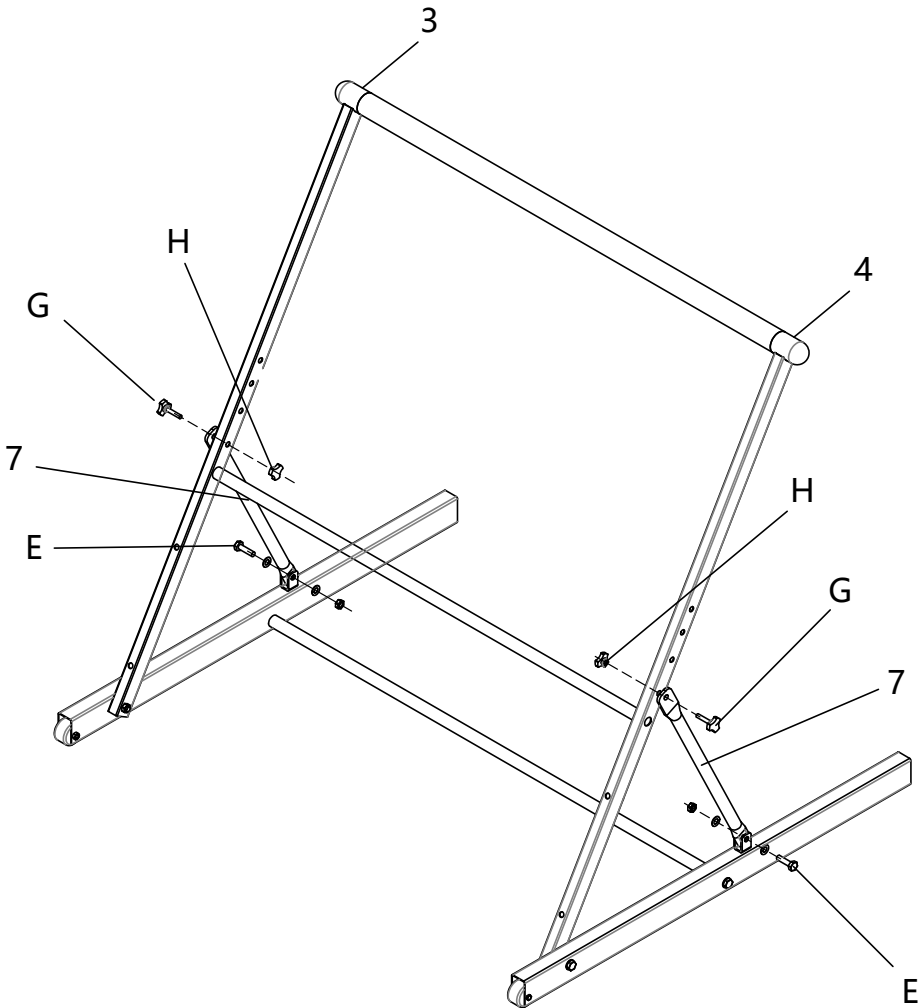
STEP 4

Use E screw and G, H to lock the connecting rod #7 as shown above and below.

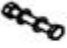
 #E(M8x30) x2pcs

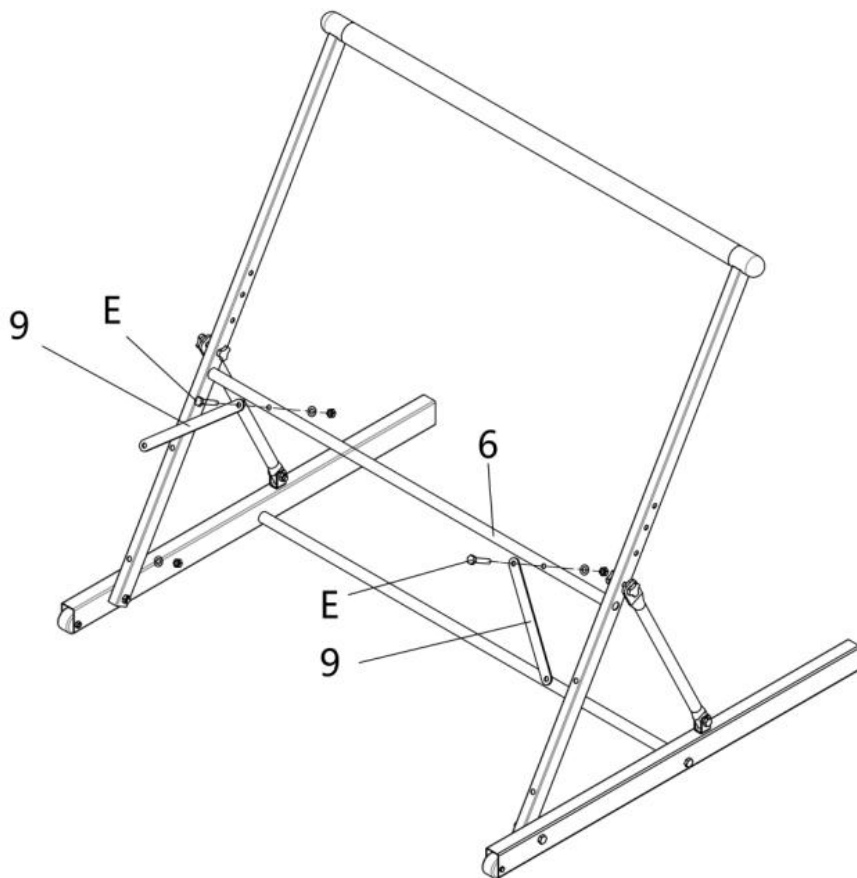
 #G(M6x30) x2pcs

 #H(M6) x2pcs



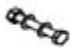
STEP 5

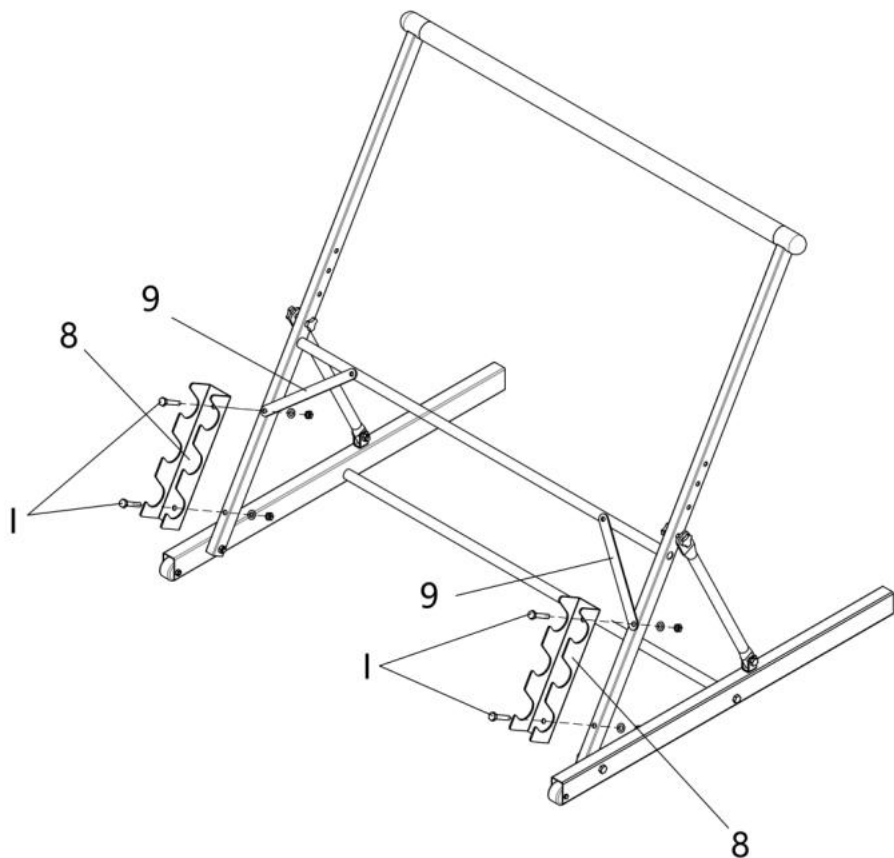
 #E(M8x30) x2pcs



Install support frame No.9
Note that only pole 6 is locked.

STEP 6

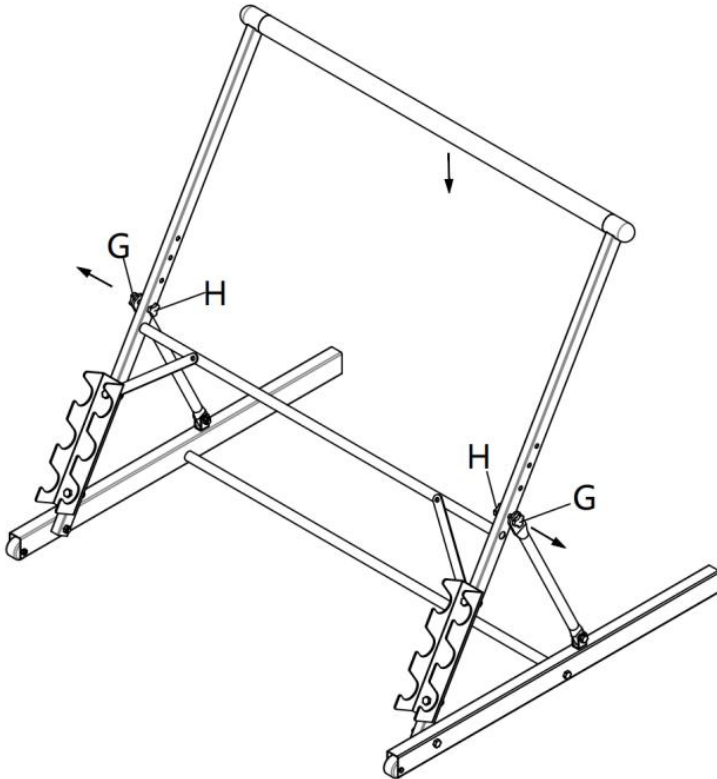
 #1(M8X45) x4pcs



Put the dumbbell bracket 8 on the 9 as shown, and lock it in place with screw.

STORAGE FUNCTION

As shown in the figure, loosen the knobs G and H, and put the bracket down and flat. (Note that install G and H back into the original hole, or keep the removed G and H safe to avoid loss).



The final state of lying flat.

