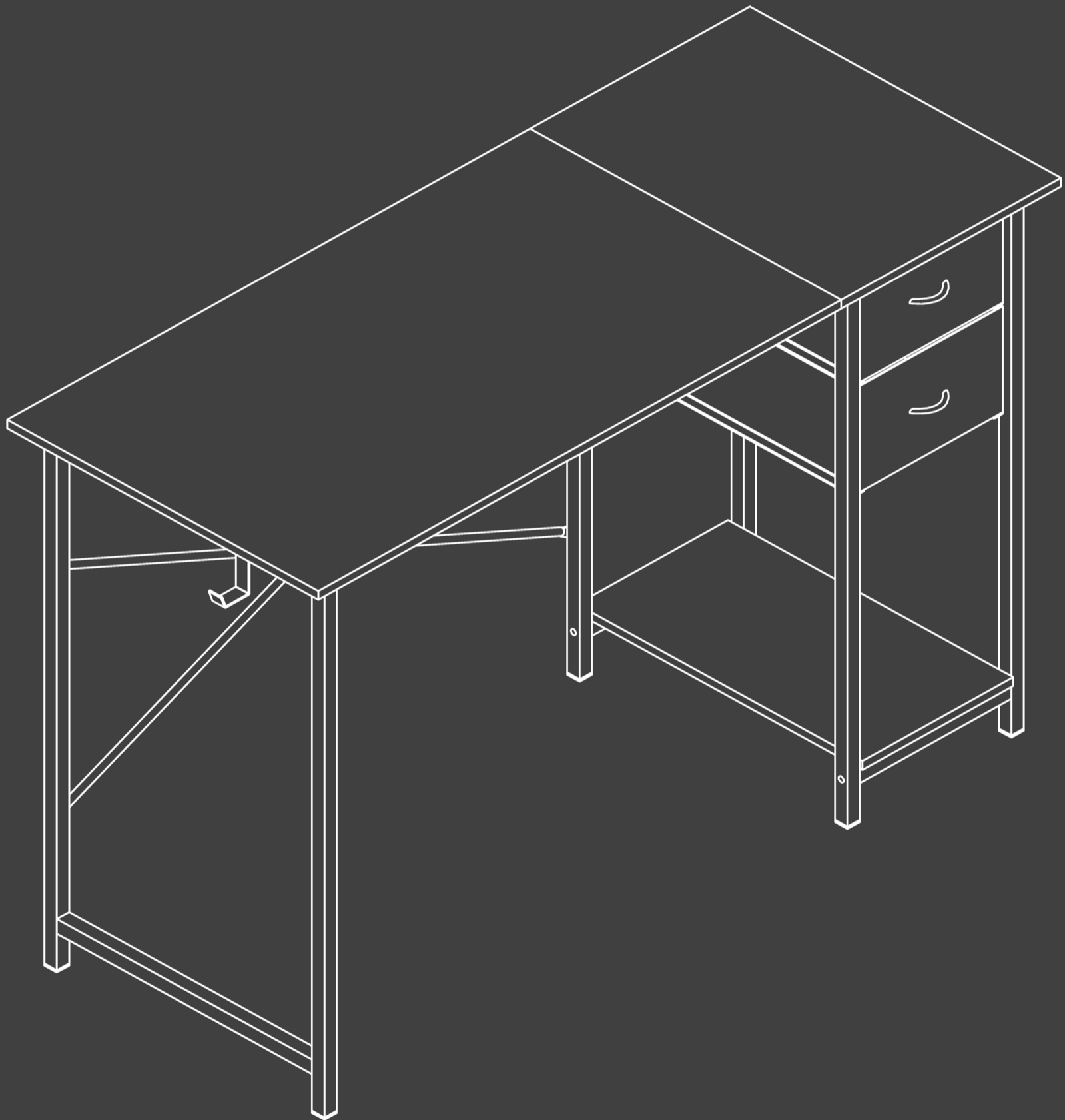


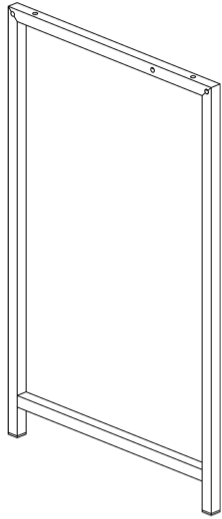
# Home Office Desk

## Instruction Manual

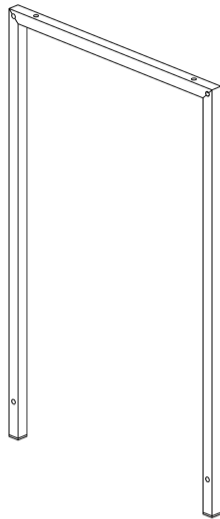


# 1 Package List

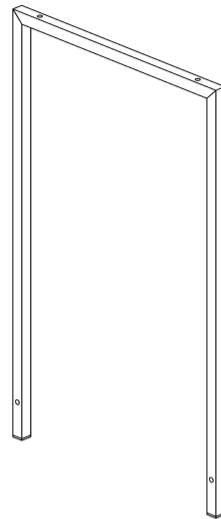
**A** X1



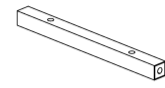
**B** X1



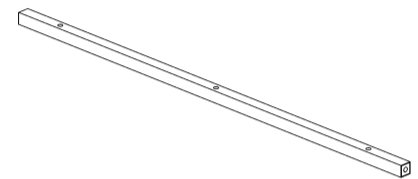
**C** X1



**D** X2



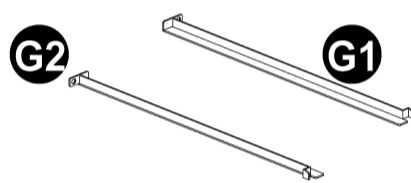
**E** X2



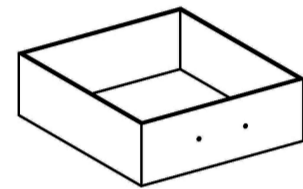
**F** X1



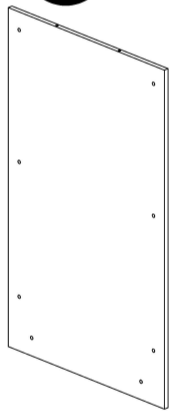
**G** X2



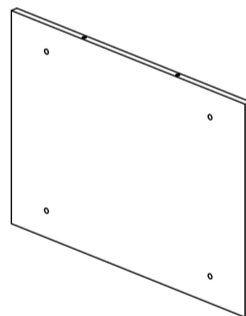
**H** X2



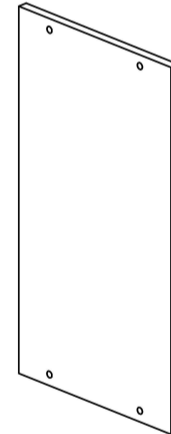
**I** X1



**J** X1

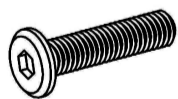


**K** X1



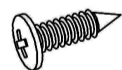
# 2 Supplied Parts and Hardware

**1** X26



M6x28mm

**2** X5



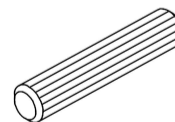
M4x12mm

**3** X10



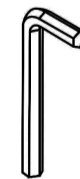
M6x16mm

**4** X3



Ø6x30mm

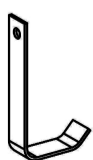
**5** X1



**6** X3



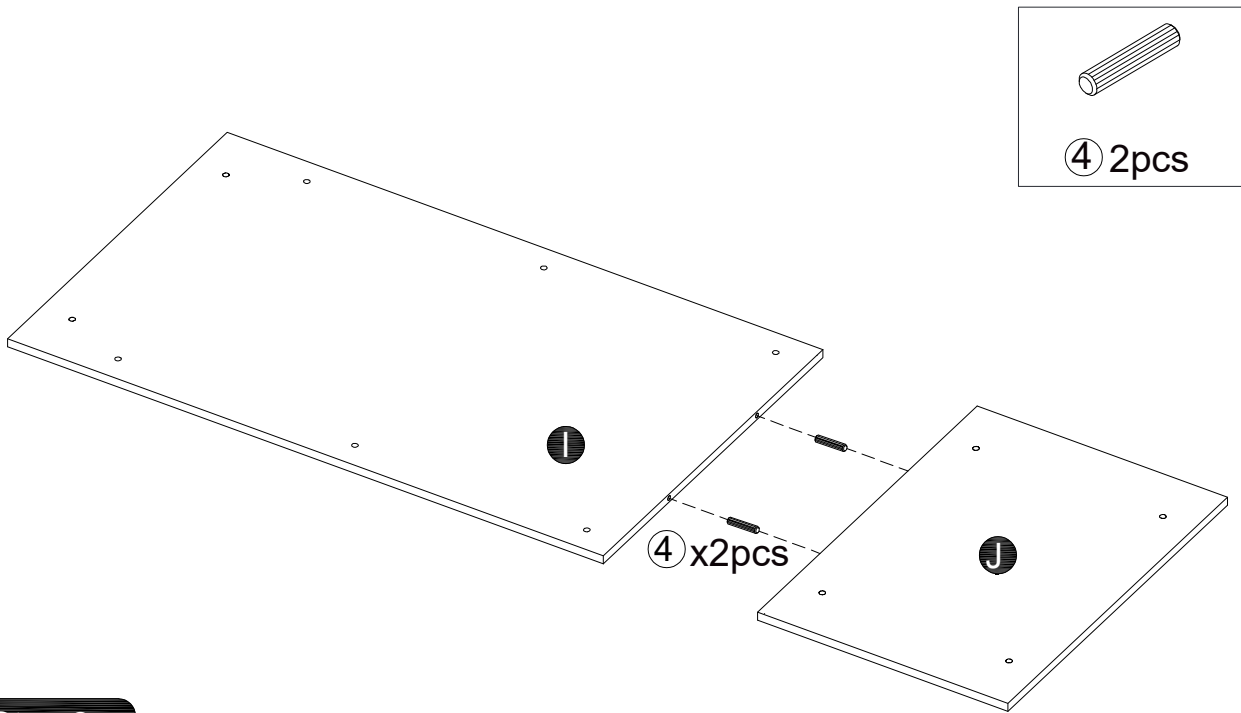
**7** X1



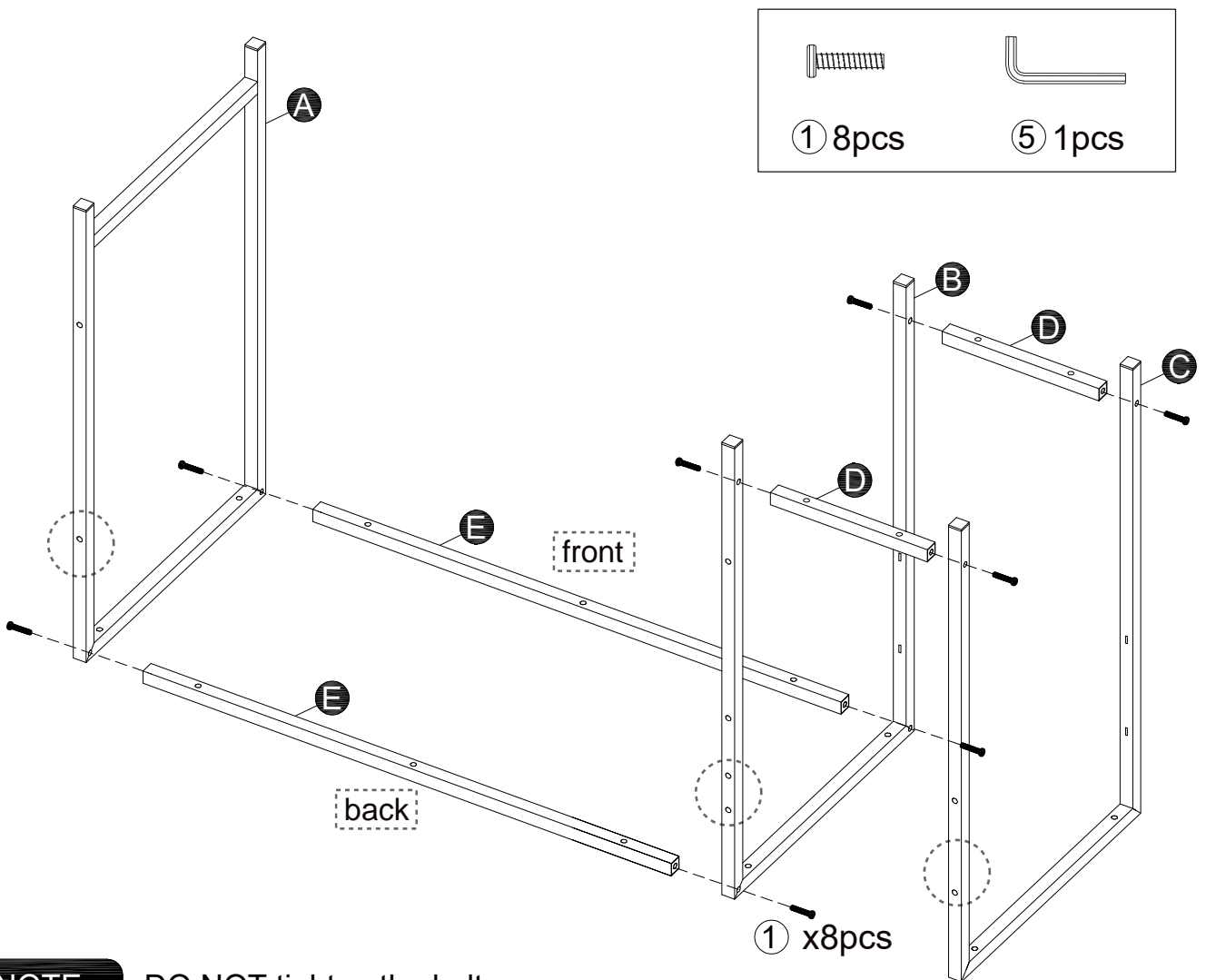
**8** X1



## Step 1



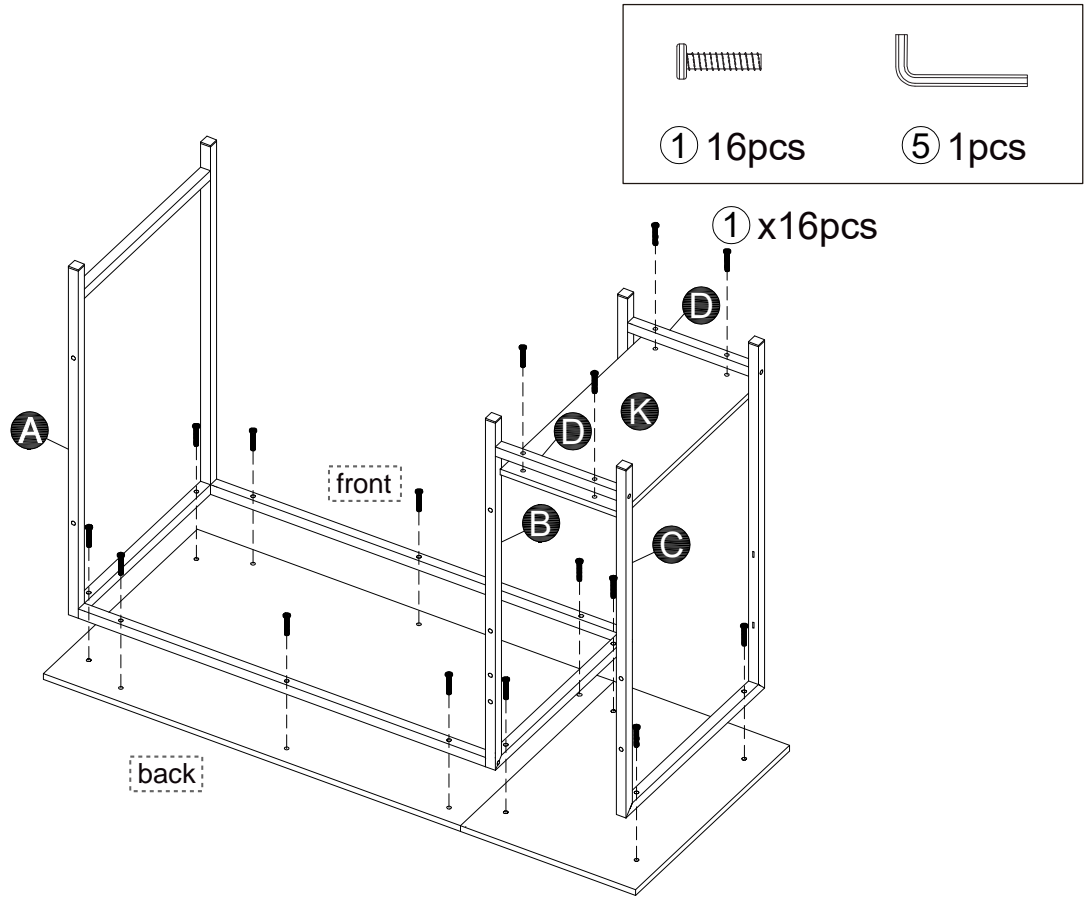
## Step 2



### NOTE:

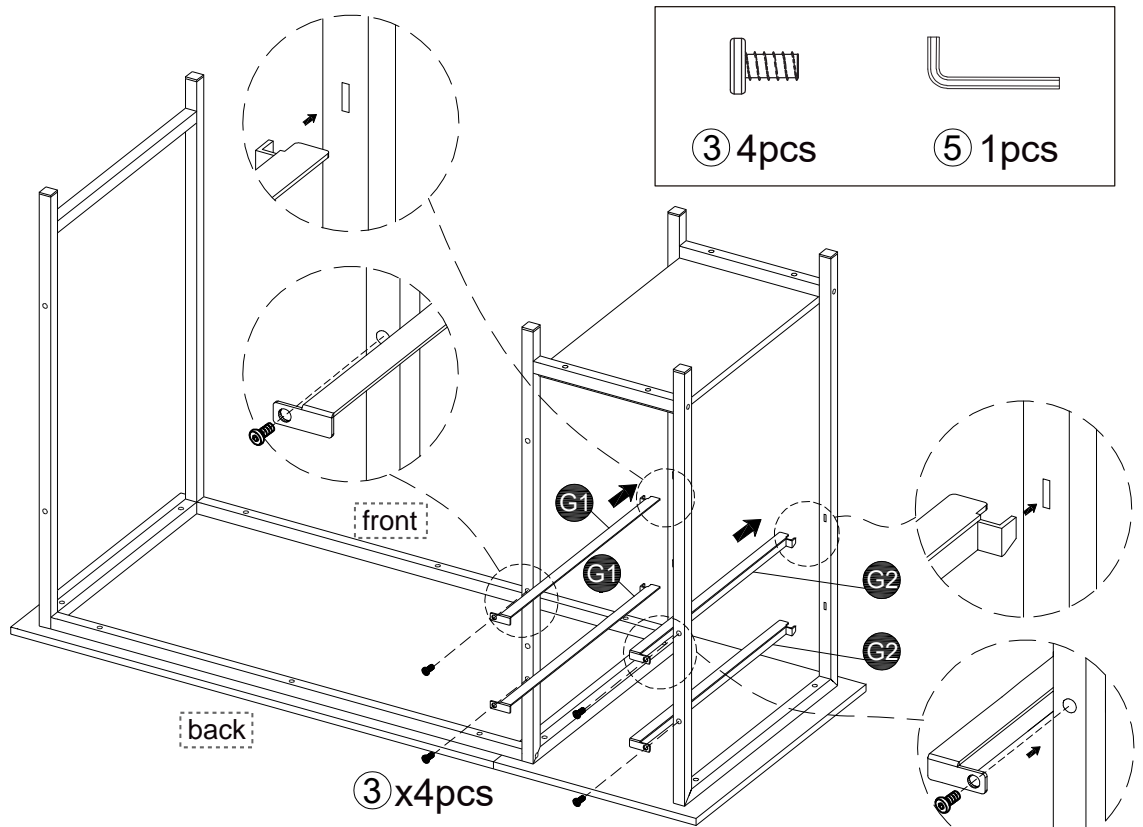
DO NOT tighten the bolts  
All the holes (part A,B,C) on the back face the same direction.

### Step 3



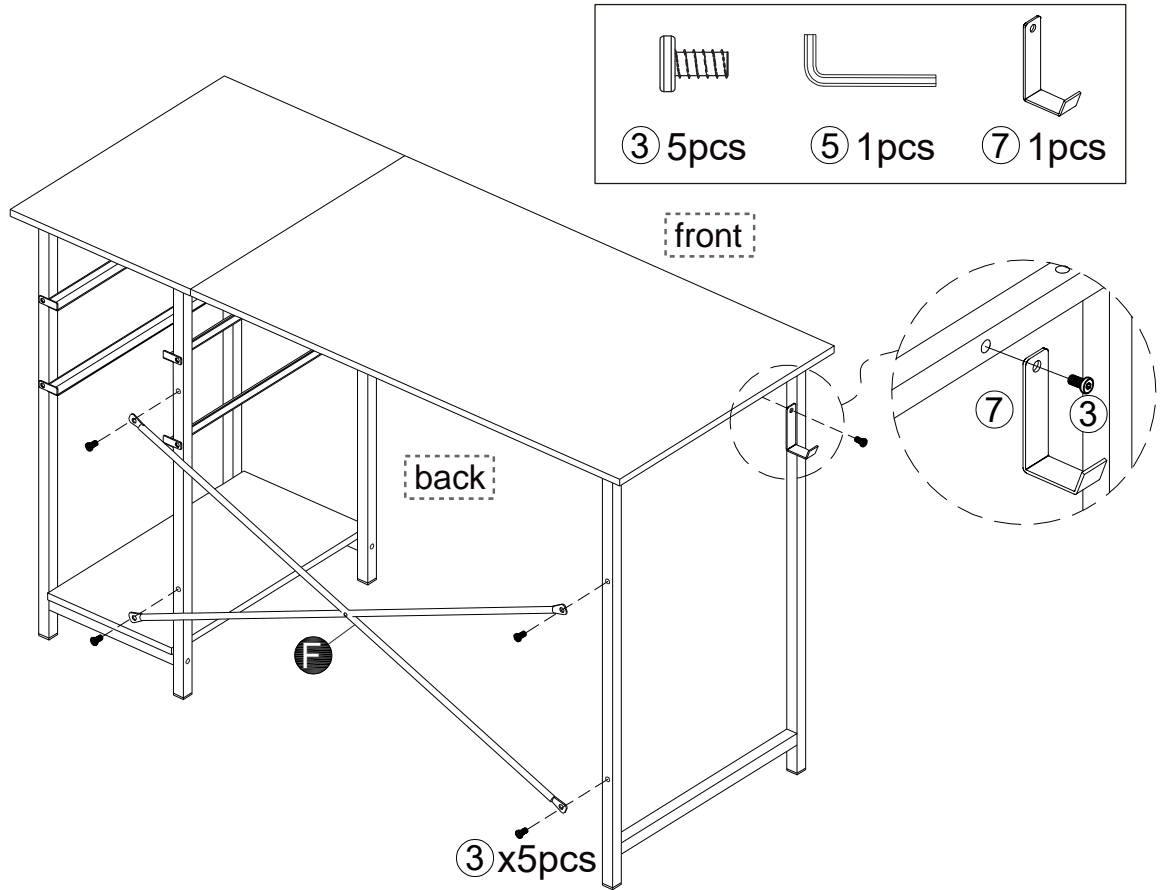
**NOTE:** DO NOT tighten the bolts

### Step 4



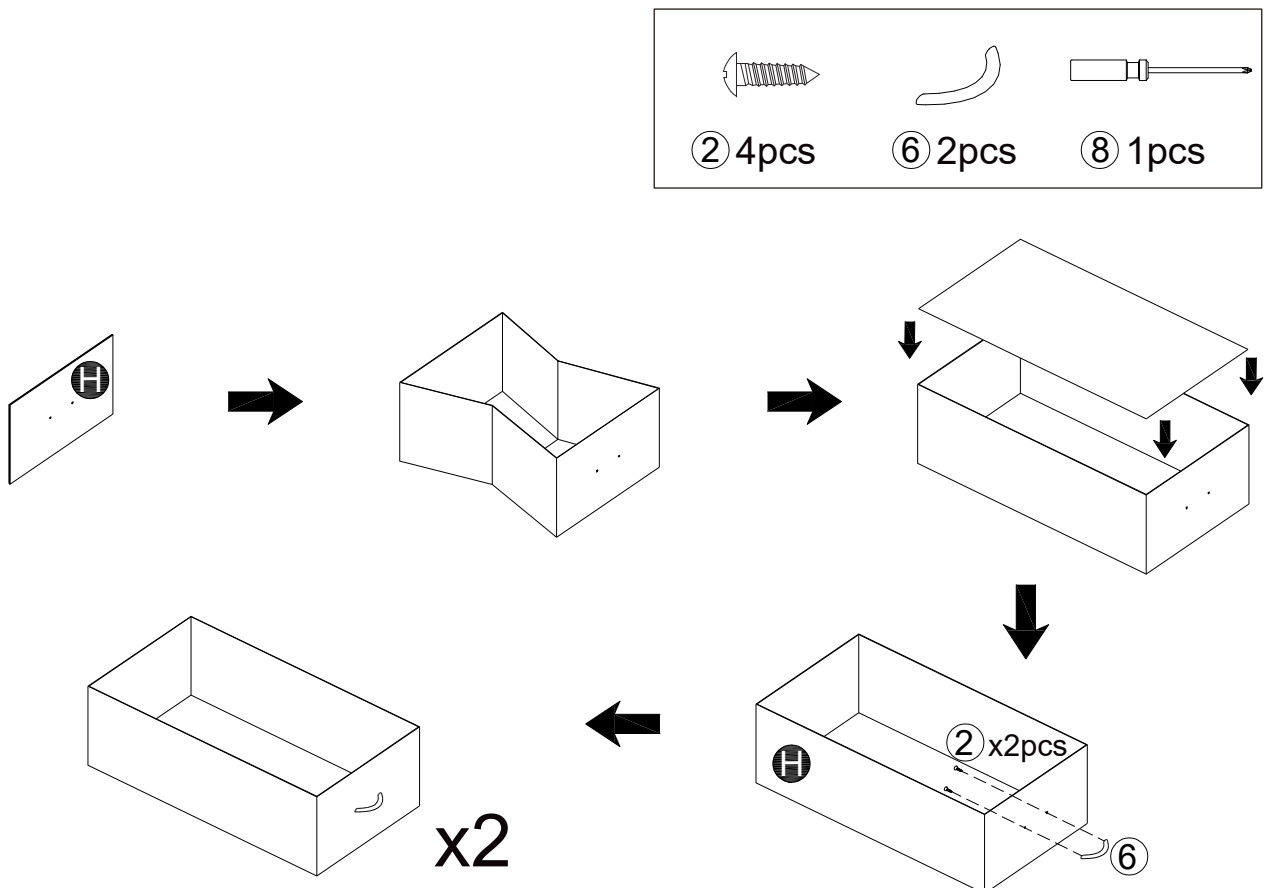
**NOTE:** DO NOT tighten the bolts

**Step 5**

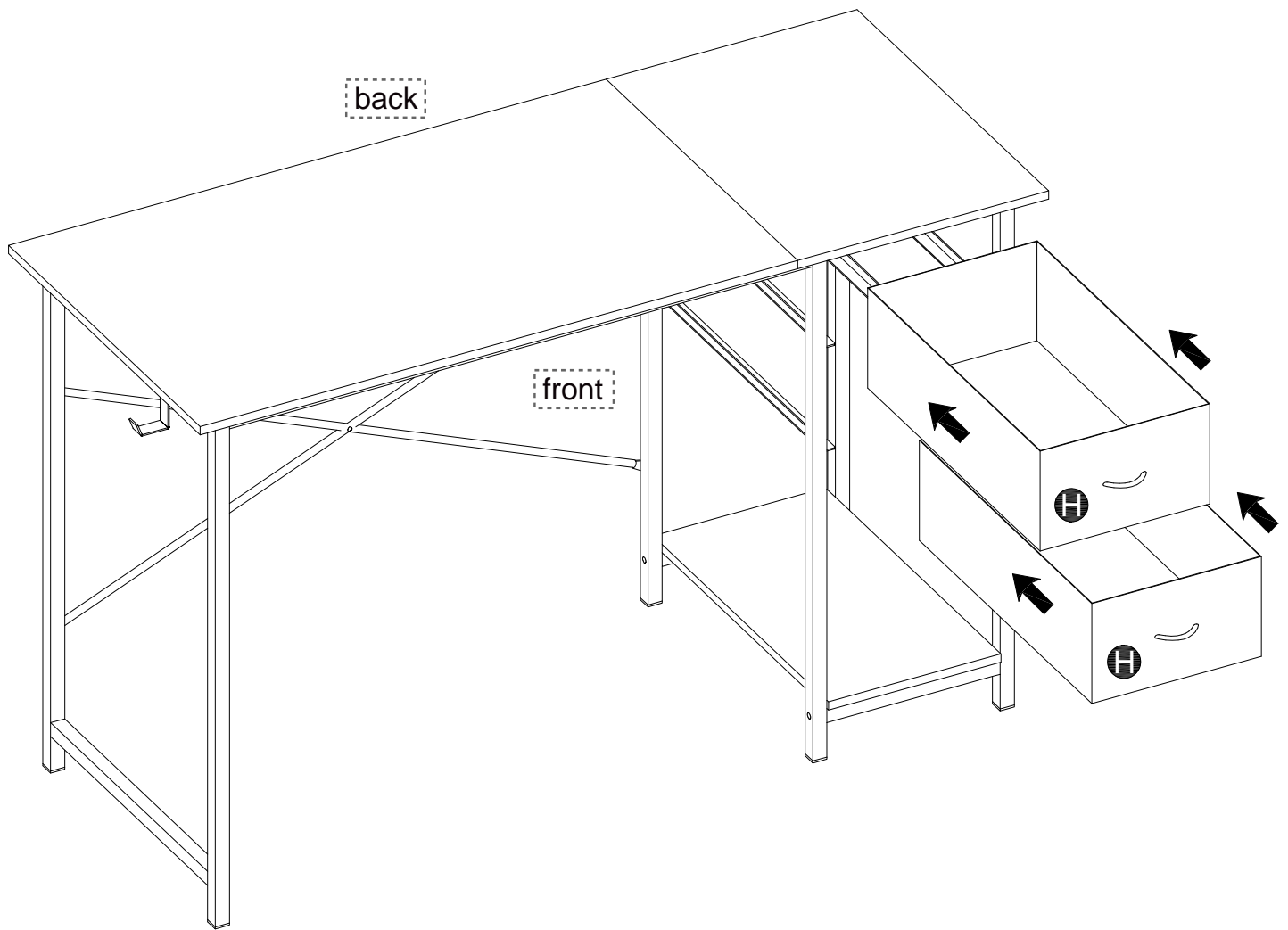


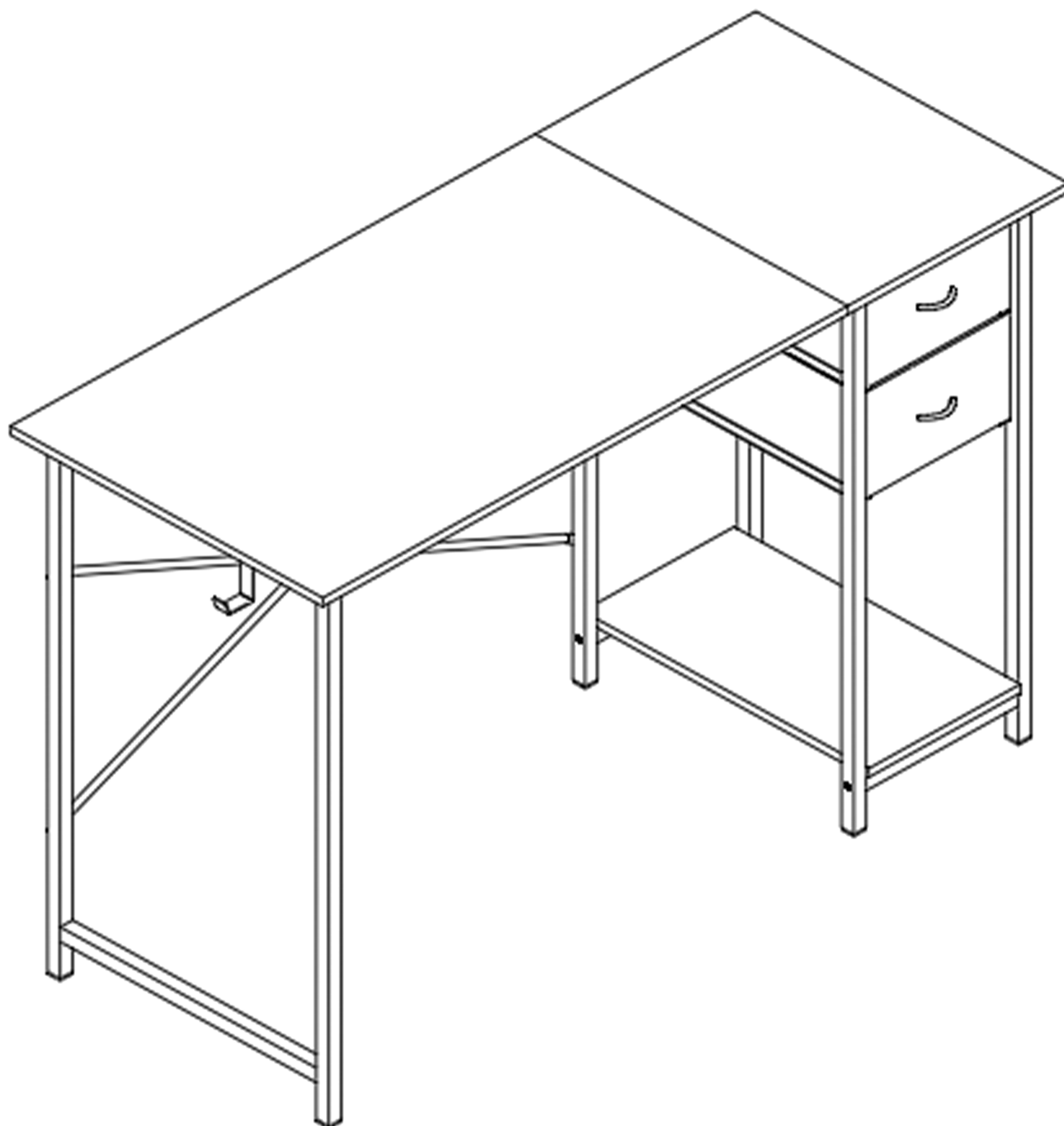
**NOTE:** Tighten all the bolts !

**Step 6**



Step 7





Thank you for choosing this product. We strive to provide you with the best quality products and services in the industry. Should you have any issues, please don't hesitate to contact us.