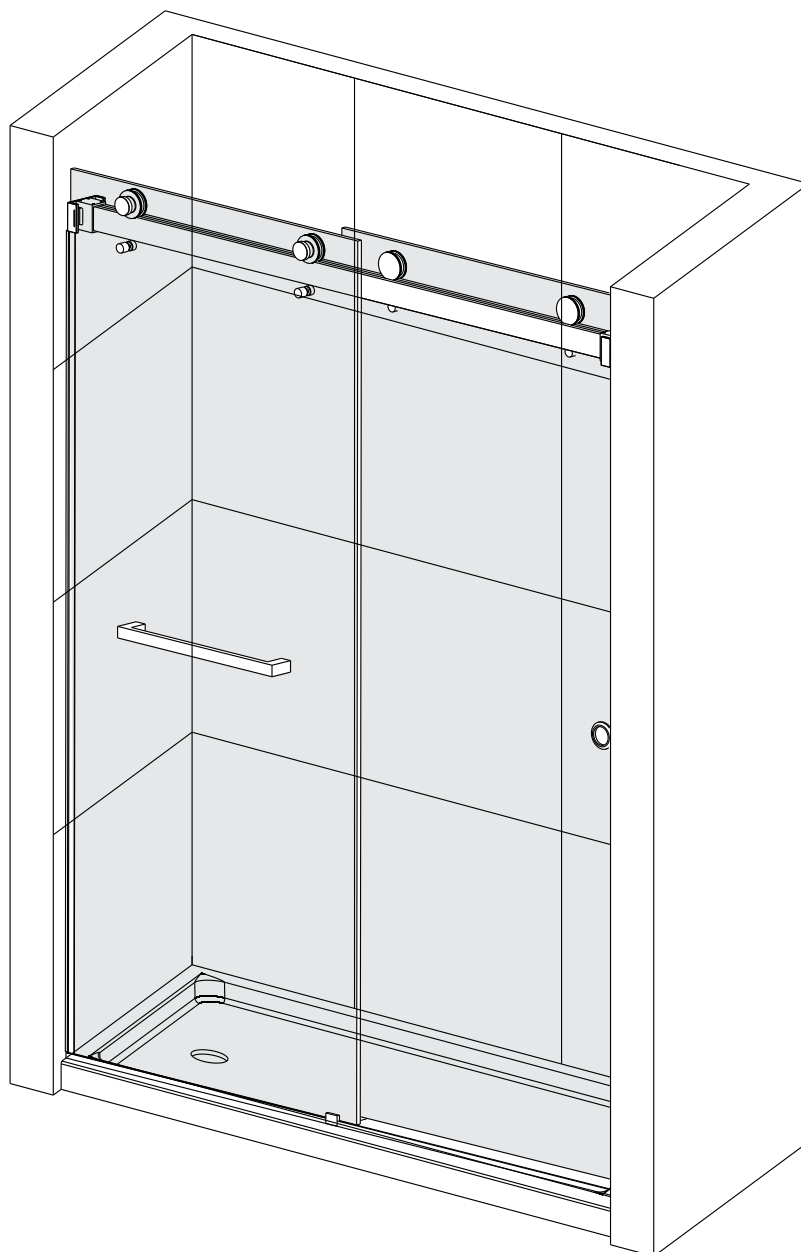


INSTRUCTION MANUAL



2 PEOPLE REQUIRED

Please keep this manual and product code number for future reference and for ordering replacement parts if necessary.

GENERAL INSTRUCTIONS

- Read this manual carefully and completely before proceeding.
- It is recommended that you wear safety glasses at all times during the installation.

INSTALLATION OVER CERAMIC TILES

- If your shower door is to be installed over ceramic tiles, the tiles should lay completely under the wall jamb.
- Silicone should be used to seal the gap where the ceramic tiles meet the fixed panel.

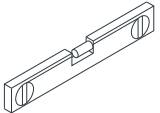
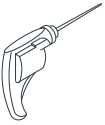


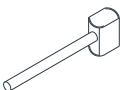

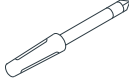

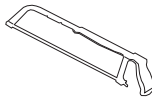

NOTICE

- Caulking: no sealant is required inside the shower, unless otherwise stated.
- Some models are equipped with clear sealing gaskets.

CARE FOR YOUR SHOWER DOOR

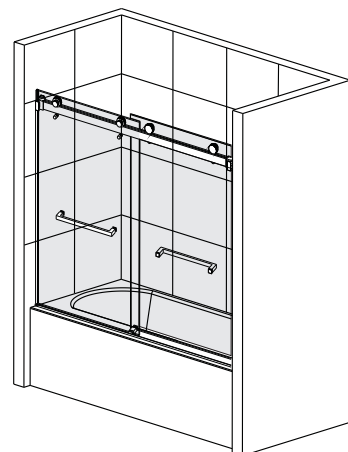
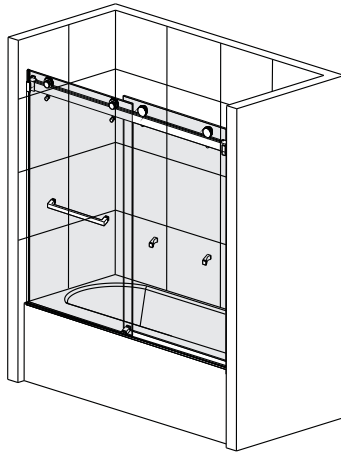
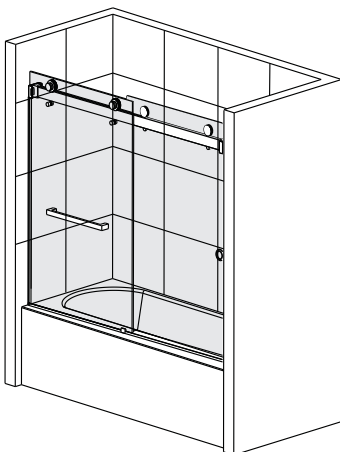
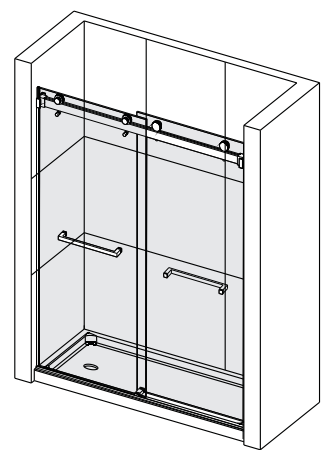
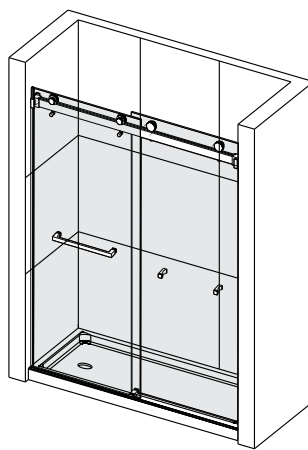
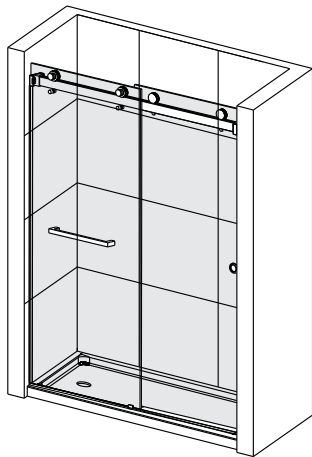
- Never use scouring powder pads or sharp instruments on metal pieces or glass panels.
An occasional wiping down with a mild soap diluted in water is all that is needed to keep the panels and metal parts looking new.
- We recommend wiping the glass panels with a squeegee after each use.

TOOLS REQUIRED

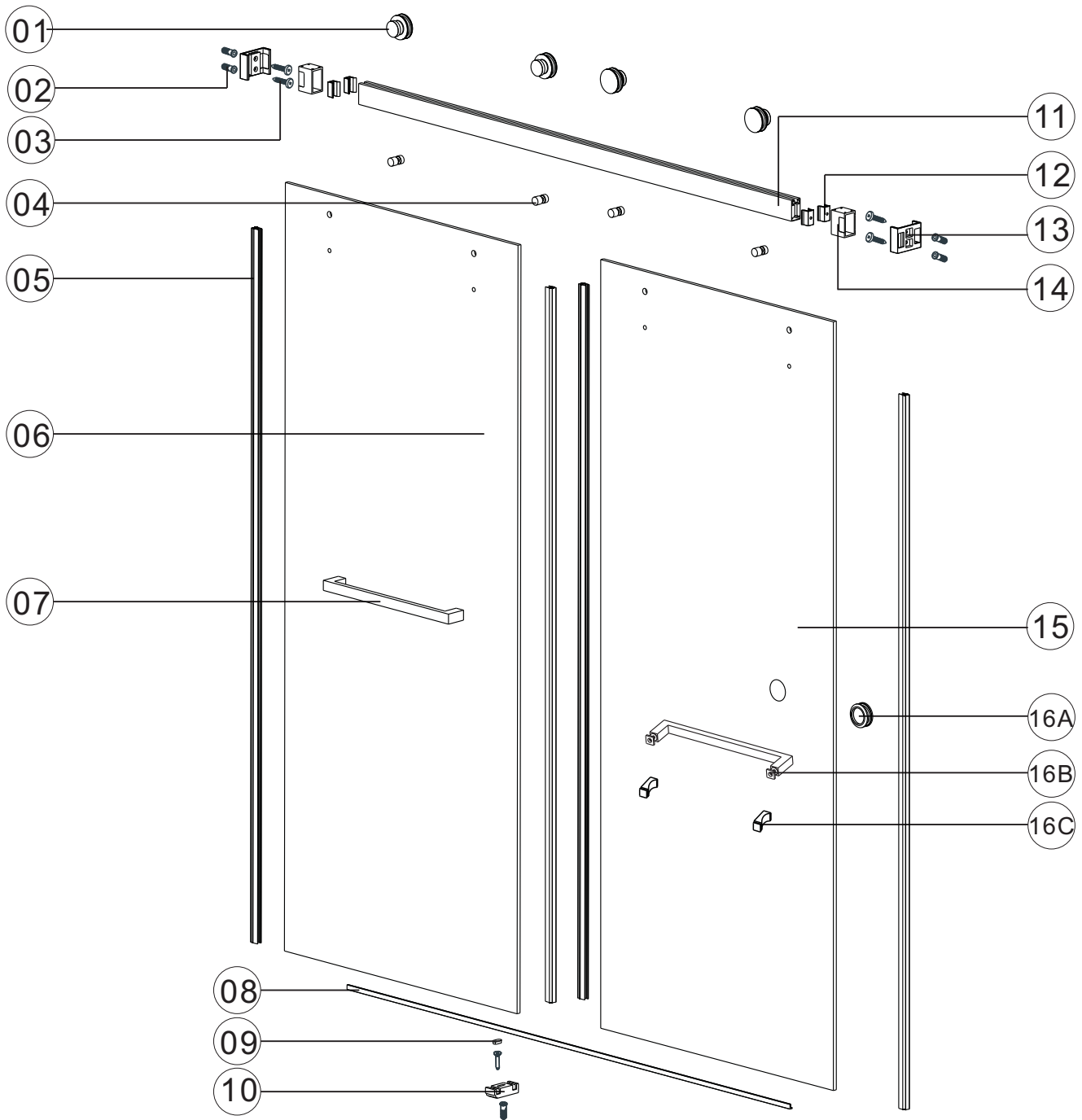
 SPIRIT LEVEL	 POWER DRILL	 PENCIL	 SILICONE	 MALLET
 TAPE MEASURE	 SCREW DRIVER	 6mm&3mm(1/4" & 1/8") DRILL BITS	 HACKSAW	 SAFETY GLASSES




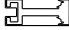










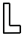



* Use a 6mm(1/4") drill bit for ceramic when drilling into ceramic tiles

CHOOSE A CONFIGURATION

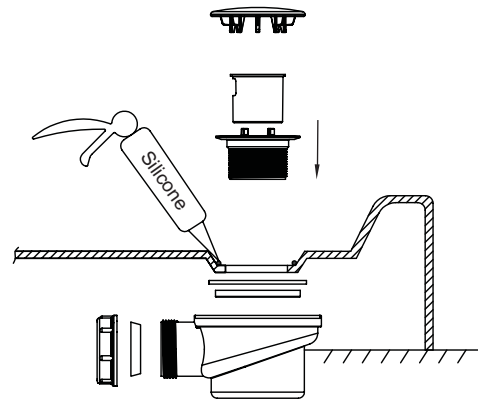
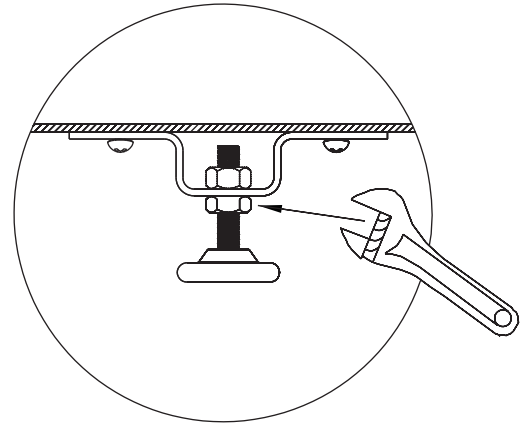
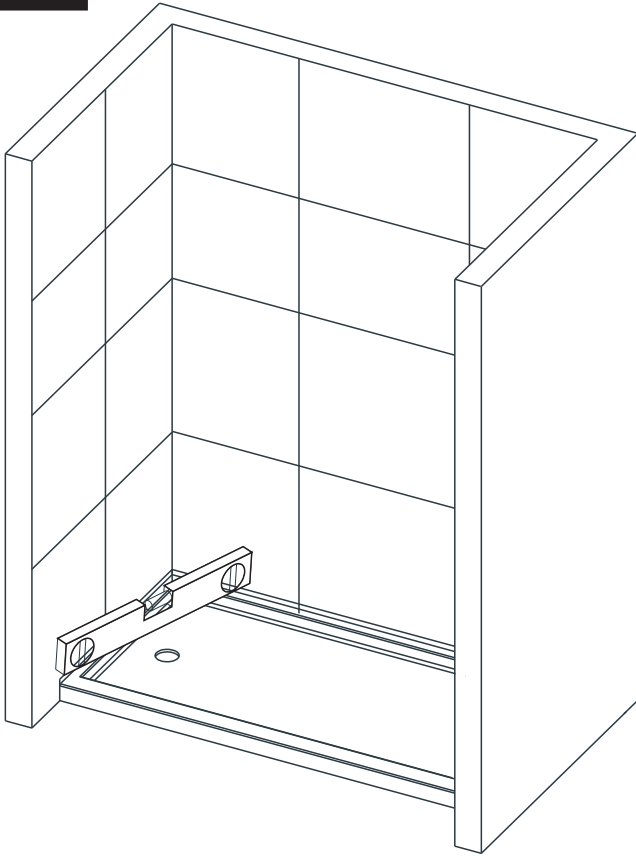


PARTS LISTING



ITEM	PARTS	DIAGRAM	QTY	ITEM	PARTS	DIAGRAM	QTY
1	Roller		4	10	Floor guide		1
2	Wall plugs Ø6		5	11	Rail		1
3	Screw St4x30		5	12	Anti-collision block		4
4	Anti jumping knob		4	13	Wall mount bracket		2
5	Door seal		4	14	Guide rail bracket		2
6	Sliding door		1	15	Sliding door		1
7	Towel bar		1	16A	Finger pull knob		1
8	Anti-splash threshold		1	16B	Towel bar		1
9	Floor guide cover cap		1	16C	Point Handle		2

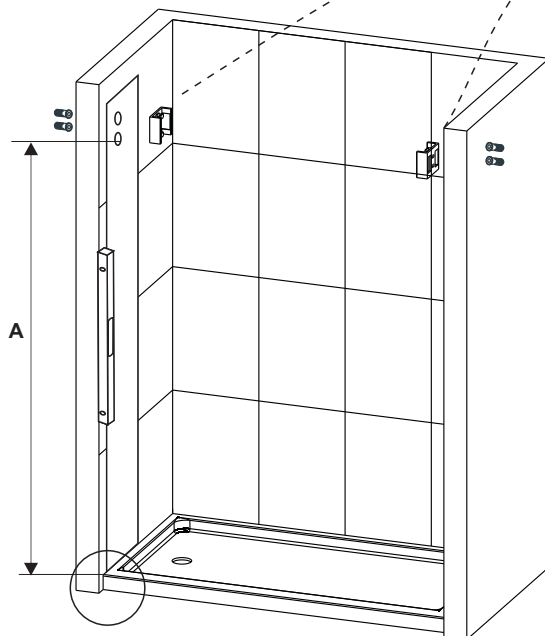
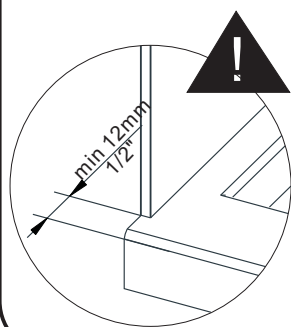
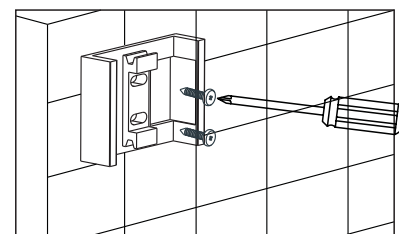
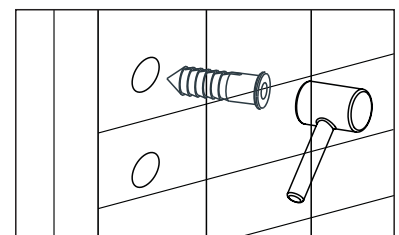
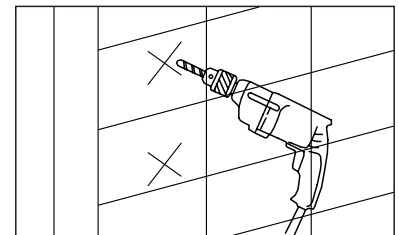
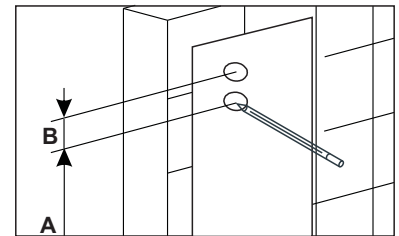
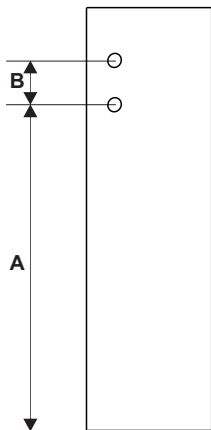
1



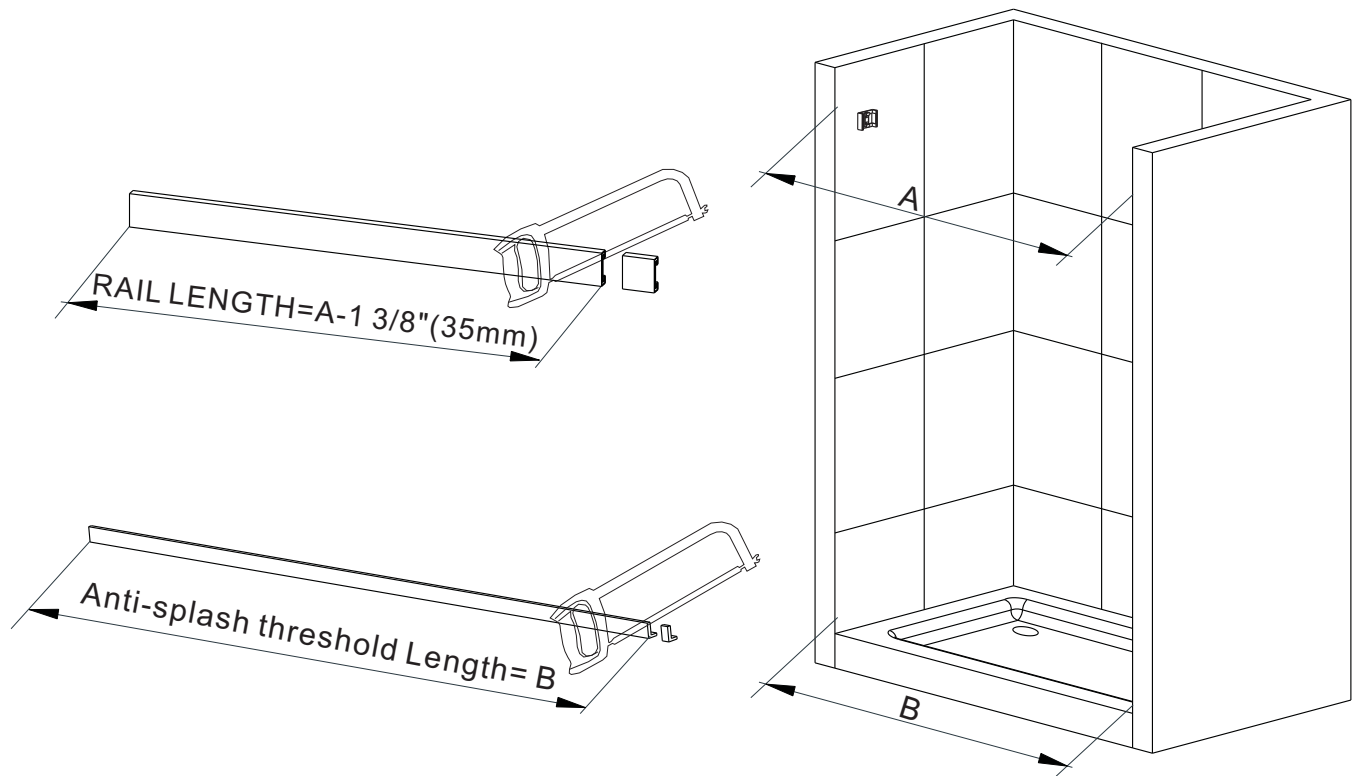
2

Product Height	A	B
60"(1524mm)	55 1/2"(1411mm)	7/8"(22mm)
66"(1676mm)	61 1/2"(1563mm)	
72"(1828mm)	67 1/2"(1716mm)	
75"(1905mm)	70 1/2"(1792mm)	
76"(1930mm)	71 1/2"(1817mm)	
78"(1981mm)	73 1/2"(1868mm)	
79"(2006mm)	74 1/2"(1894mm)	

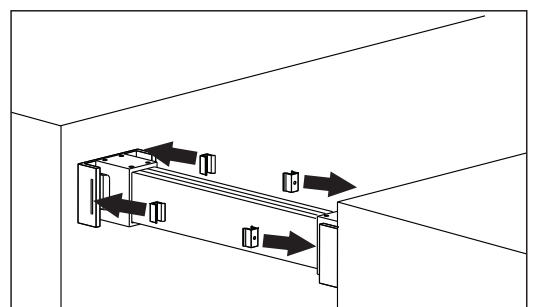
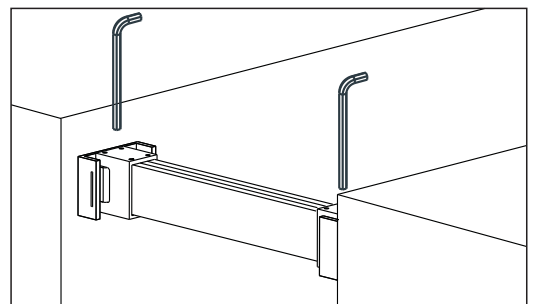
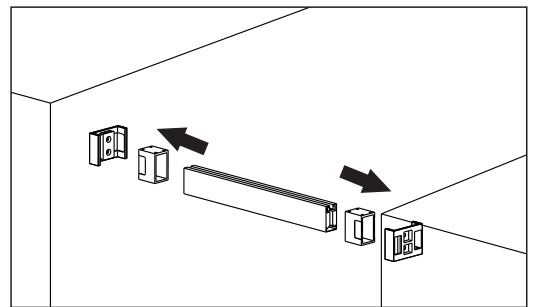
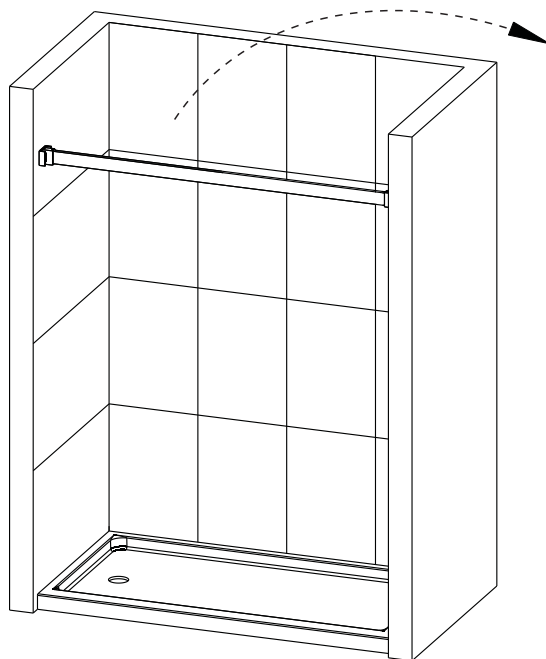
*A=product height-4 1/2"(113mm)
 *Without the size, please contact the local dealer.



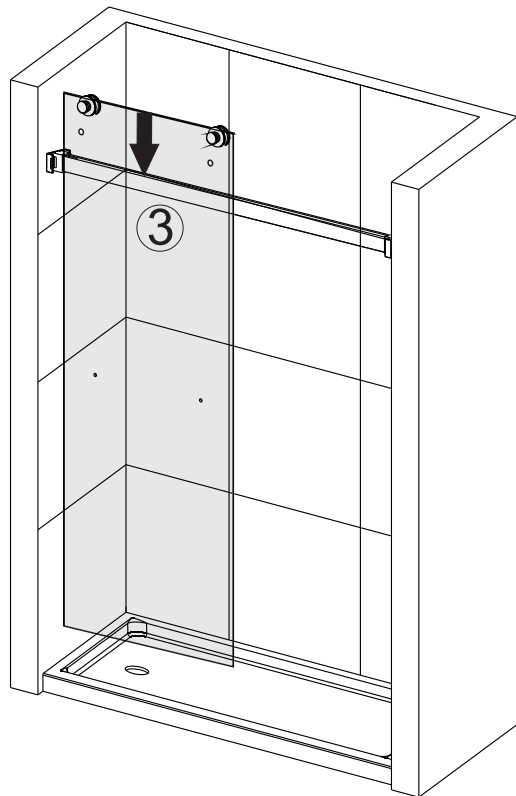
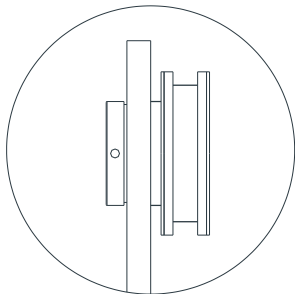
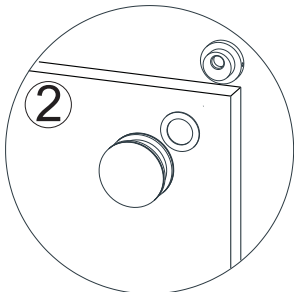
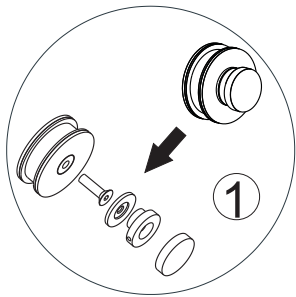
3



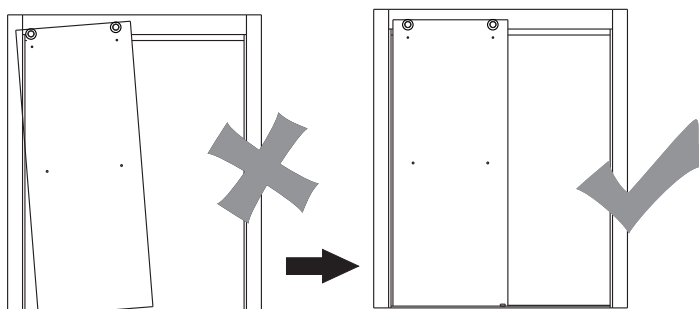
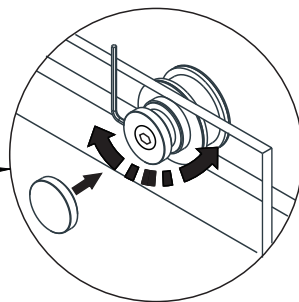
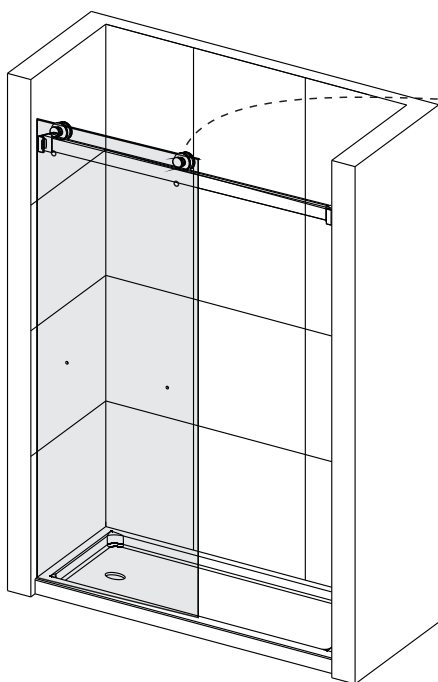
4



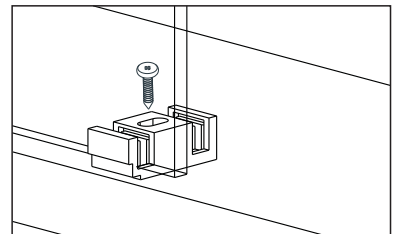
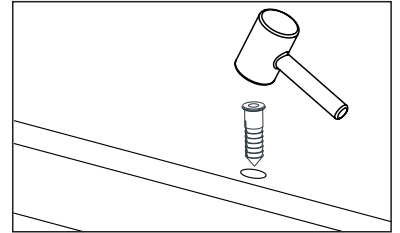
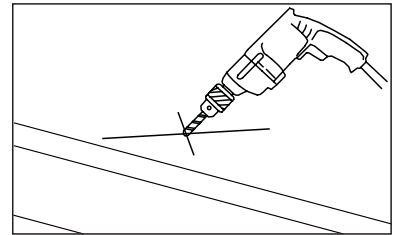
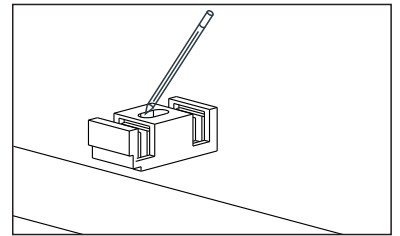
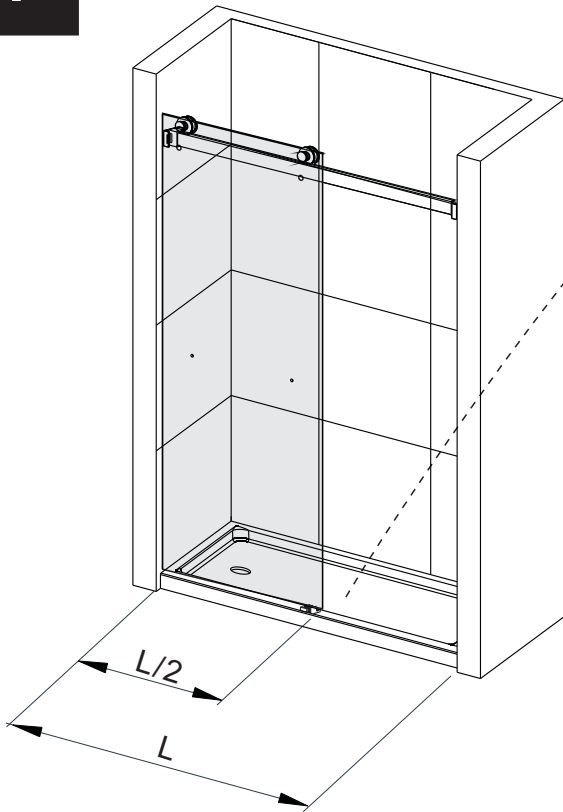
5



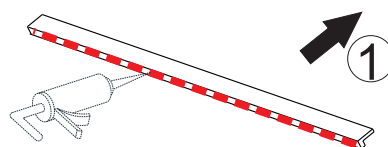
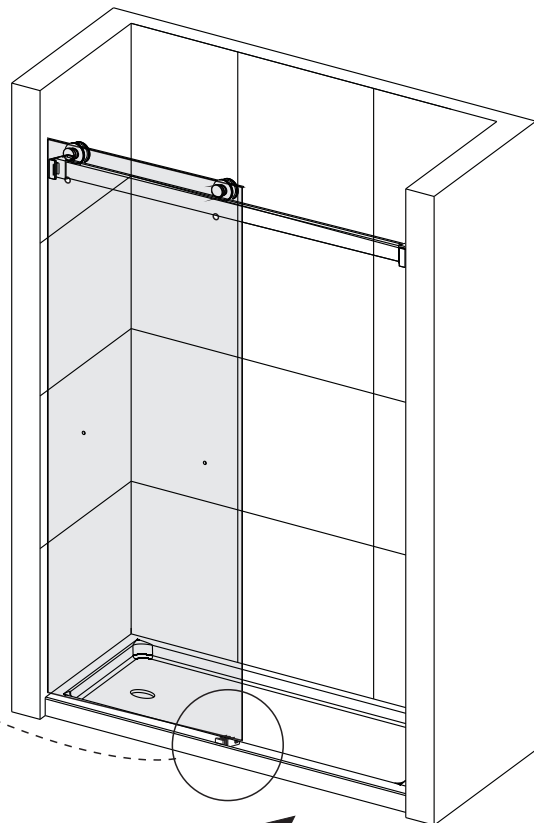
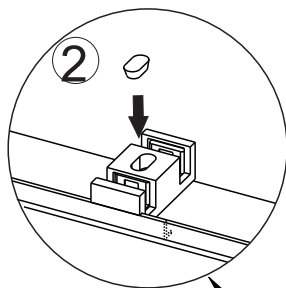
6



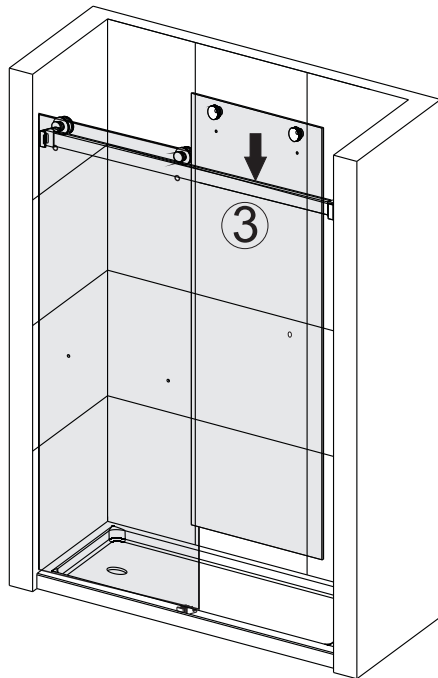
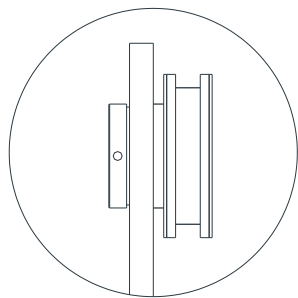
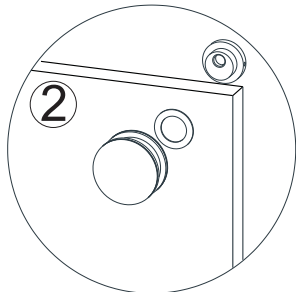
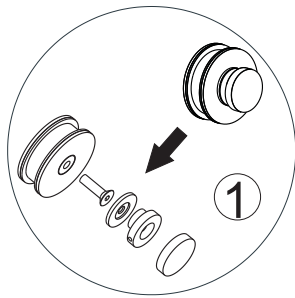
7



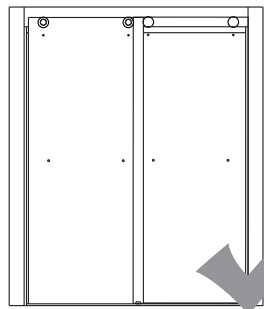
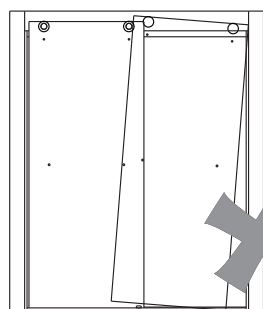
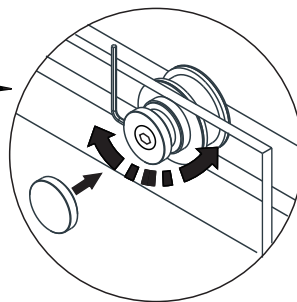
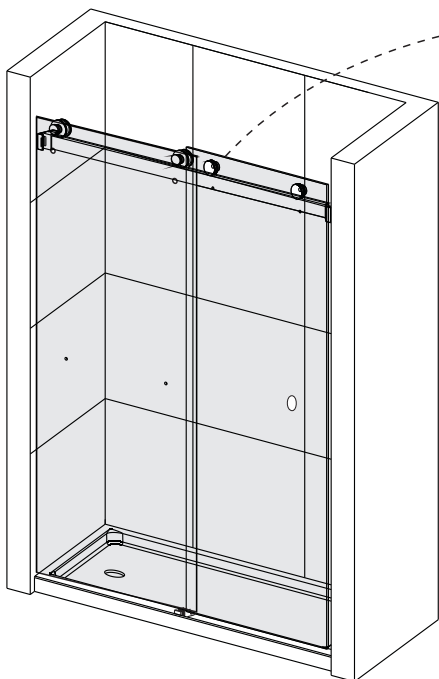
8



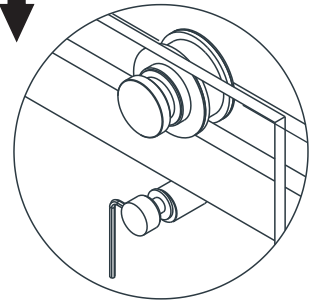
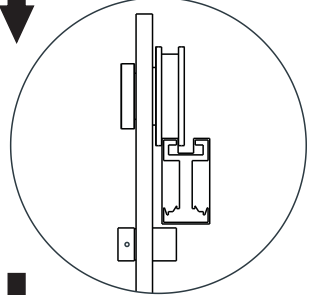
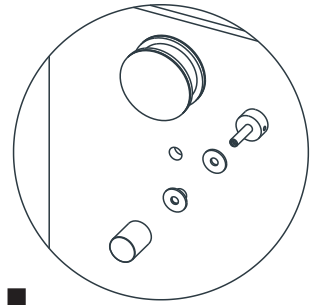
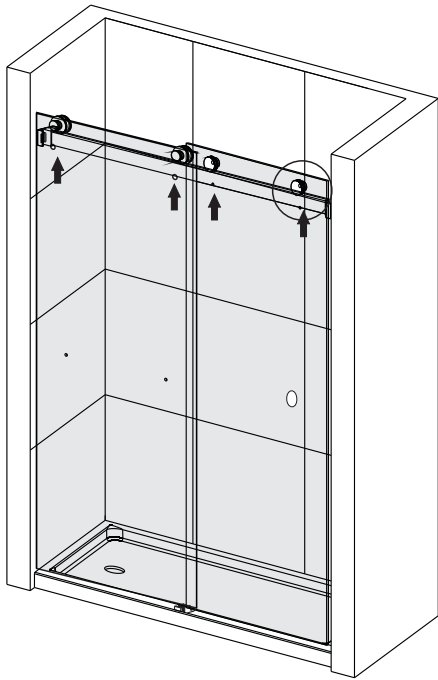
9



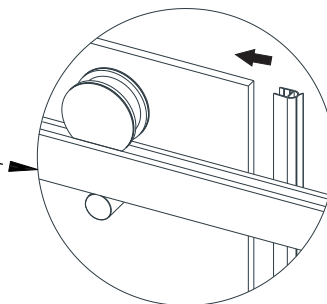
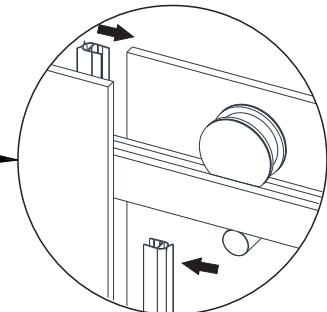
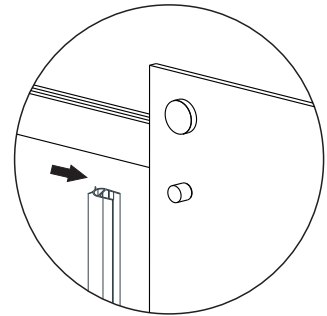
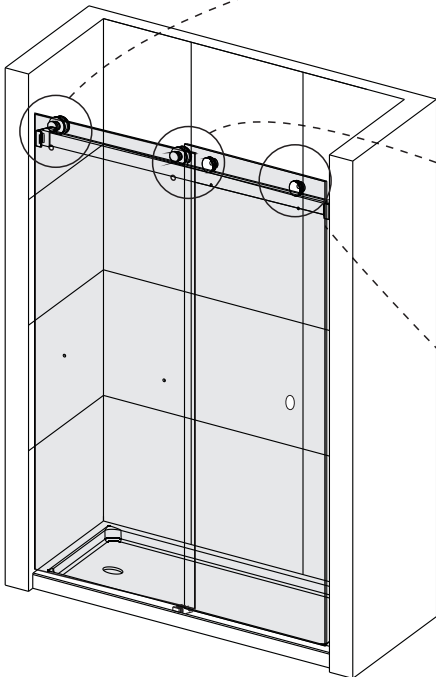
10



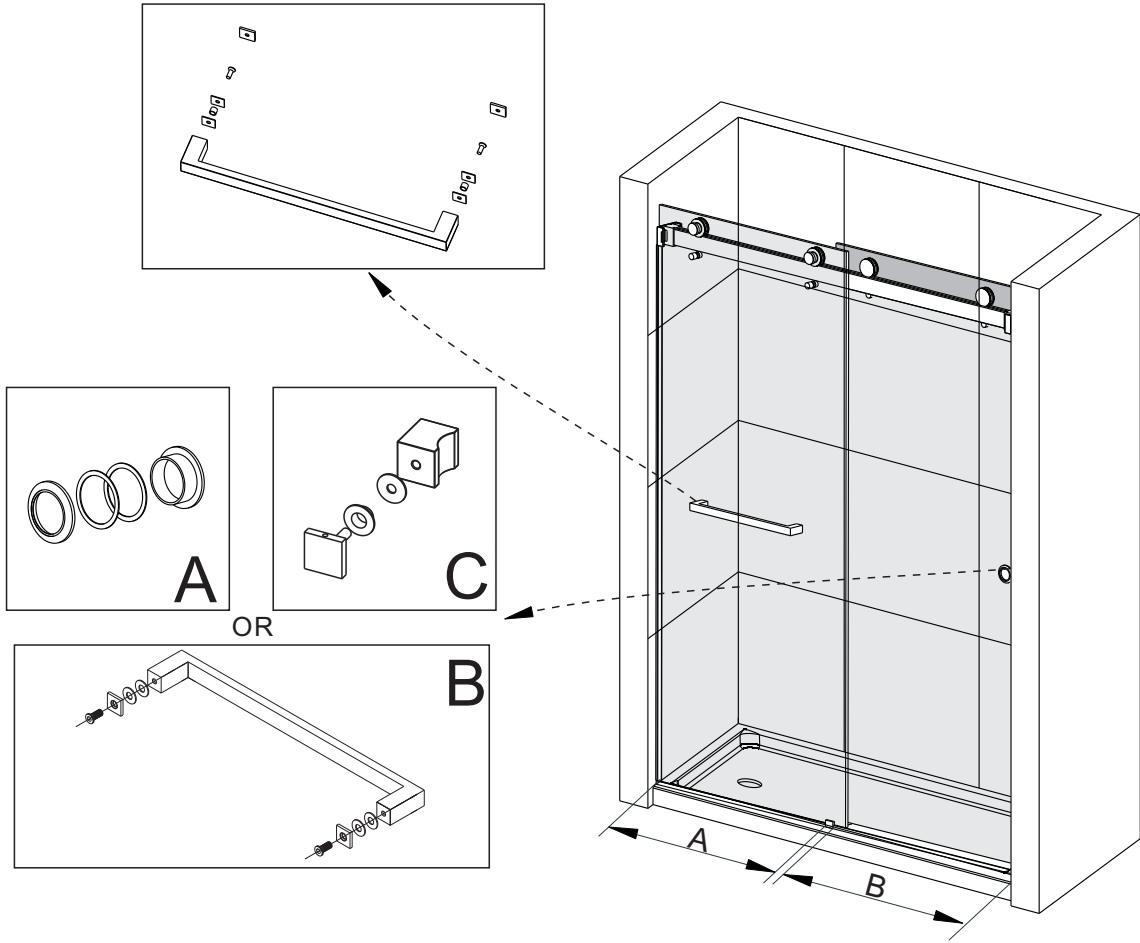
11



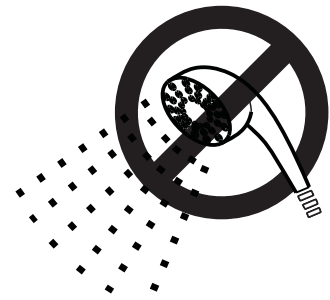
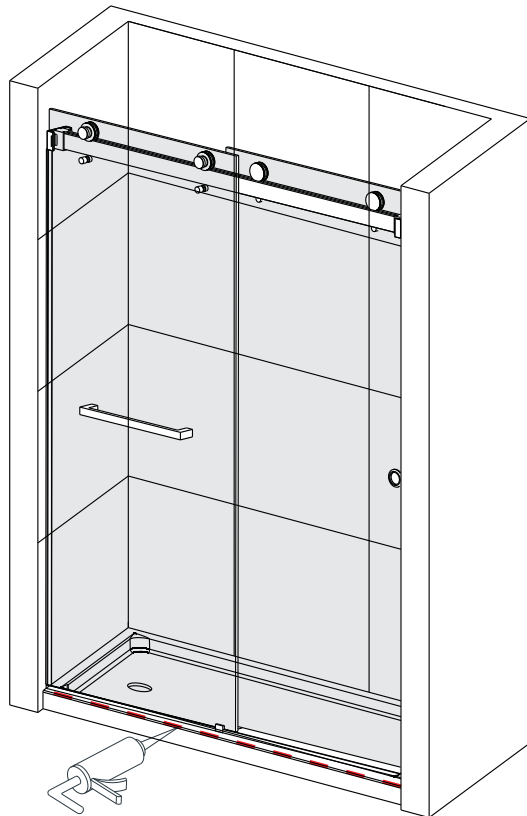
12



13



14



24 HOURS