

ADSG040

TV Stand

V3.3

wlive-cs@devaise.com



IMPORTANT INFORMATION

READ CAREFULLY.

KEEP THIS INFORMATION FOR FURTHER REFERENCE.

GENERAL GUIDELINES

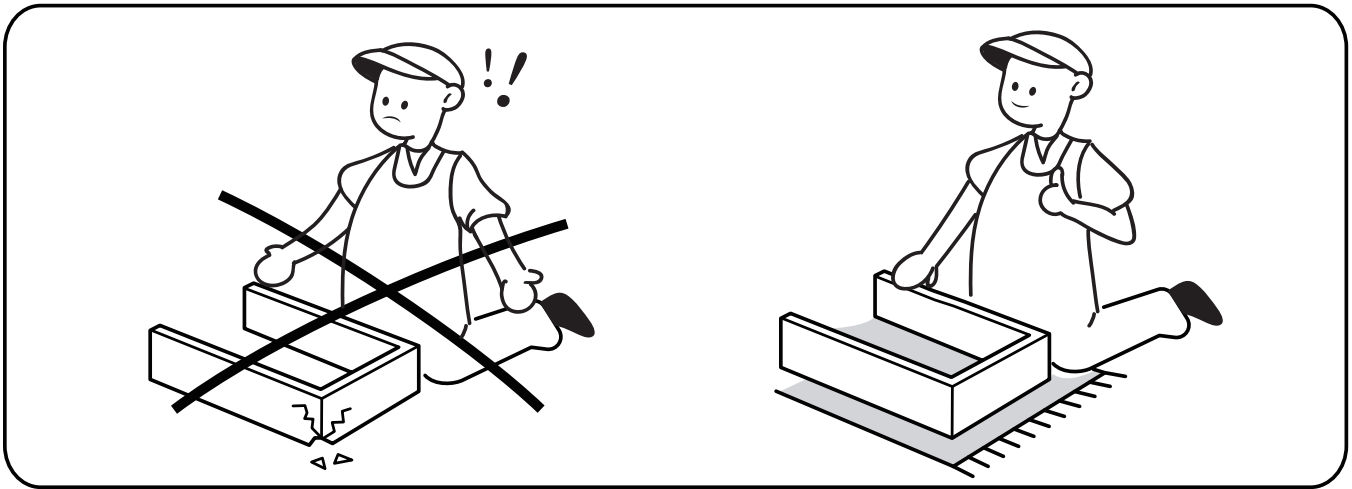
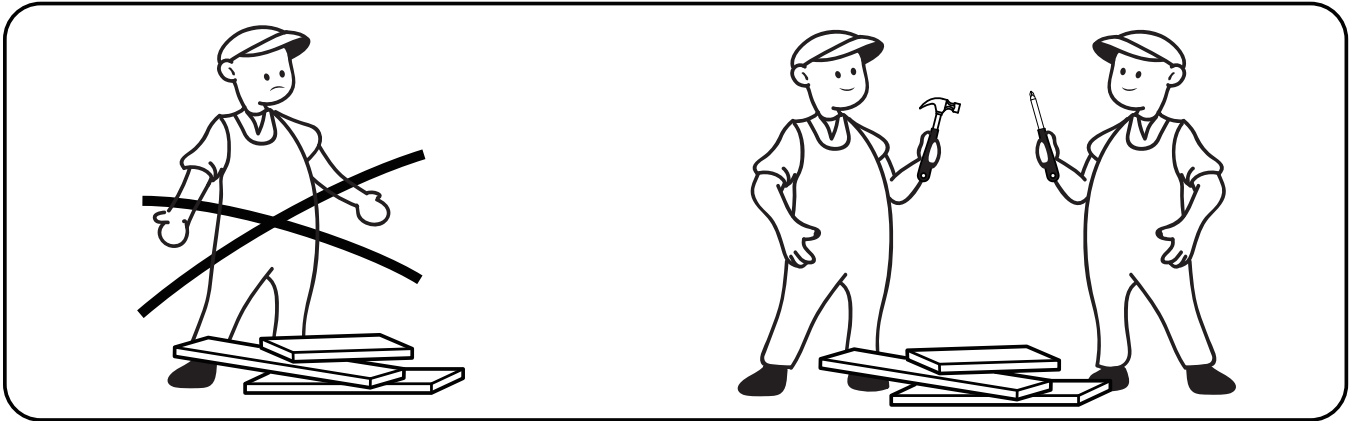
- Please read the following instruction carefully and use the product accordingly.
- Please keep this manual and hand it over when you transfer the product.
- This summary may not include every detail of all variations and considered steps. Please **contact us** when further information and help are needed.

NOTES

- Please follow the assembly instructions precisely and only use the product as intended.
- If an odor is present when first opening the package, please leave the unwrapped product in a shaded and ventilated area for a few days to air out.
- Prior to assembly, please check the product for defects or missing accessories. If any defects are found or accessories are missing, do not use product as damage or injury may occur;
Please **contact us** for assistance and replacement.
- It is suggested you regularly check the products bolts and connections to ensure safe use.
- Assemble the item on a soft flat and clean surface to avoid scratches and damage.
- It is recommended that two people assemble this product.

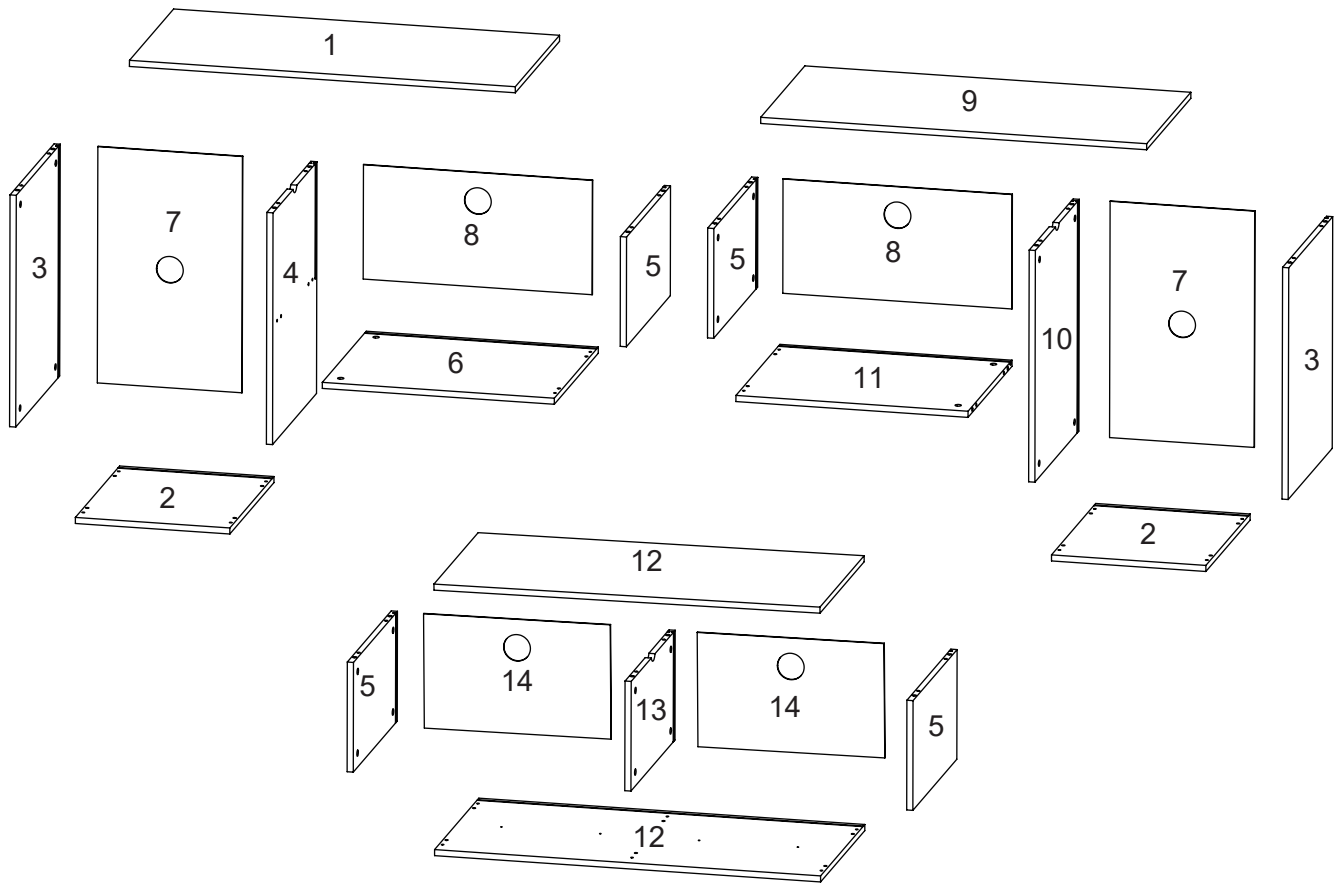
WARNINGS

- During assembly, keep parts and packaging materials away from children and pets as there could cause injury and are a potential choking hazard.
- Avoid sharp objects or corrosive chemicals to prevent damage to the product.
- Please open the item slowly and cautiously to avoid pinching your hands by metal joints, especially children.






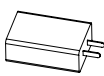
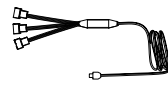
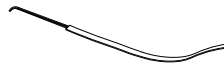
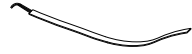
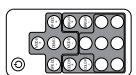
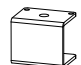

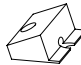

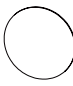

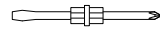


- If you have any further questions, please feel free to contact us by email or official website: **wlive-cs@devaise.com**
We will reply ASAP.
- Before installation, please make sure you have all the hardware, the serial numbers are properly labeled corresponding to the list, and the quantity is correct.
- Enjoy your new purchase!

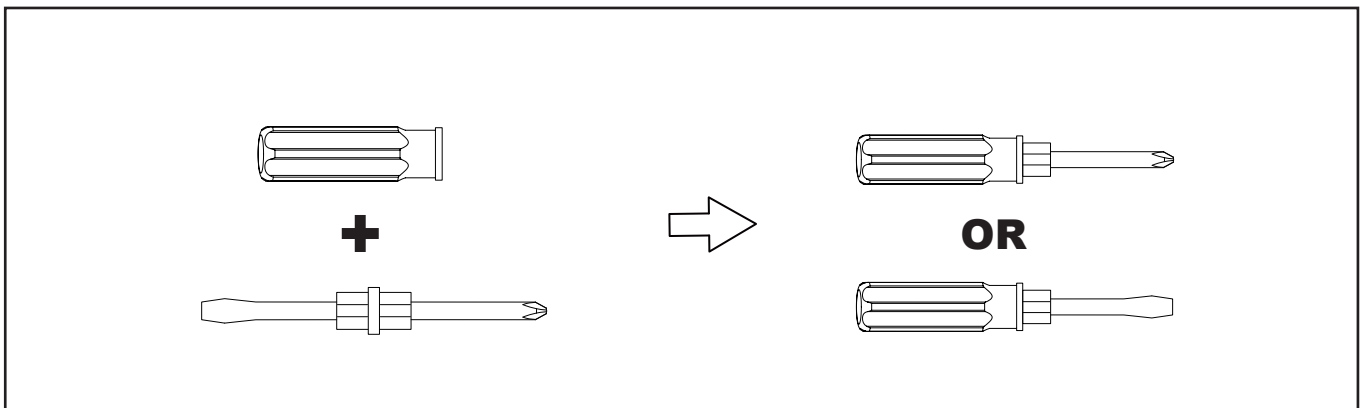
EXPLODED DRAWING



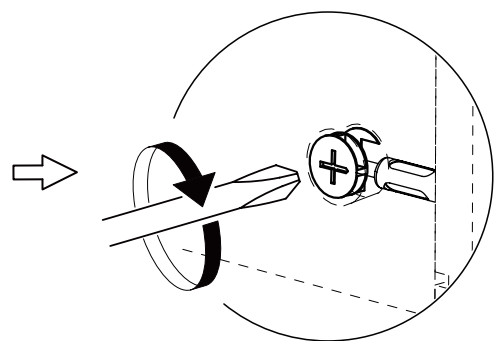
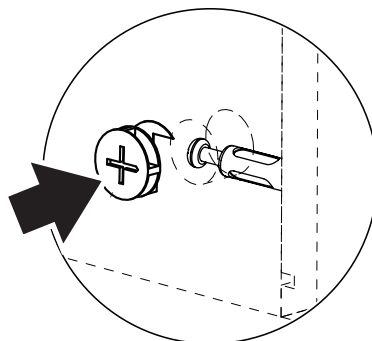
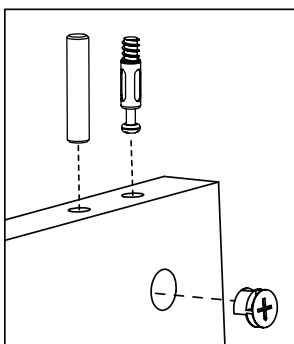
PARTS

| | | | |
|--|--|--|---|
|  A X40 |  B X40 |  C X40 |  D X10  D2 |
|  E X1 |  F X1 |  G X2 Long |  H X1 Short |
|  I X1 |  J X4  J2 |  K X24 |  L X24 M4x14 |
|  M X40 |  N X1  | | |

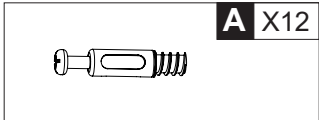
REMARK



MINIFIX POSITION



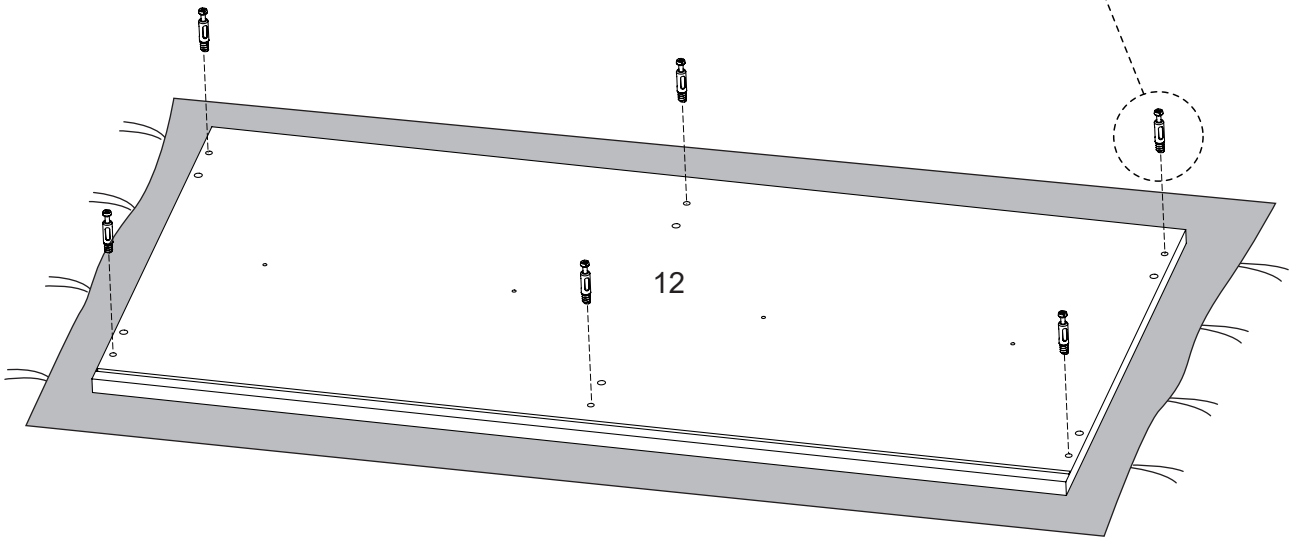
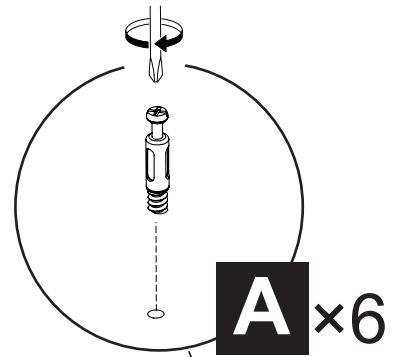
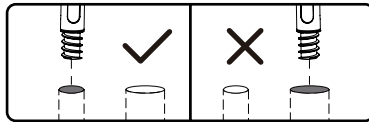
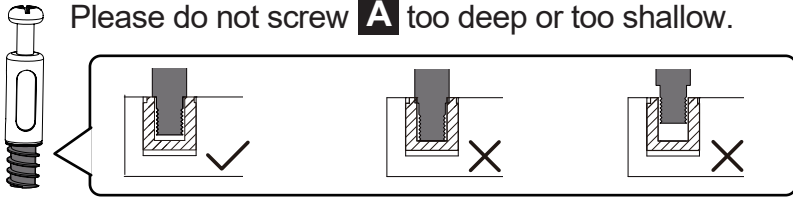
1



REMARK



1. Put a blanket under the board to avoid scratch or damage.

Please do not screw **A** too deep or too shallow.



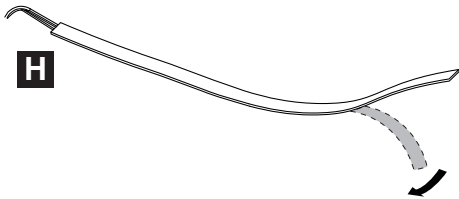
×2


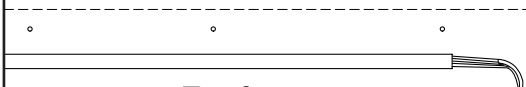
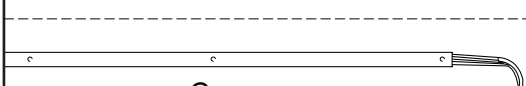
2

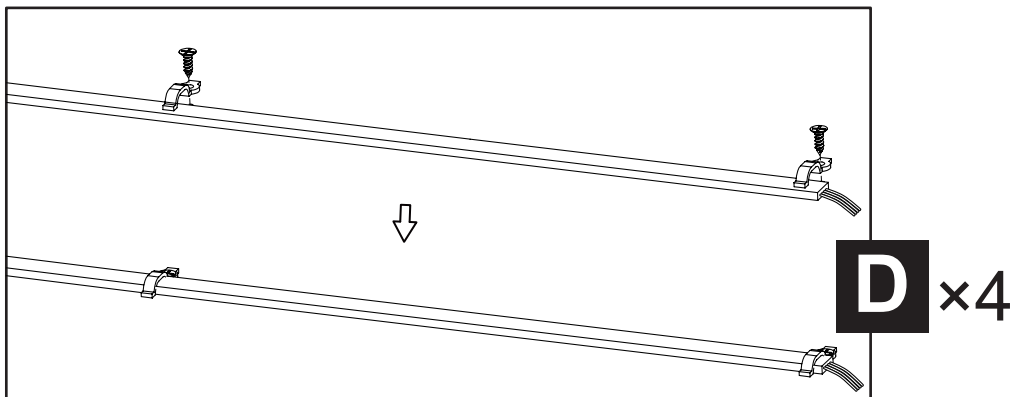
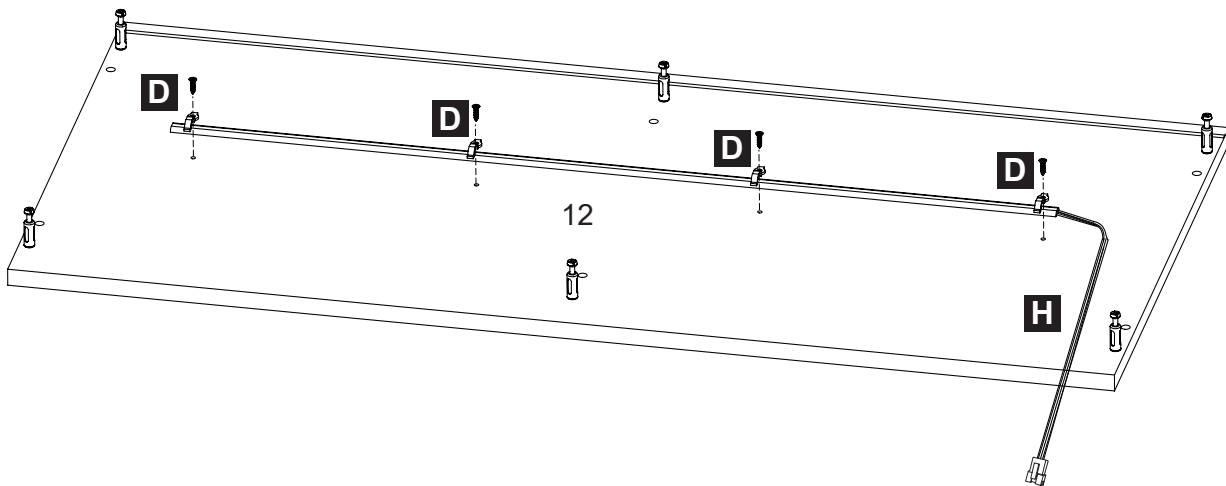
| | | | |
|--|-------------|---|-------------|
|  | H X1 |  | D X4 |
| | Short | | |

REMARK

Peel off the fixing adhesive on the back of the part **H**.

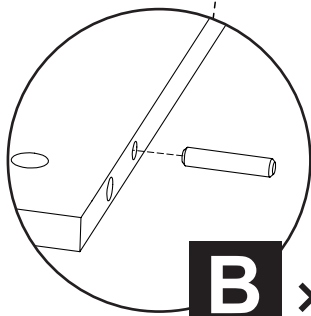
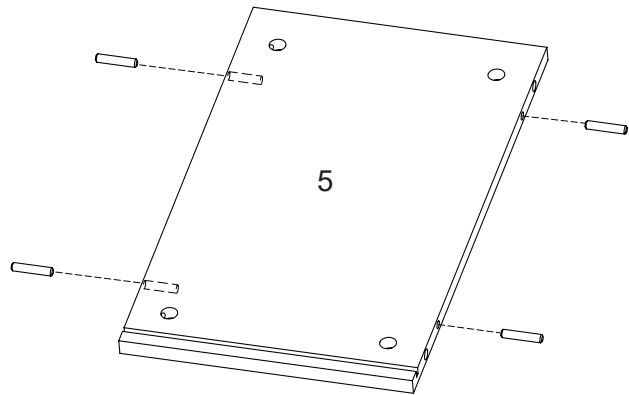
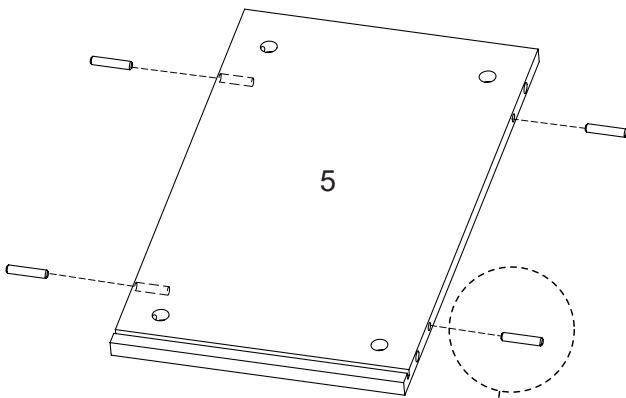
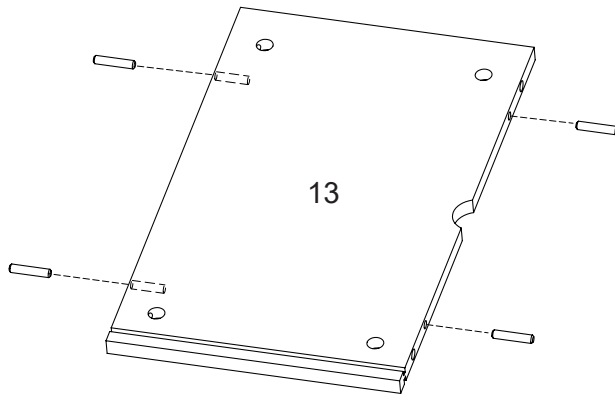
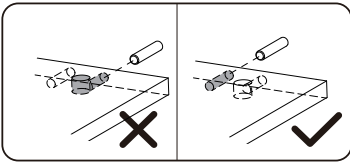


| CORRECT LOCATION | | |
|--|---------|---|
|  | Right | ✓ |
|  | Too far | ✗ |
|  | Cover | ✗ |



3

B X12

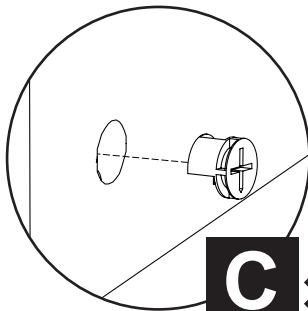
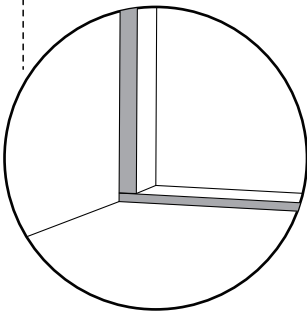
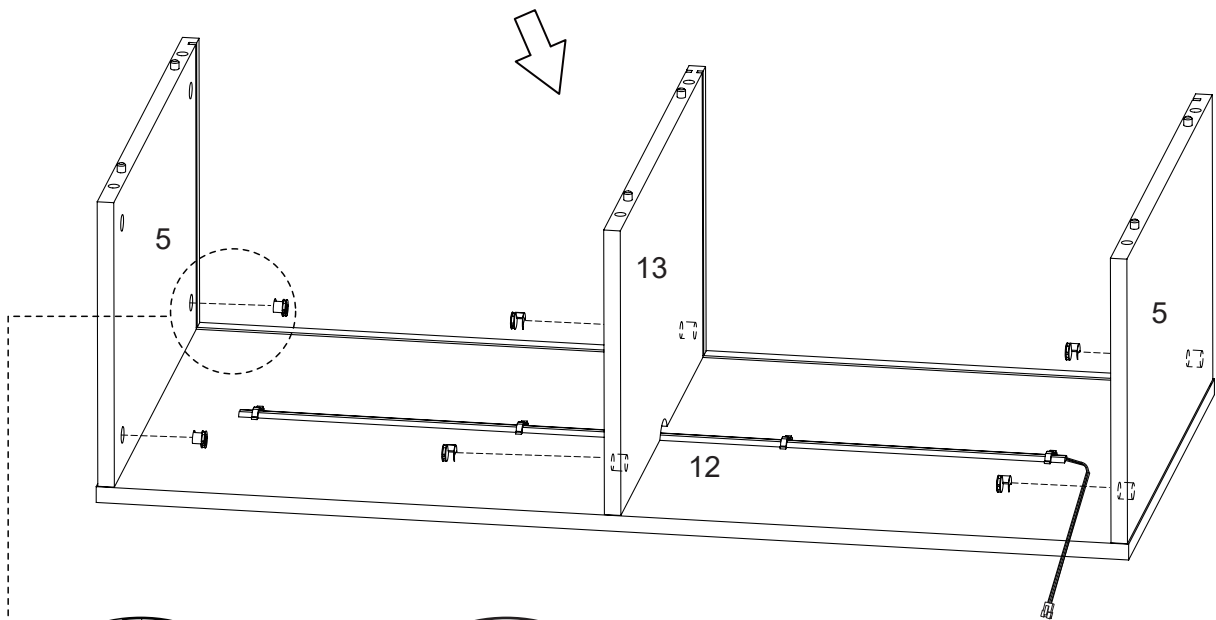
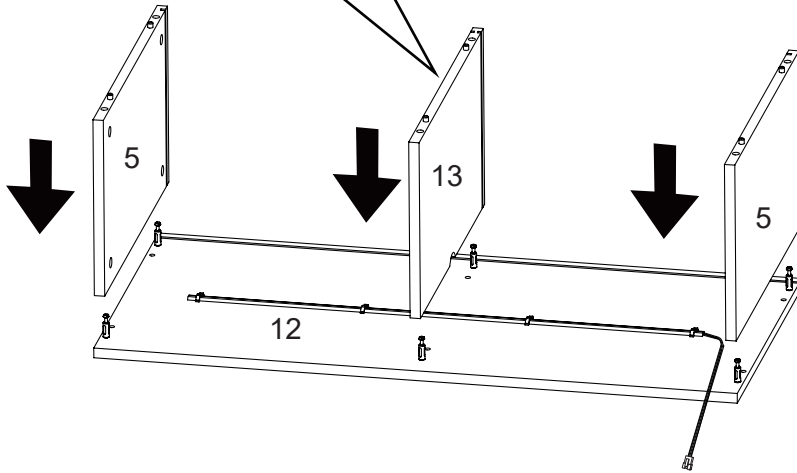
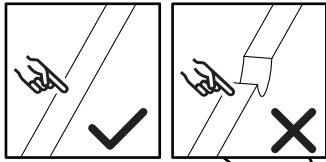


B x12

C X6



4

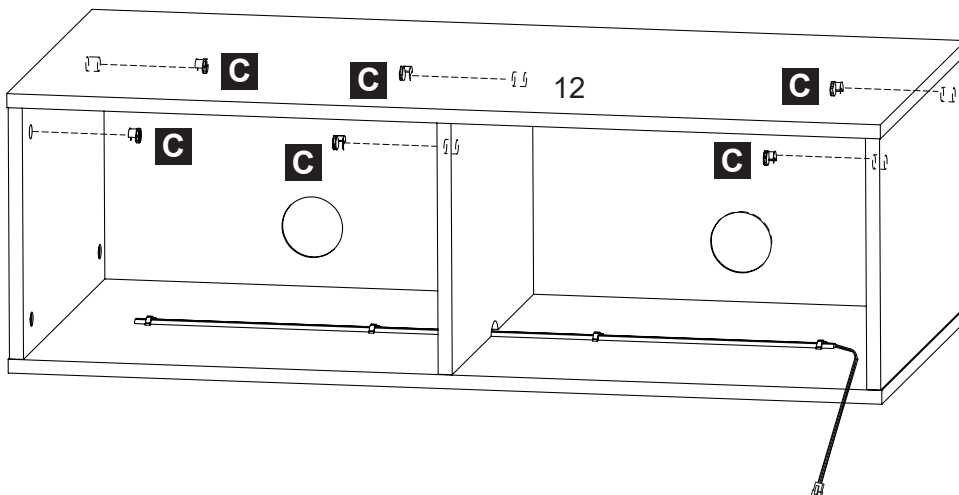
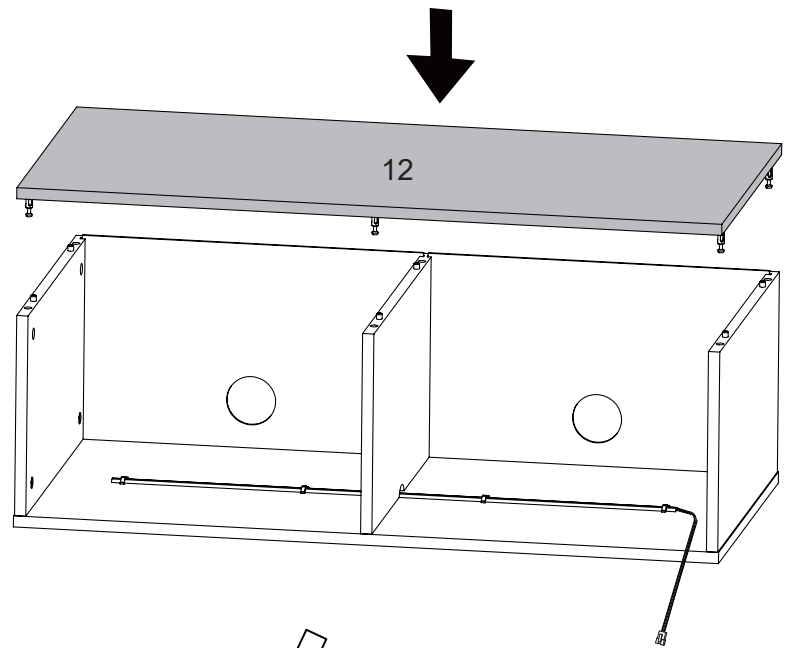
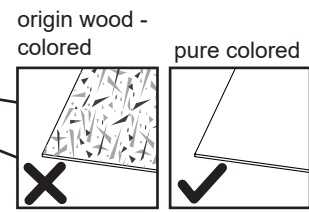
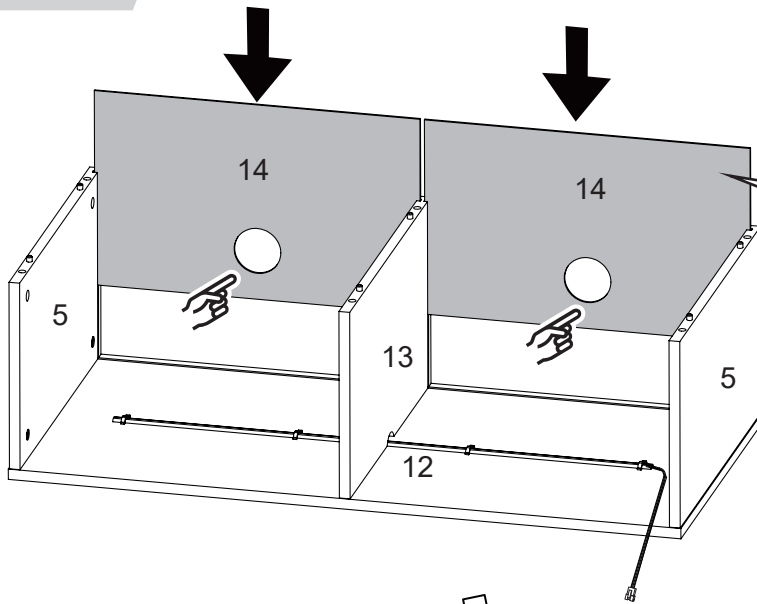
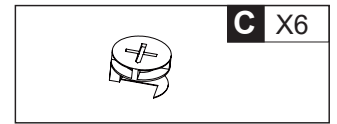


C x6

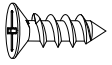

REMARK

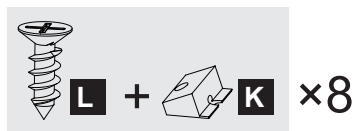
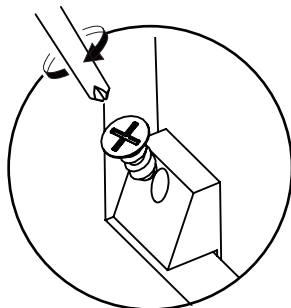
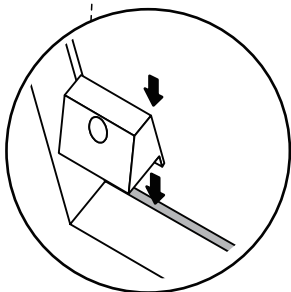
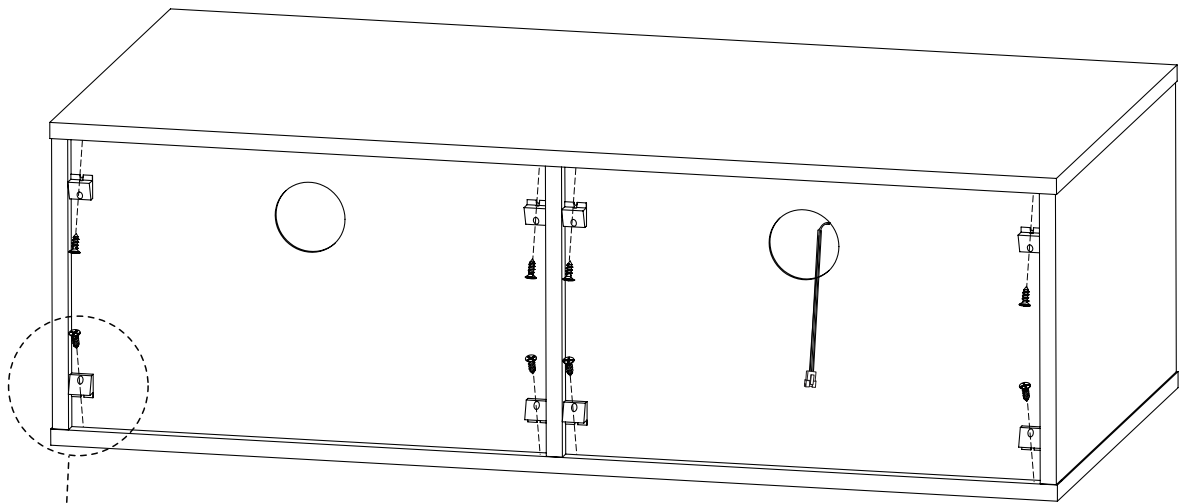
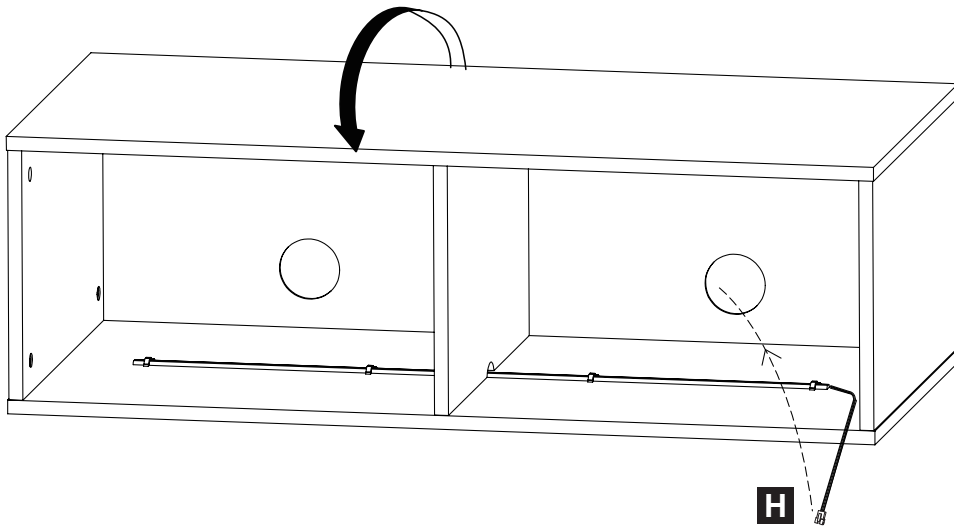
Let the grooves on part **5 13** be connected to the groove on part **12** .

5

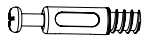
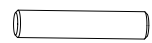


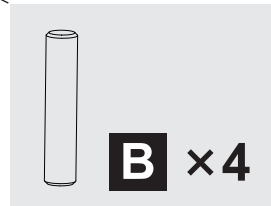
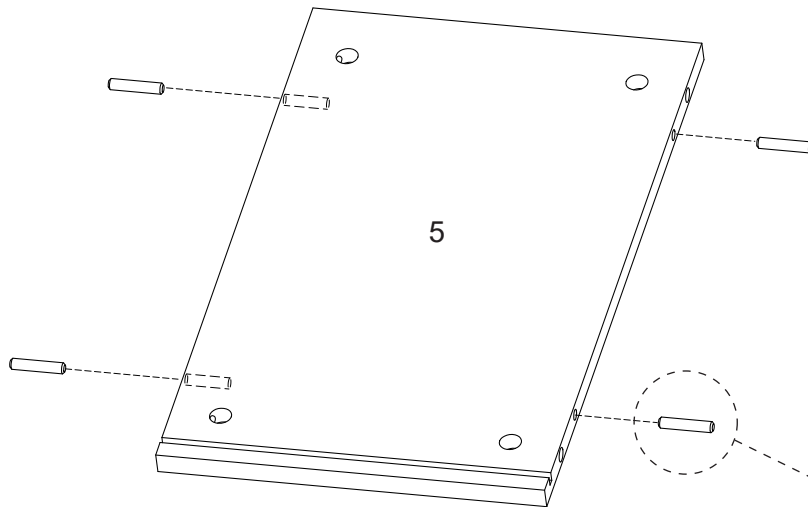
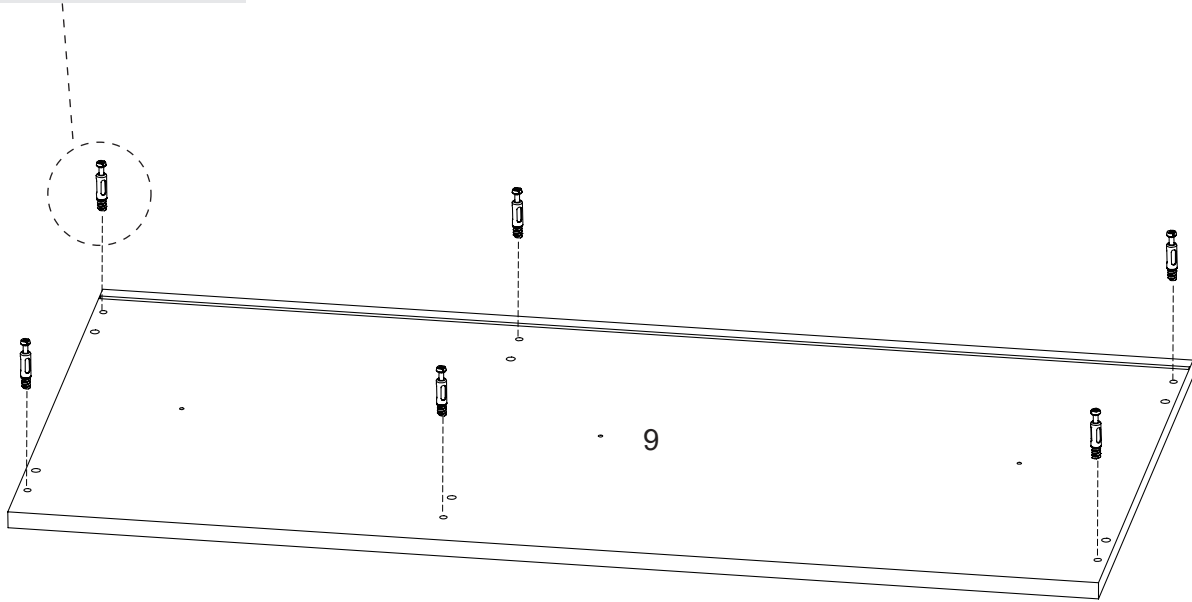
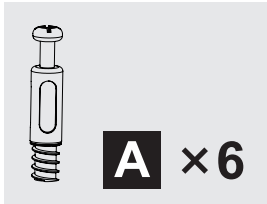
6

| | |
|---|----------------------|
|  | L X8 M4x14 |
|  | K X8 |

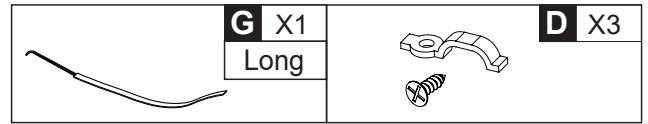


7

| | |
|---|-------------|
|  | A X6 |
|  | B X4 |

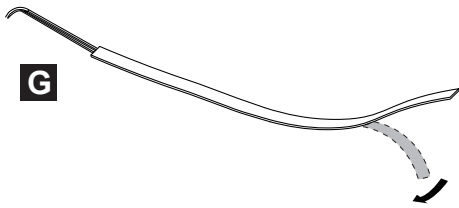


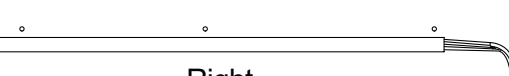
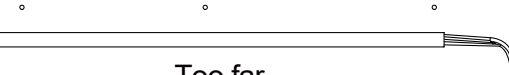
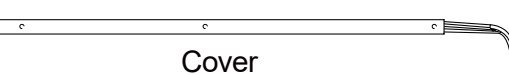
8

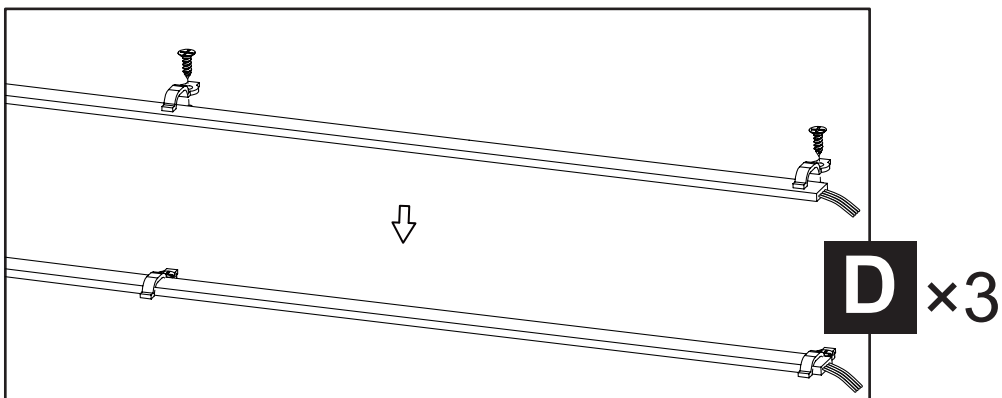
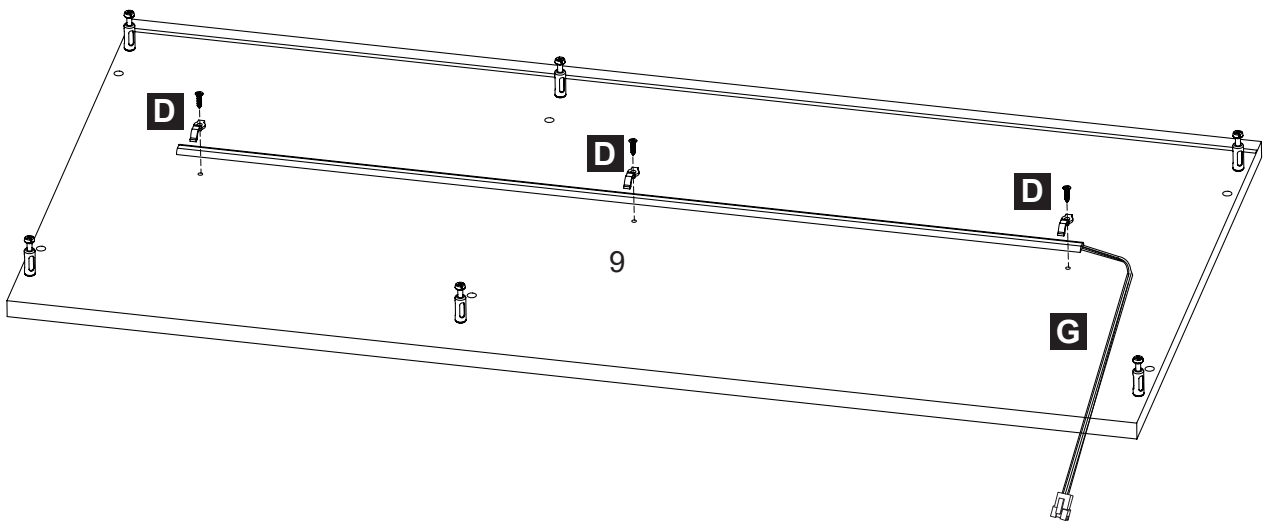


REMARK

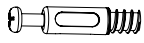
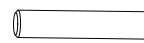
Peel off the fixing adhesive on the back of the part **G**.

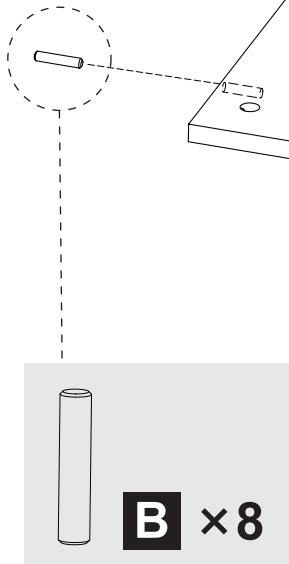
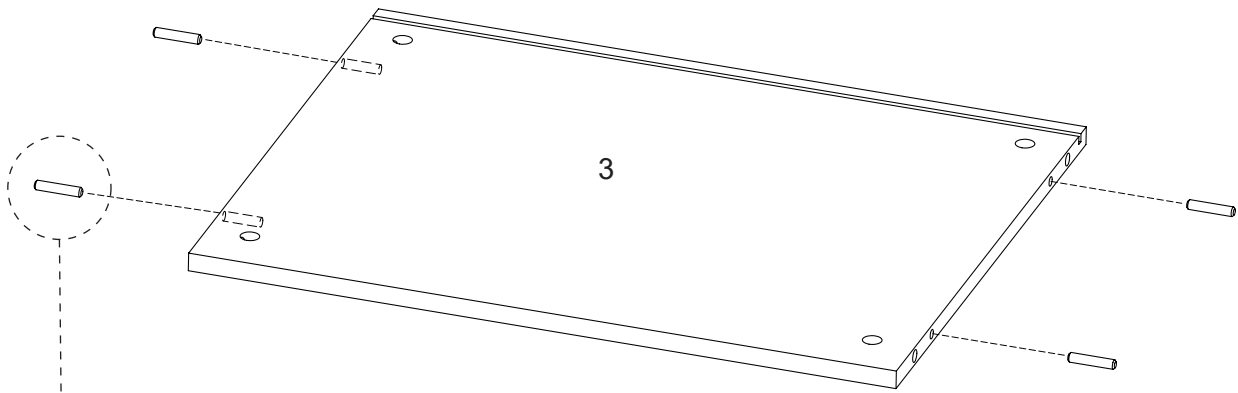
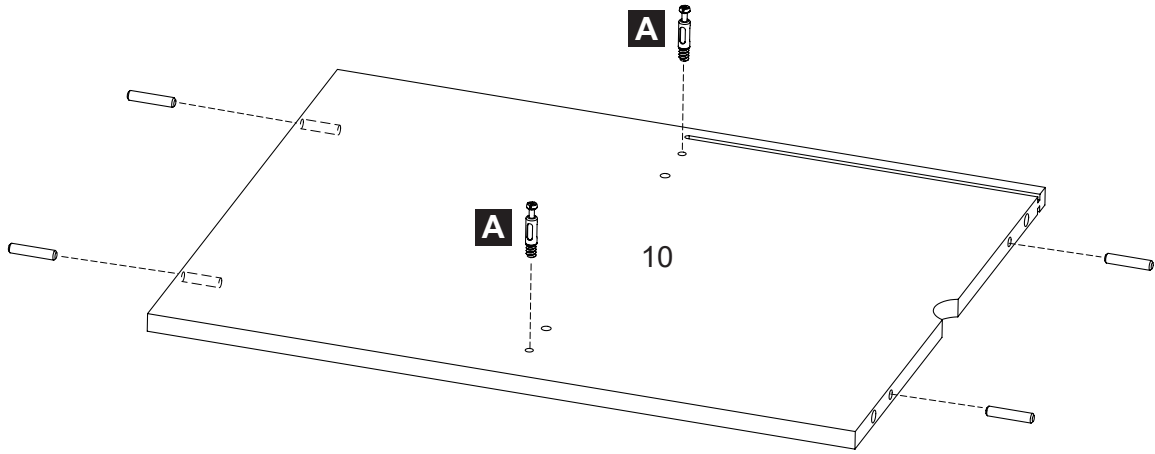


| CORRECT LOCATION | |
|--|---|
|  | ✓ |
| Right | |
|  | ✗ |
| Too far | |
|  | ✗ |
| Cover | |




9

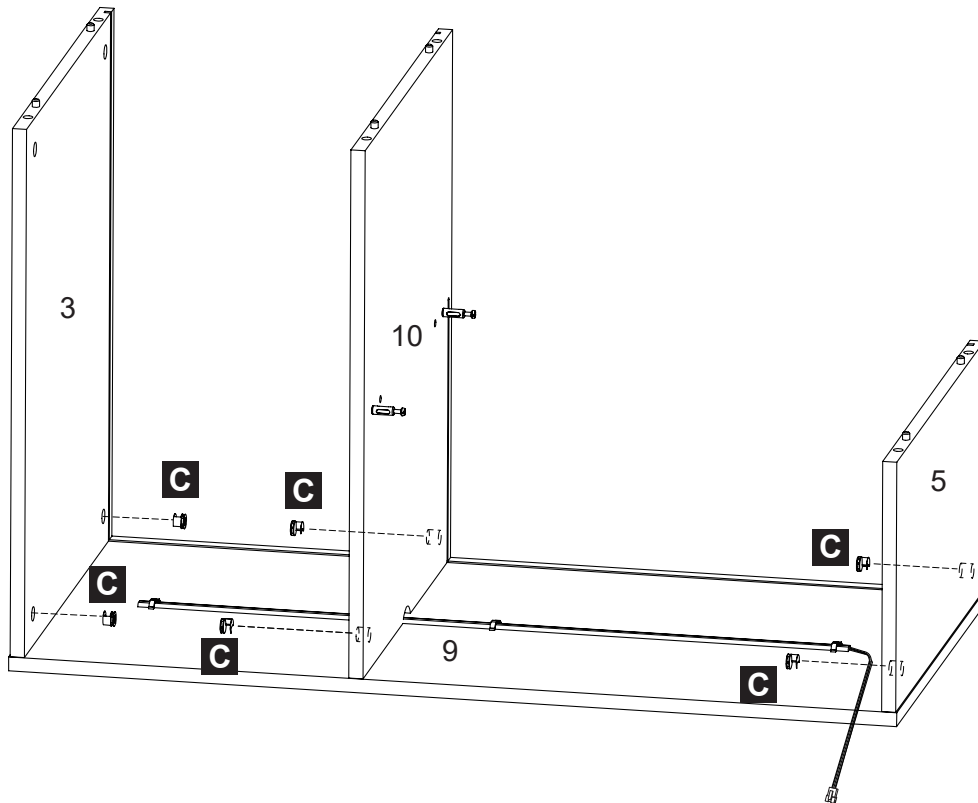
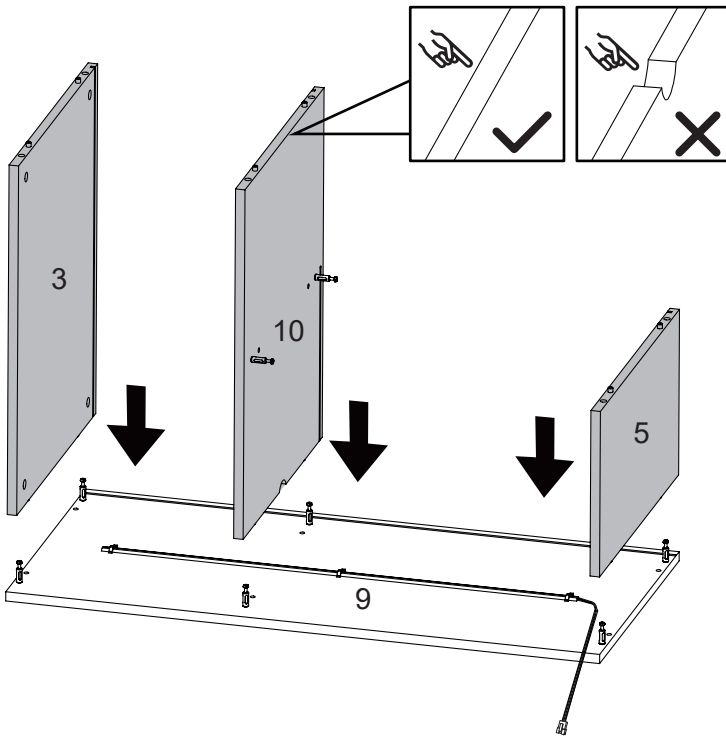
| | |
|---|-------------|
|  | A X2 |
|  | B X8 |



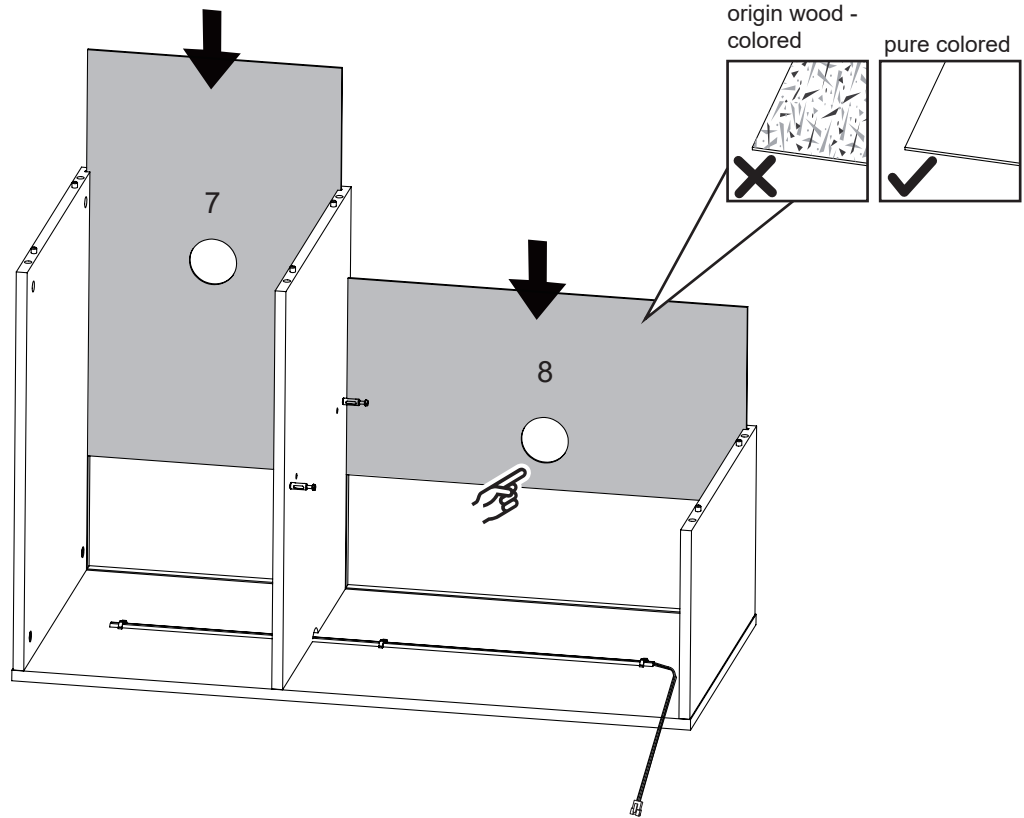
B X8

10

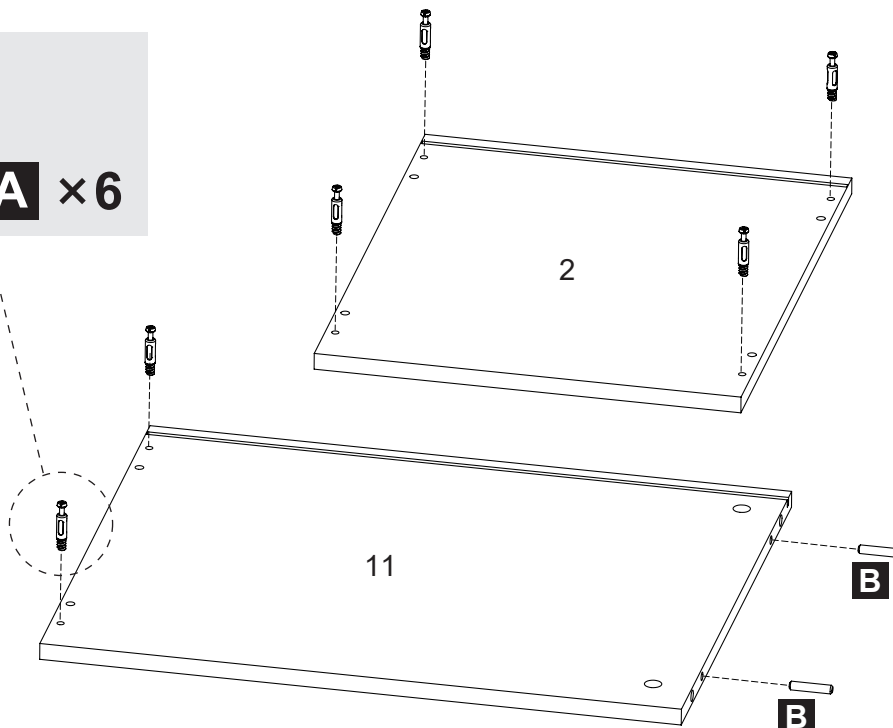
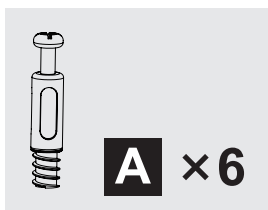
| | |
|---|-------------|
|  | C X6 |
|---|-------------|

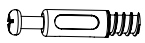



11

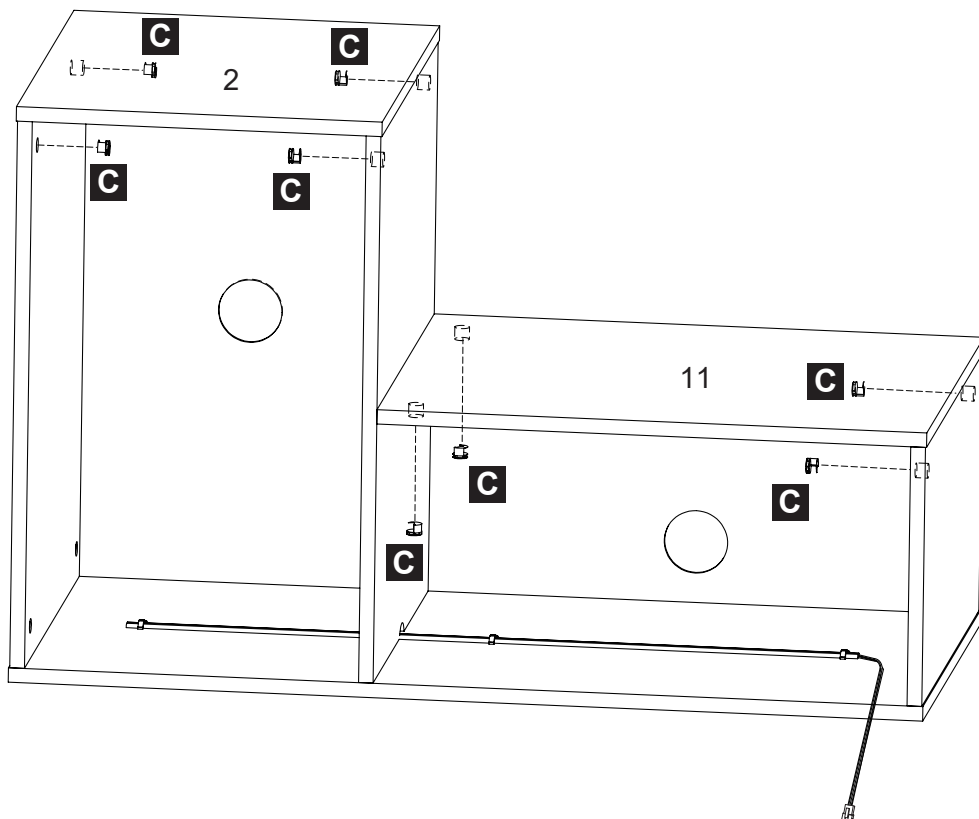
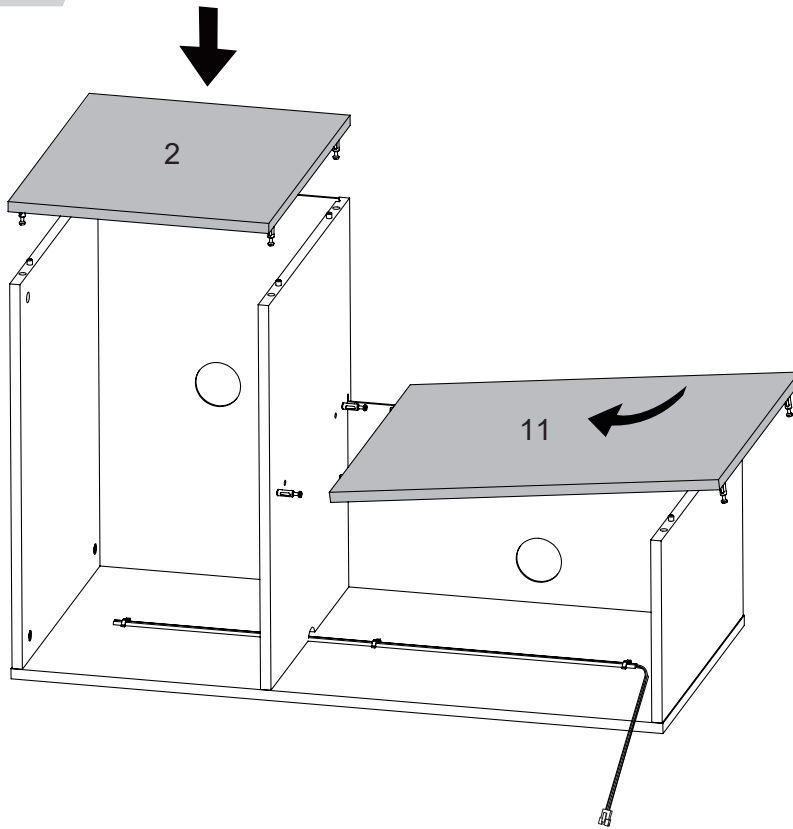
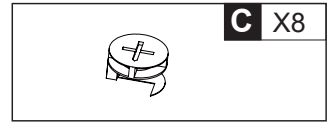


12


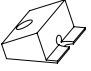


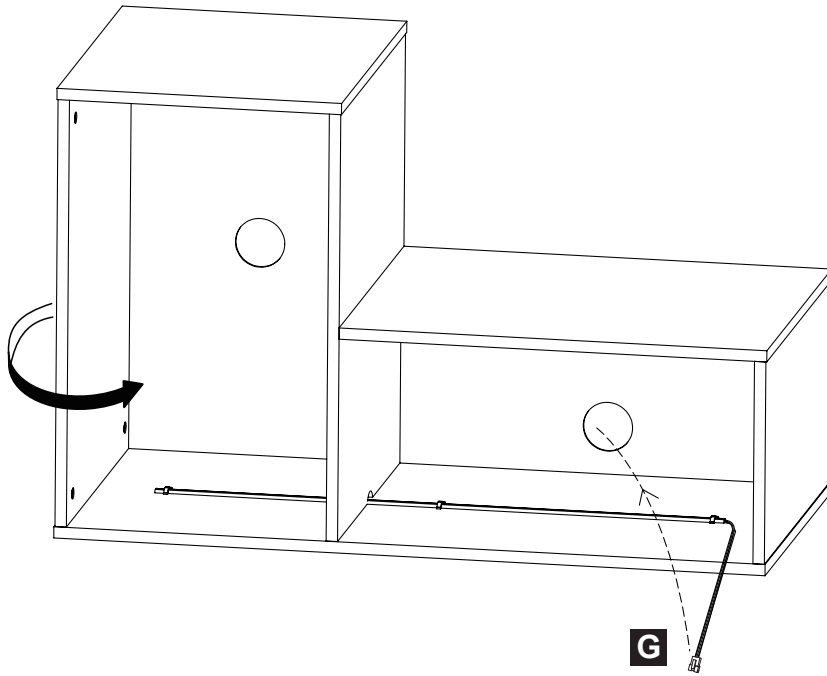
| | |
|---|-------------|
|  | A X6 |
|  | B X2 |



13

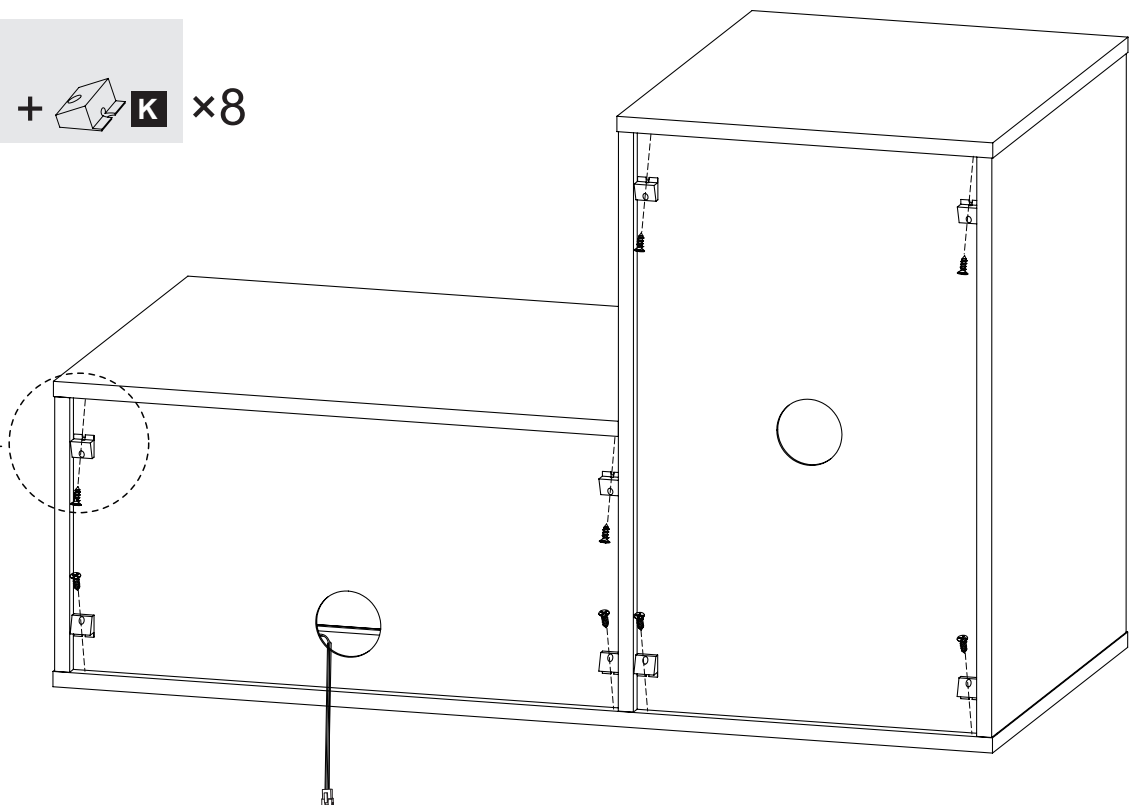


14

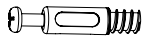
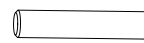
| | |
|---|----------------------|
|  | L X8 M4x14 |
|  | K X8 |

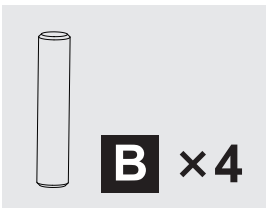
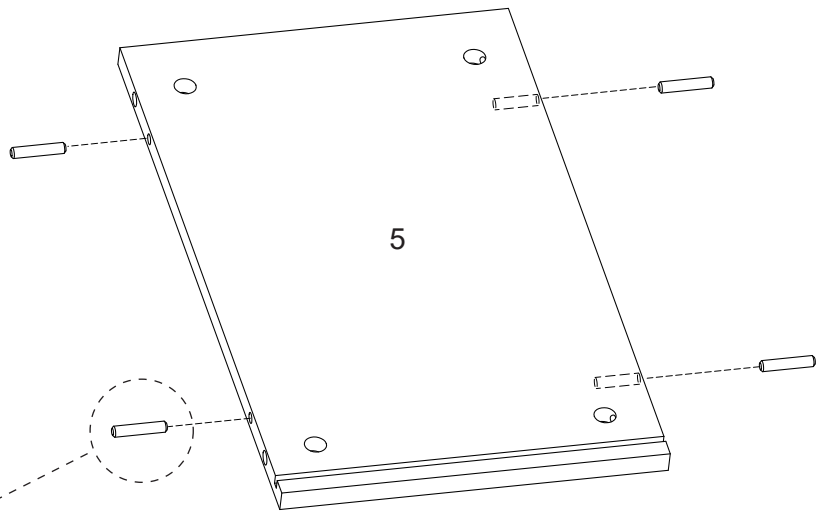
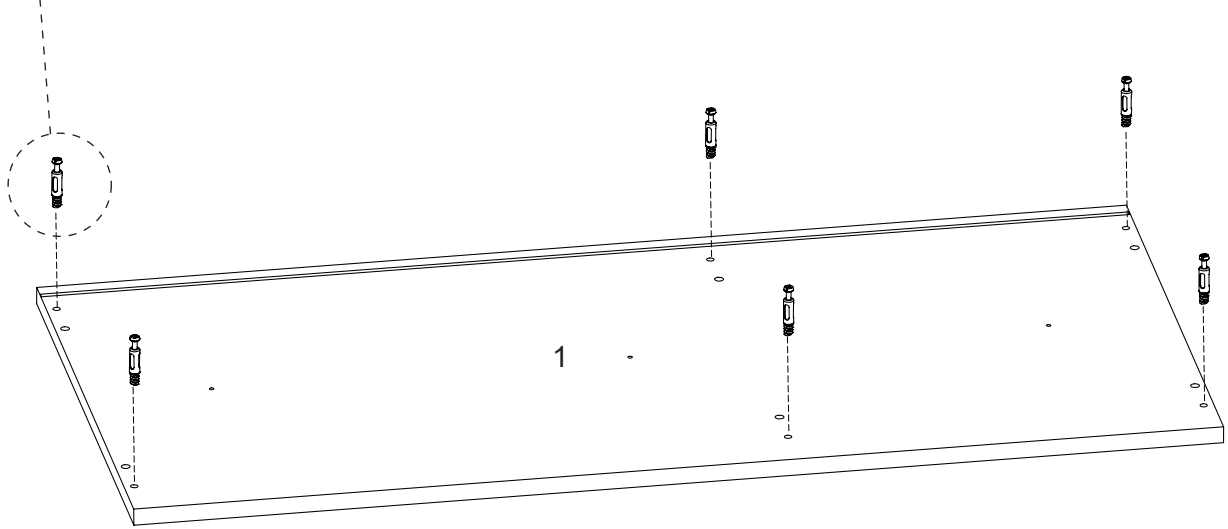
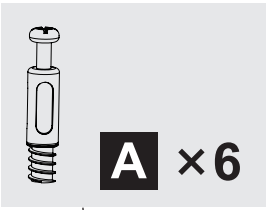


 **L** +  **K** x8

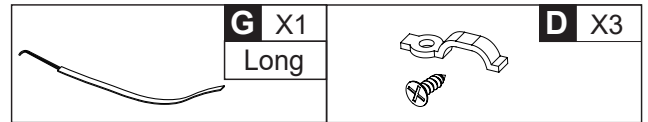


15

| | |
|---|-------------|
|  | A X6 |
|  | B X4 |

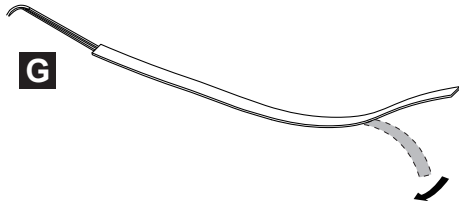


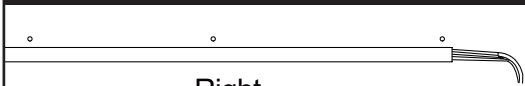
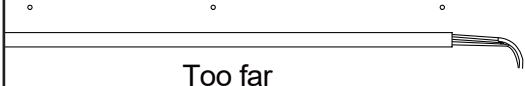
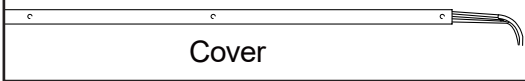
16

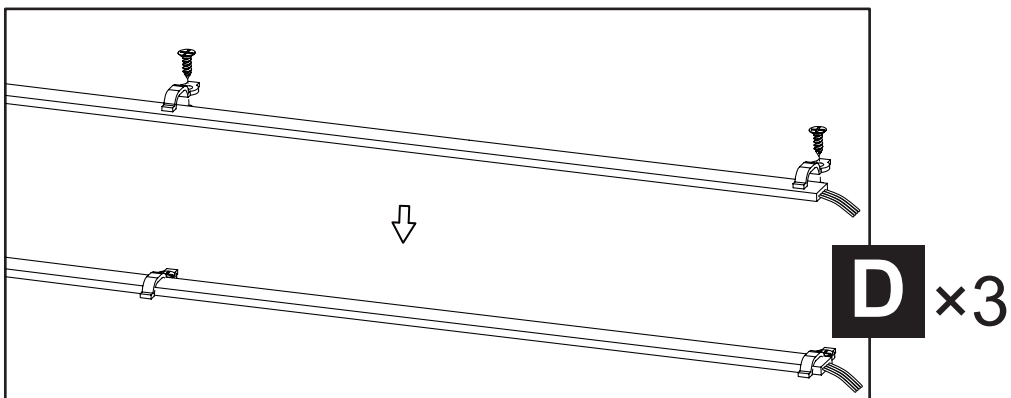
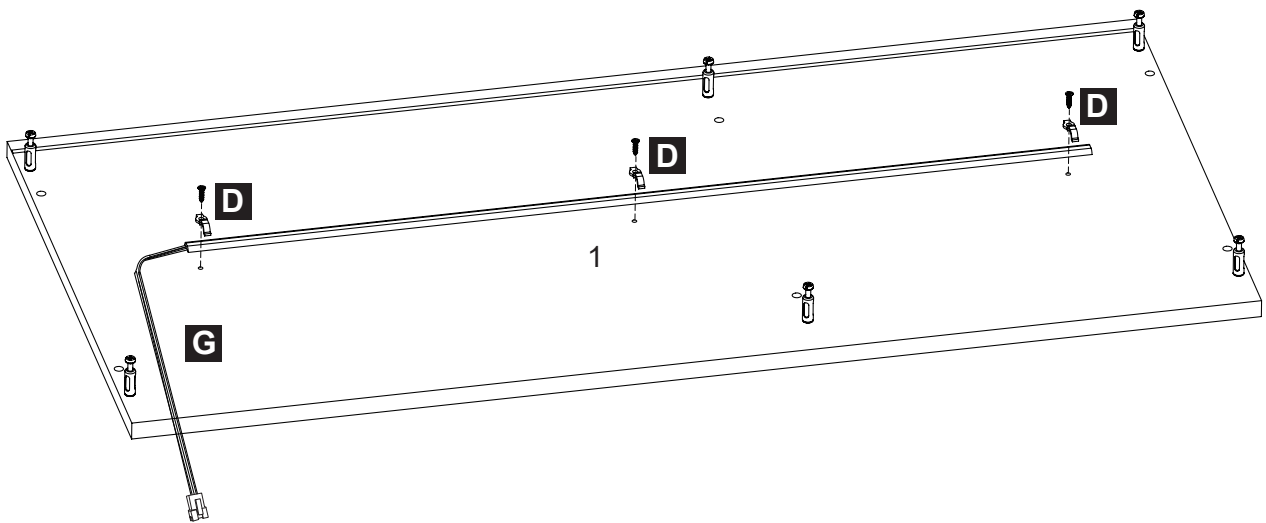


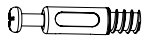
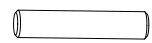
REMARK

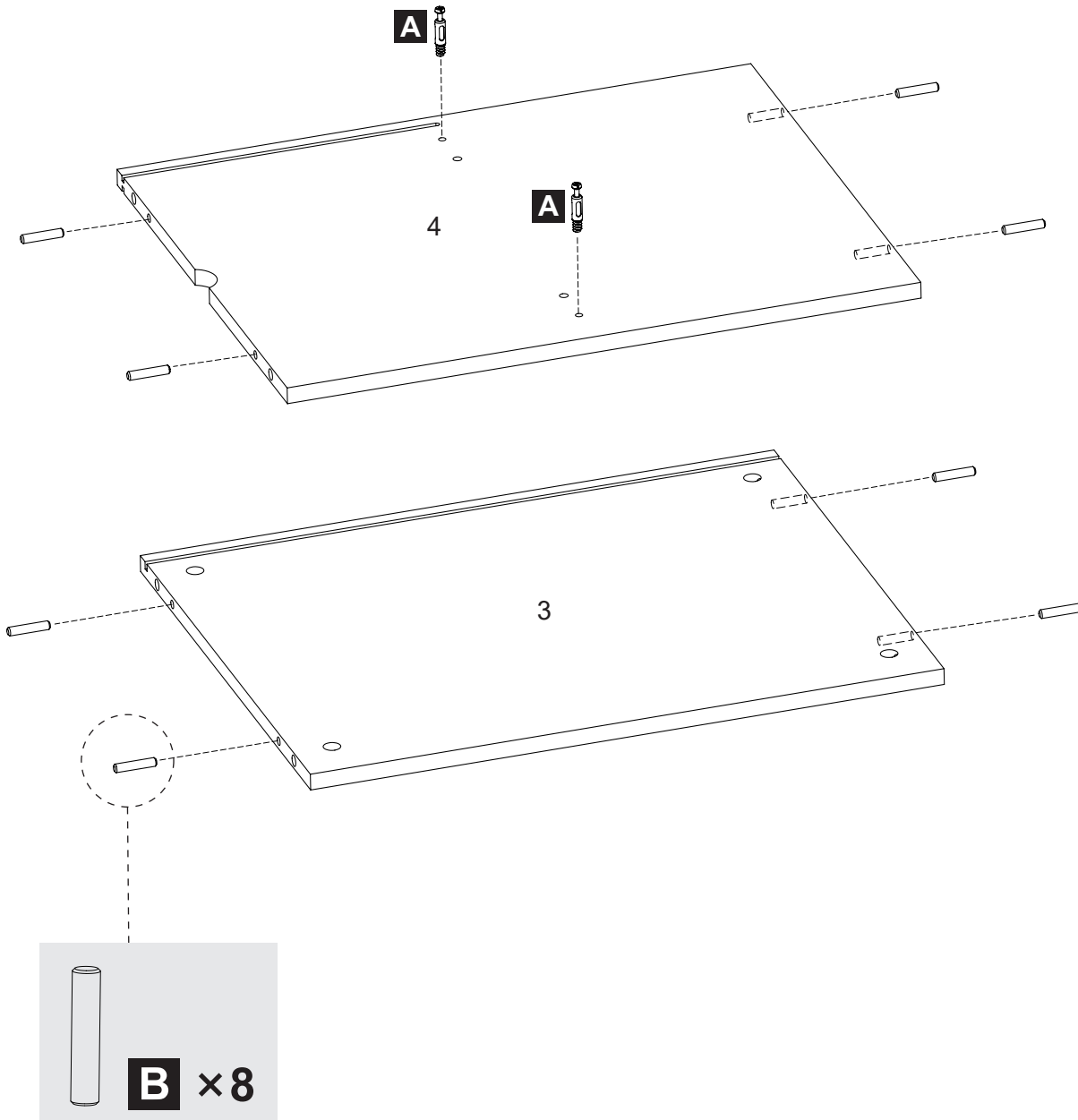
Peel off the fixing adhesive on the back of the part **G**.

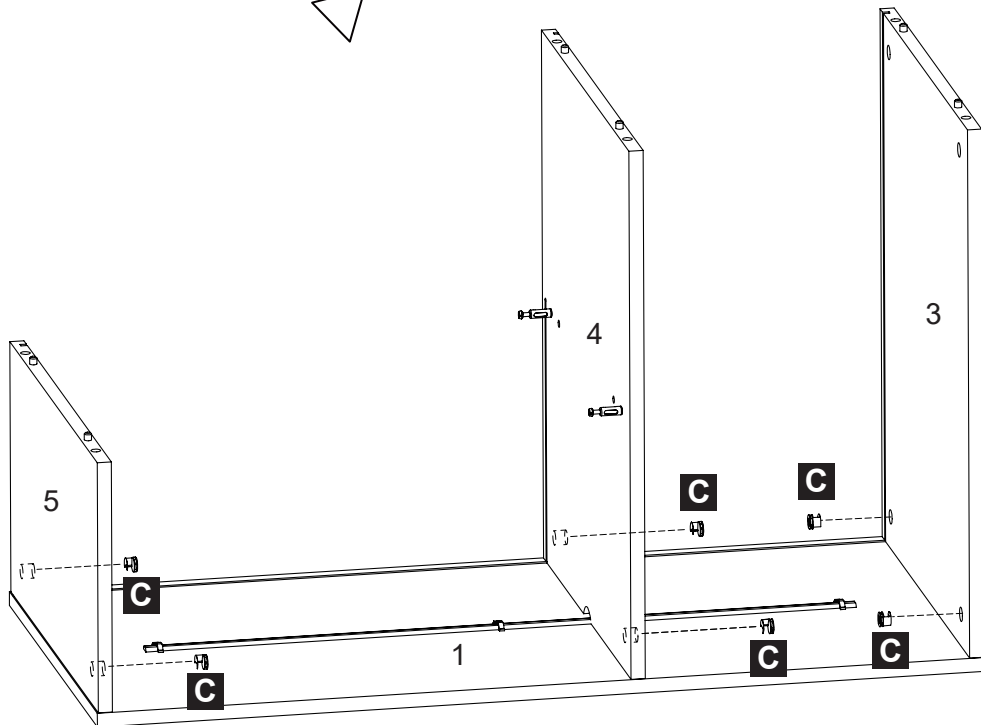
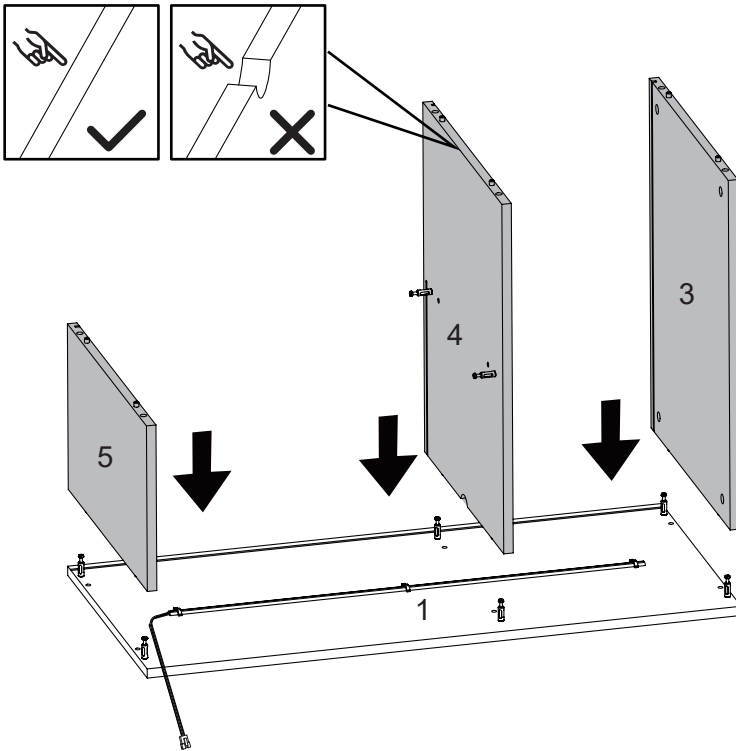
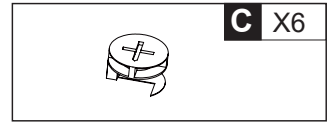


| CORRECT LOCATION | |
|--|---|
|  | ✓ |
| Right | |
|  | ✗ |
| Too far | |
|  | ✗ |
| Cover | |



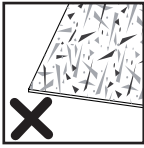
| | |
|---|-------------|
|  | A X2 |
|  | B X8 |



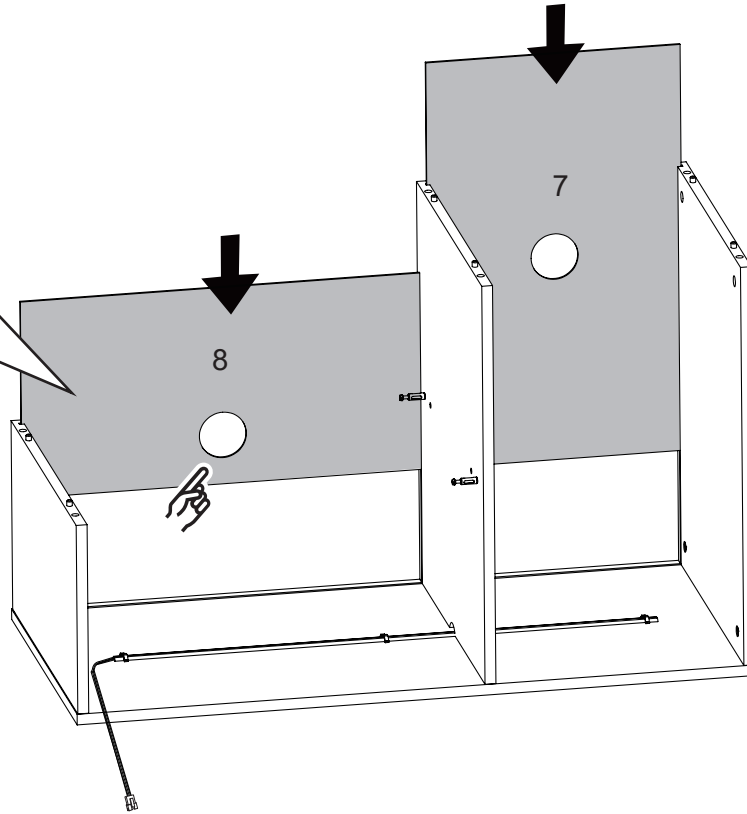
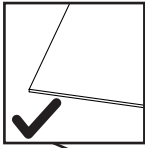


19

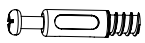
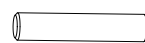
origin wood - colored

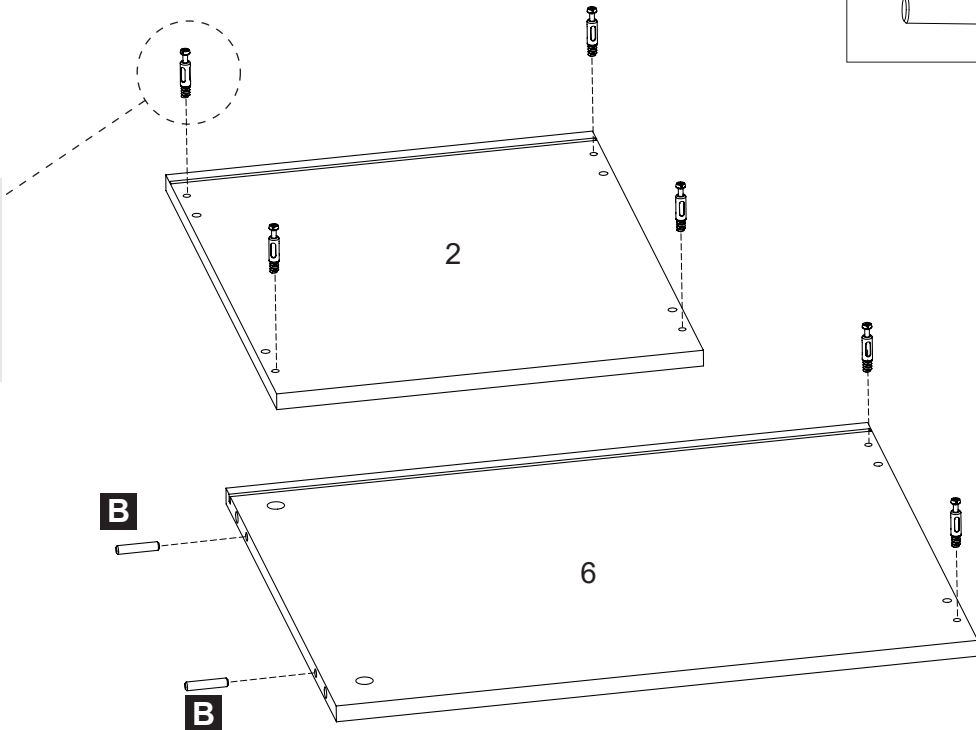
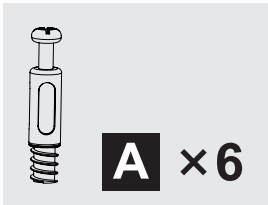


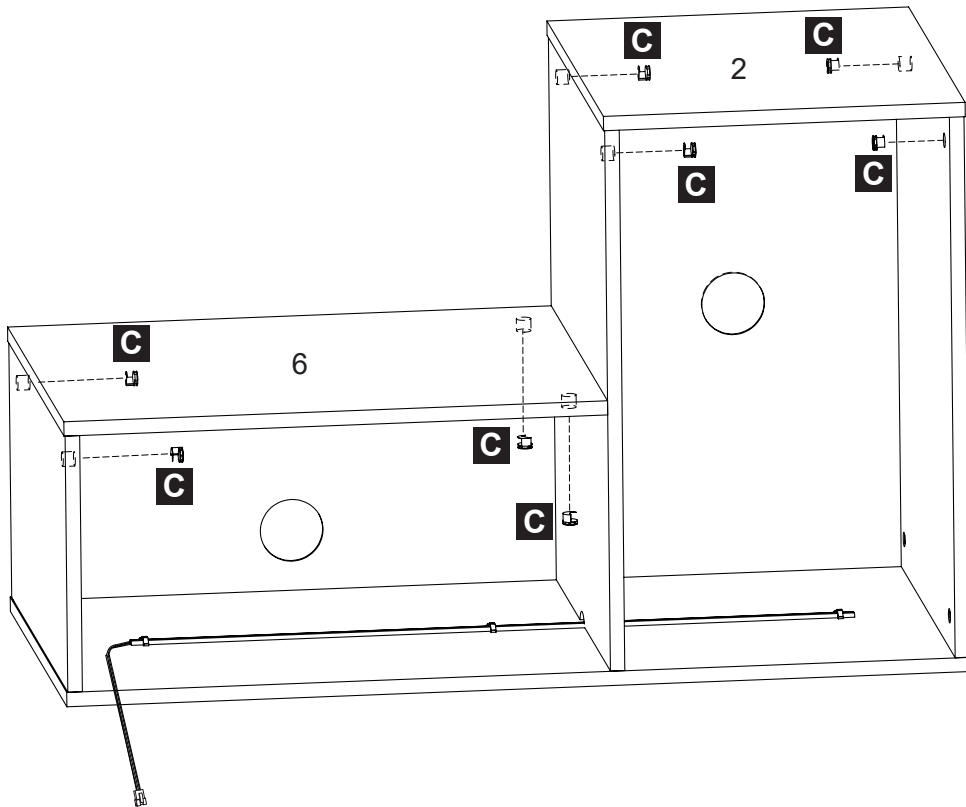
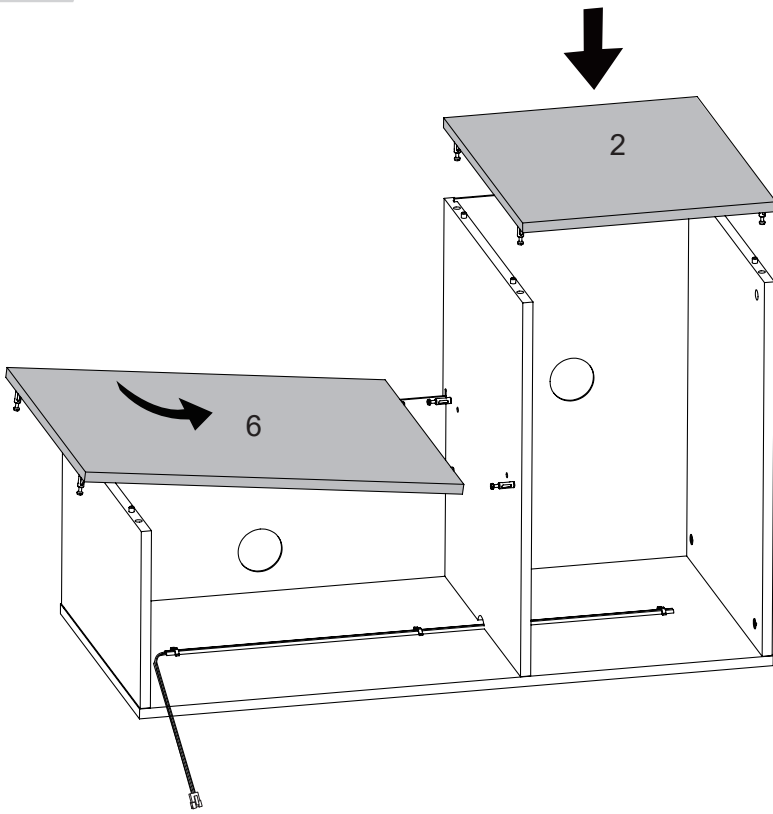
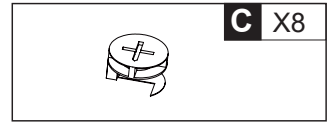
pure colored


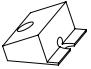


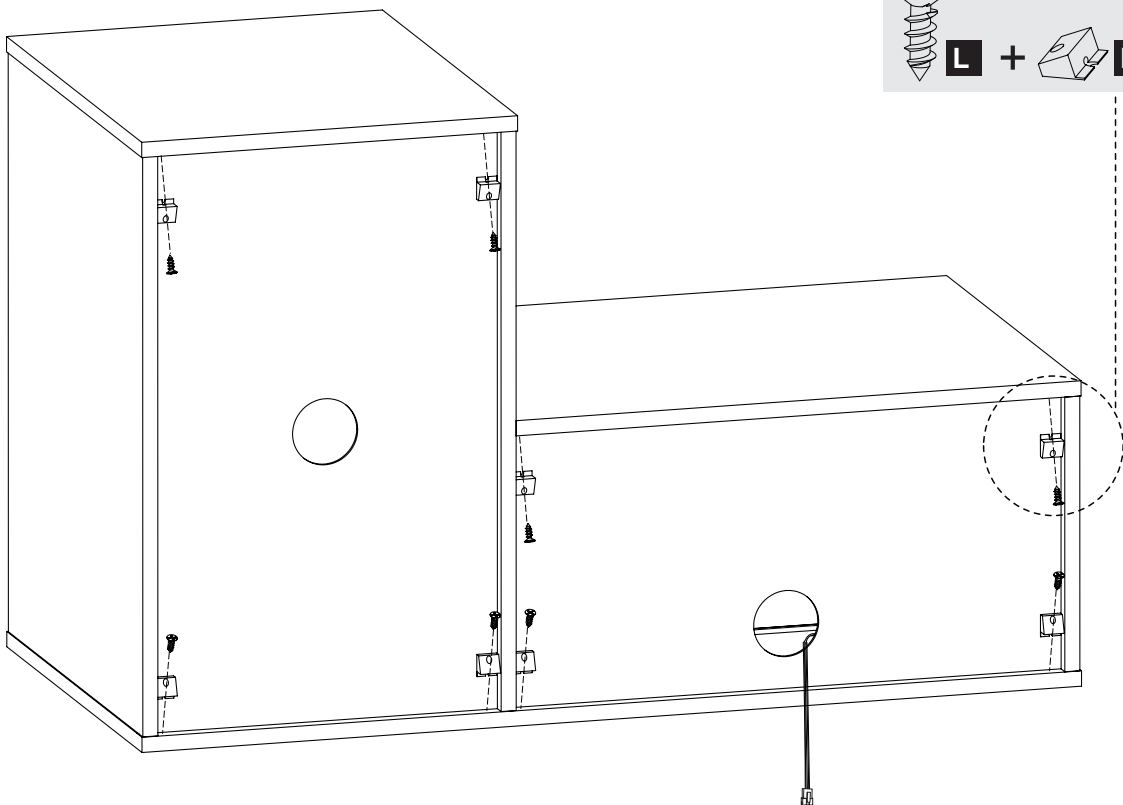
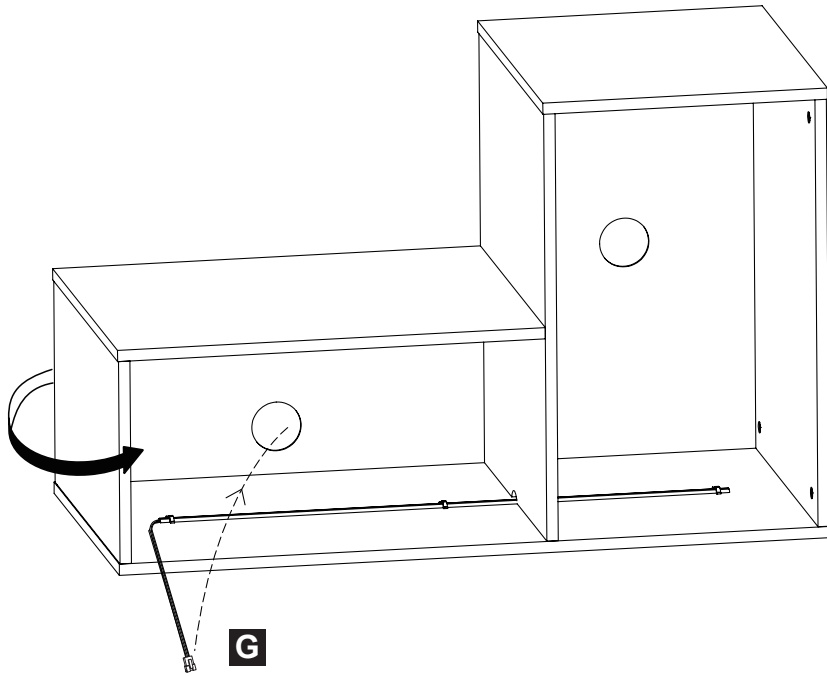
20



| | |
|---|-------------|
|  | A X6 |
|  | B X2 |



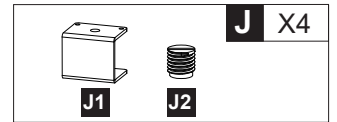


| | |
|---|----------------------|
|  | L X8 M4x14 |
|  | K X8 |

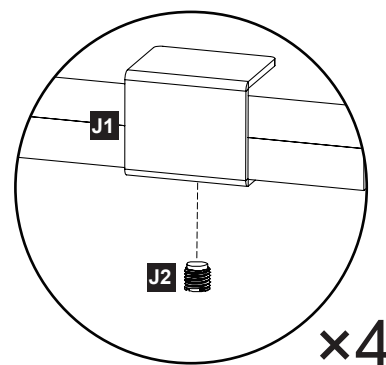
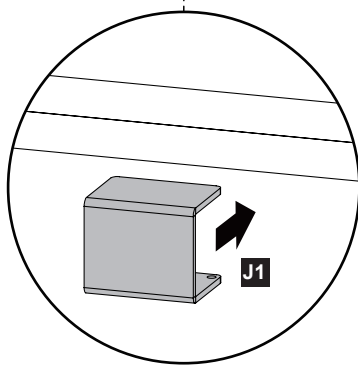
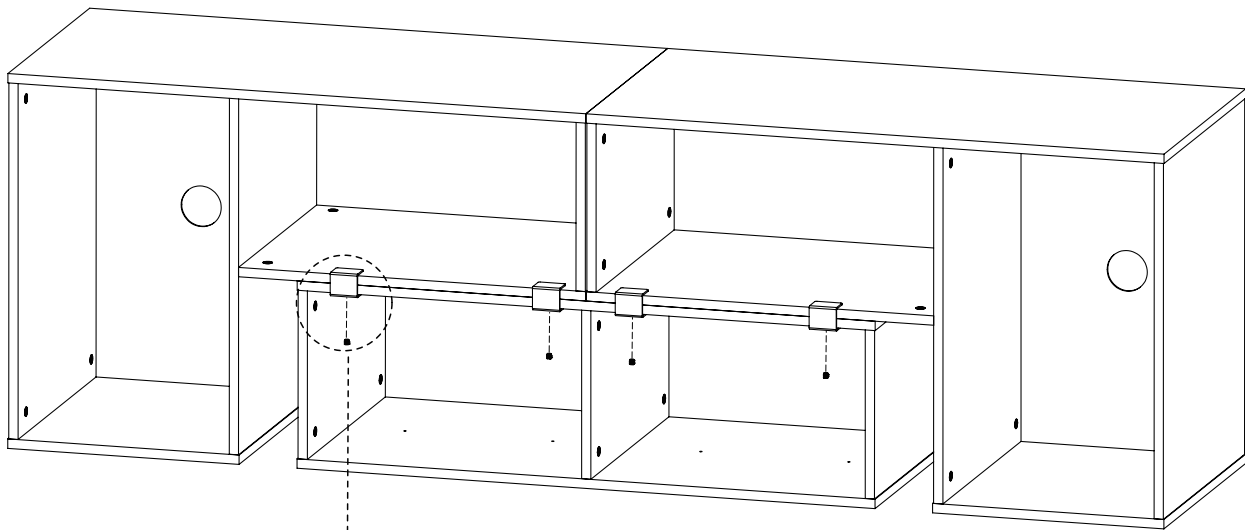


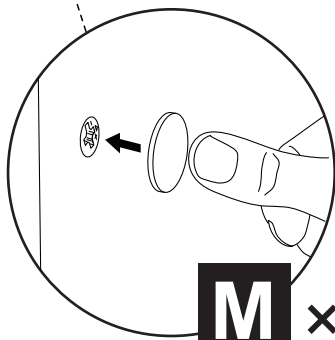
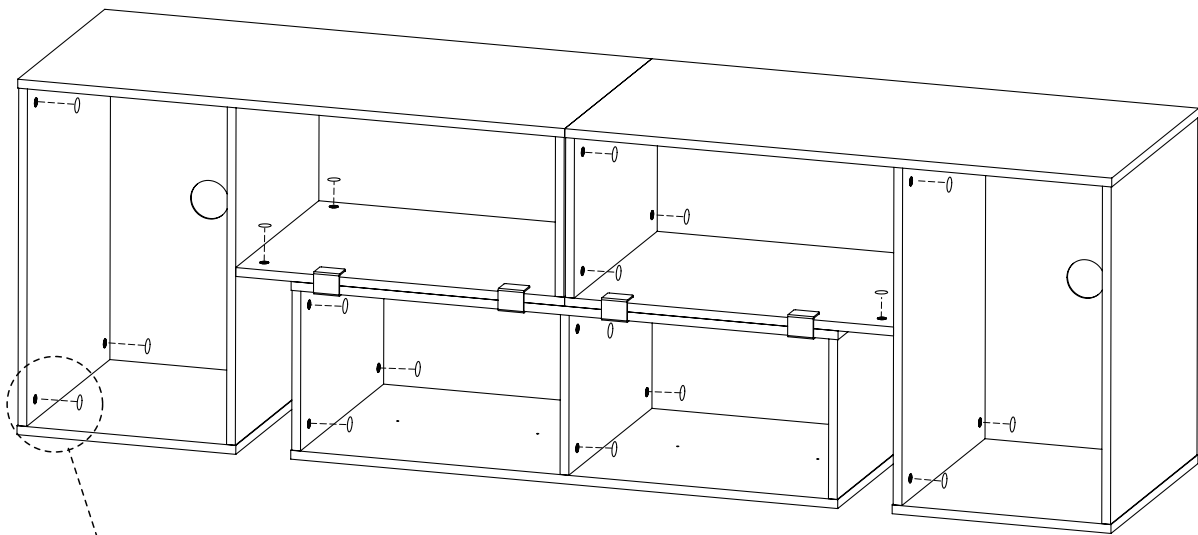
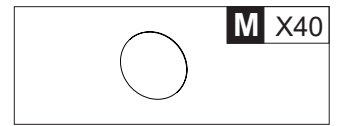
 **L** +  **K** x8

23

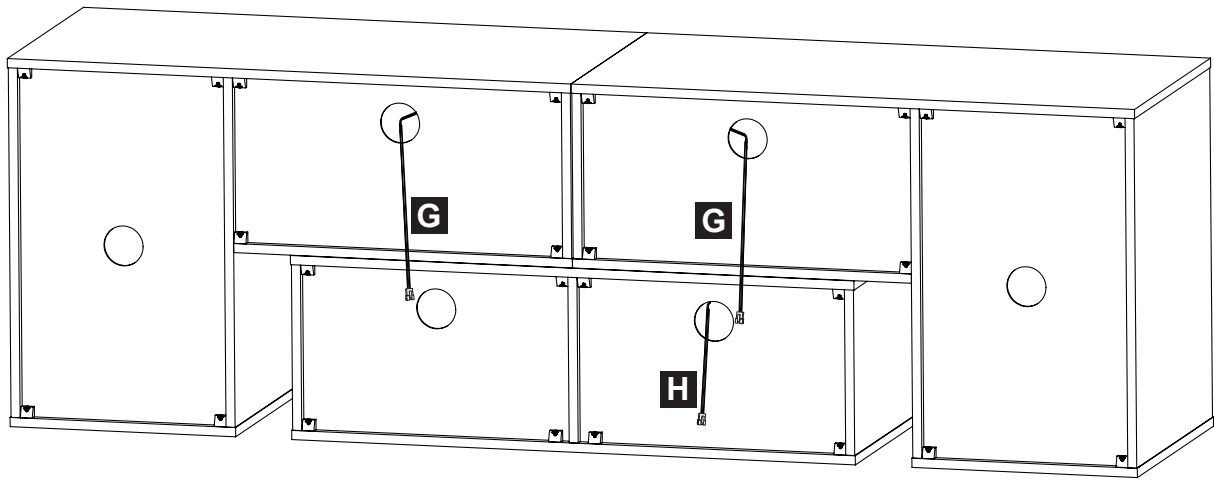
**REMARK**

According to your needs, part **J** is available for your selection.

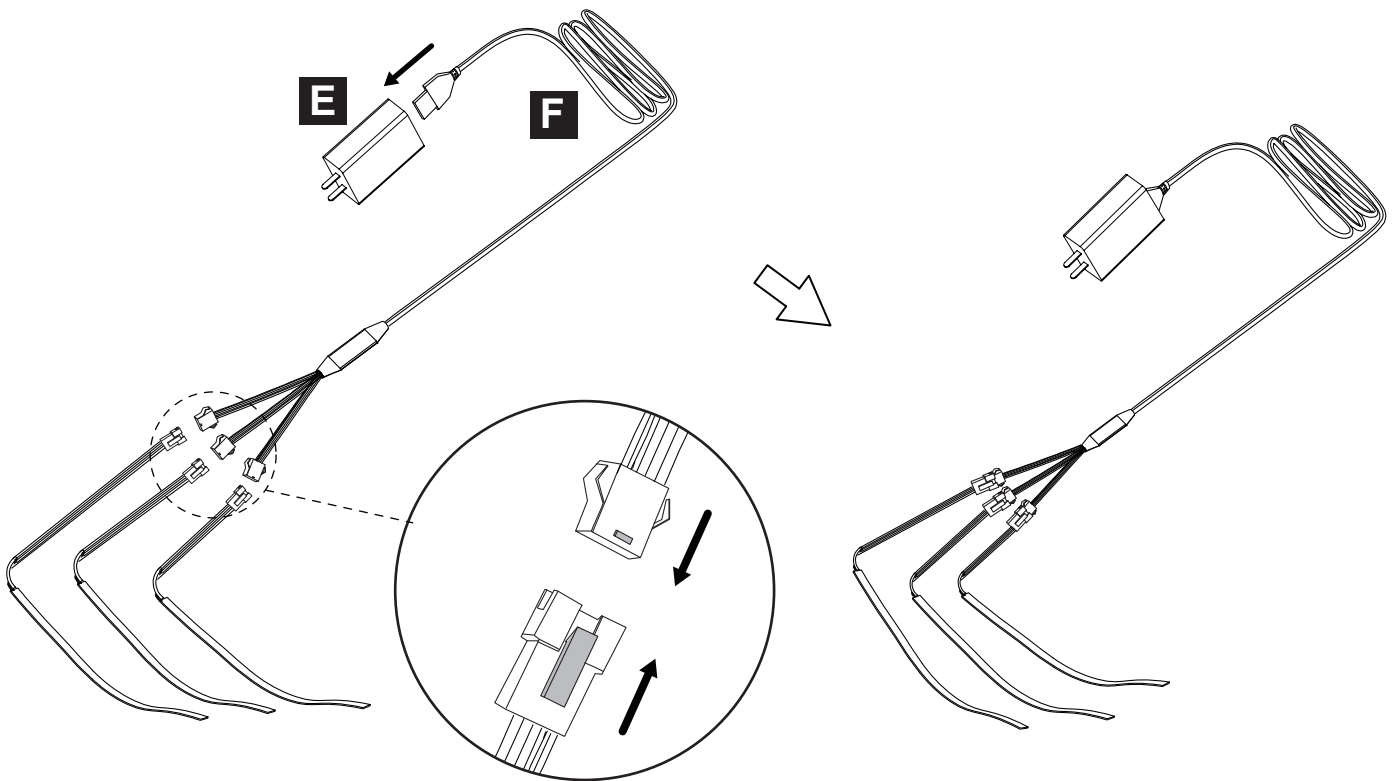




M x40

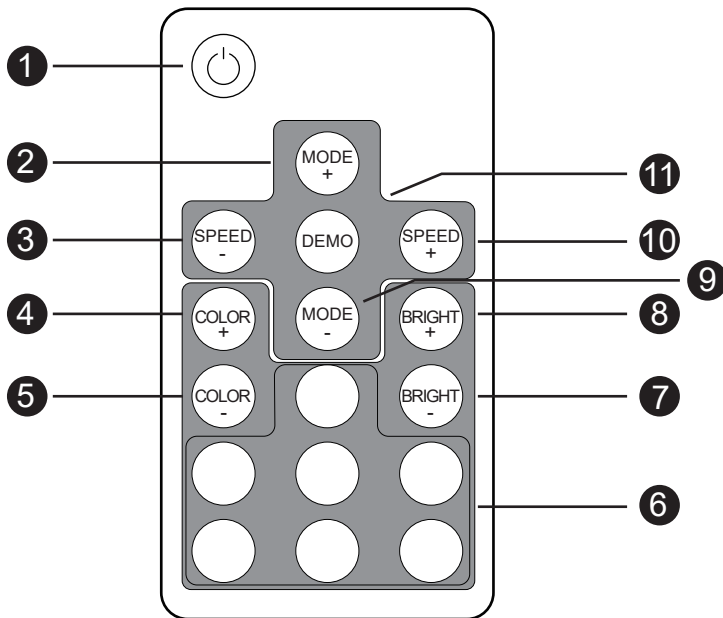


Wiring Instruction

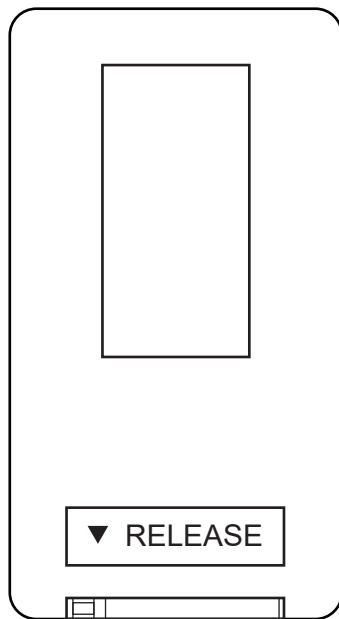


Remote Control Instruction

- 22 Dynamic Modes
- 20 Static Colors
- Easy Remote Pairing
- Very Smooth Effects
- Speed Adjustment
- Direct Color Select
- Brightness Adjustable
- Card Type RF Remote
- Ultra Slim Design
- Dynamic Demo Mode



- 1. Turn On/ Standby
- 2/9. Dynamic Mode Adjust
- 3/10. Dynamic Speed Adjust
- 4/5. Static Color Adjust
- 6. Direct Color Select
- 7/8. Brightness Adjust
- 11. Demo Mode



NOTE:

This remote control is not equipped with batteries

Please follow the picture to open the battery compartment and install the CR2025 battery

