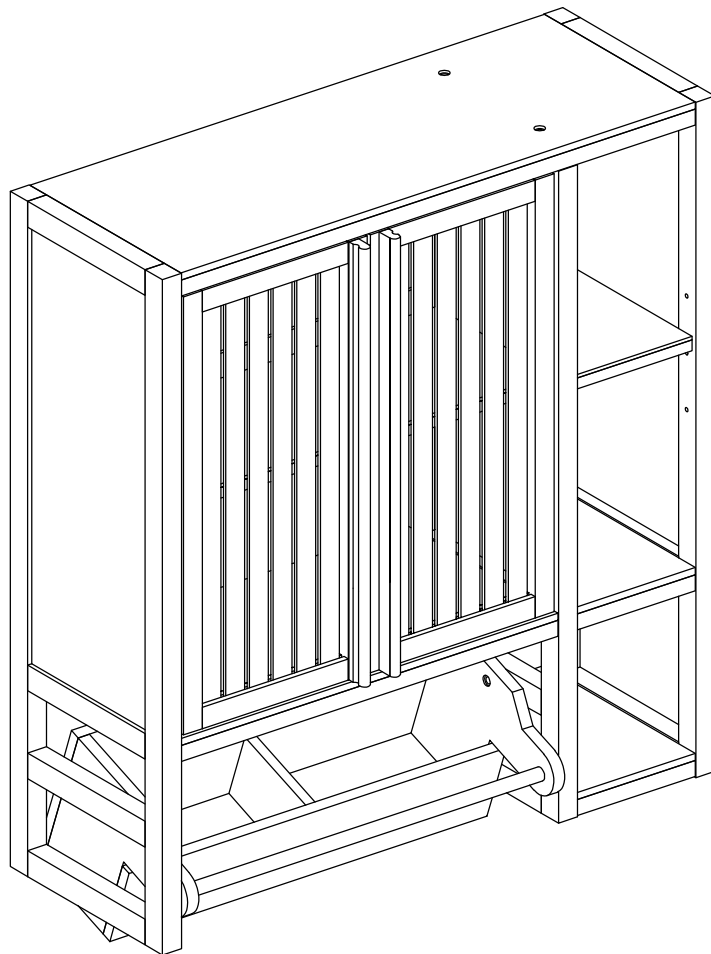


# BAMBOO WALL CABINET



W2207P272657

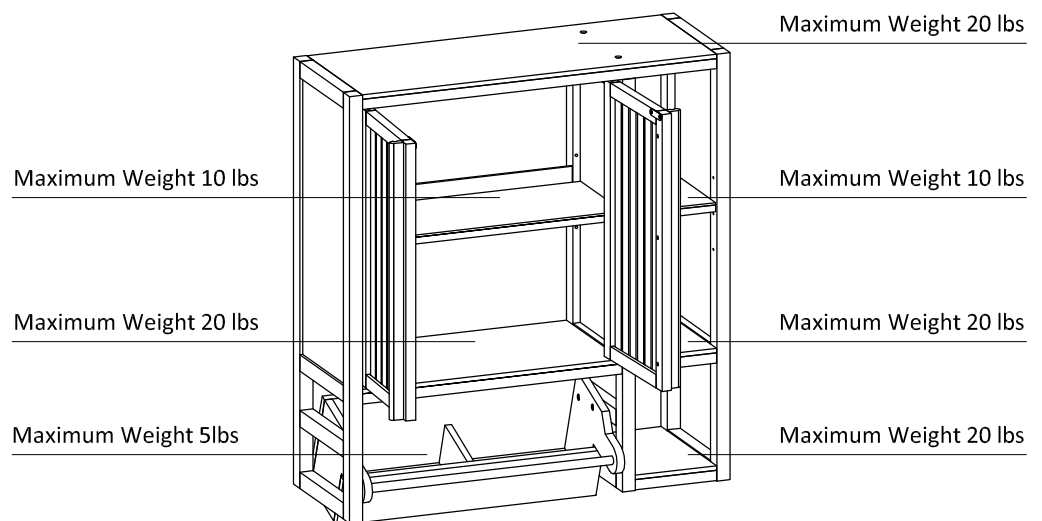
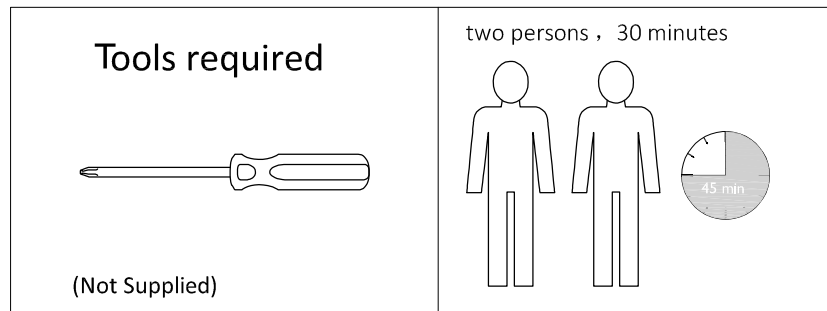
## Getting started

Thank you for purchasing **this product**. Read the instructions and warnings carefully before use, to ensure safe and satisfactory operation of this product.

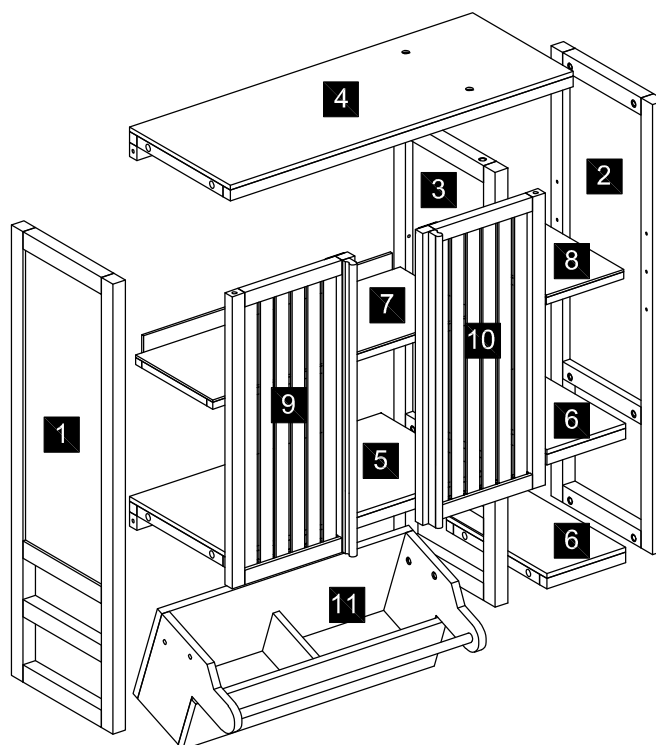


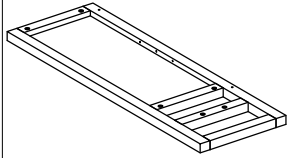
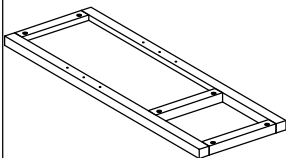
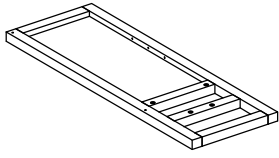
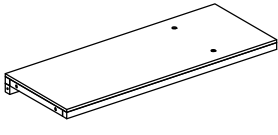
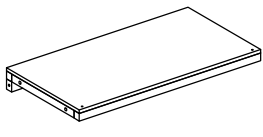
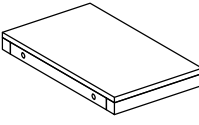
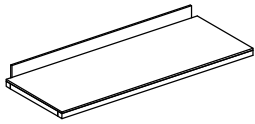
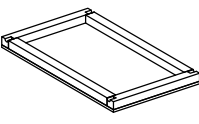
## WARNING

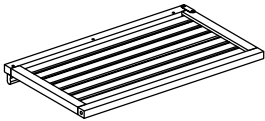
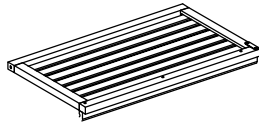
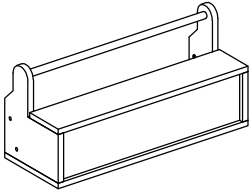
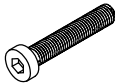
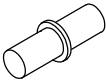

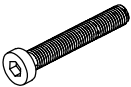
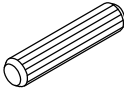

- Do not let any sharp objects touch or rub the surface of the product.
- When assembling, do not let children play around the working area.
- Please confirm all parts are correct before starting the assembly process.
- Do not tighten all bolts and screws completely until the entire unit has been assembled and set up.
- **DO NOT USE POWER TOOLS.**
- Power tools can over tighten screws and strip threads.
- For each screw:
  1. Tighten each screw until you meet resistance.
  2. Tighten one additional full rotation. **DO NOT OVER TIGHTEN.**



## Fittings and parts checklist



No.	Picture	Name	Qty	No.	Picture	Name	Qty
1		Left side frame	1	2		Right side frame	1
3		Divider	1	4		Top panel	1
5		Bottom panel	1	6		Fixed shelf	2
7		Adjustable shelf	1	8		Adjustable shelf	1

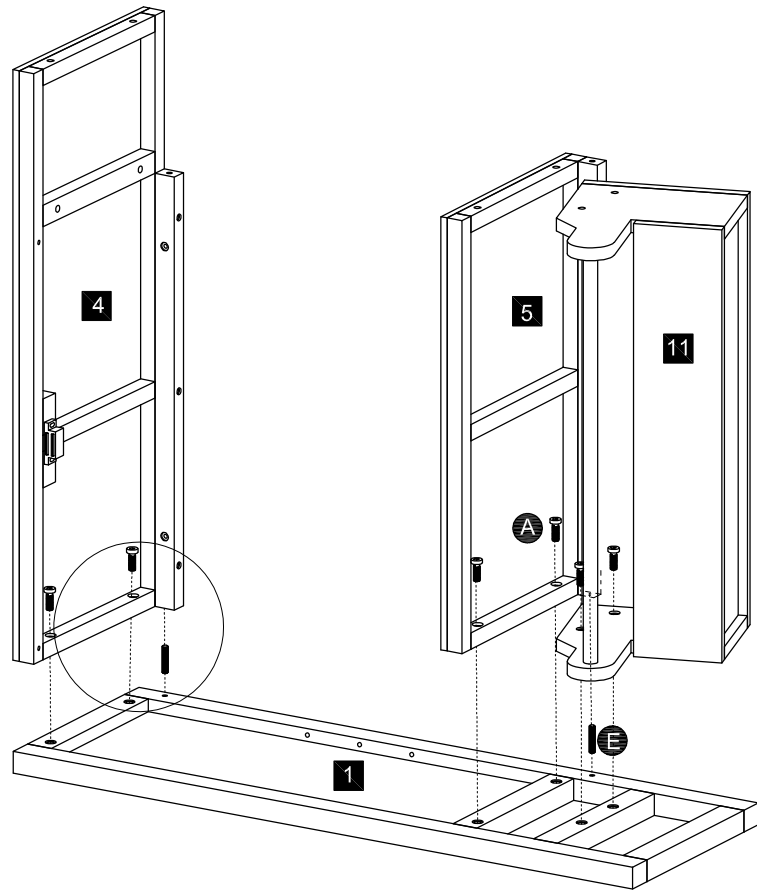
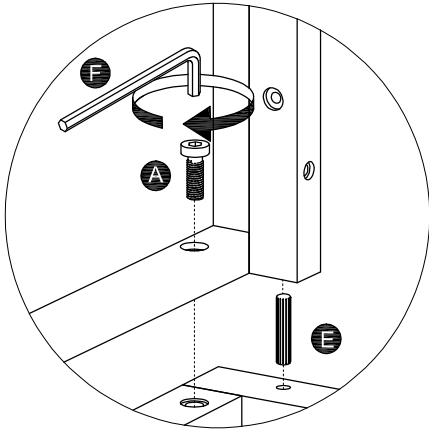
No.	Picture	Name	Qty	No.	Picture	Name	Qty
9		Left door	1	10		Right door	1
11		Tray	1	A		M6x25 Bolt	20
B		Shelf Support	8	C		Pin	5 (One spare)
D		M6x40 Bolt	2	E		Dowel	4
F		Allen key M4	1				

# Product assembly

## Step 1

Parts, fittings and tools

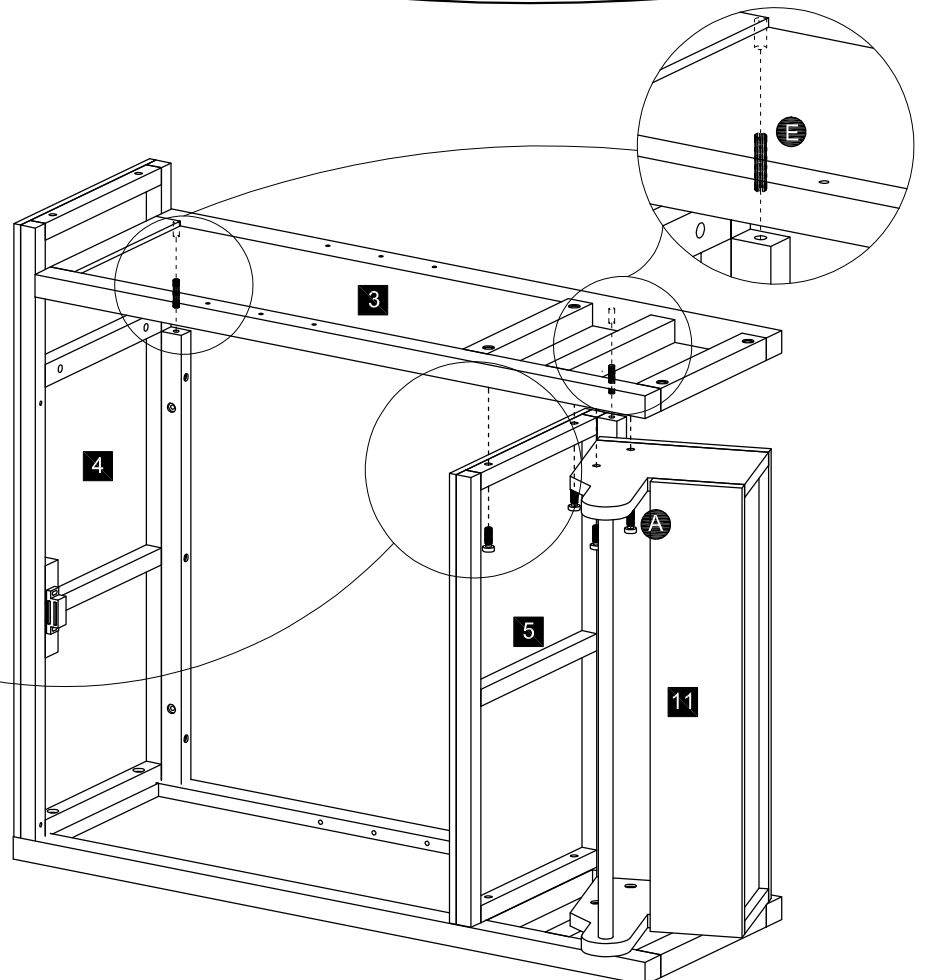
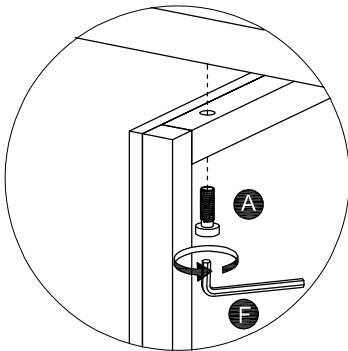
- 1 4 5 11
- A E F



## Step 2

Parts, fittings and tools

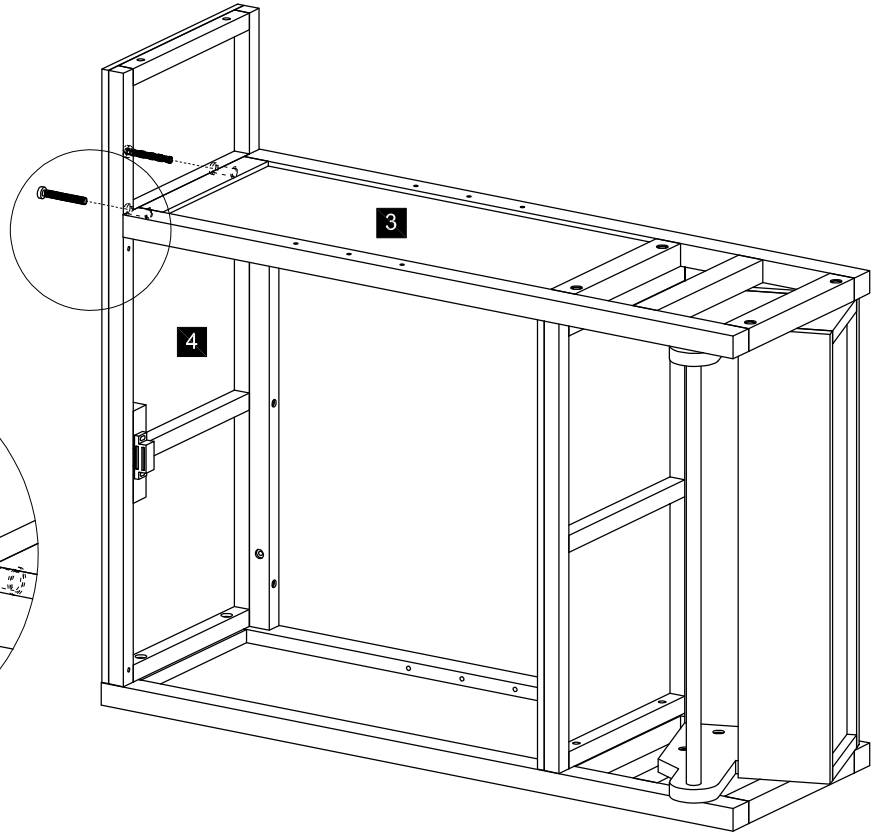
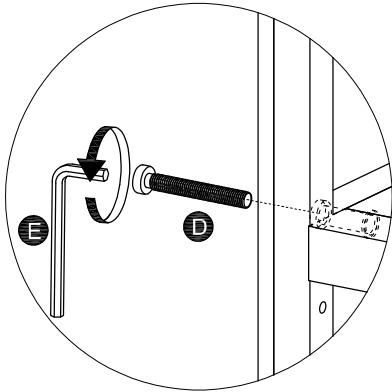
- 3 4 5 11
- A E F



## Step 3

Parts, fittings and tools

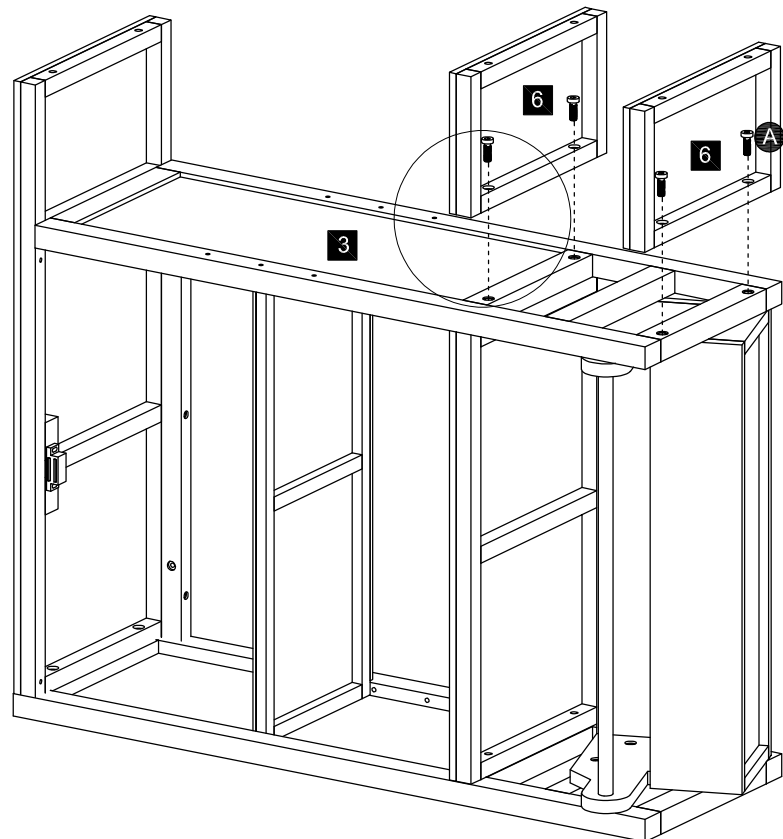
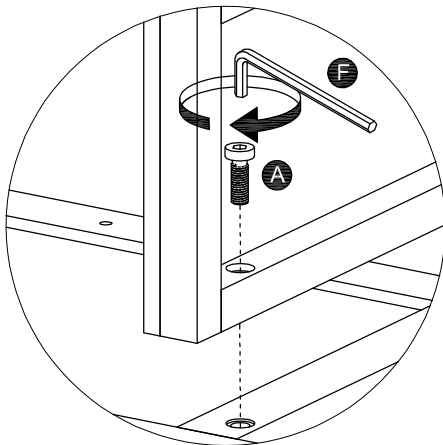
3 4 D E



## Step 4

Parts, fittings and tools

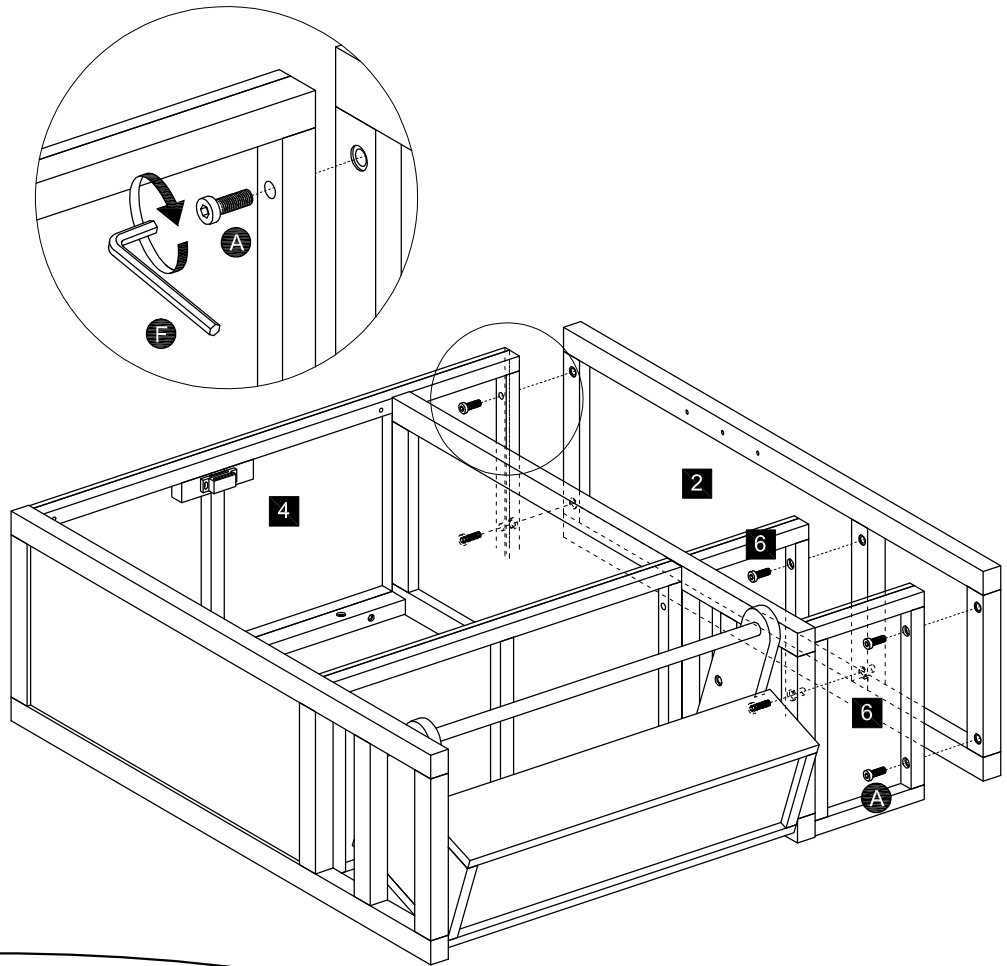
3 6 A F



## Step 5

Parts, fittings and tools

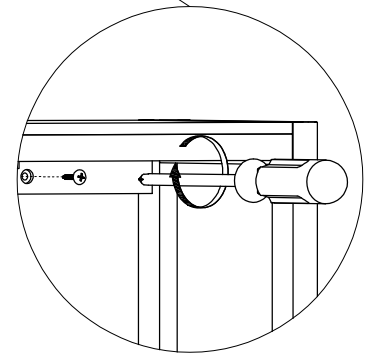
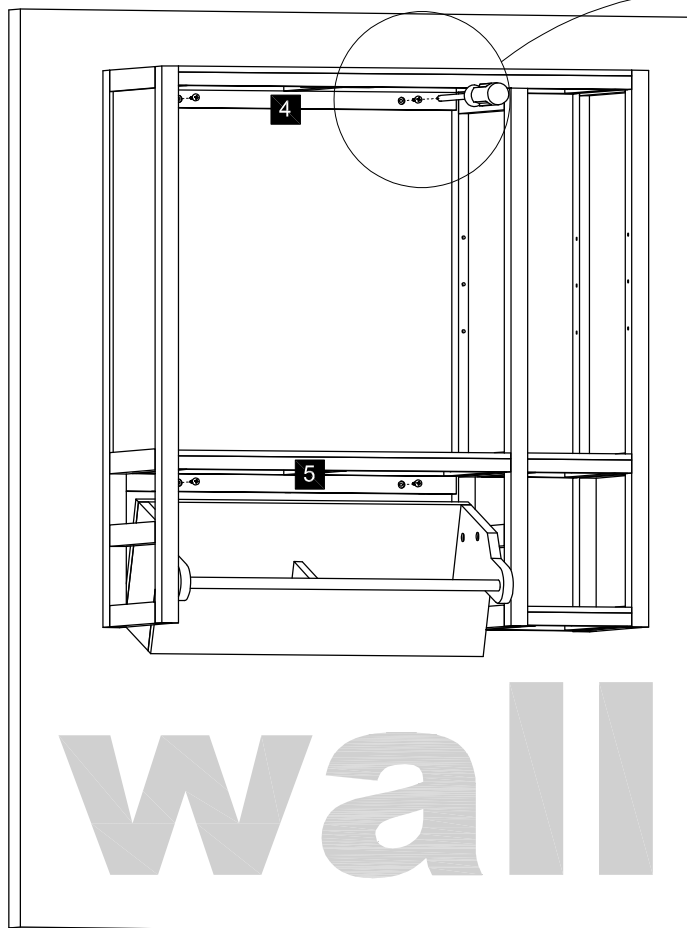
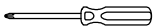
2 4 6 A F



## Step 6

Parts, fittings and tools

4 5



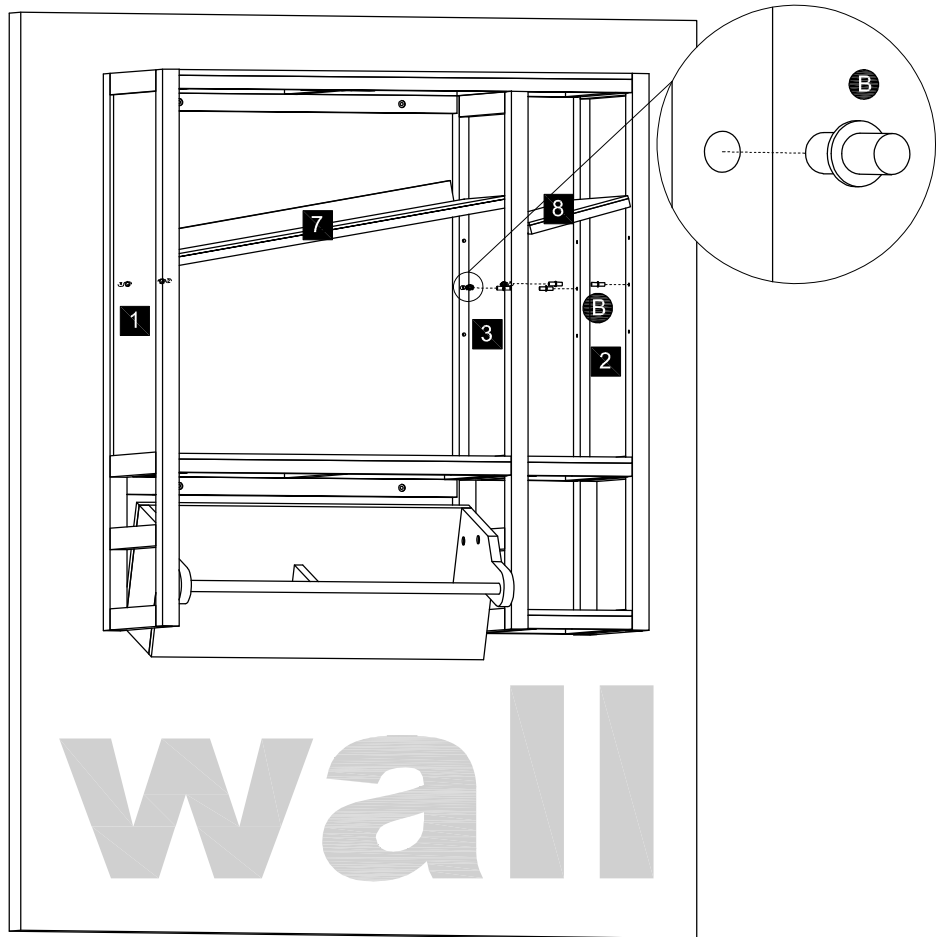
### PLEASE NOTE:

For your safety, to prevent the danger of this unit tipping over, it is important to choose a right anchor suitable for your wall and attach it properly.

## Step 7

Parts, fittings and tools

1 2 3 7 8 B

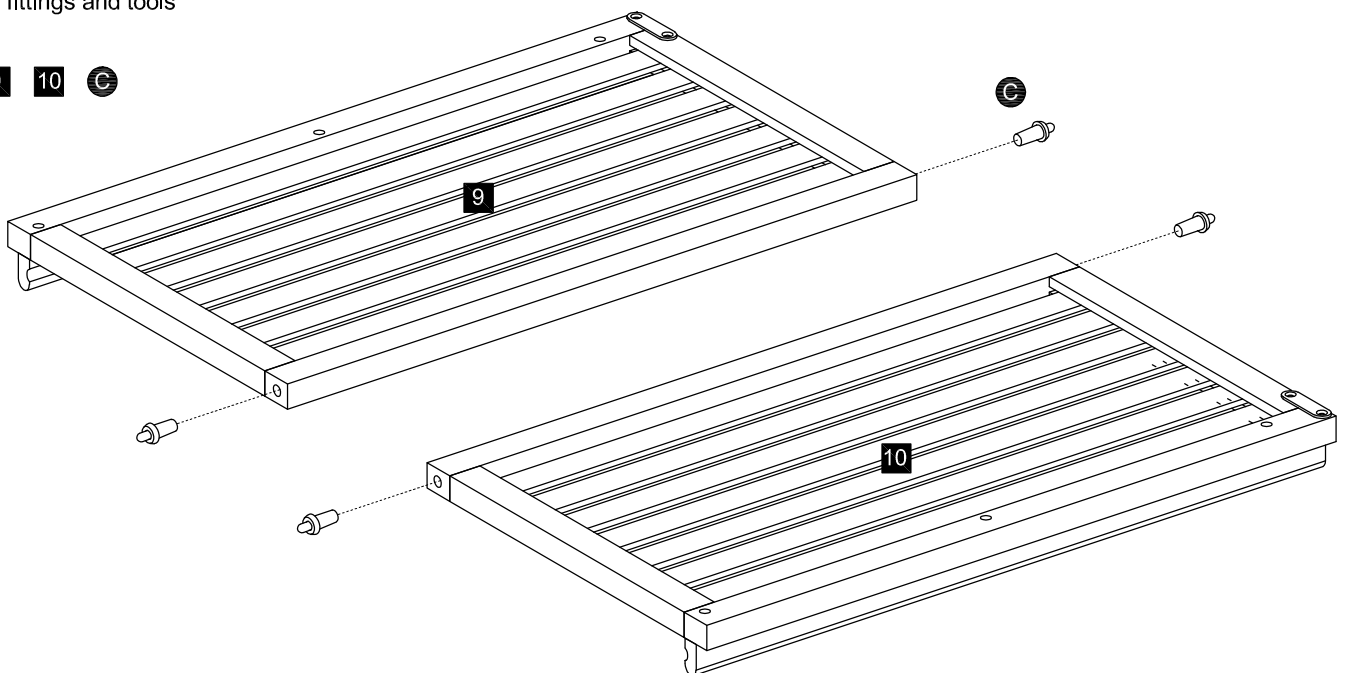


wall

## Step 8

Parts, fittings and tools

9 10 C



# Step 9

Parts, fittings and tools

4 5 9 10

