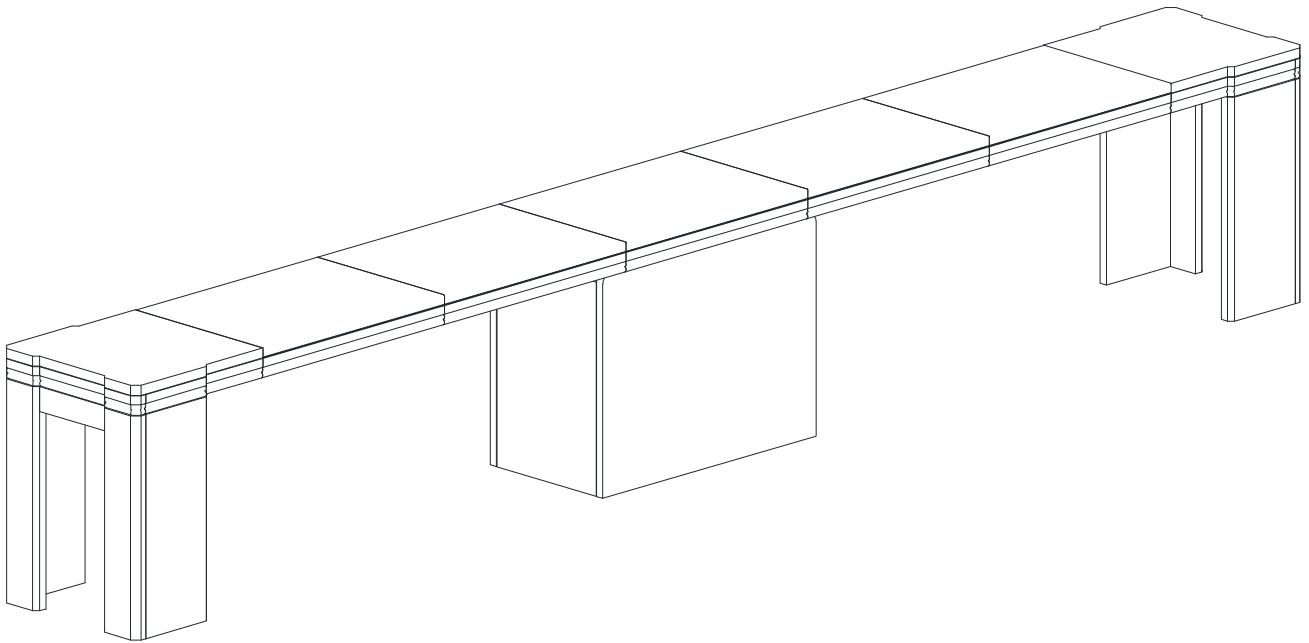


ASSEMBLY INSTRUCTIONS



Description : WOODEN BENCH
Product Dimension : W130.5/29"x D15"x H18"
Cube Size : 32"x18"x 21"

NW: 122.1 LBS
GW: 128.7 LBS

WOODEN BENCH

BEFORE ASSEMBLY

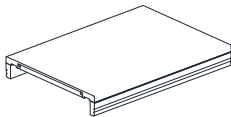
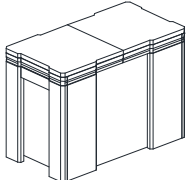
Thank you for purchasing this quality product. This product has been designed for easy assembly and constructed for durability. Please take the time to read and follow the assembly instructions carefully.

Be sure to check all packing material carefully for small parts which may have come loose inside the carton during shipment. Please separate, identify, and count all parts and metal hardware. Compare with part list to be sure all parts are present. If hardware is missing or you have difficulty assembling this product, please call for us.

IMPORTANT NOTE:

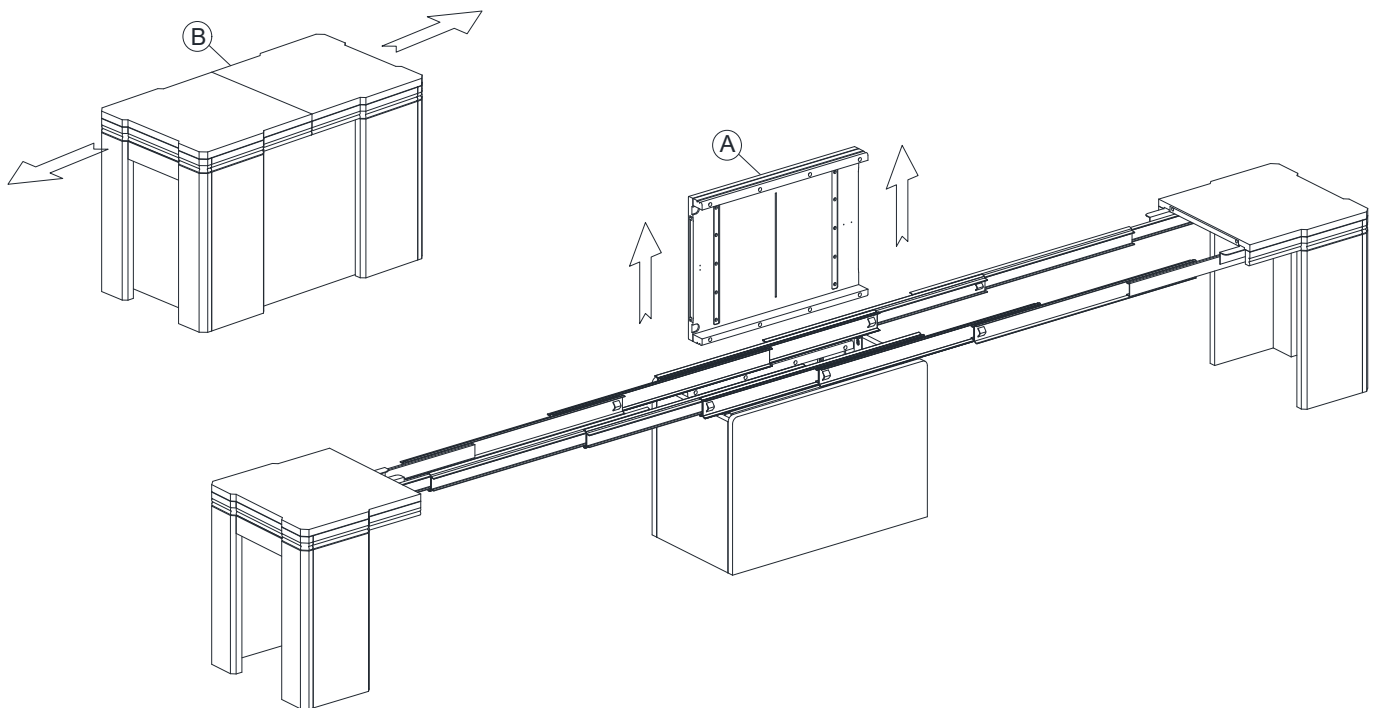
- Place all wooden parts on a clean and smooth surface such as a rug or carpet to avoid the parts from being scratched.
- Remove all wrapping material, including staples & packing straps before you start to assemble.
- DO NOT tighten all screws and bolts until completely assembled.
- Keep all hardware parts out of reach of children.

When unpacking, please be careful not to discard any parts with the packaging. Before continuing, please make sure you have the following parts:

| NO | Description | Qty | Sketch | NO | Description | Qty | Sketch |
|----|------------------|-----|---|----|-------------|-----|---|
| A | Bench top panels | 5 |  | B | Leg | 1 |  |

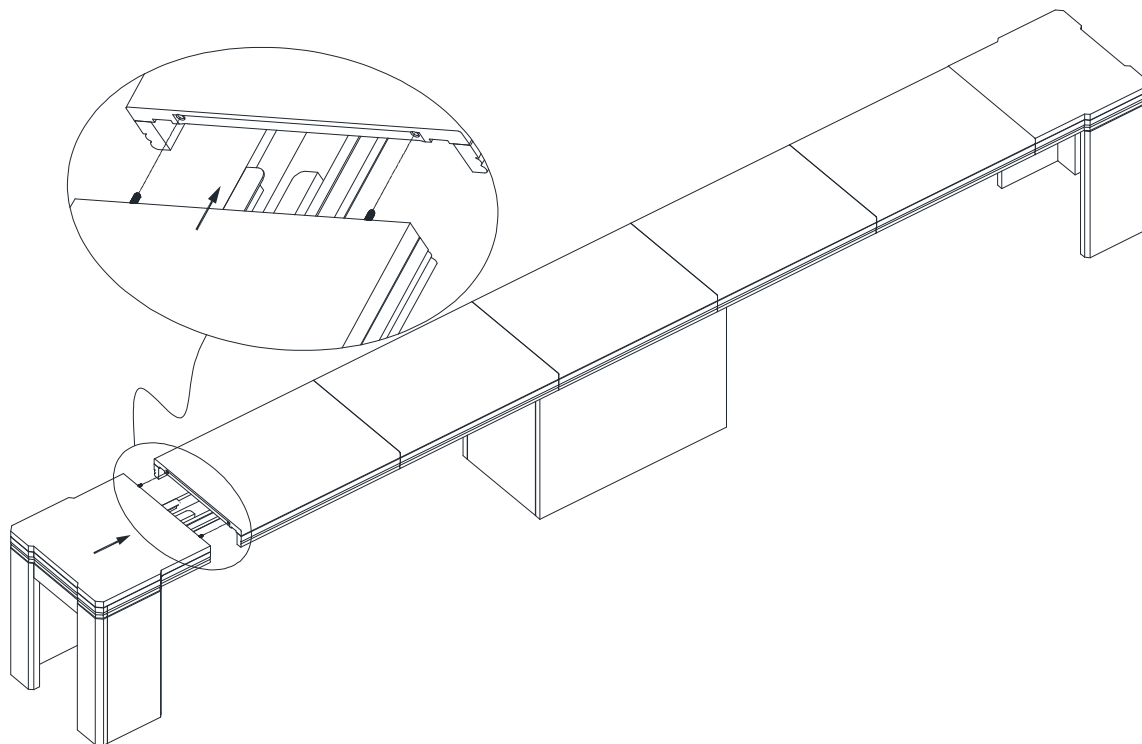
STEP 1

Pull 2 sides of the bench apart. Remove the bench top panels from the seat bin.



STEP 2

Put the bench top panels on the sliders, aligning the dowel pins with the holes on adjacent panels.



STEP 3

Push 2 sides of the bench inward to close the gap between panels. Secure the panels by locking 6 latches underneath the bench.

