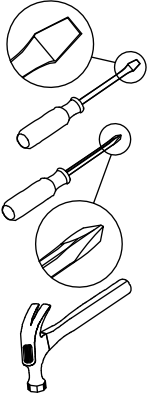


INSTRUCTION MANUAL

Before You Start



- ✓ Read through each step carefully and follow the proper order
- ✓ Separate and count all your parts and hardware
- ✓ Give yourself enough room for the assembly process
- ✓ Have the following tools: Flat Head Screwdriver, #2 Phillips Head Screwdriver and Hammer
- ✓ Caution: If using a power drill or power screwdriver for screwing, Please slow down or stop when the screw is tightened. Otherwise it may cause the screws to peel off.

Helpful Hints

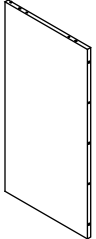
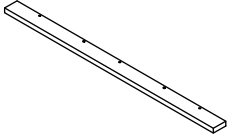

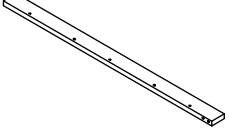
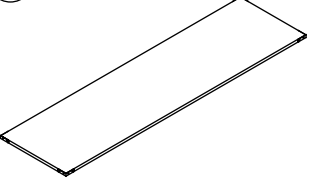
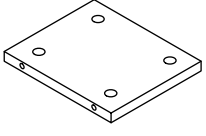
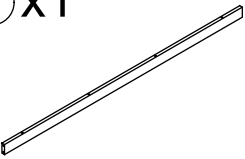
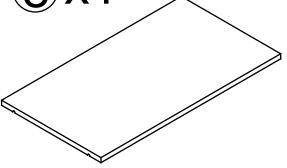
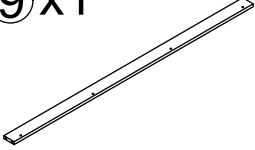
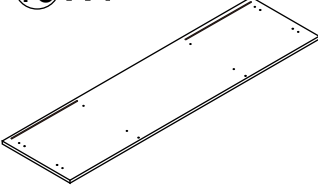

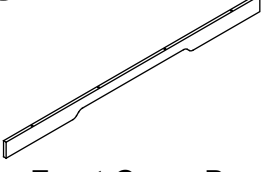
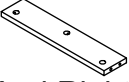
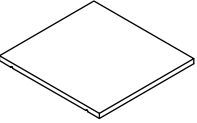
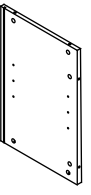
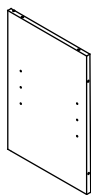
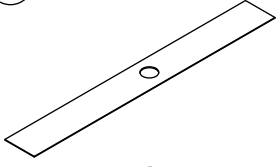
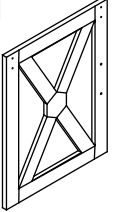
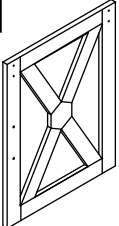
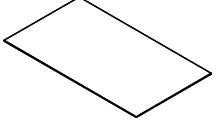
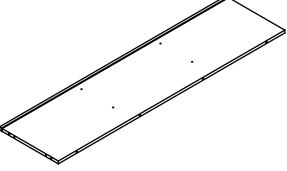


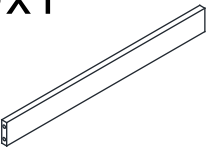
PEOPLE NEEDED FOR ASSEMBLY: 1-2

- Open your item in the area you plan to keep it to avoid excessive heavy lifting.
- Identify, sort and count the parts before attempting to assembly.
- Compression dowels are lightly tapped in with a hammer.
- Slides are labeled with an **R** (right) and **L** (left) for proper placement.
- Make sure to always face the point on the top of the Cam Lock towards the outer edge.
- Use all the nails provided for the back panel and spread them out equally.
- Back panel must be used to make sure your unit is sturdy.
- Do NOT use harsh chemicals or abrasive cleaners on this item.
- Never push, pull, or drag your furniture.



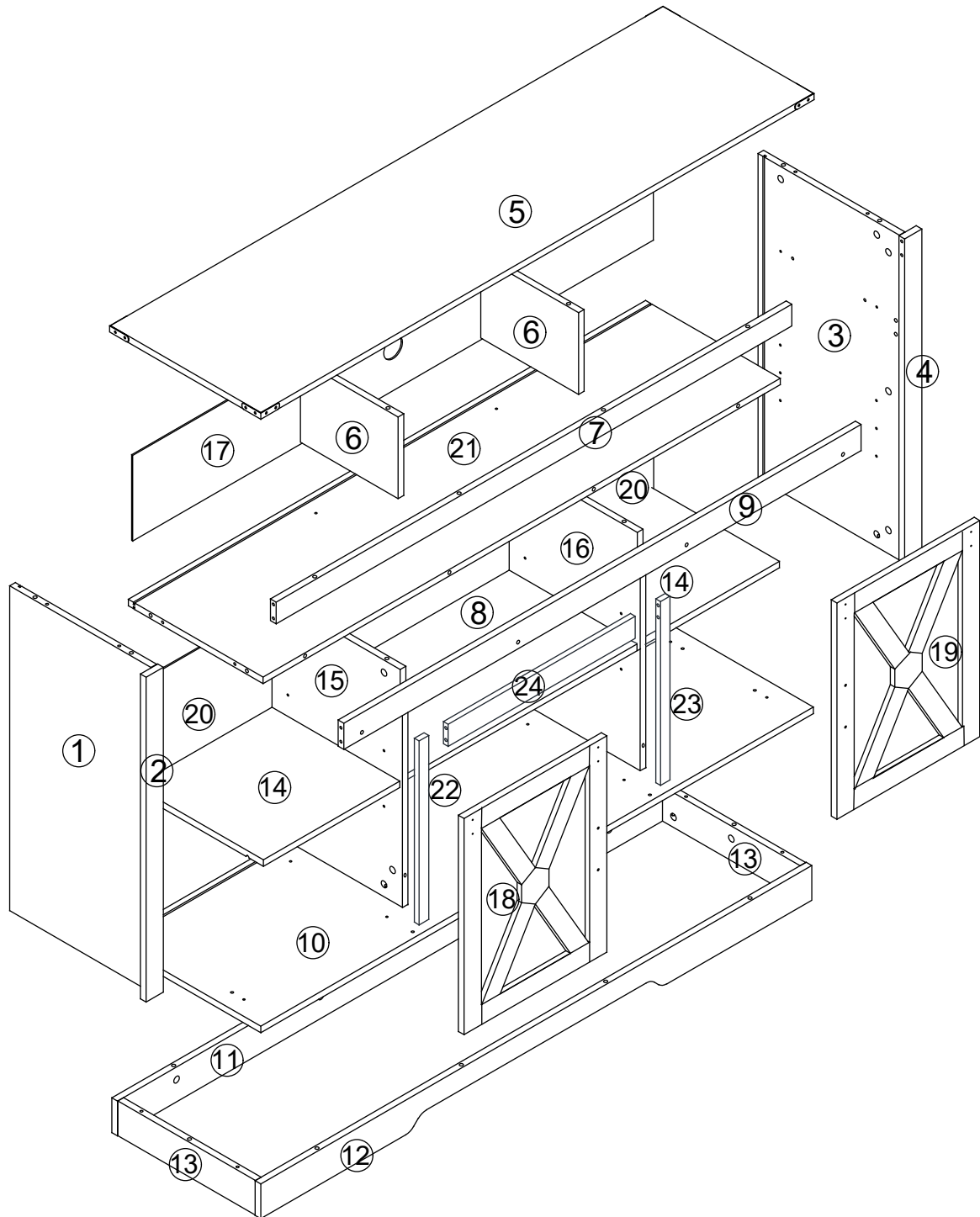
Board Identification

Not actual size

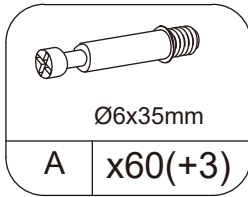
<p>① x1</p>  <p>Left Side Plate</p>	<p>② x1</p>  <p>Front Vertical Bar Of Left Side Panel</p>	<p>③ x1</p>  <p>Right Side Plate</p>	<p>④ x1</p>  <p>Front Stile Of Right Side Plate</p>
<p>⑤ x1</p>  <p>Roof Plate</p>	<p>⑥ x2</p>  <p>Upper Support Plate</p>	<p>⑦ x1</p>  <p>Front Cross Bar Under Panel</p>	<p>⑧ x1</p>  <p>In The Middle Active Lamination</p>
<p>⑨ x1</p>  <p>Fixed Slide Plate</p>	<p>⑩ x1</p>  <p>Bottom Plate</p>	<p>⑪ x1</p>  <p>Rear Cross Bar Under Base Plate</p>	<p>⑫ x1</p>  <p>Front Cross Bar Under Base Plate</p>
<p>⑬ x2</p>  <p>Left And Right Vertical Bars Under Bottom Plate</p>	<p>⑭ x2</p>  <p>Left And Right Active Laminates</p>	<p>⑮ x1</p>  <p>Neutral Grille On The Left</p>	<p>⑯ x1</p>  <p>Neutral Grille On The Right</p>
<p>⑰ x1</p>  <p>Upper Cabinet Back Panel</p>	<p>⑱ x1</p>  <p>Left Door Frame</p>	<p>⑲ x1</p>  <p>Right Door Frame</p>	<p>⑳ x2</p>  <p>Left And Right Back Plates</p>
<p>㉑ x1</p>  <p>Upper Fixing Plate</p>	<p>㉒ x1</p>  <p>Left Front Vertical Plate</p>	<p>㉓ x1</p>  <p>Right Front Vertical Plate</p>	<p>㉔ x1</p>  <p>Upper Front Transverse Plate</p>

Board Identification

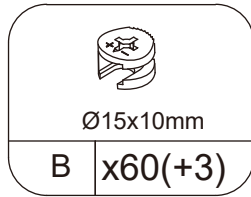
Not actual size



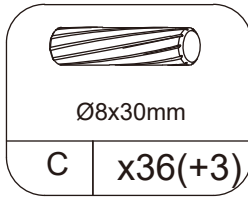
Part List



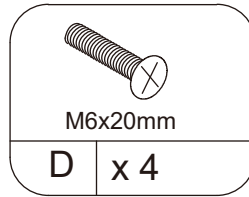
Cam Bolt



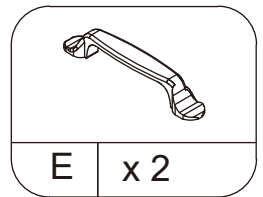
Cam Lock



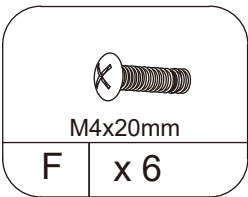
Dowel



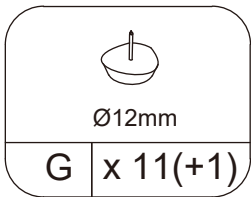
Hexagon Socket Bolt



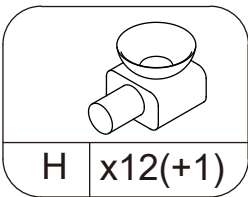
Hold Hands



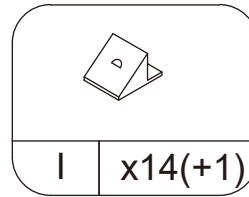
Handle Bolt



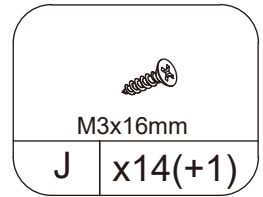
Foot Nail



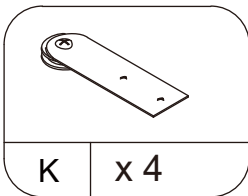
Removable Plate Holder



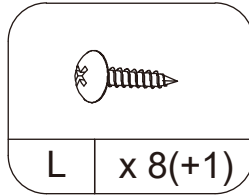
Back Buckle



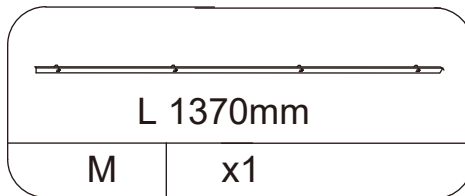
Back Buckle Screw



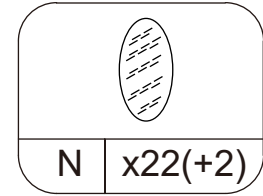
Door Pulley



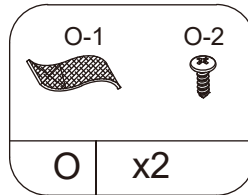
Large Flat Head Screw



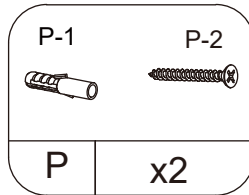
The Iron Bars Of a Door Pulley



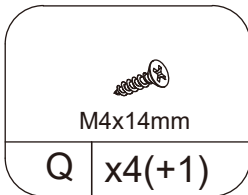
Sticker



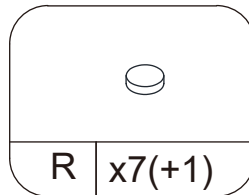
Anti-Fall Strip Large Flat Head Screw



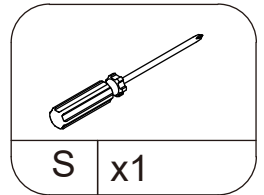
Plastic Expansion Screw Self-Tapping Screw



Screw



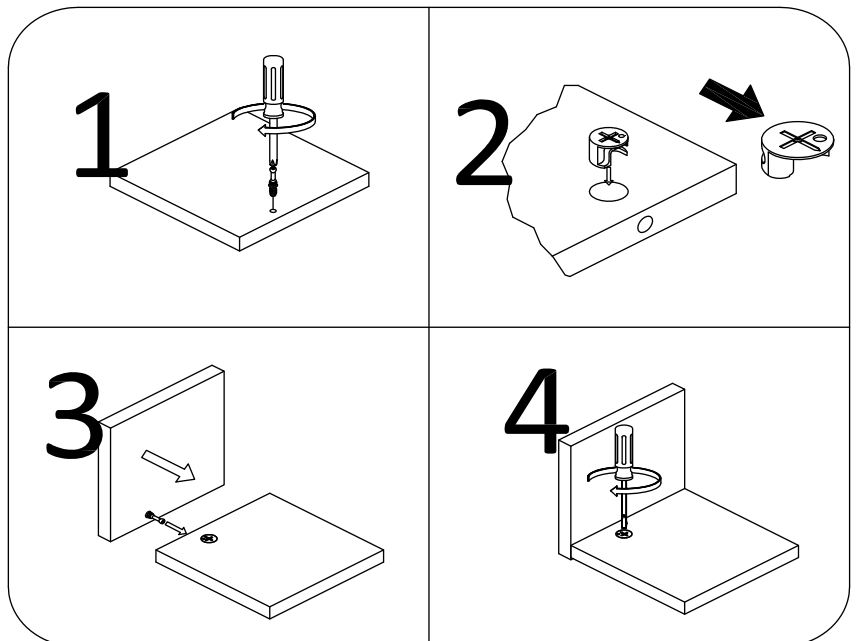
Rubber Granules



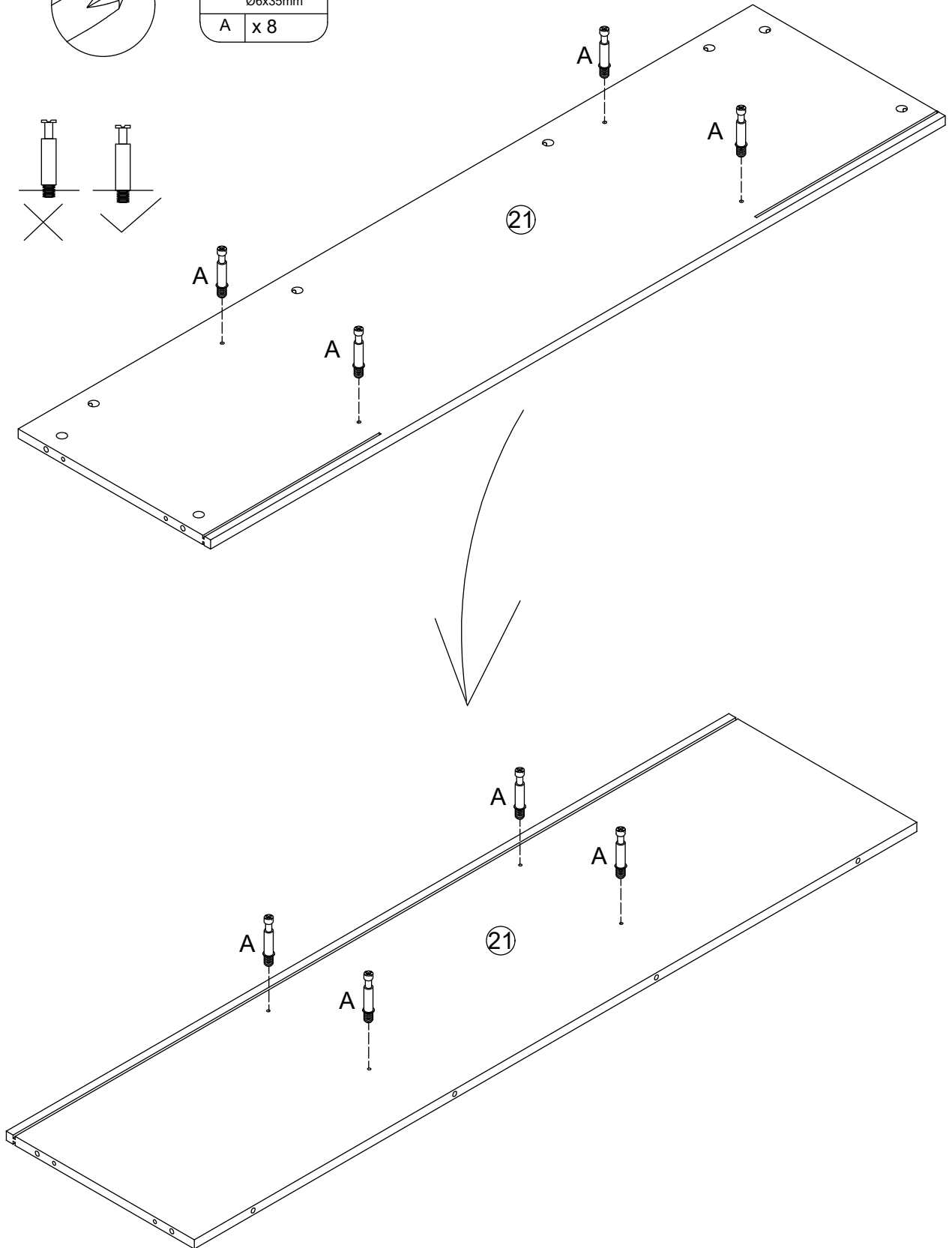
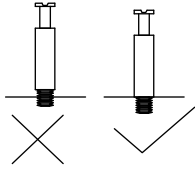
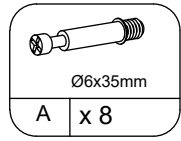
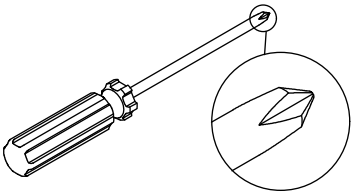
Screwdriver

Cam Lock Fastening System

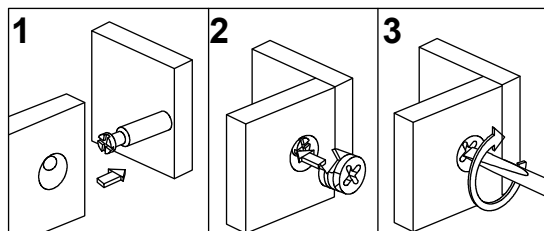
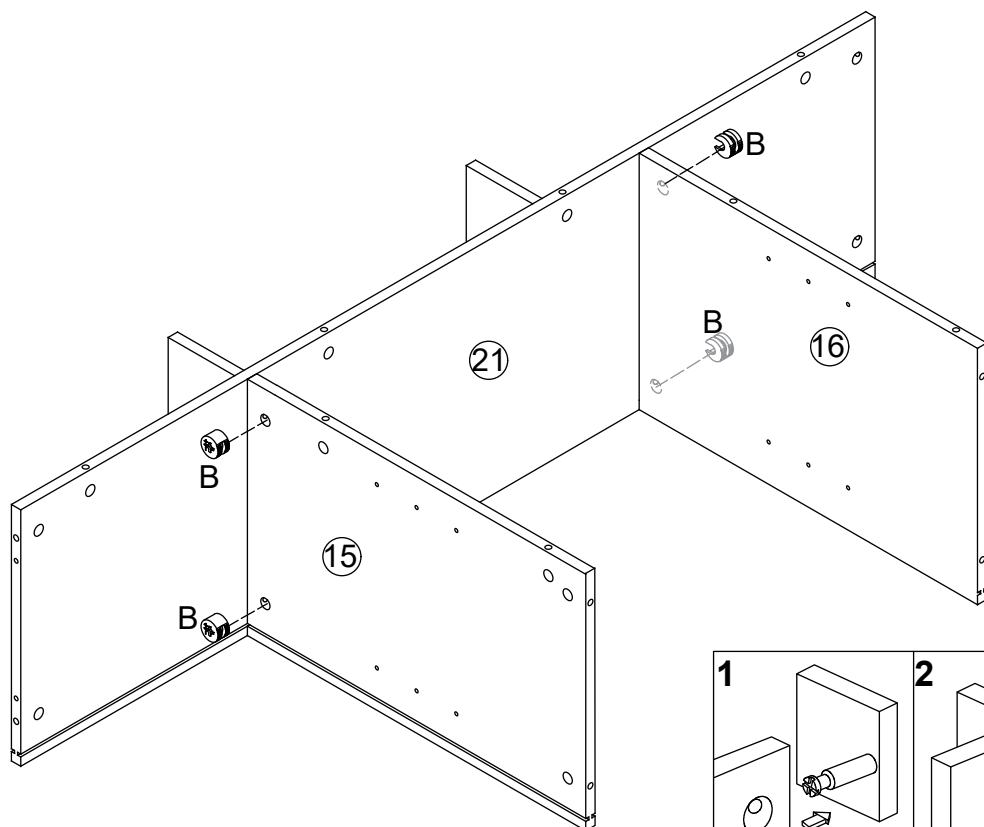
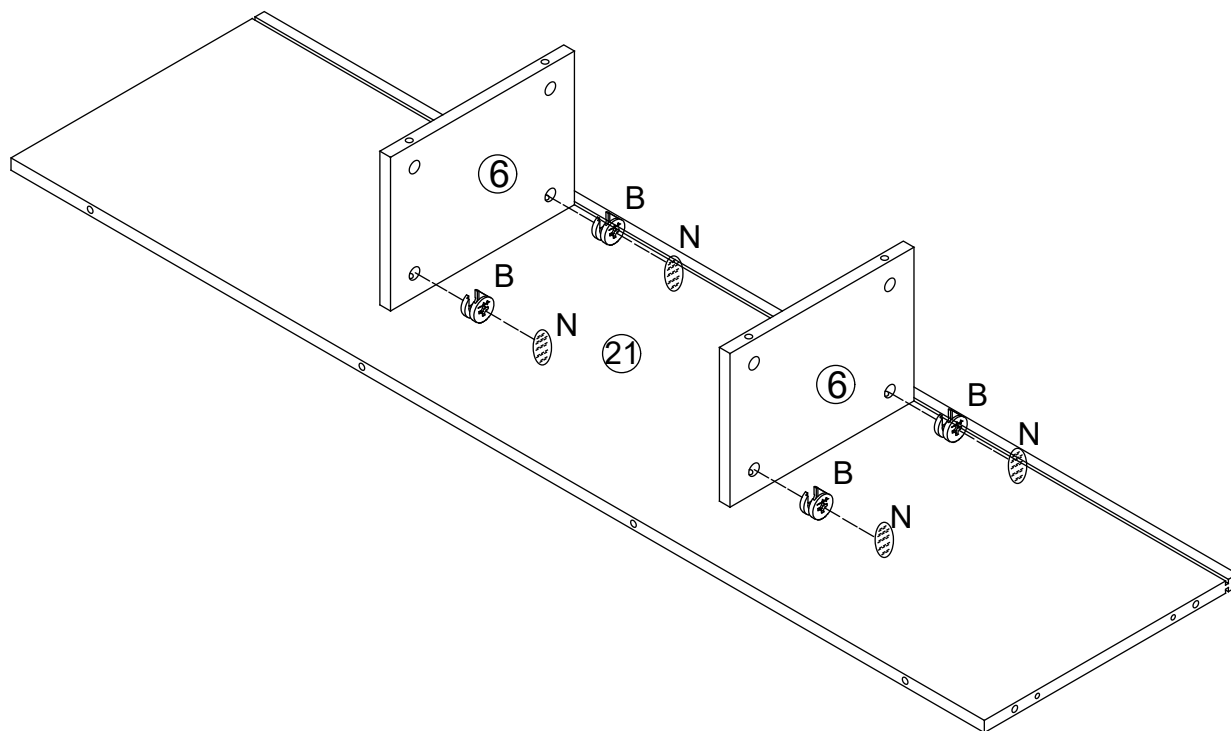
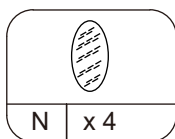
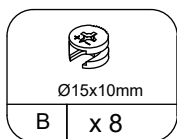
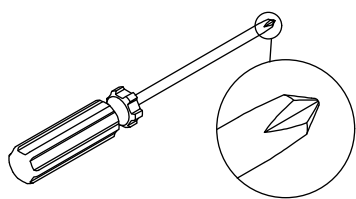
This Cam Lock Fastening System will be used throughout the assembly process.



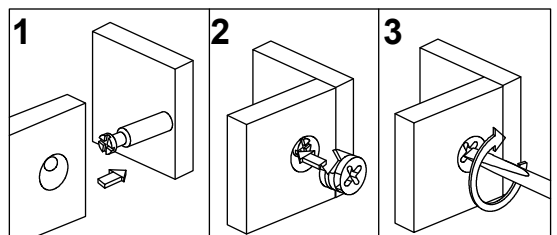
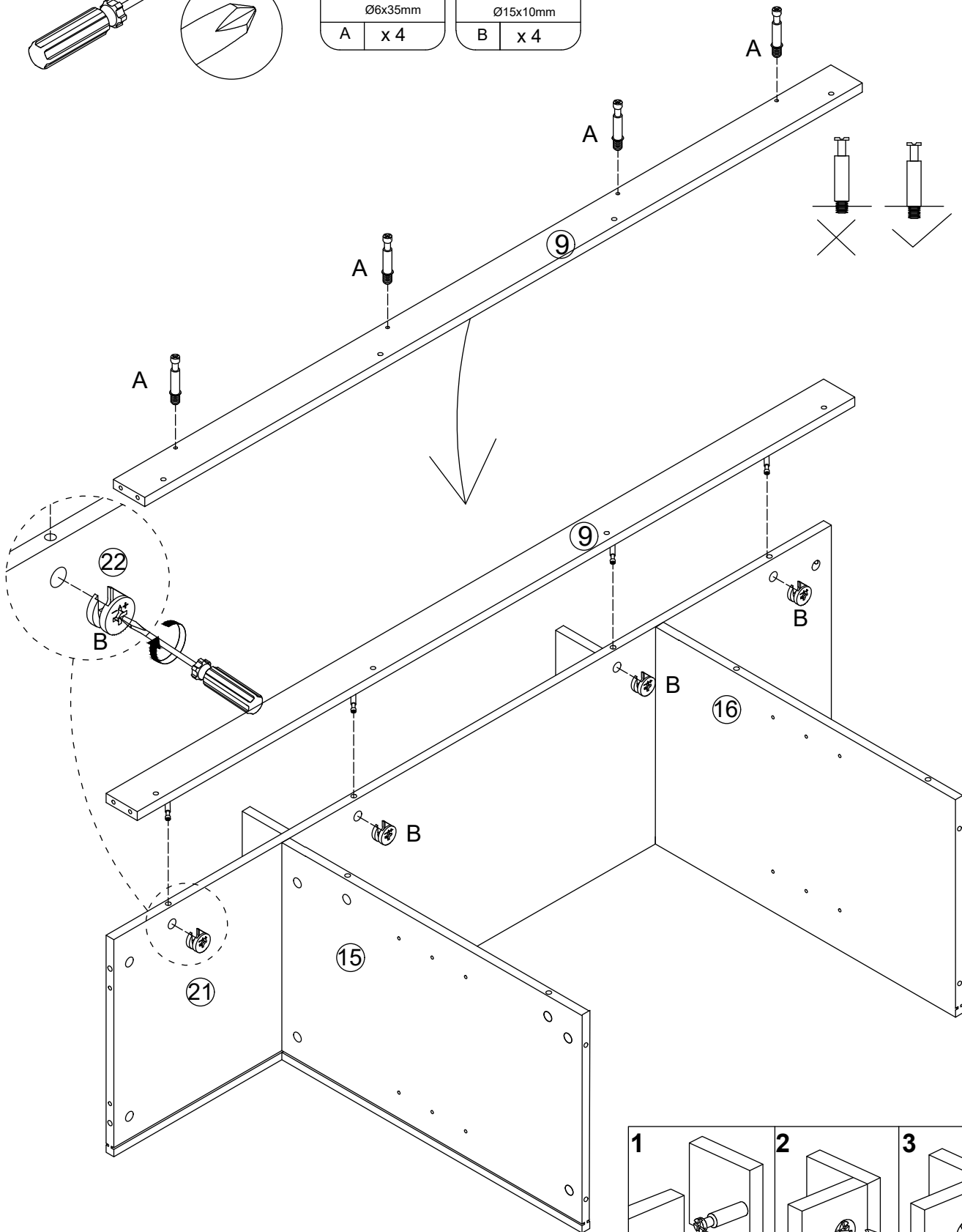
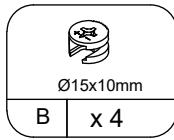
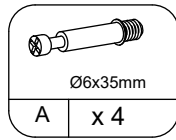
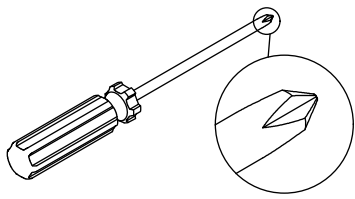
STEP 1



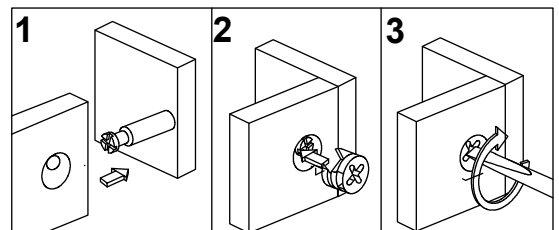
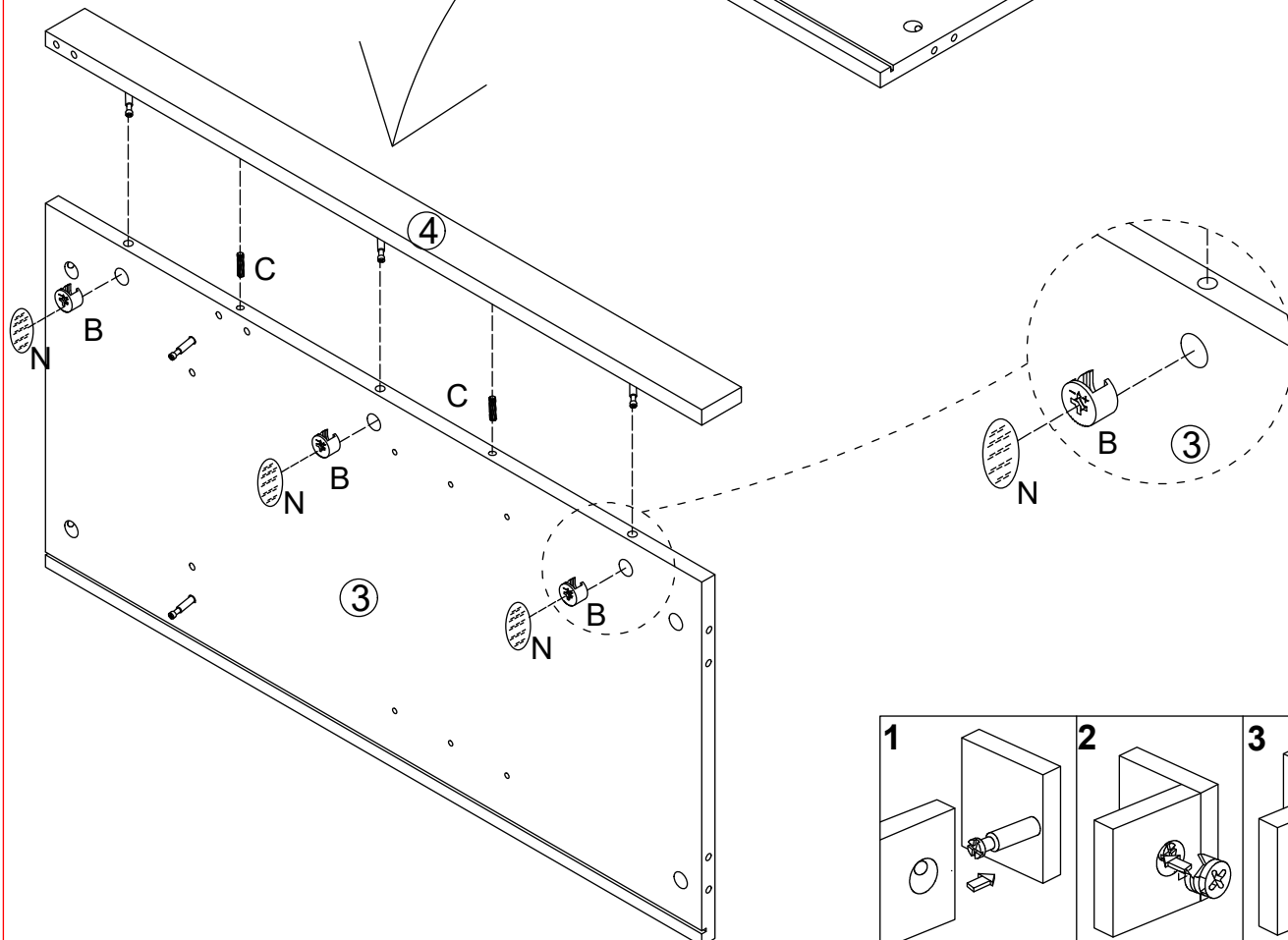
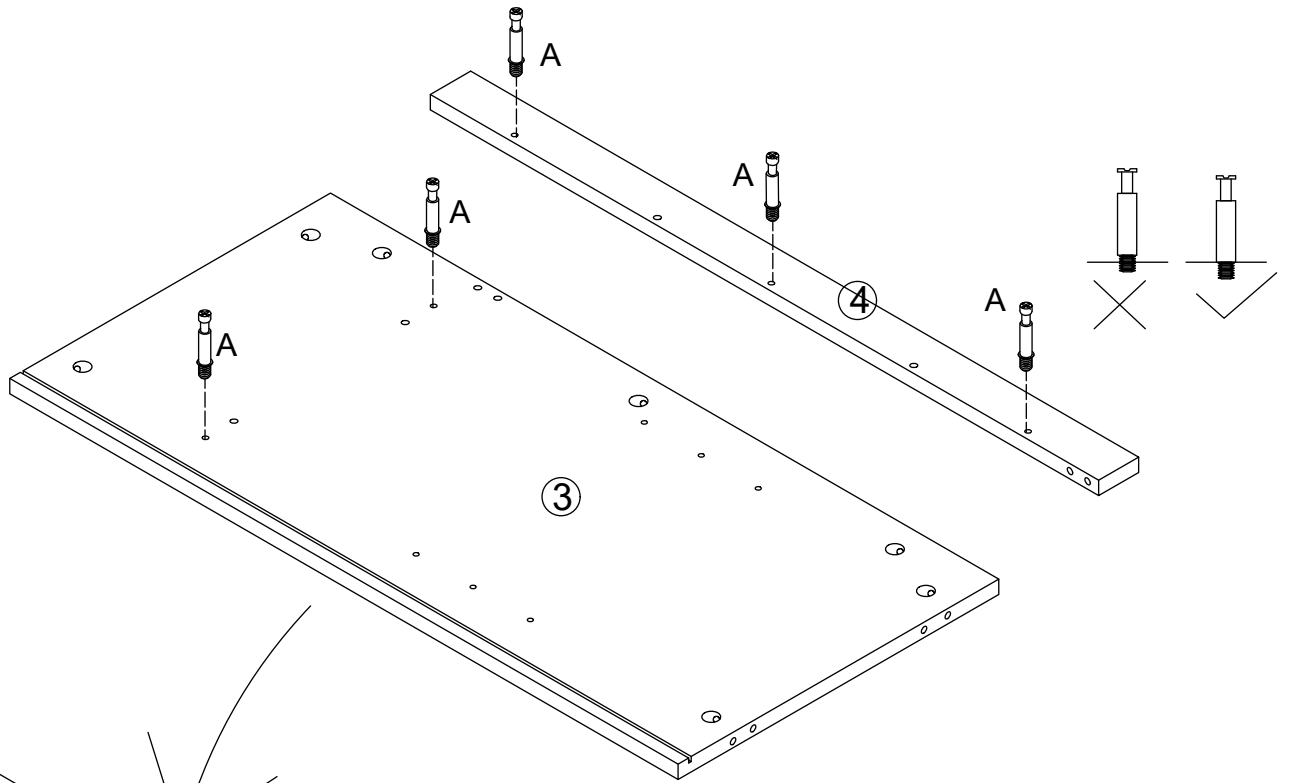
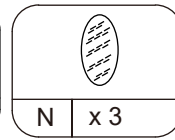
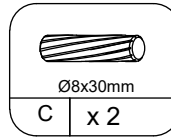
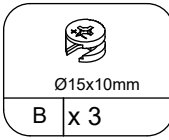
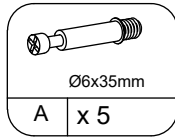
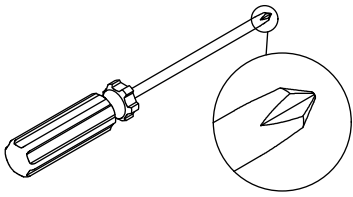
STEP 2



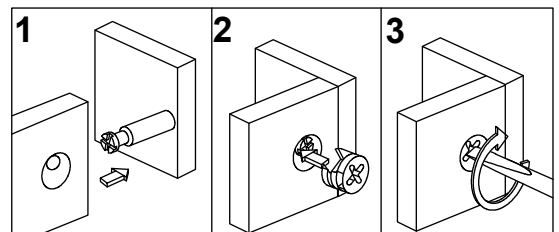
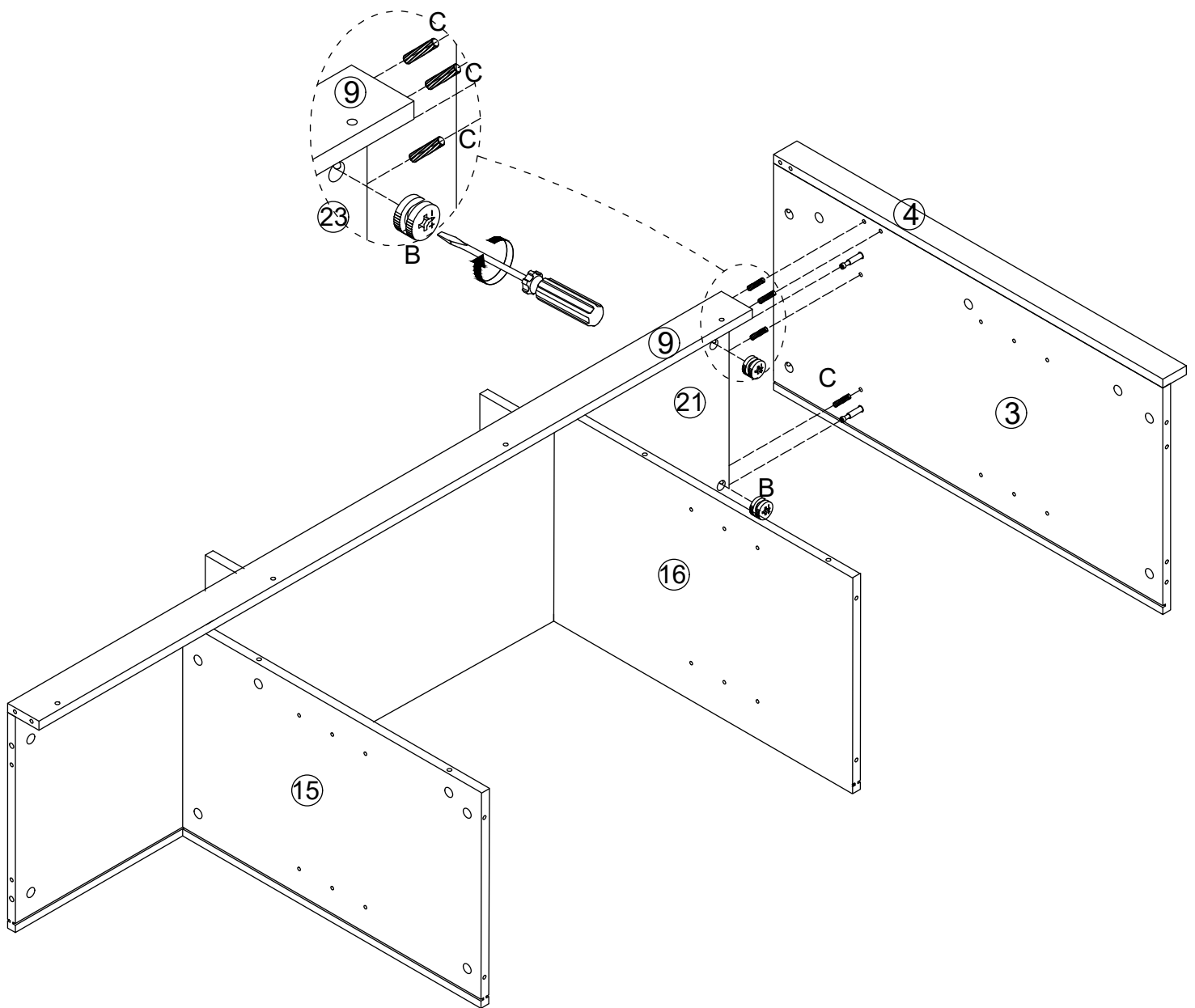
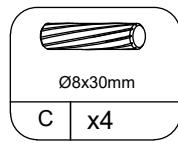
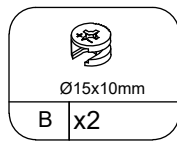
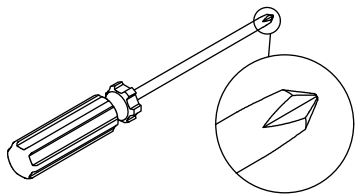
STEP 3



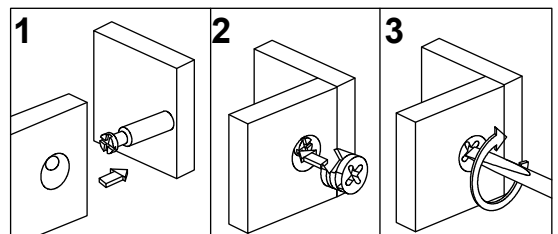
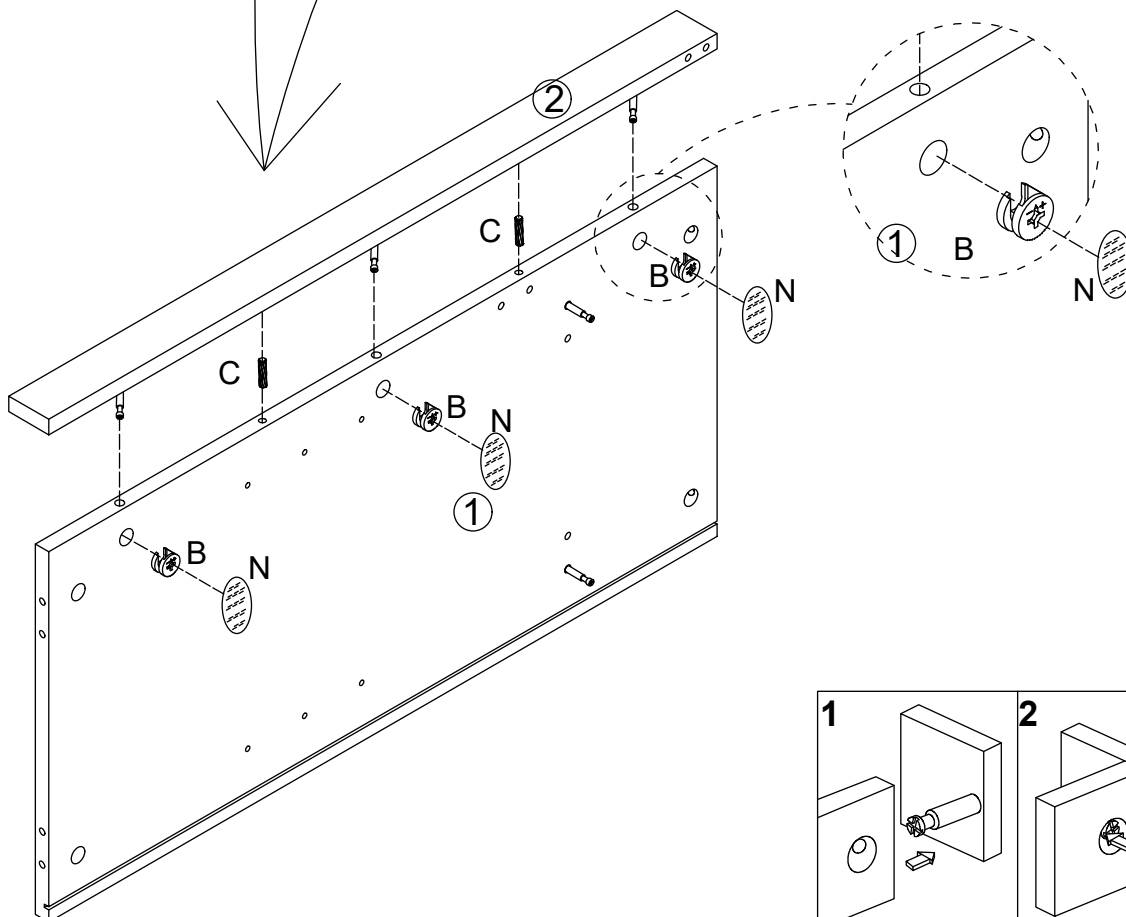
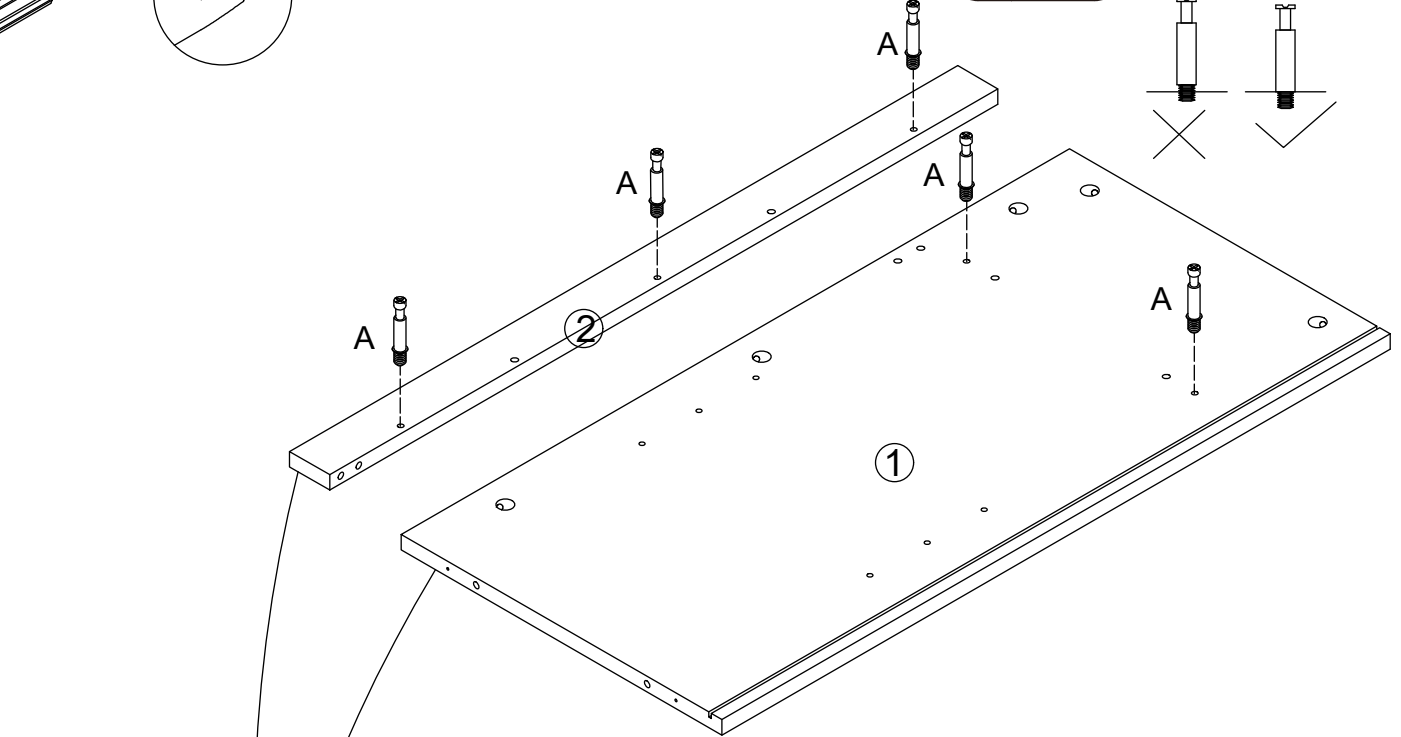
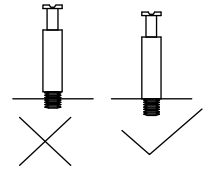
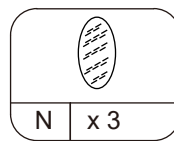
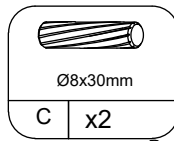
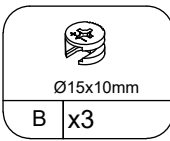
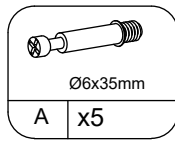
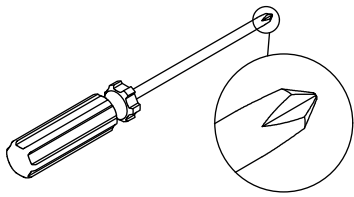
STEP 4



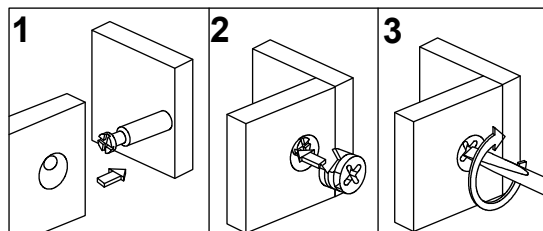
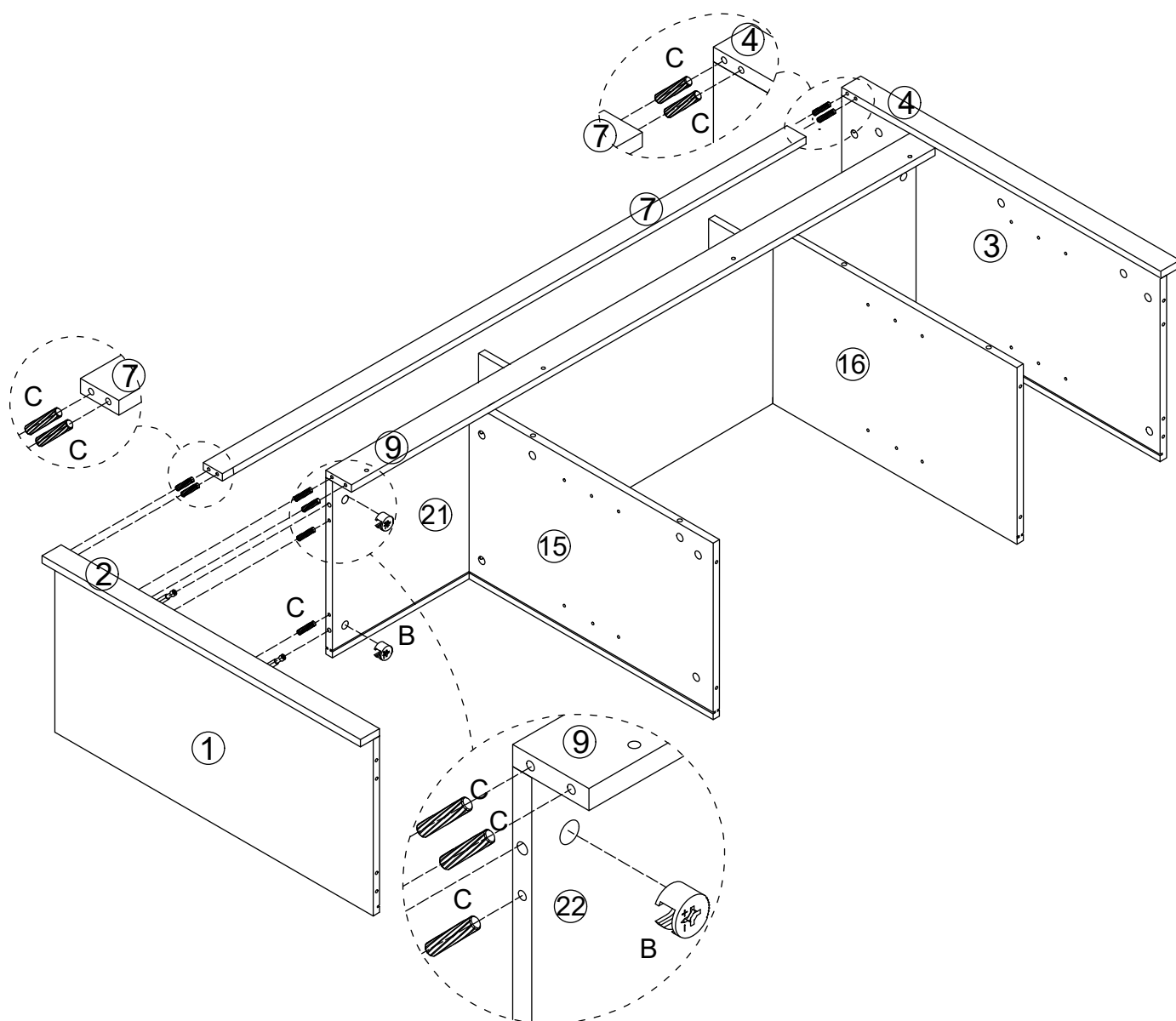
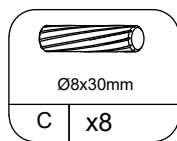
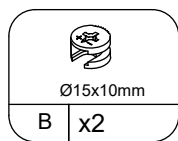
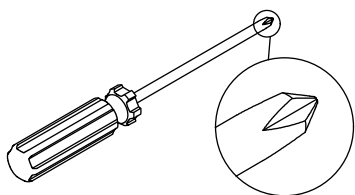
STEP 5



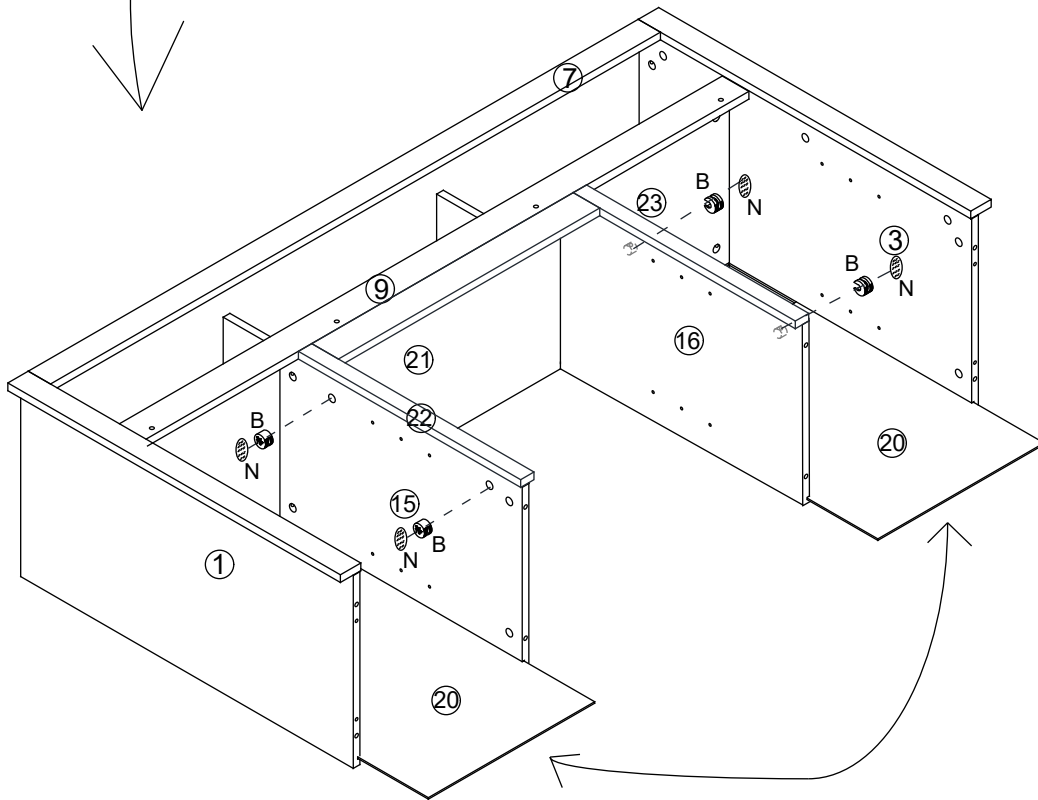
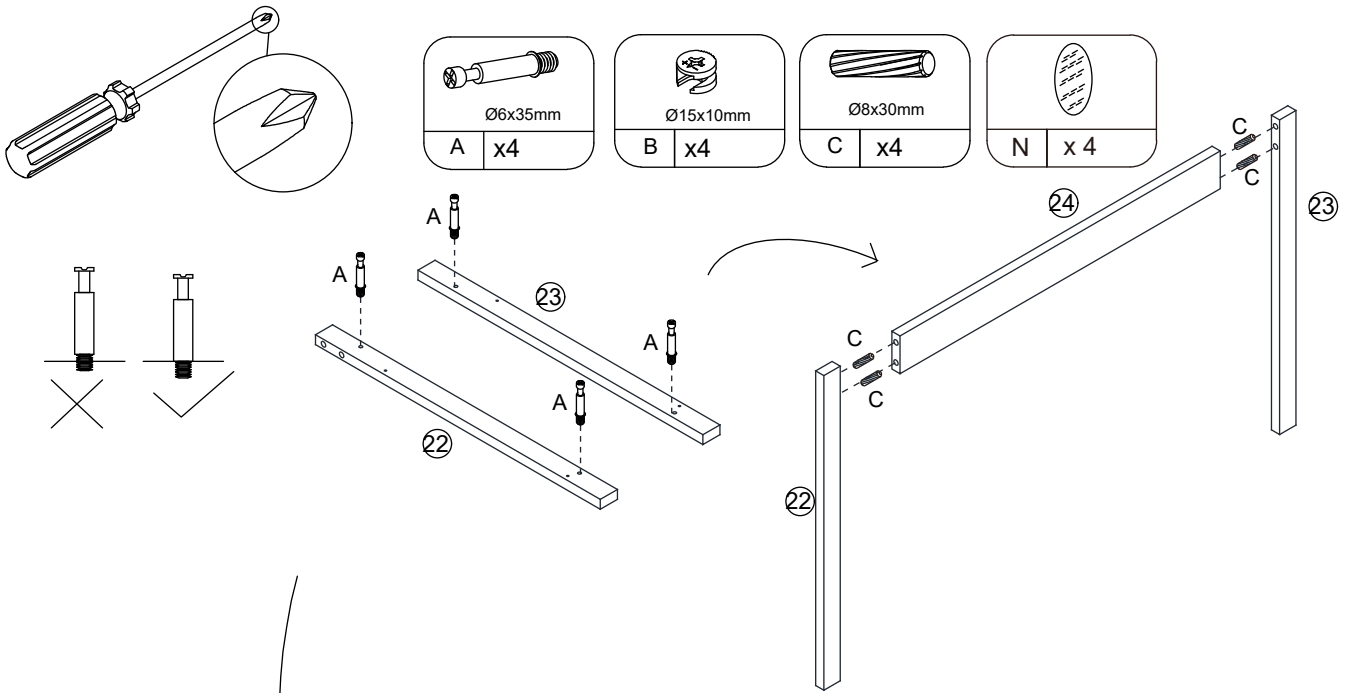
STEP 6



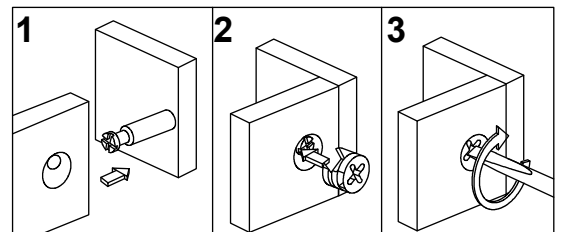
STEP 7



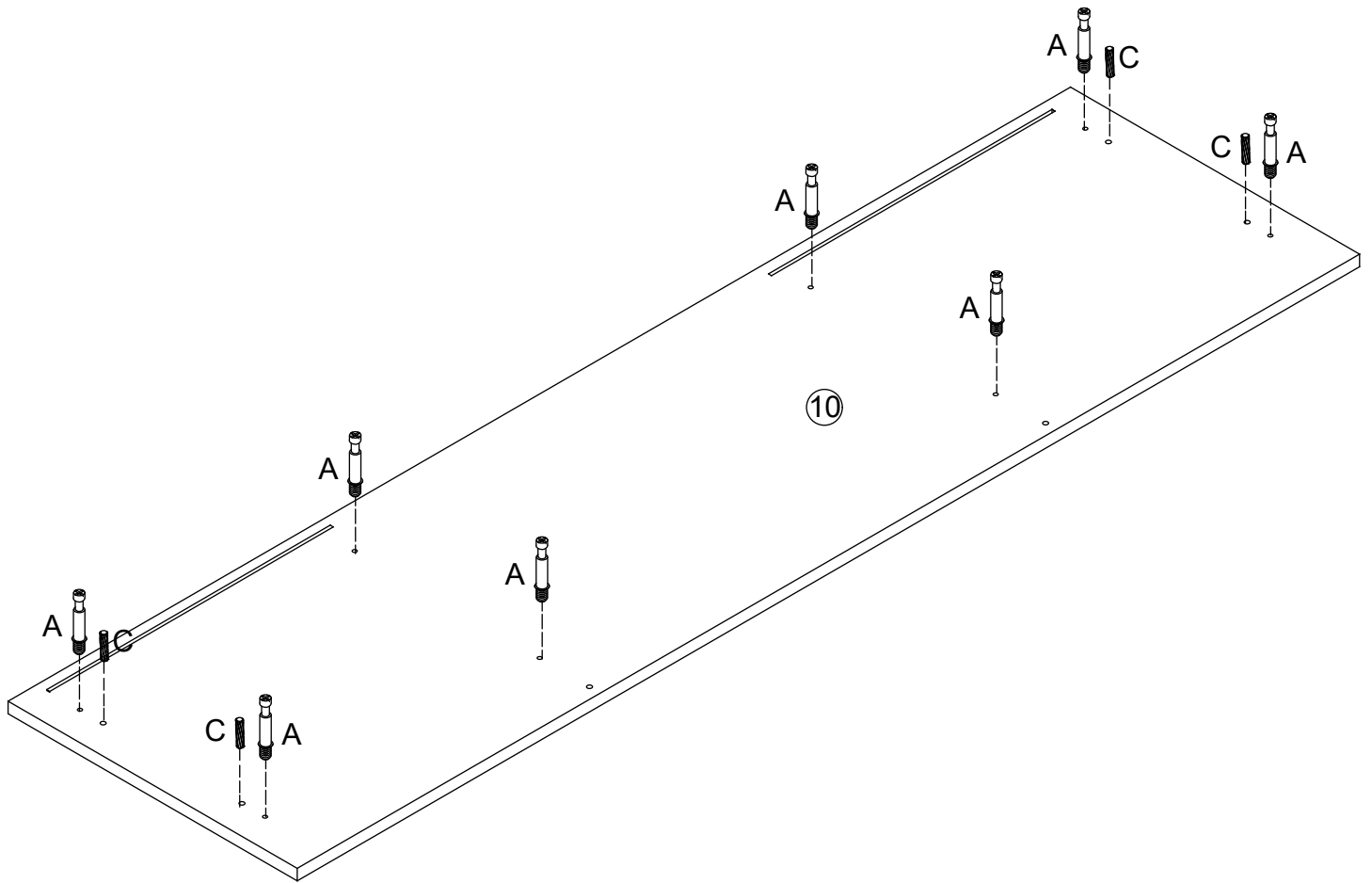
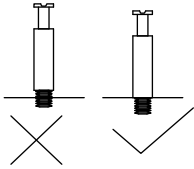
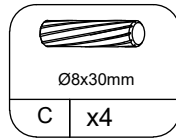
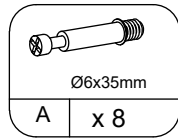
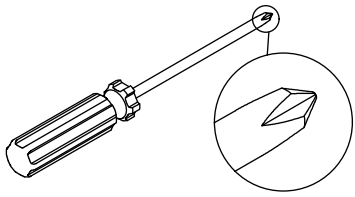
STEP 8



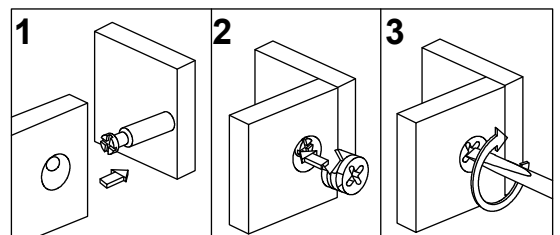
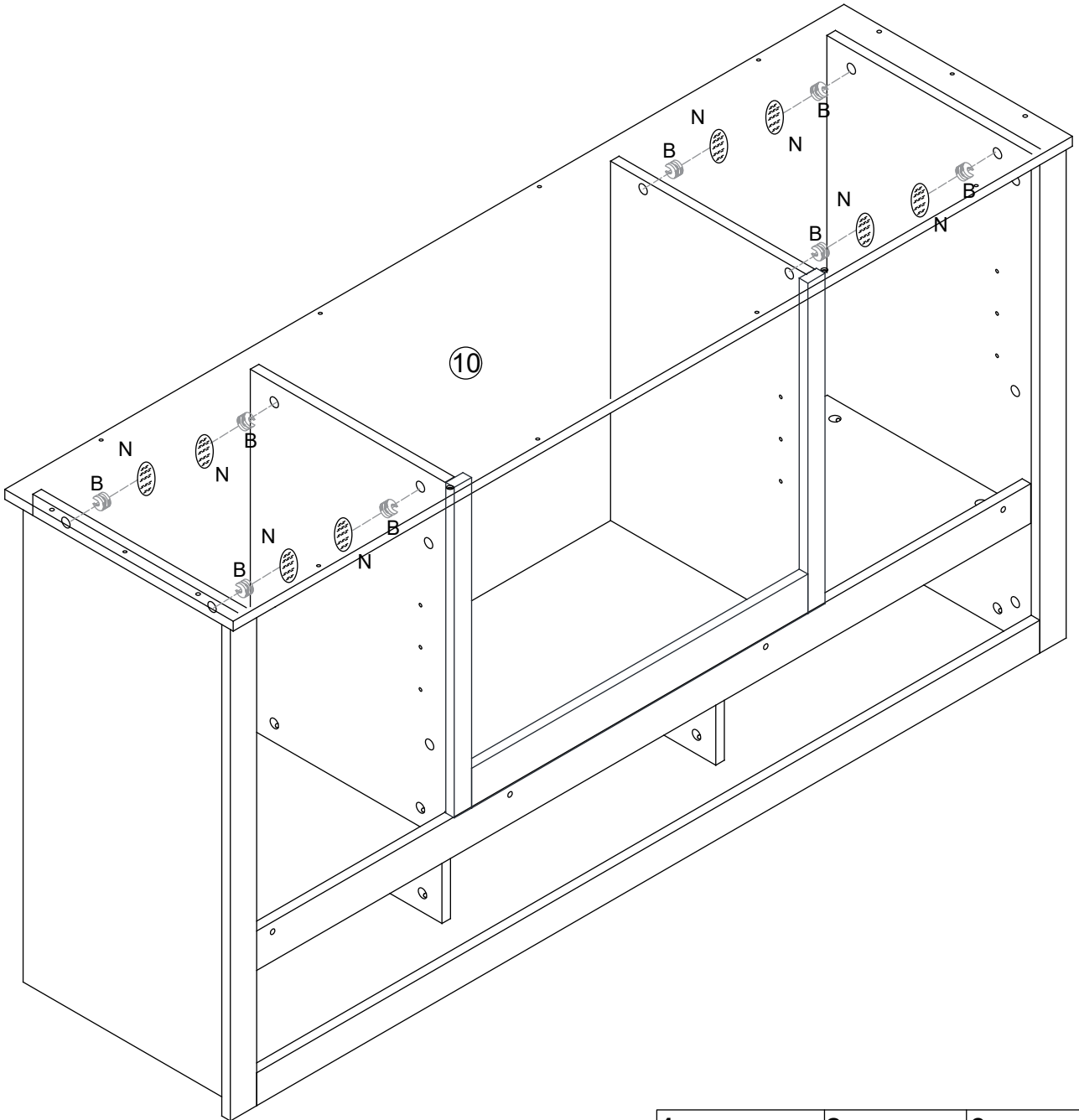
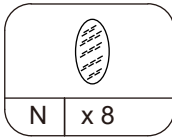
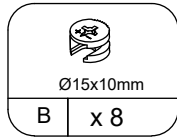
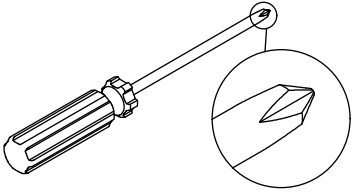
The outer plate of No.20 is raw material ,
There is no sticker



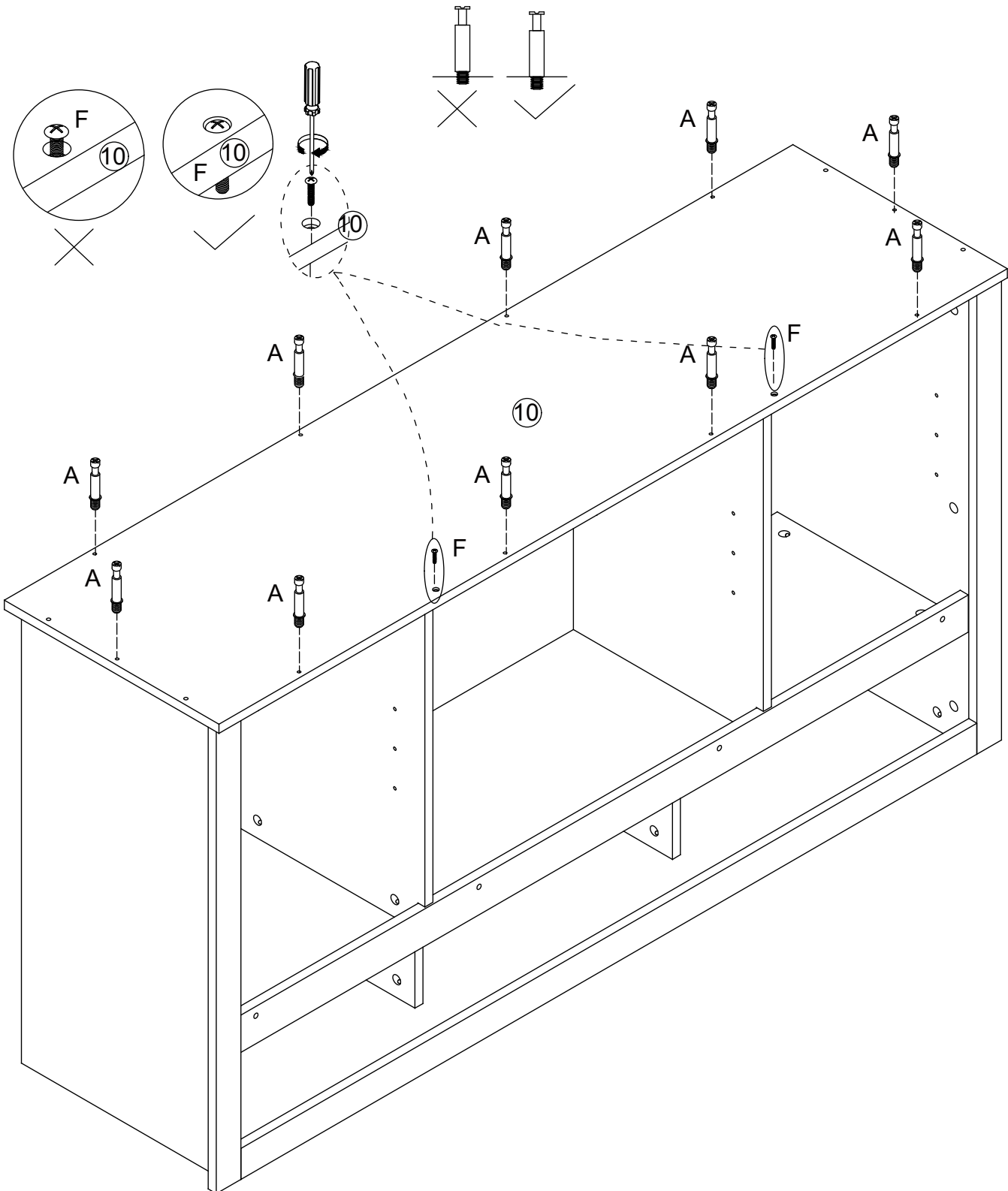
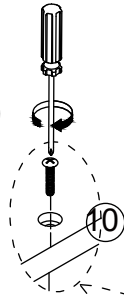
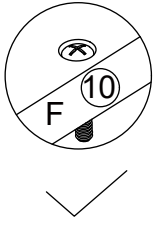
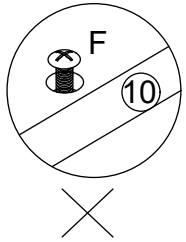
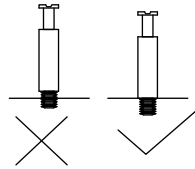
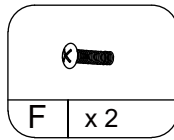
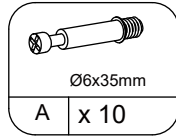
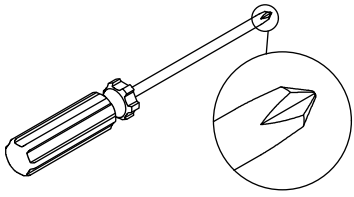
STEP 9



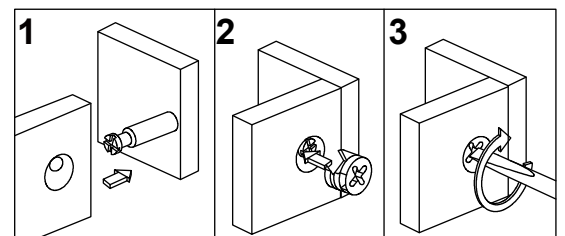
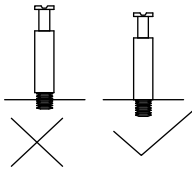
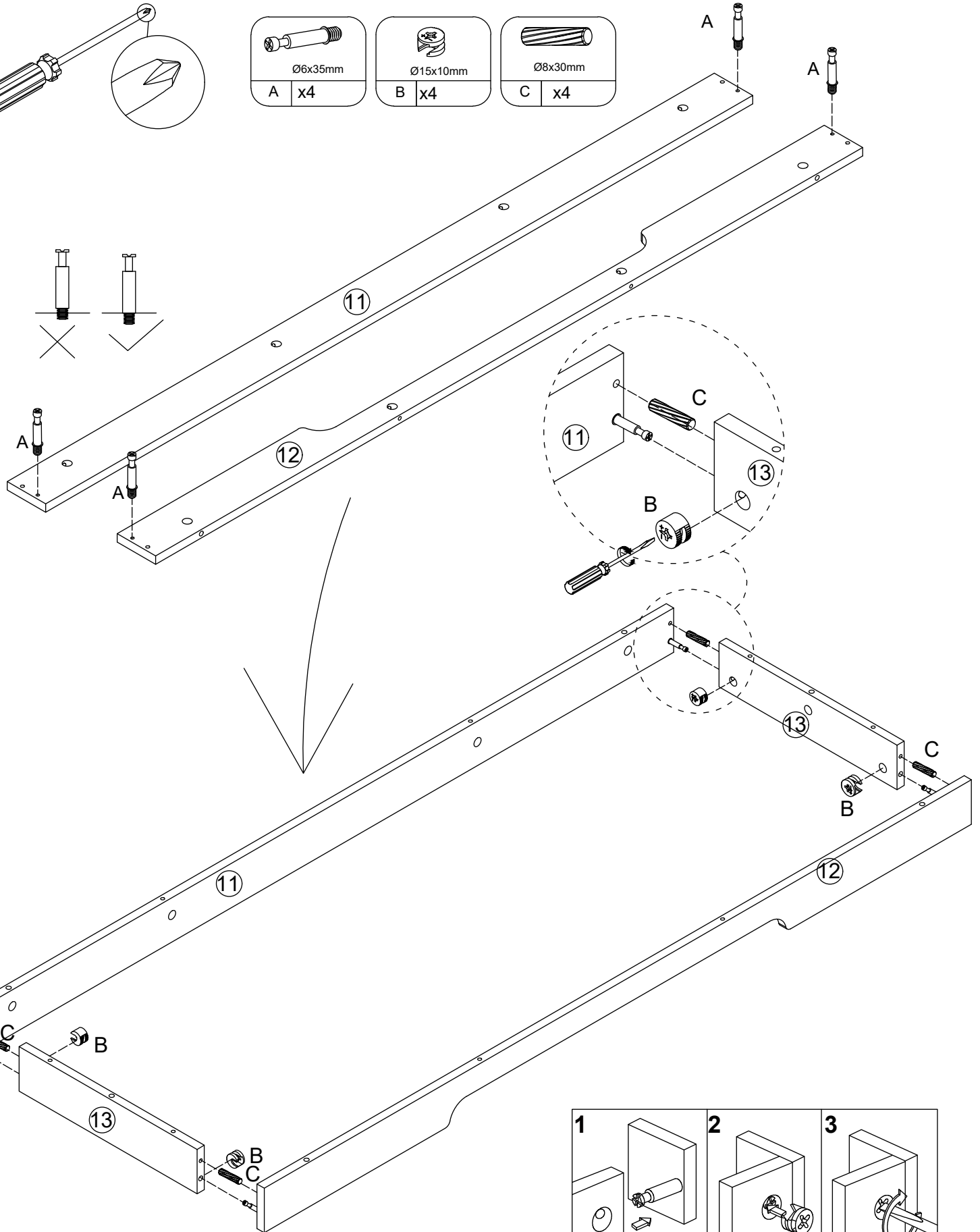
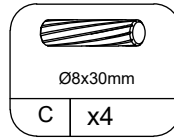
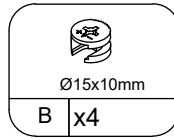
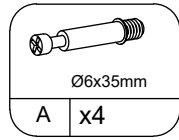
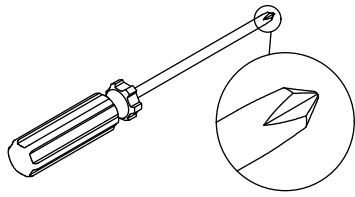
STEP 10



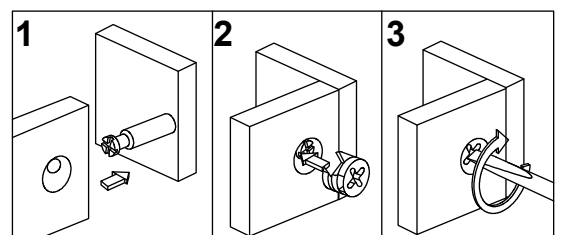
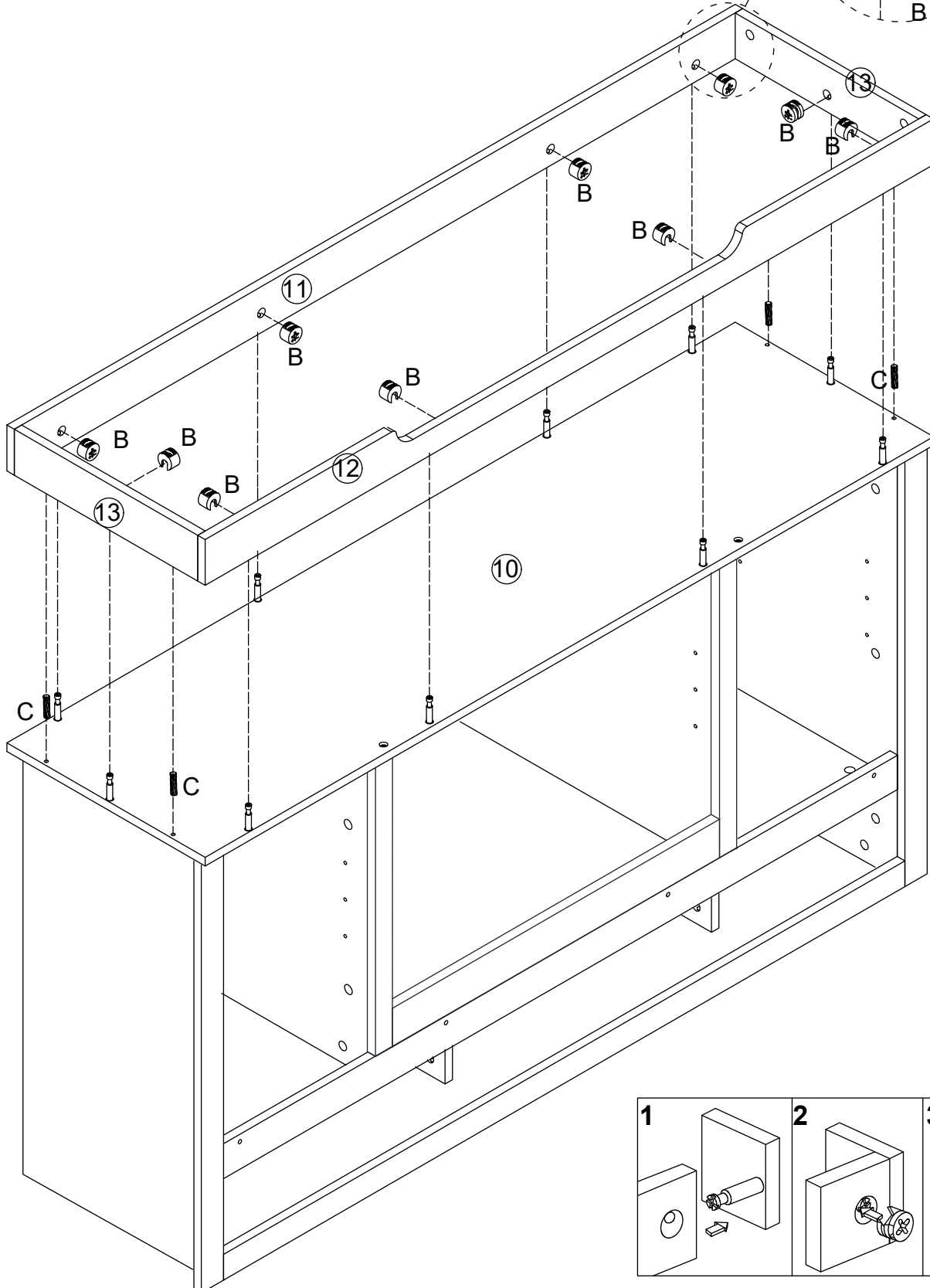
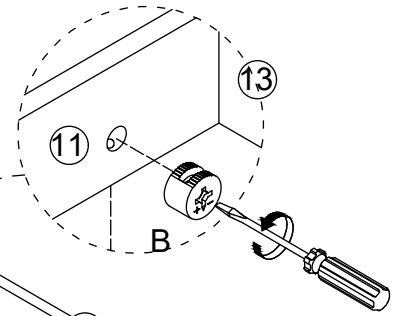
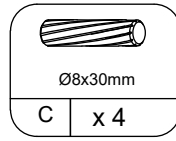
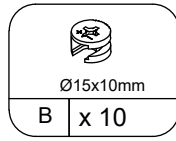
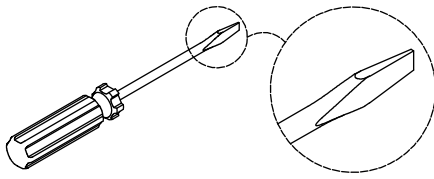
STEP 11



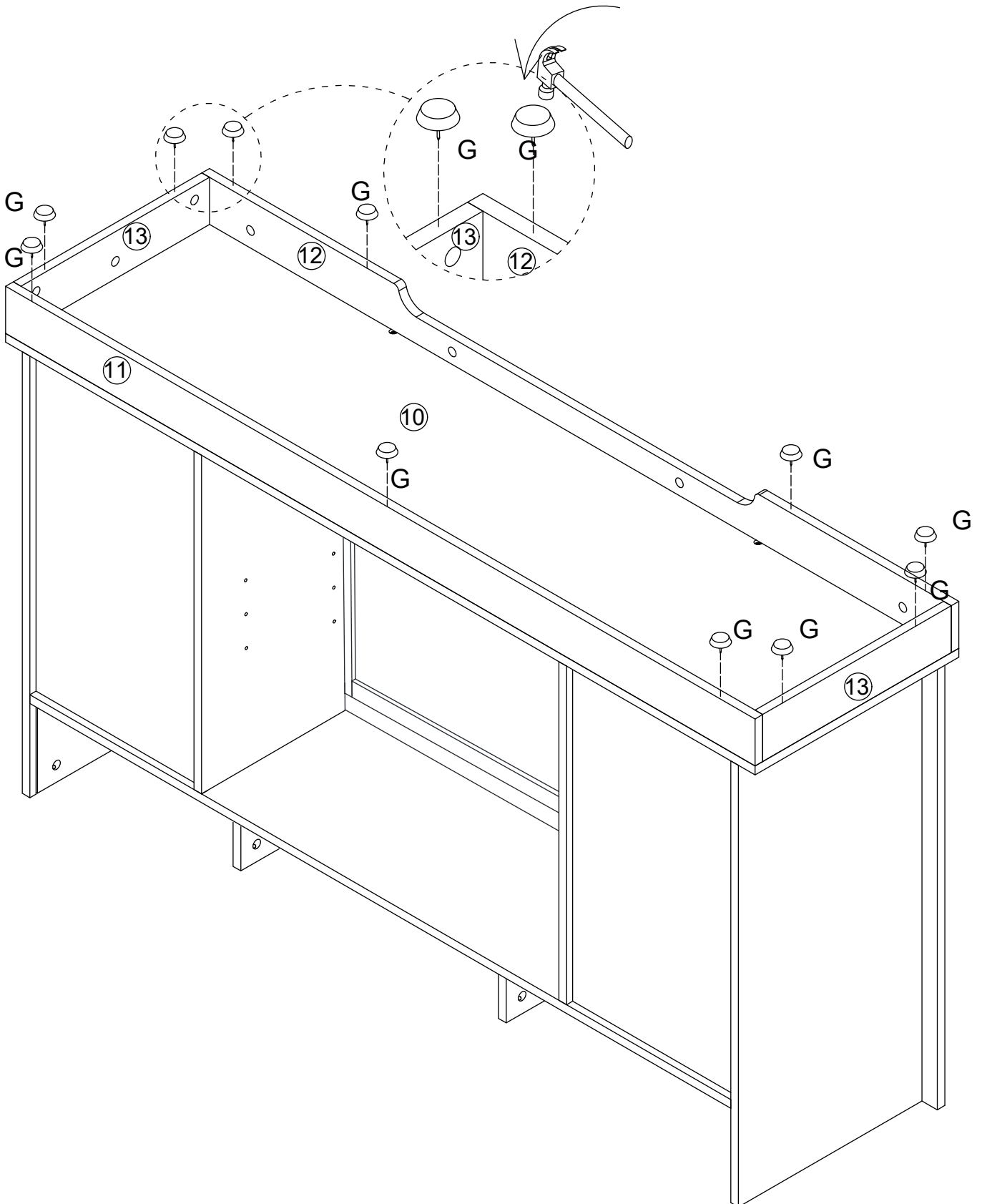
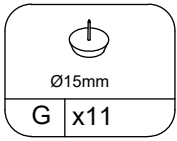
STEP 12



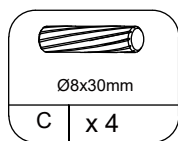
STEP 13



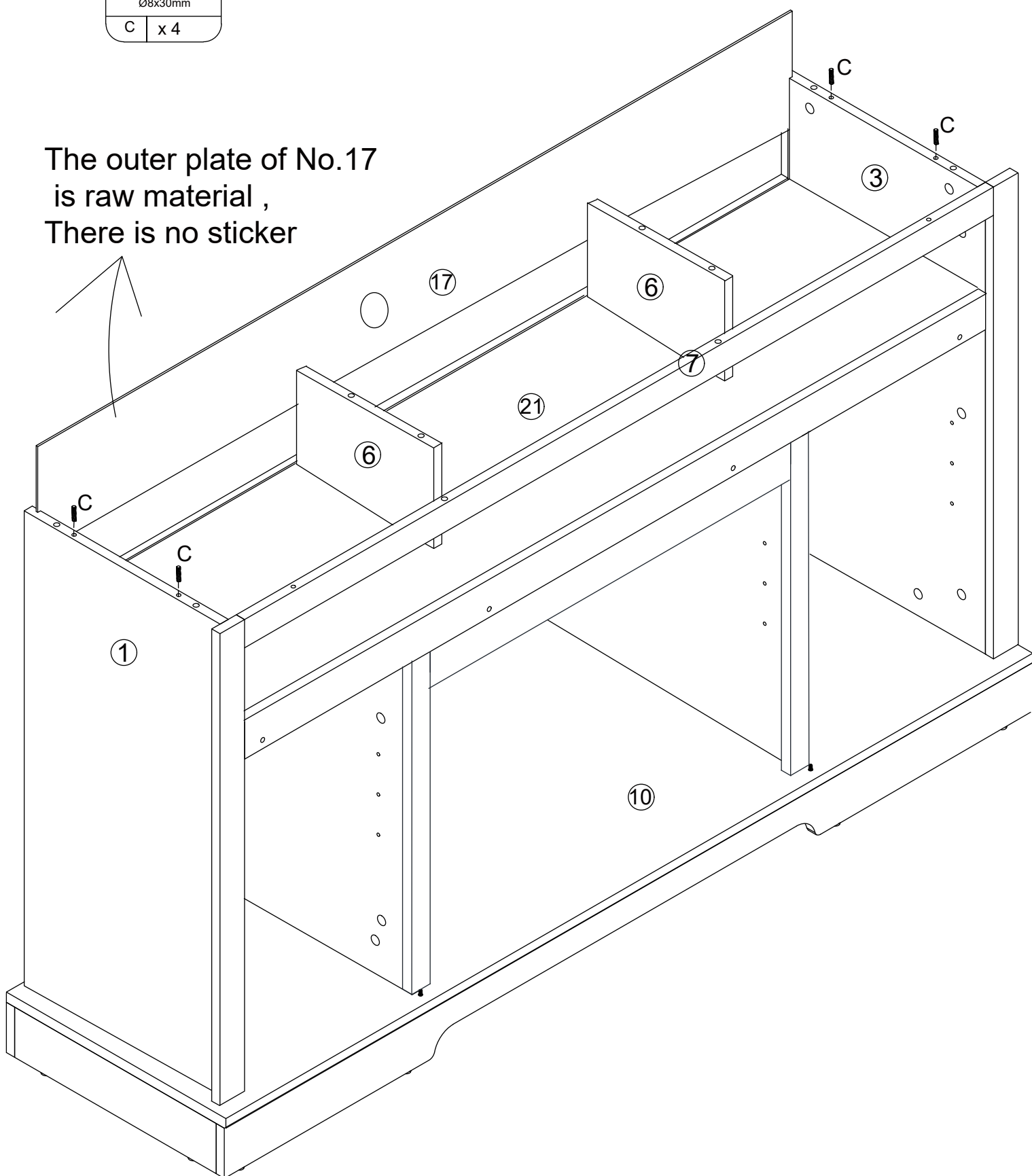
STEP 14



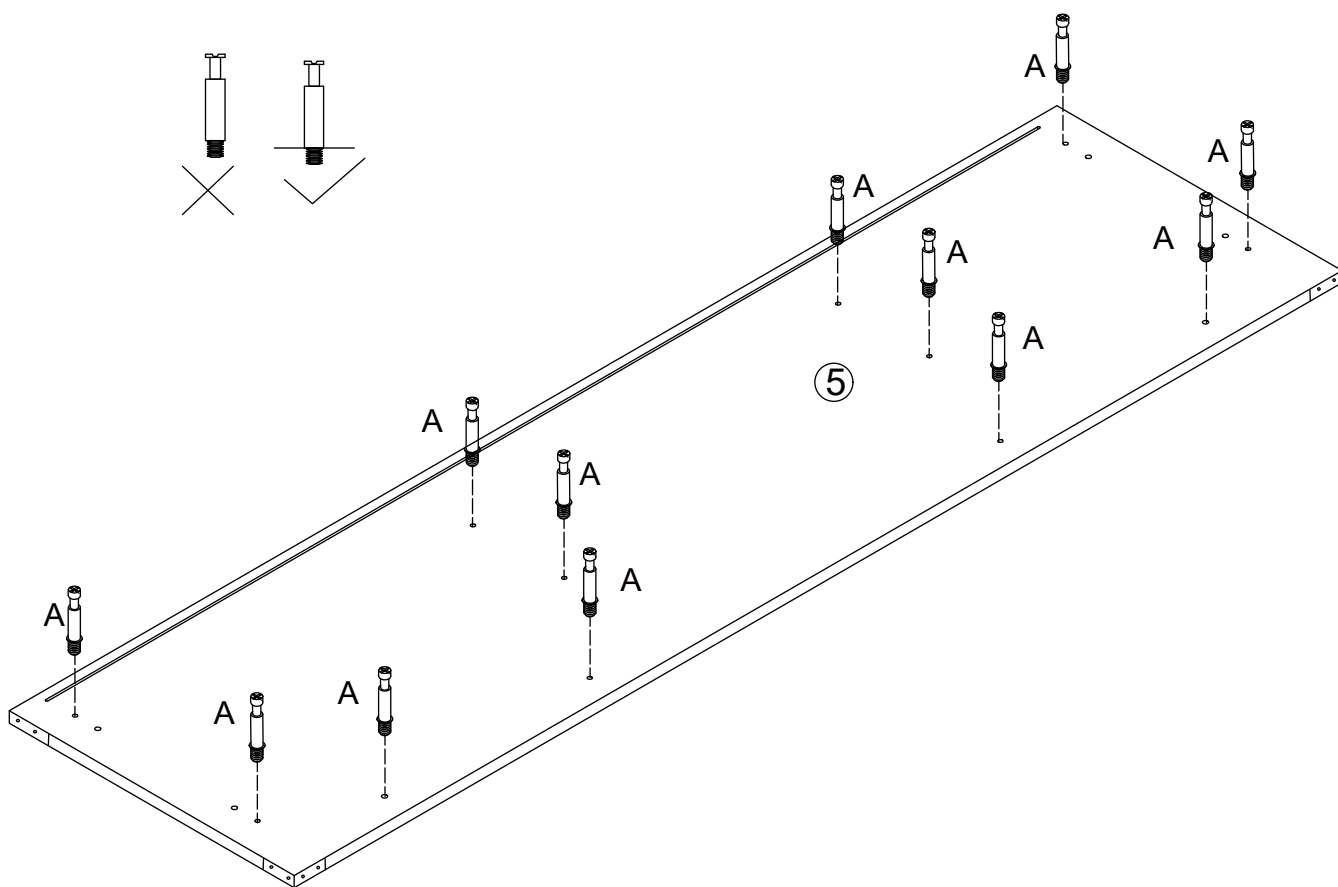
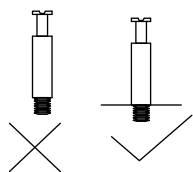
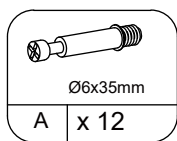
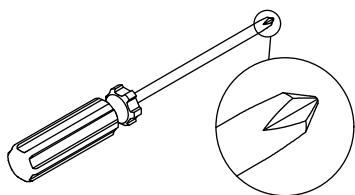
STEP 15



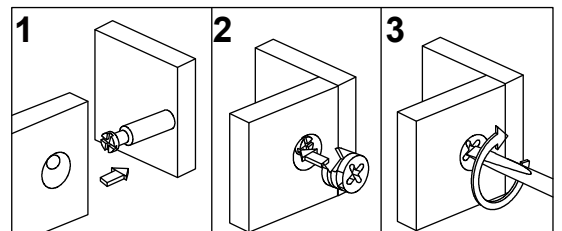
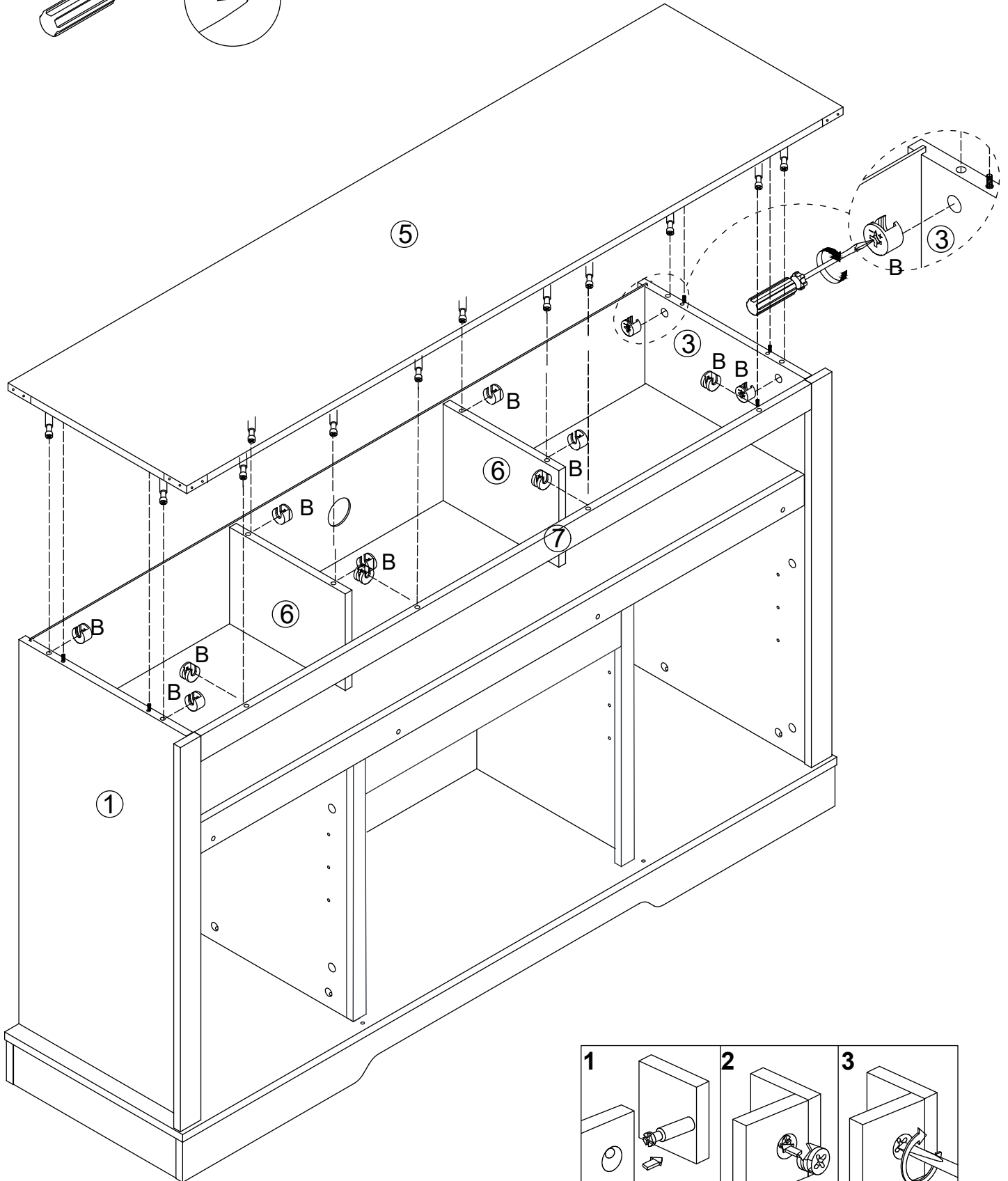
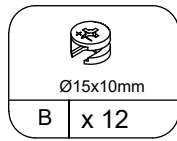
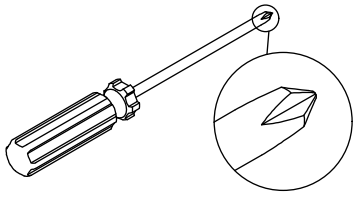
The outer plate of No.17
is raw material ,
There is no sticker



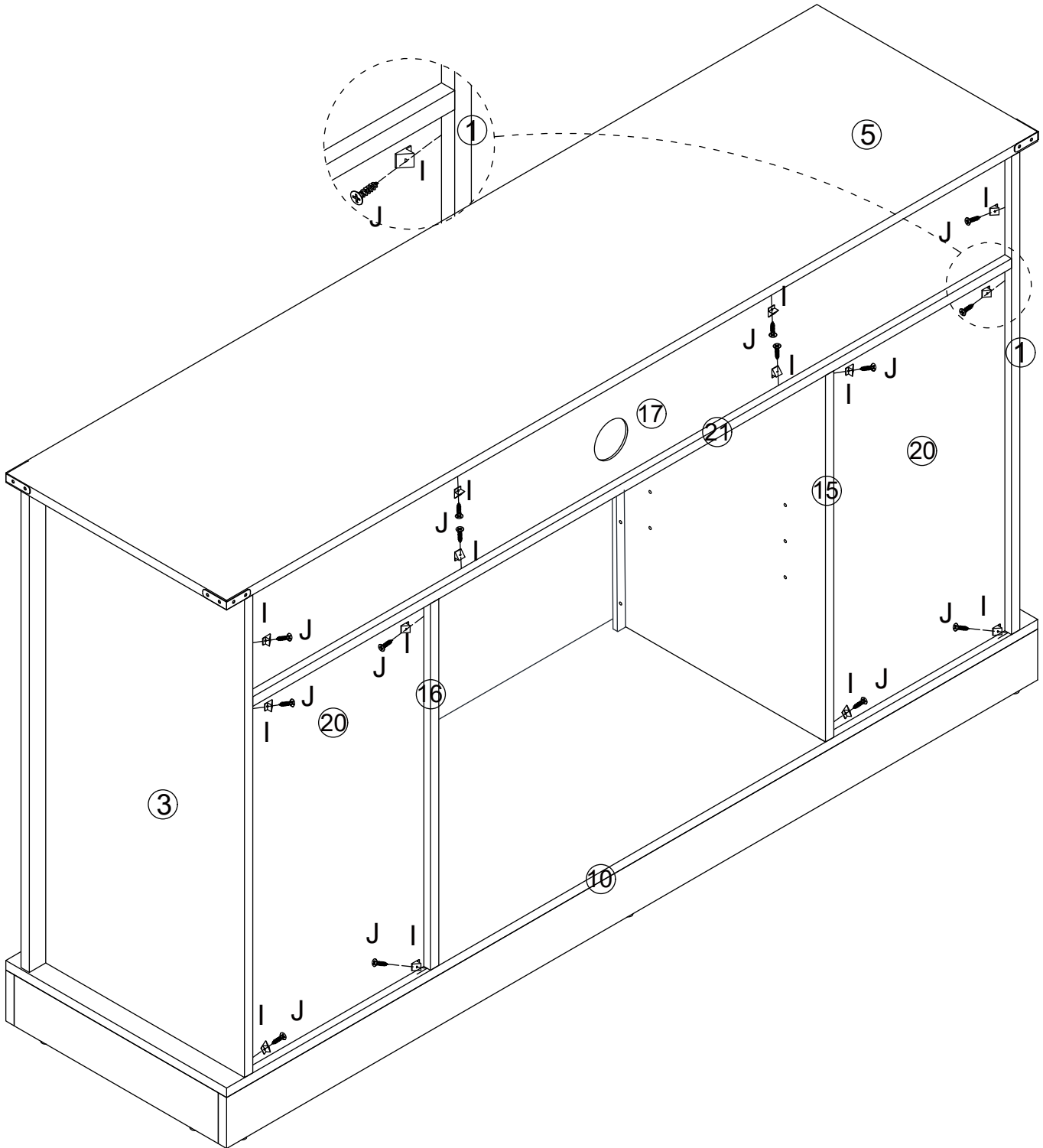
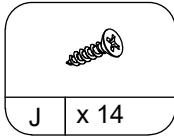
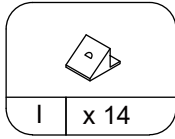
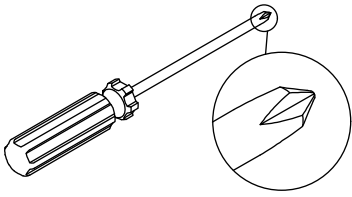
STEP 16



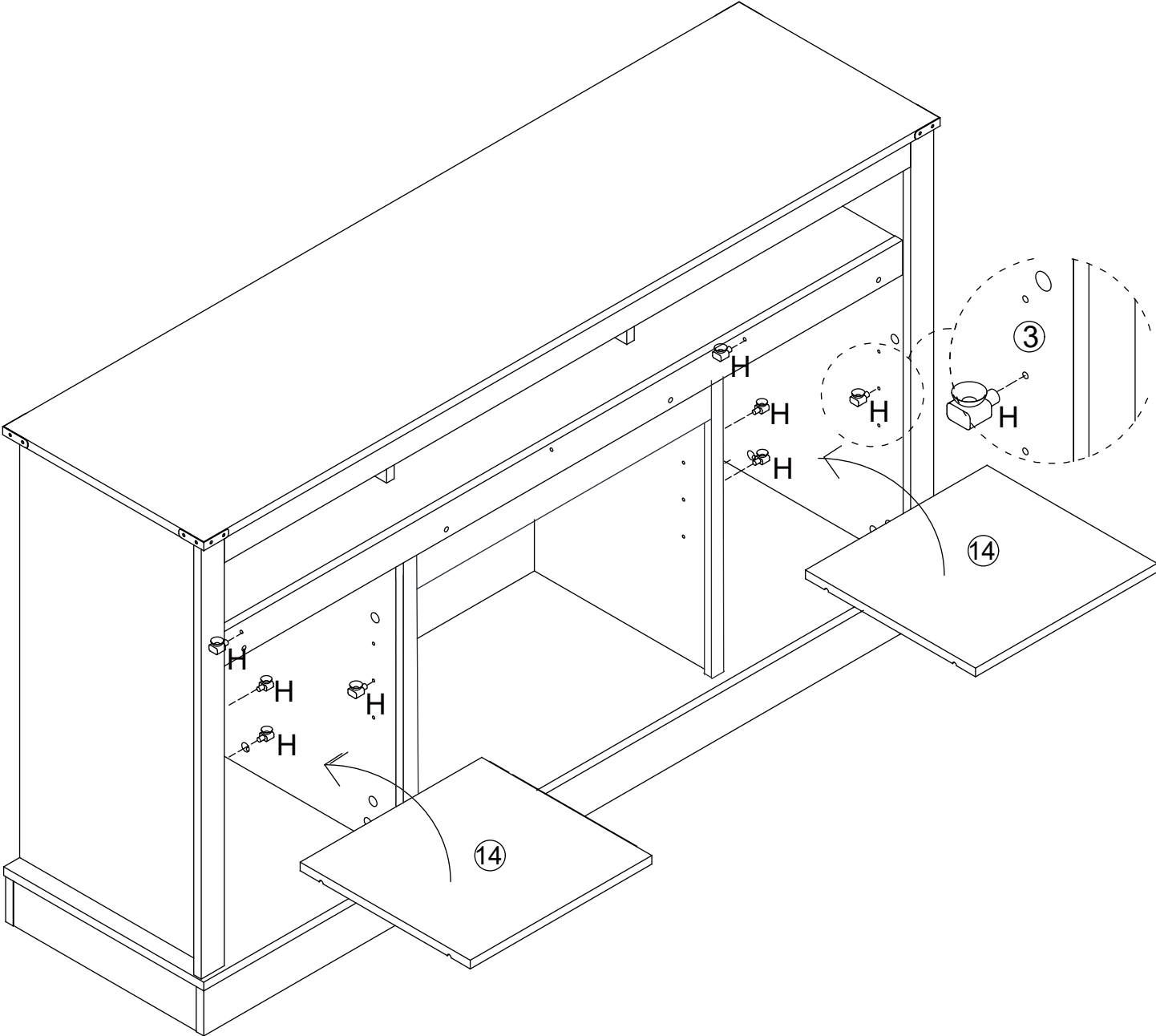
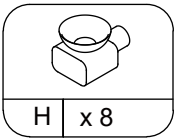
STEP 17



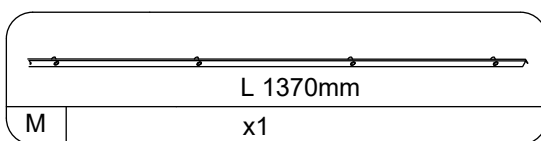
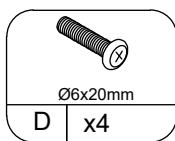
STEP 18



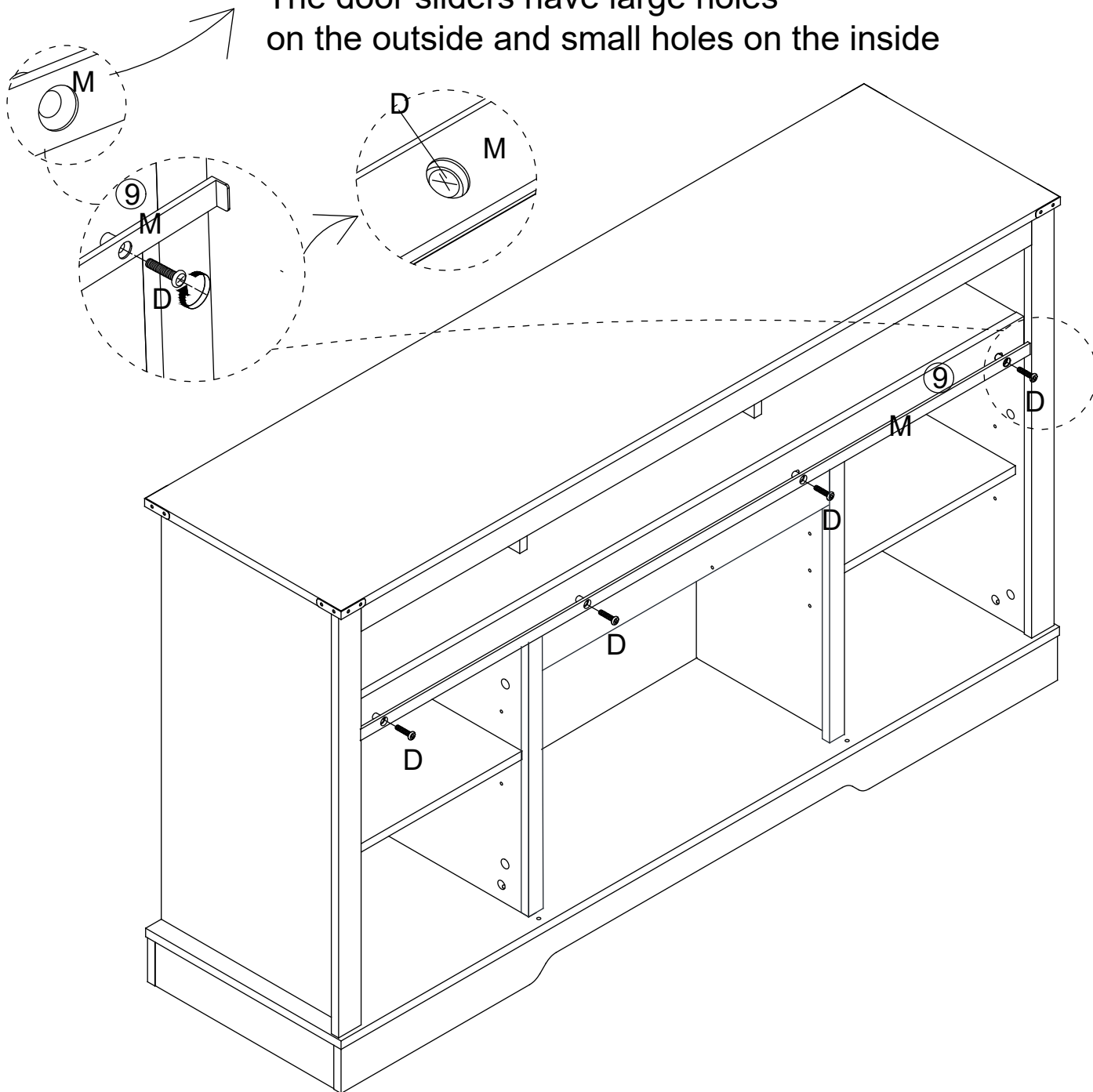
STEP 19



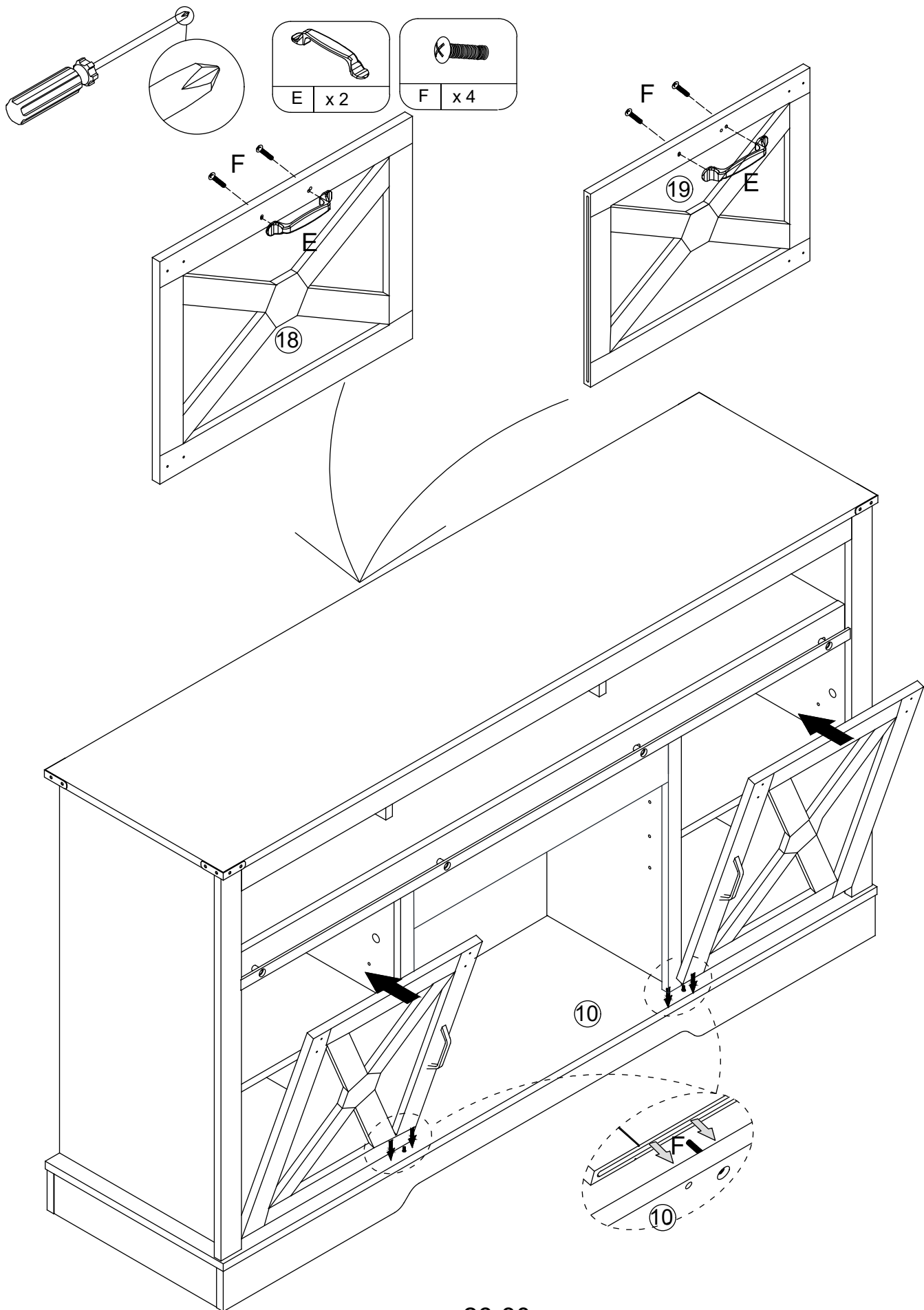
STEP 20



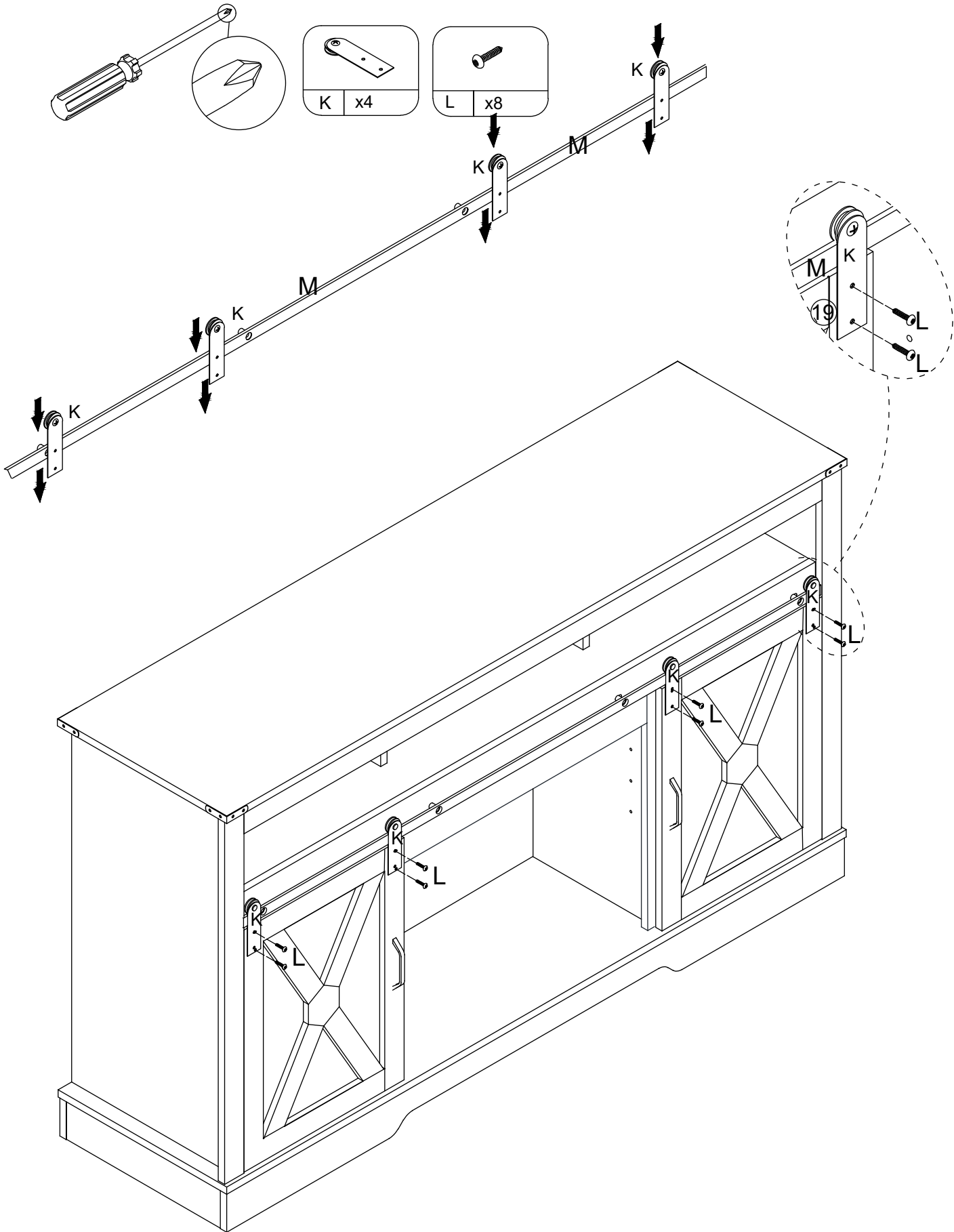
The door sliders have large holes on the outside and small holes on the inside



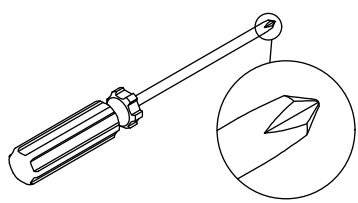
STEP 21



STEP 22

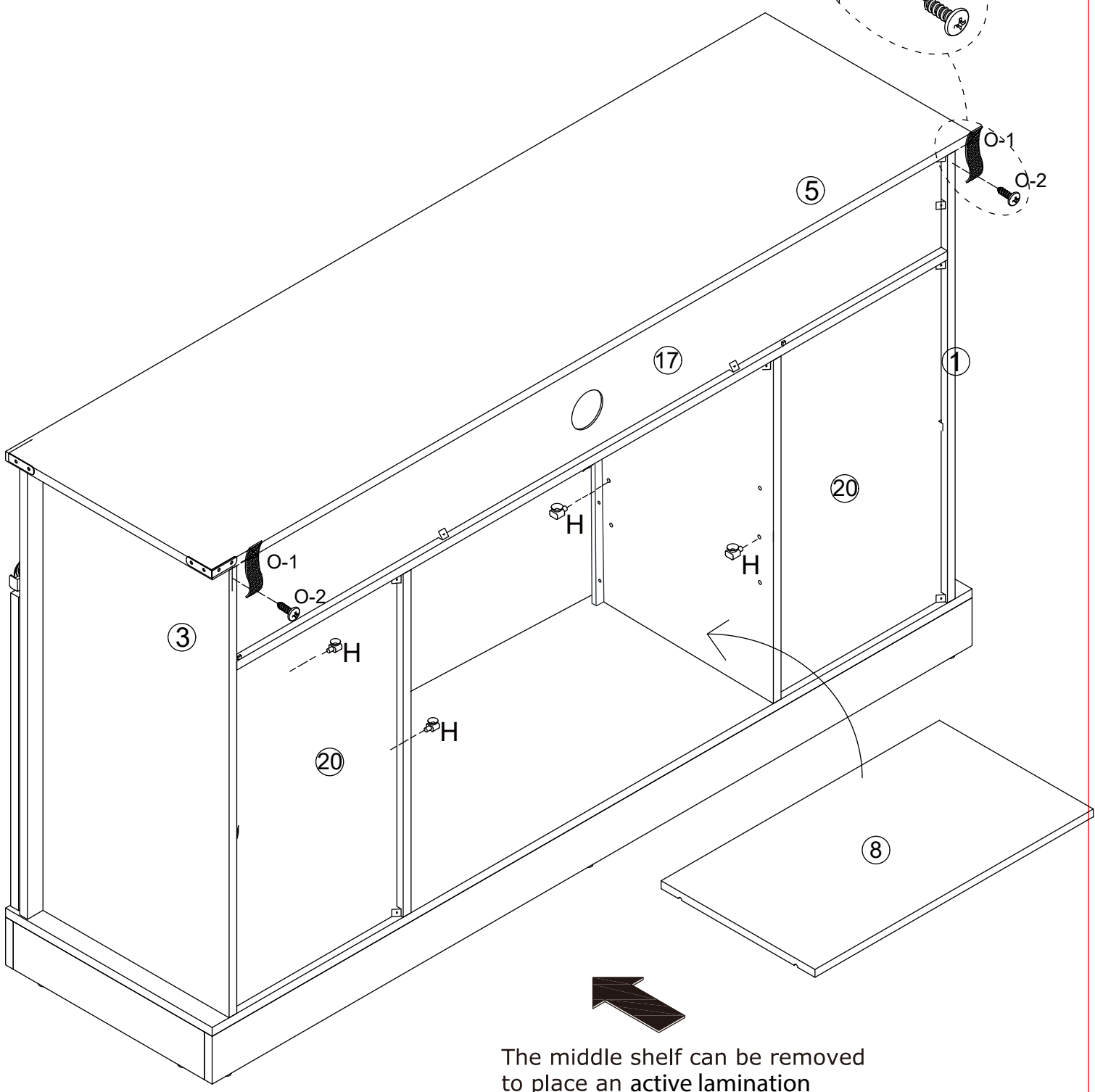
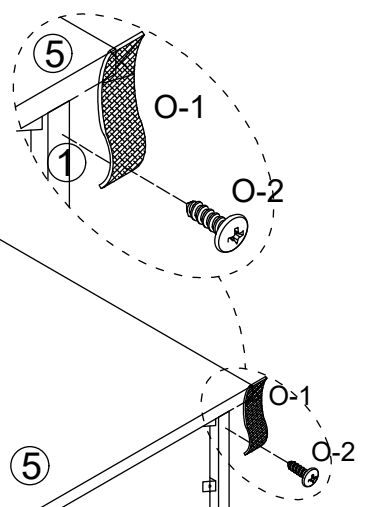


STEP 23



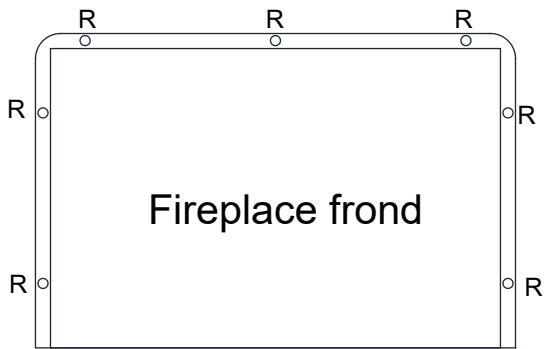
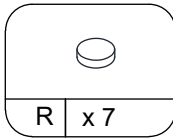
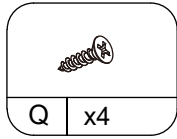
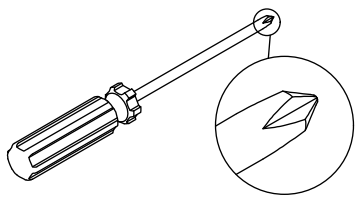
O-1	O-2
O	x2

H	x4
---	----

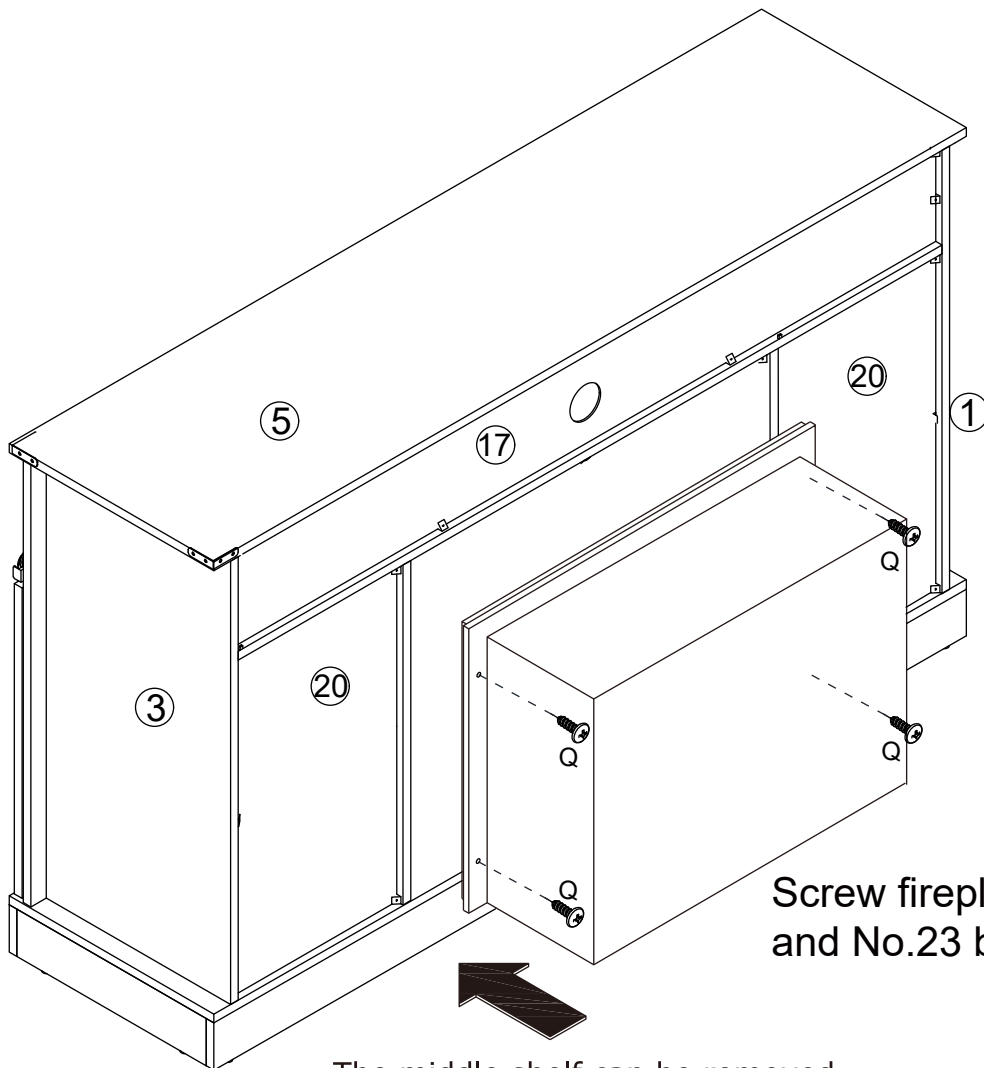


The middle shelf can be removed to place an active lamination

STEP 24



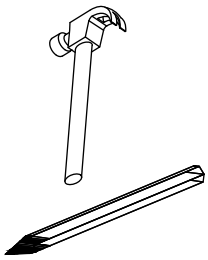
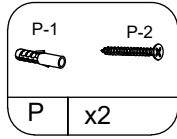
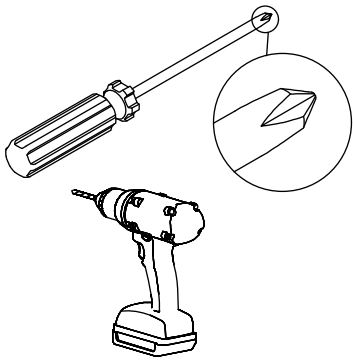
Stick rubber granules on the front of fireplace before put it in.



Screw fireplace to No.22 and No.23 board

The middle shelf can be removed to place an fireplace.

STEP 25



WALL

I x2

WALL +
drilling hole
Ø6x30mm

II x2

WALL

III x2

