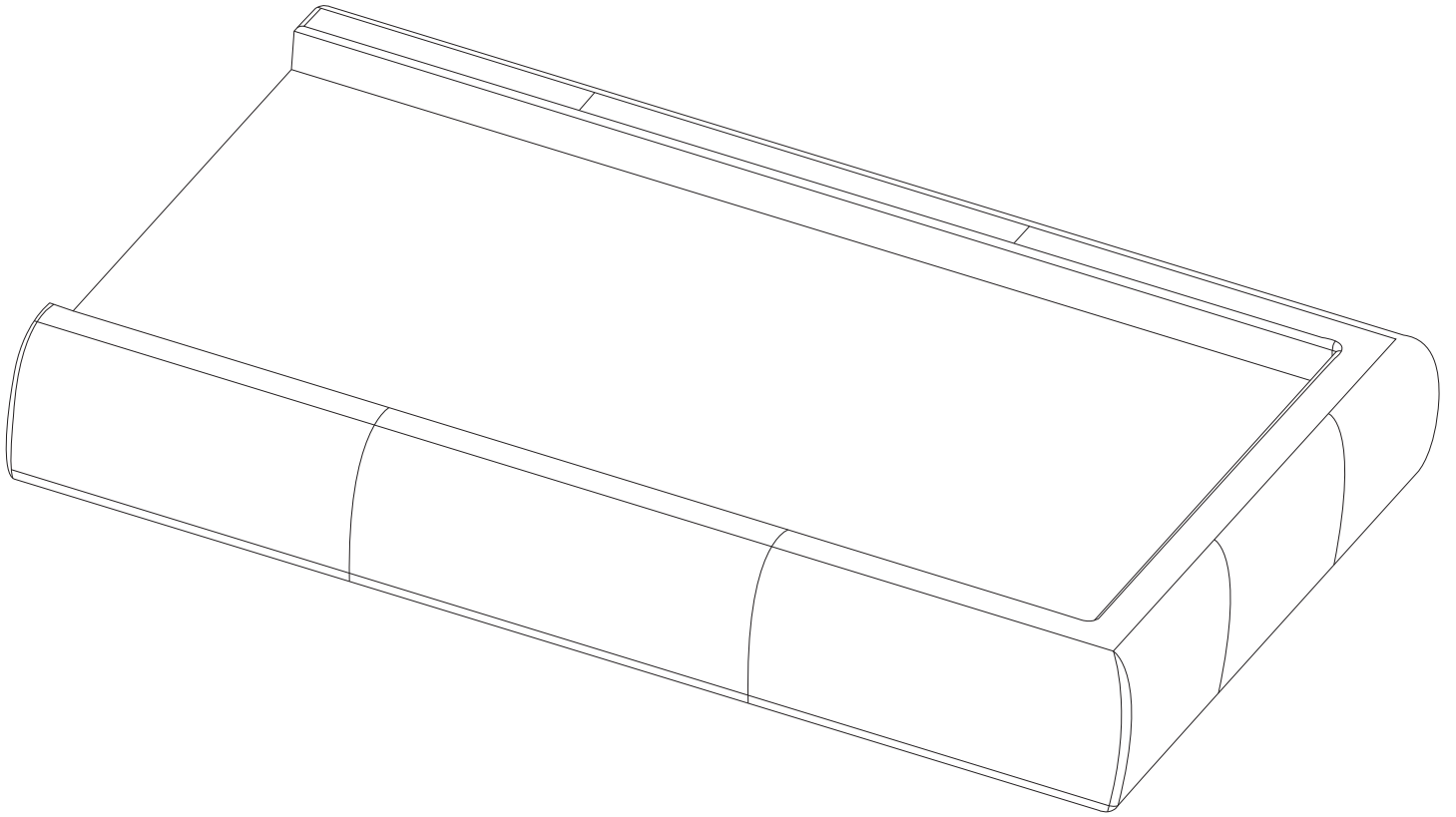


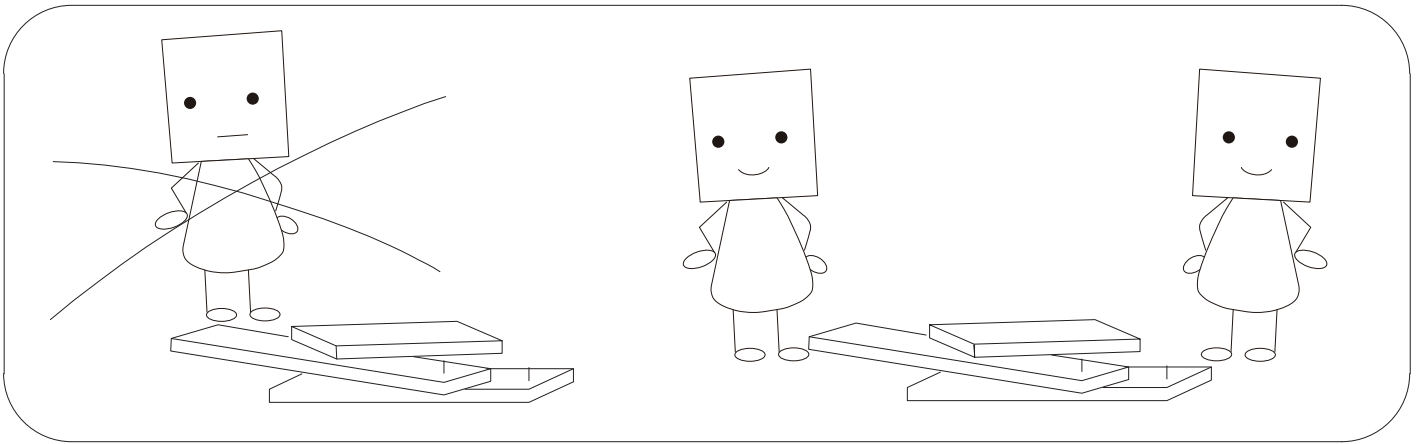
# ASSEMBLY INSTRUCTION



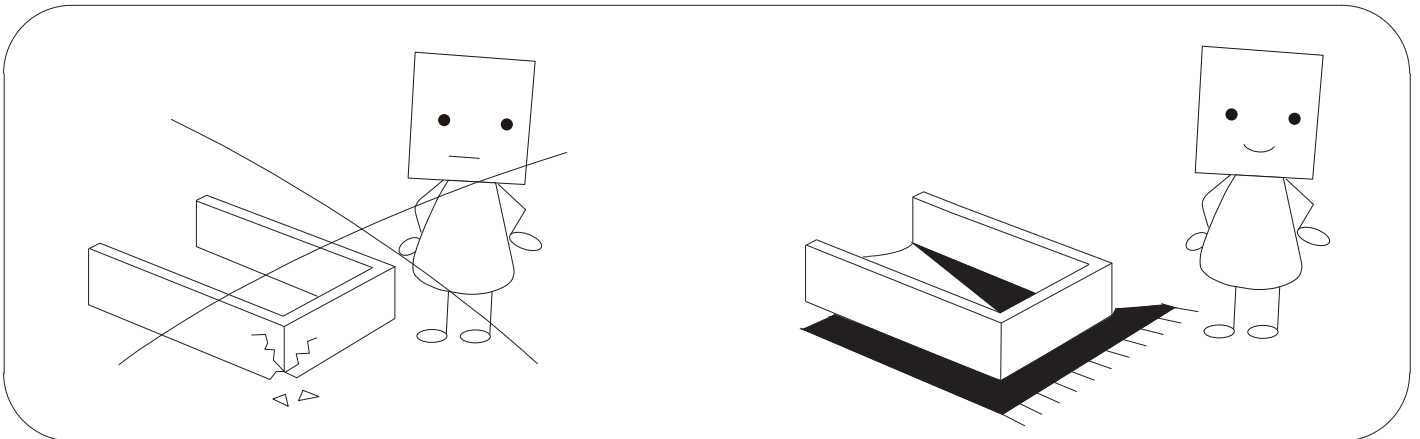


# WARNING

Need Two Or More People To Complete

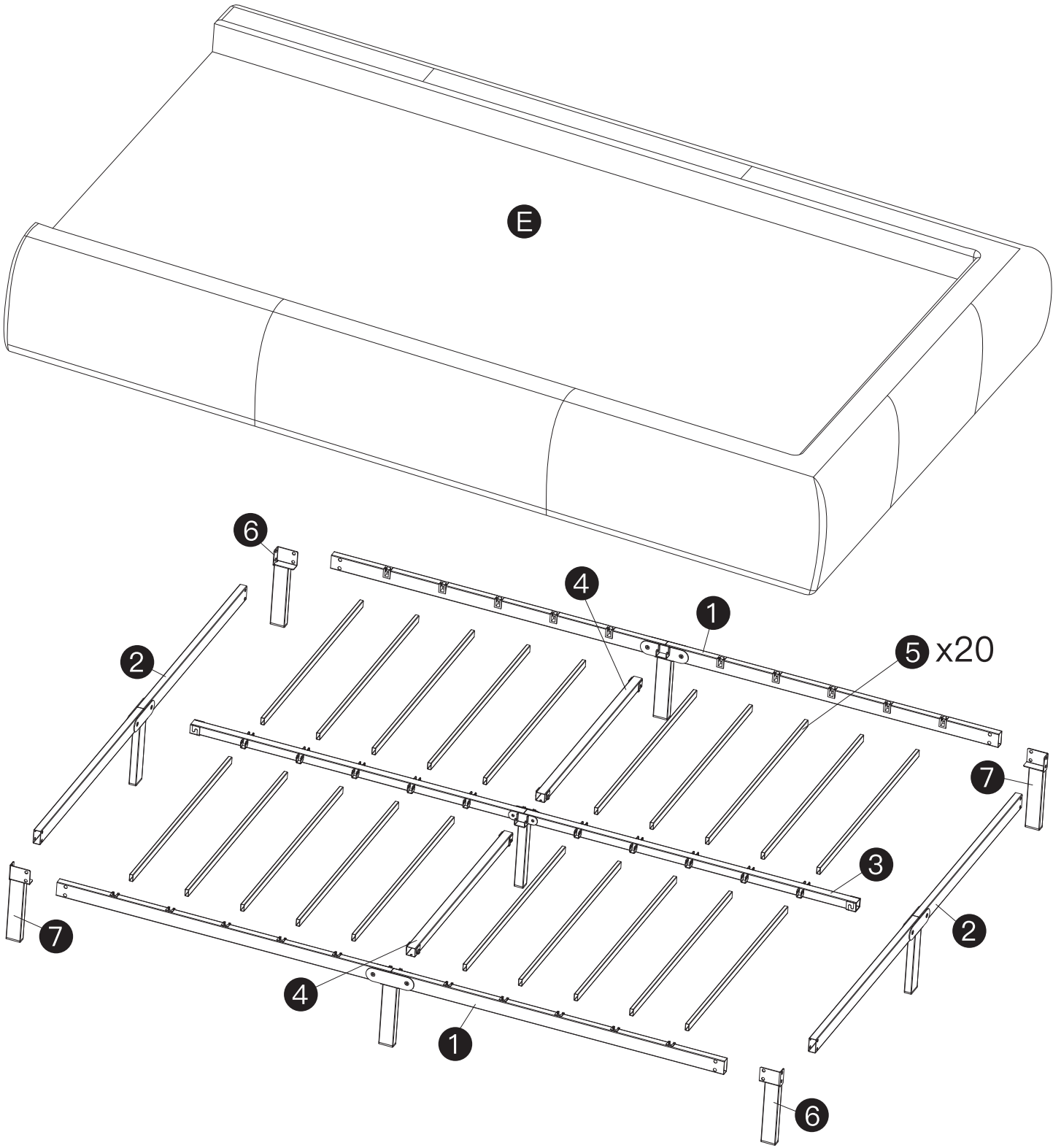


Assemble Item On a Clean Flat Surface



- Please check you have all hardware before assembling.
- Please ensure you have the name of the item and hardware part required and quantity.
- If you have any questions, please contact us by original purchase platform.  
we will reply you ASAP.

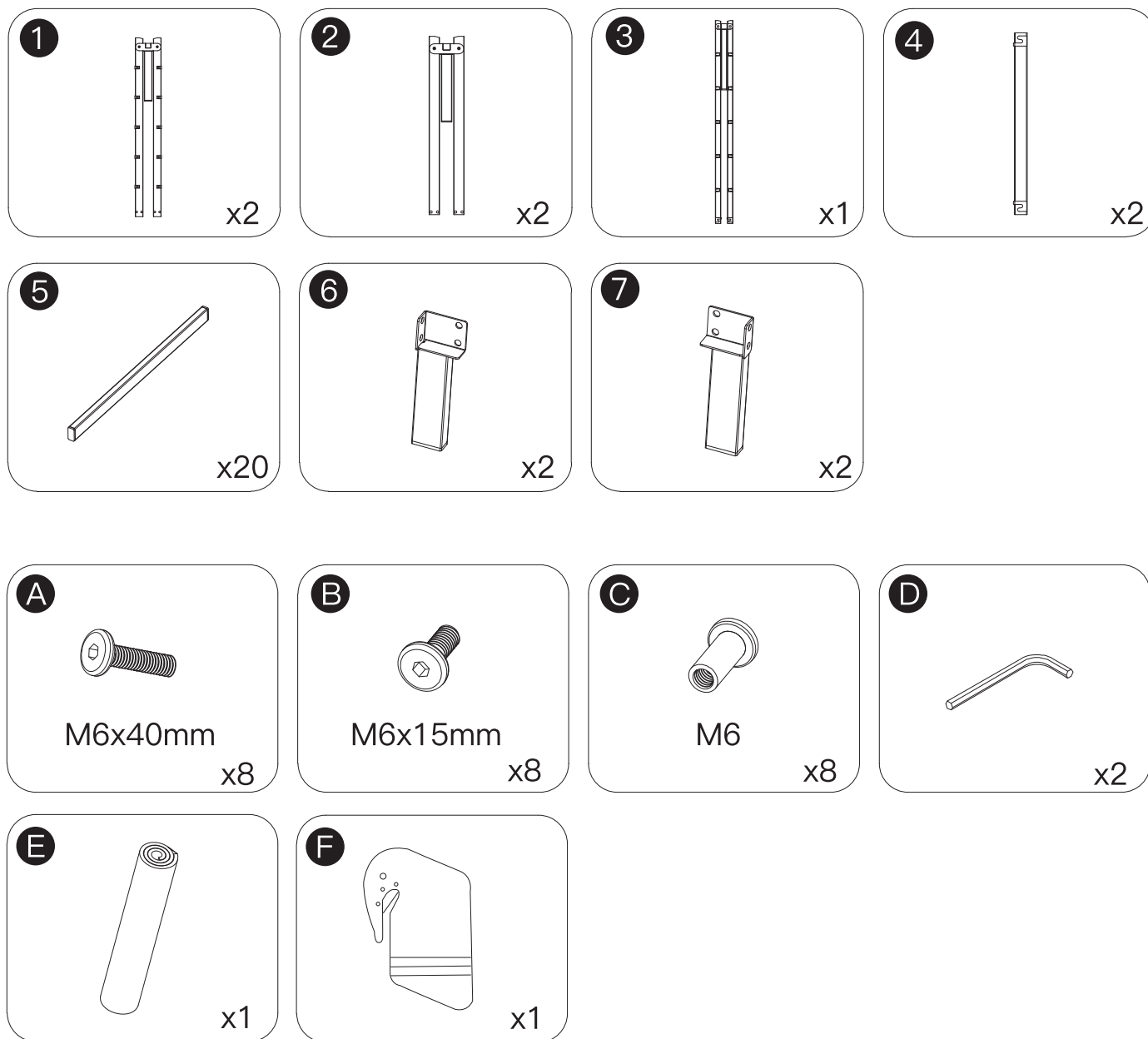
# EXPLODED DRAWING:



Please check all parts and accessories according to the parts list before assembling, make sure all contents are sufficient and in good condition.

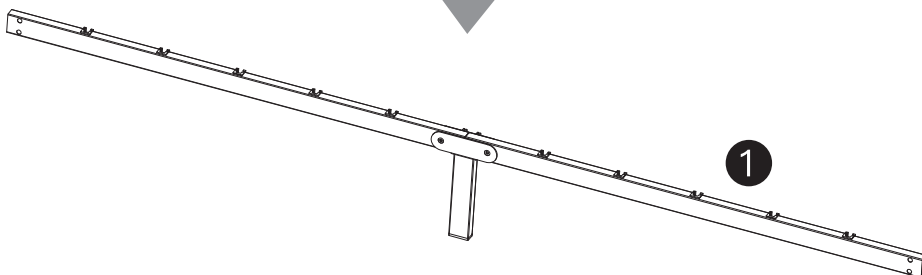
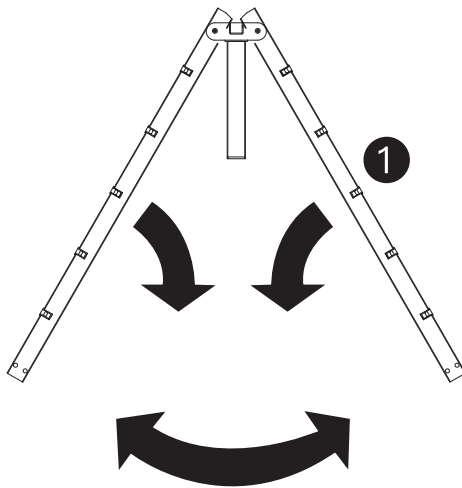
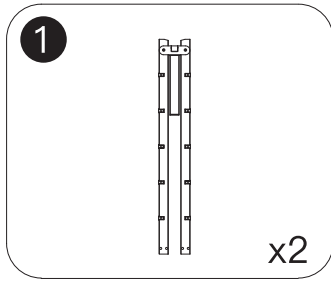
If there is any parts missing or defective, please contact us with purchase platform message immediately to get replacement parts.

## PARTS:



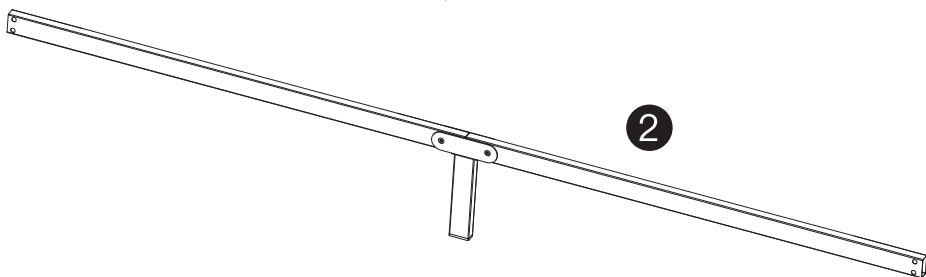
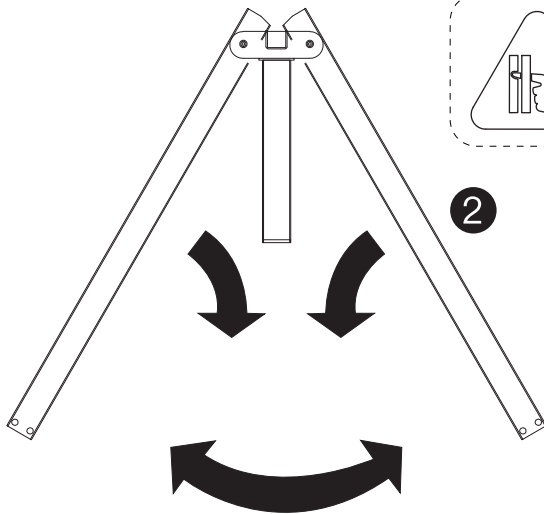
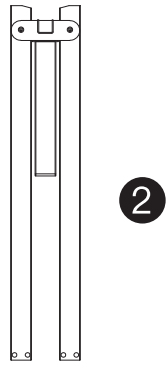
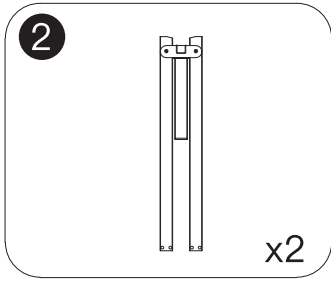
# HOW TO INSTALL

## STEP 1



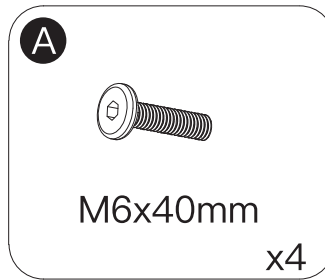
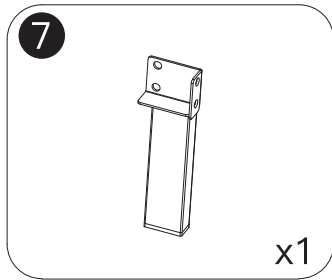
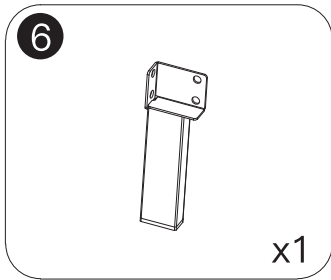
x2

# STEP 2



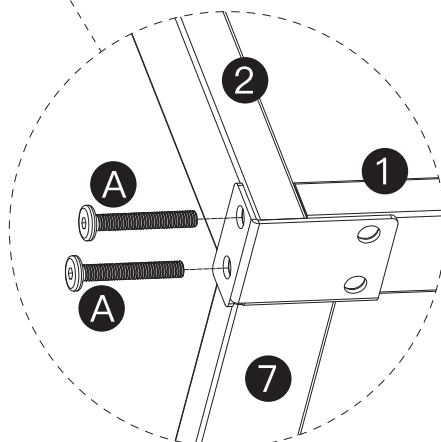
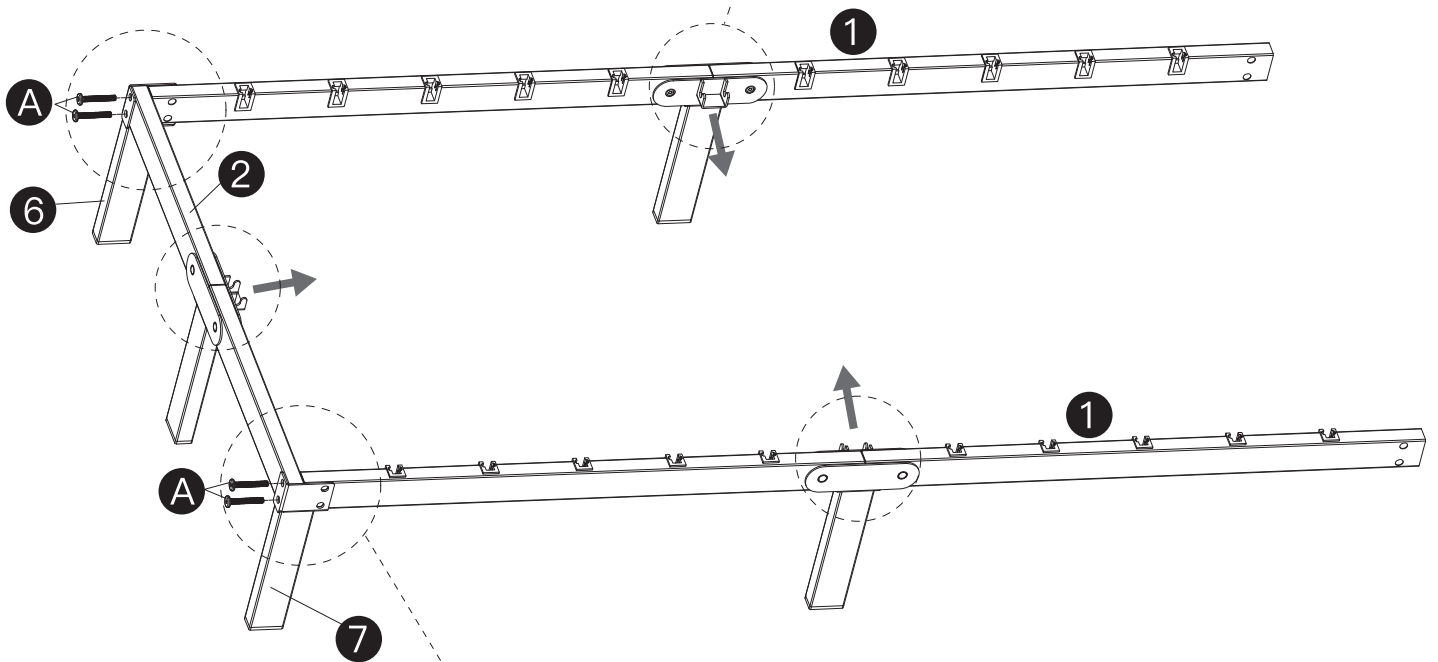
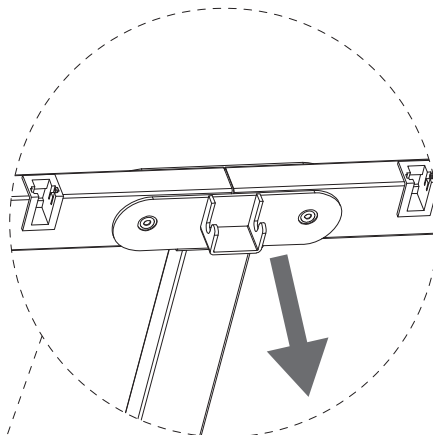
x2

# STEP 3



## NOTICE:

Please ensure that the specific side of part 1 and part 2 faces inside.



## NOTICE:

For easier subsequent assembly please do not tighten screw A.

# STEP 4

**B**



M6x15mm

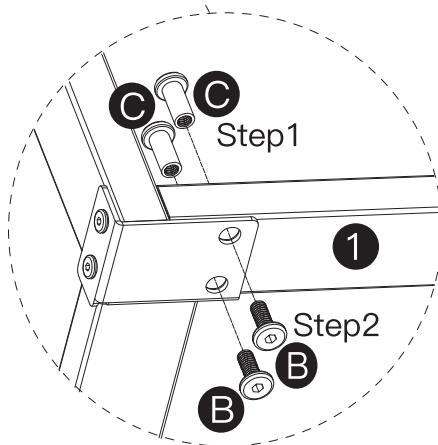
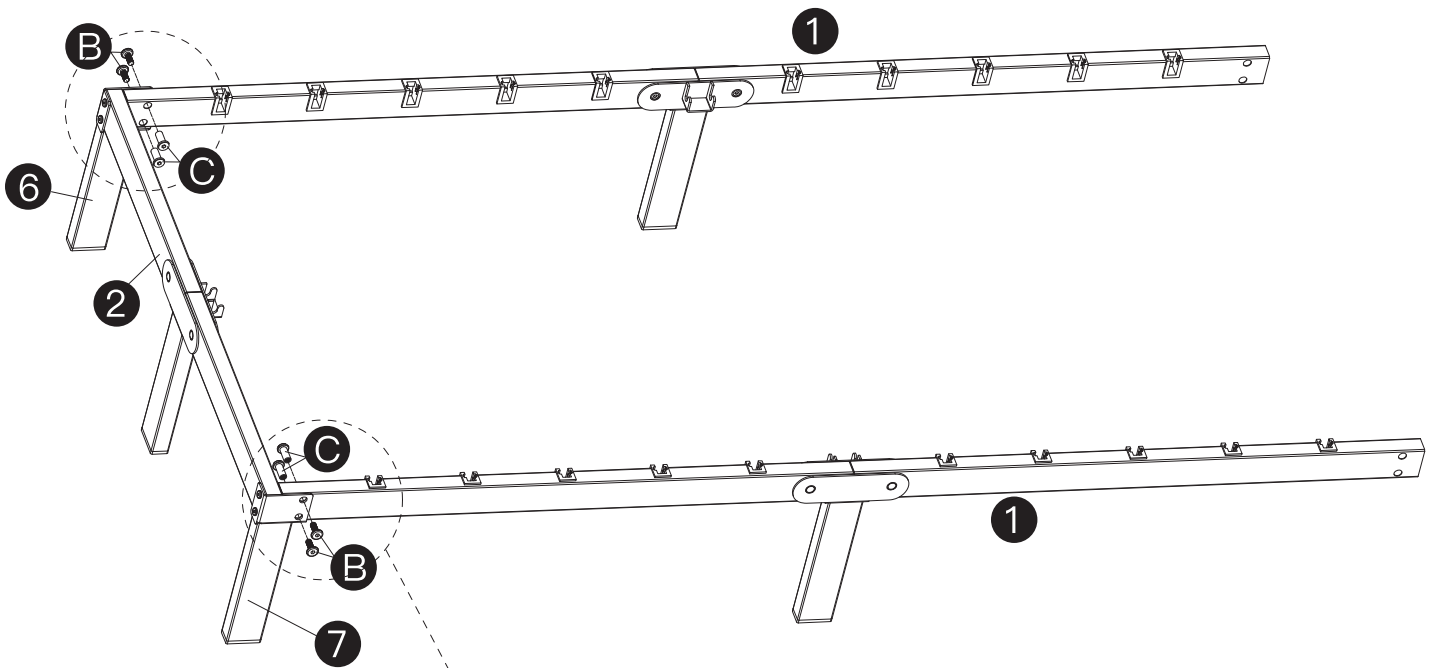
x4

**C**



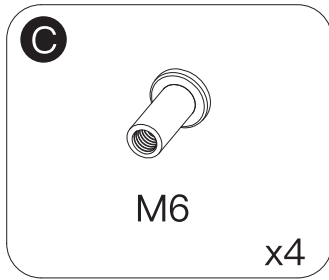
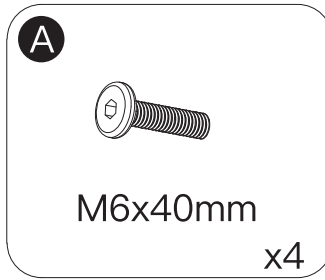
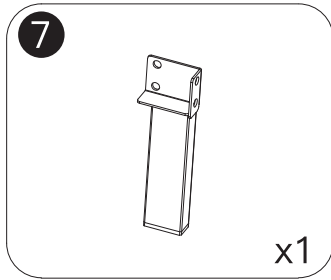
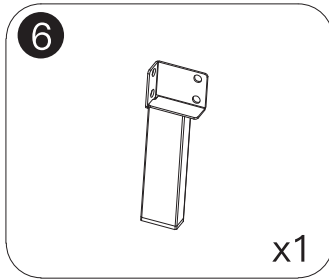
M6

x4



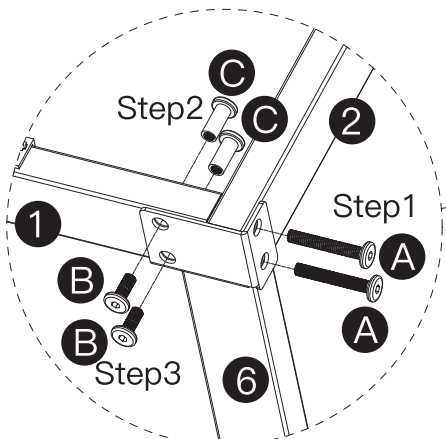
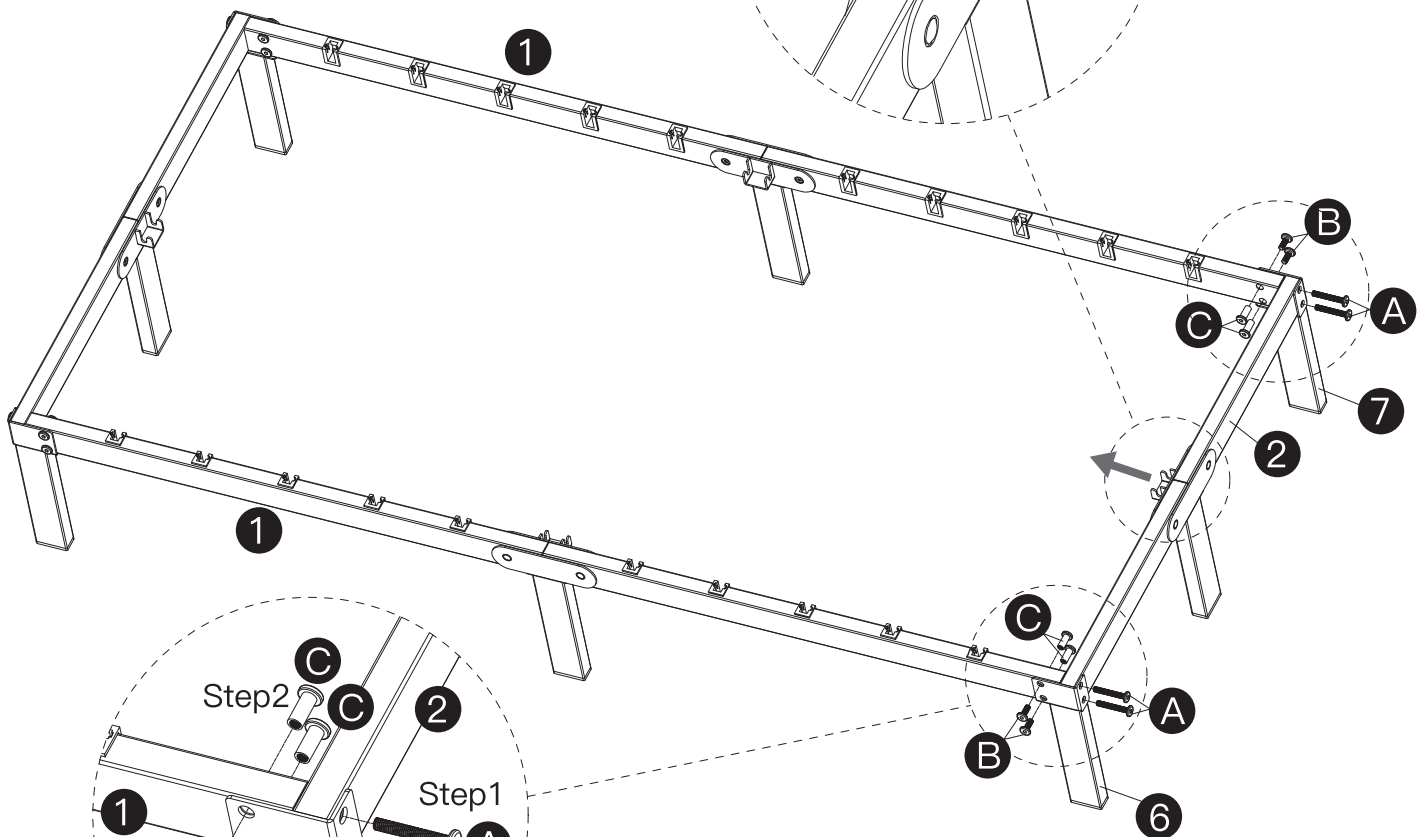
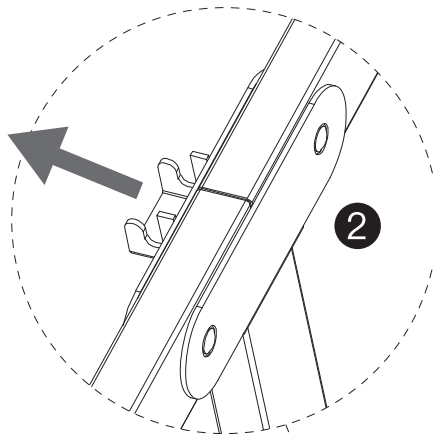
**NOTICE:**  
Please tighten all the screws.

# STEP 5



## NOTICE:

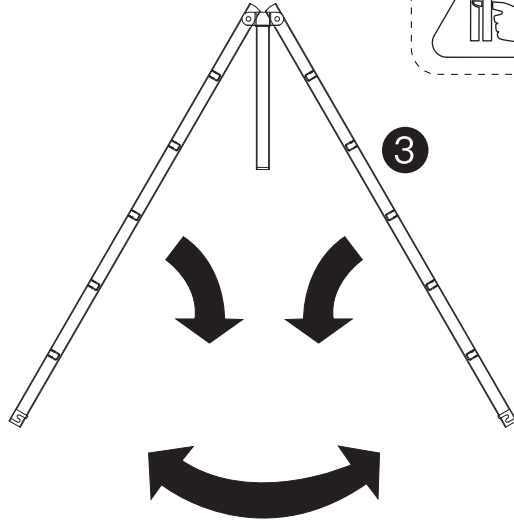
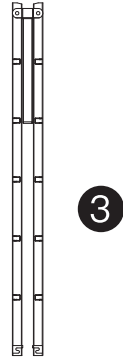
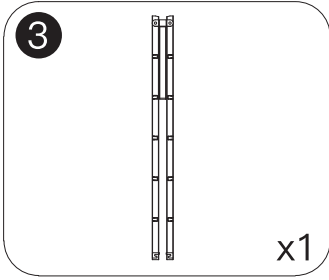
Please ensure that the specific side of part 2 faces inside.



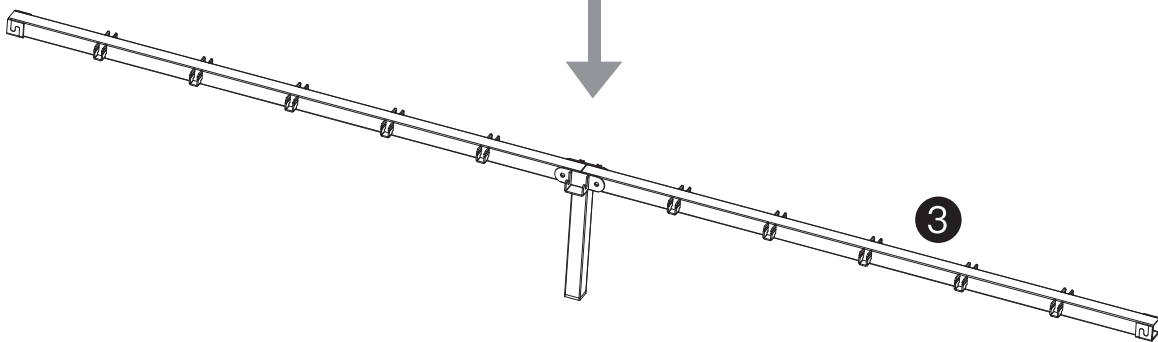
## NOTICE:

Please tighten all the screws.

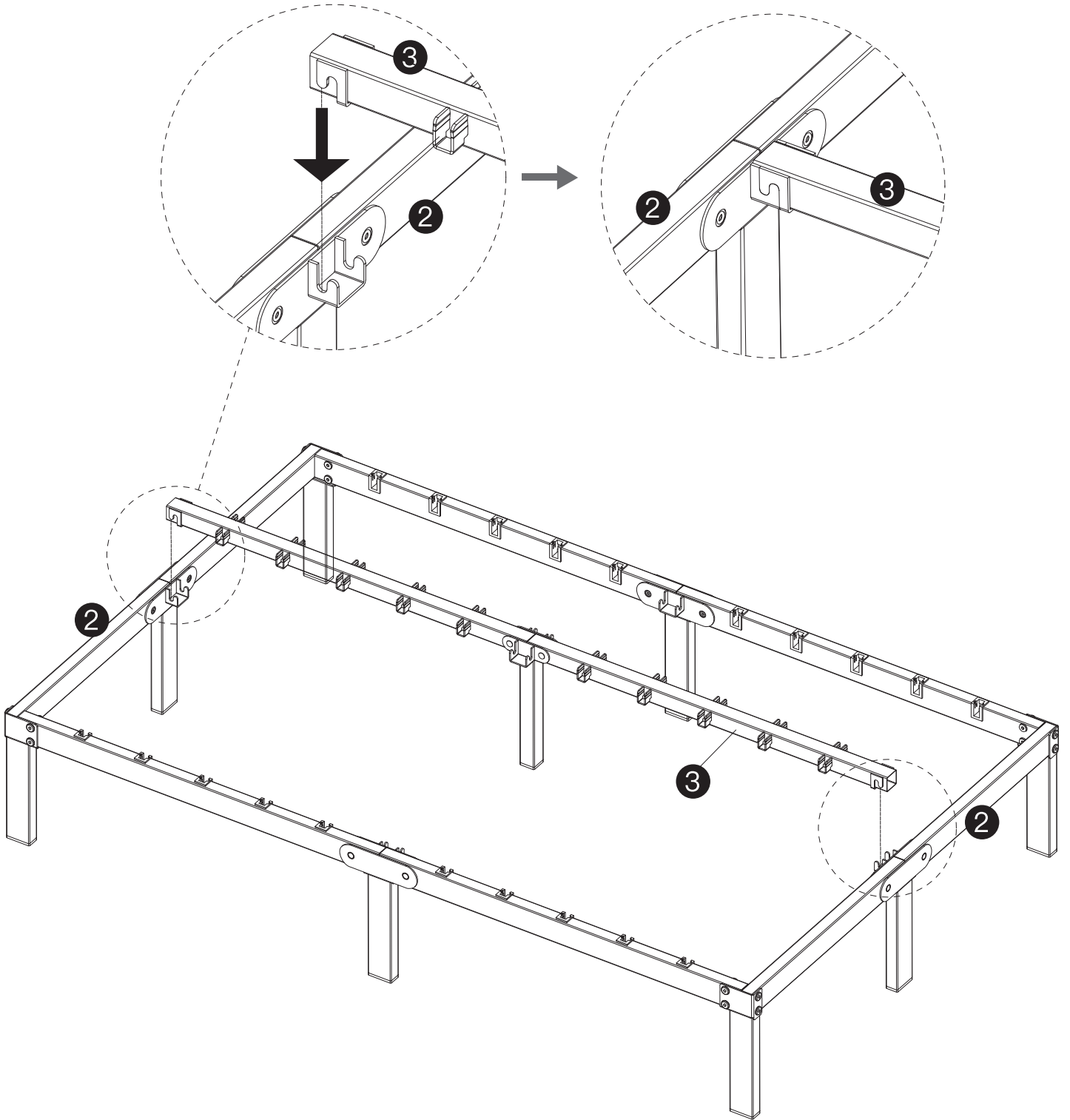
# STEP 6



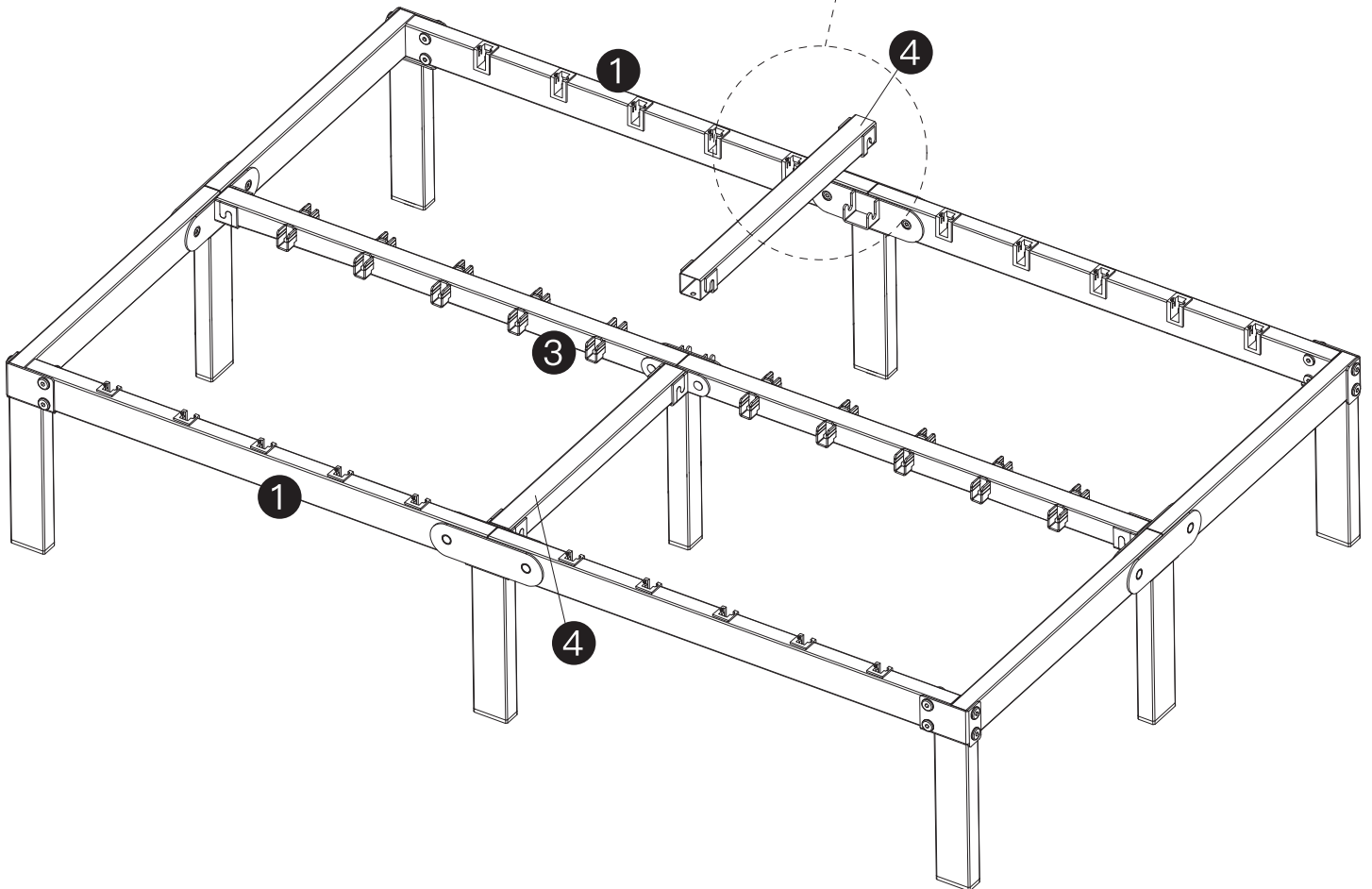
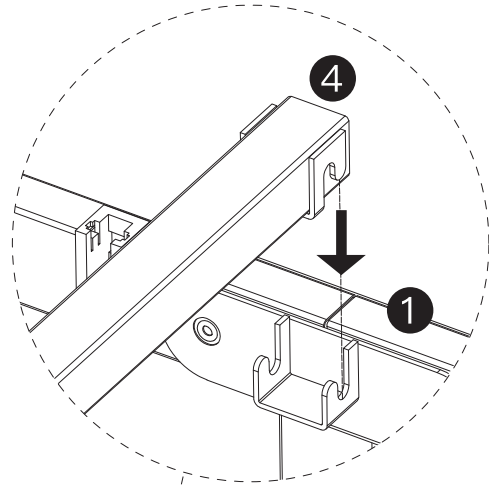
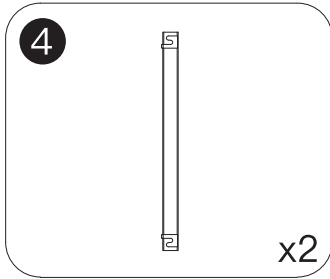
 **NOTICE:**  
warning hands pinching



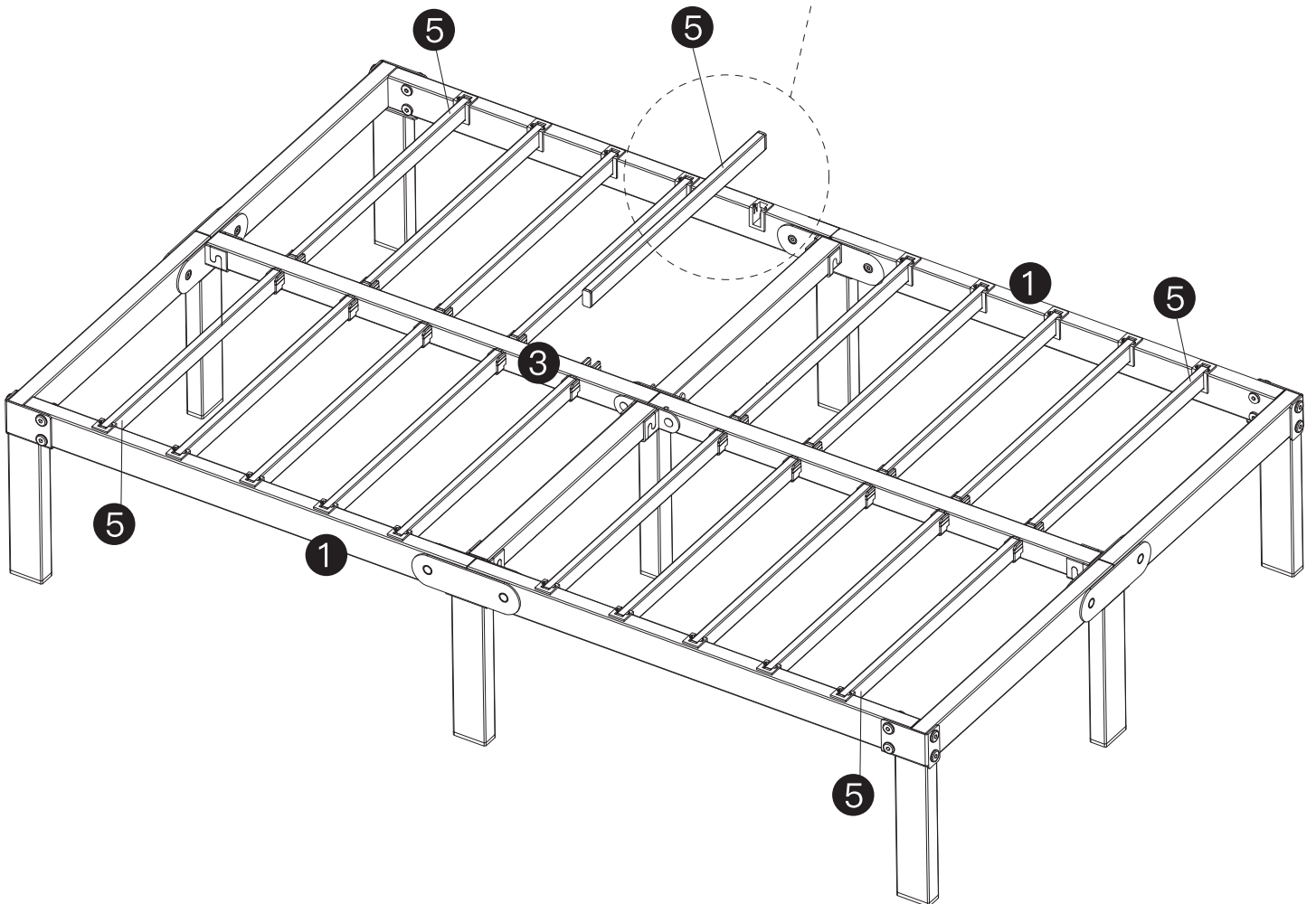
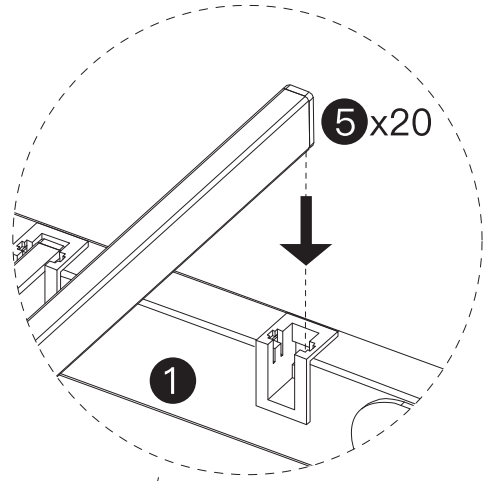
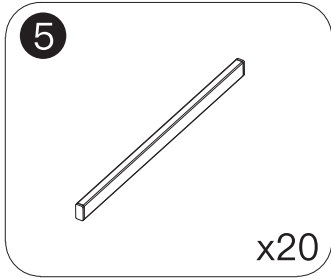
# STEP 7



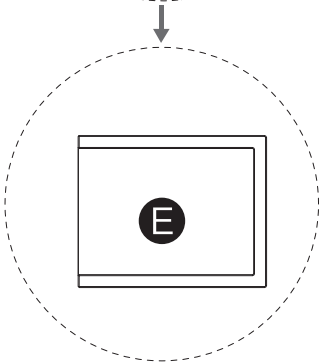
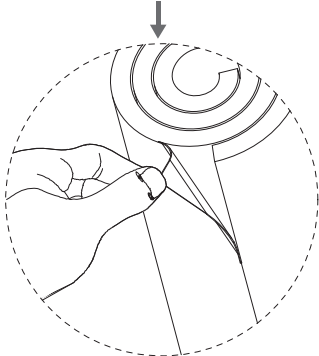
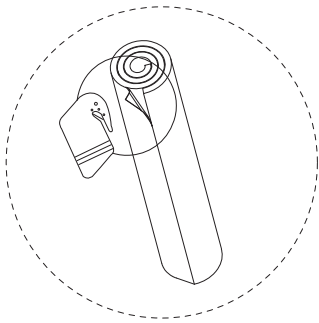
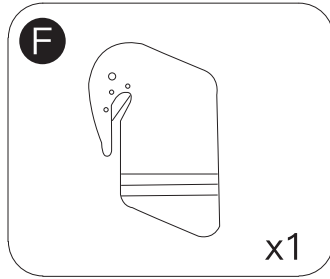
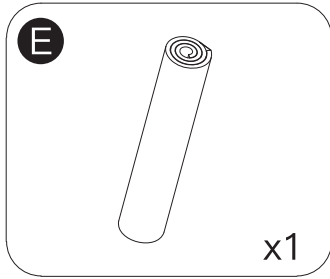
# STEP 8



# STEP 9



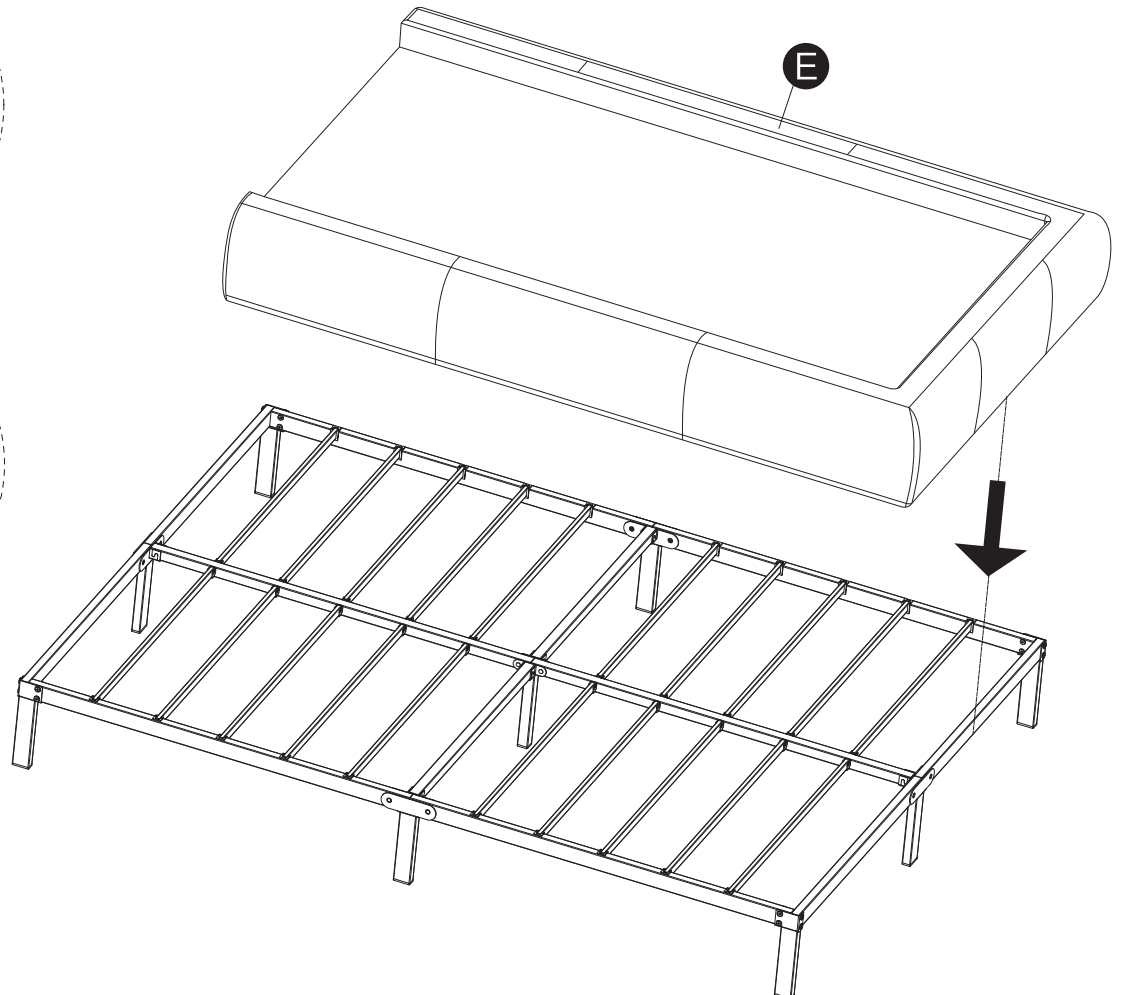
# STEP 10



## NOTICE:

(1) When cutting it open with a knife, please be careful not to damage the product.

(2) The general expansion time is about 24 hours.



## After-Sale Support

**Dear Customer,**

Thank you for choosing to purchase our products! We attach great importance to your shopping experience and hope to ensure that you are satisfied with this purchase.

Should you have any questions, please contact us through the original purchase platform. We will reply your messages as soon as possible, please kindly wait for the response from our team.

Thank you again for your understanding and support! If you have any other questions, please feel free to contact us at any time.

Best Regards,  
After sales service team