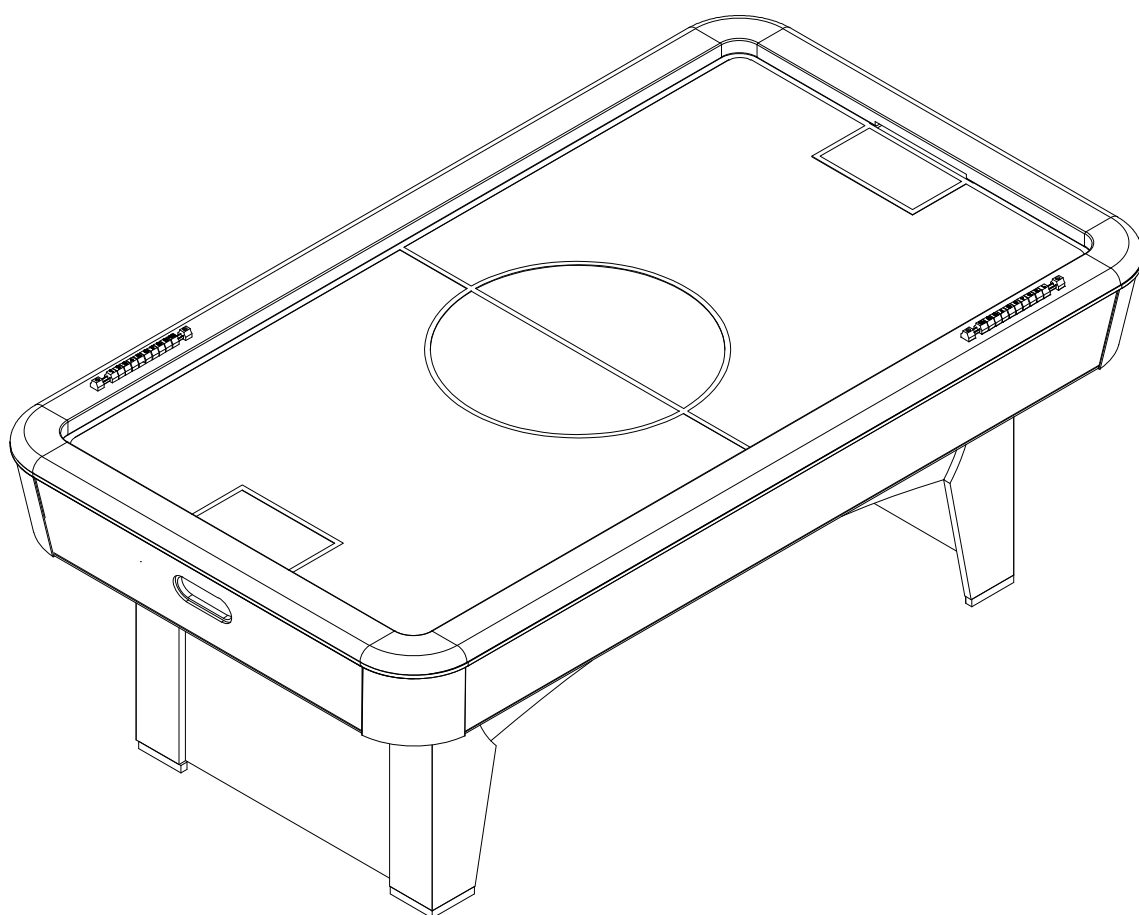




Astro Air Hockey Table Assembly Instruction





Congratulations!

We hope you will have many hours of enjoyable use with your new Jensen Air Hockey Table!



Warning
Adult Assembly Required
Asamblea de adultos de advertencia necesaria



PLEASE KEEP YOUR INSTRUCTIONS!

- Your Model number is necessary should you need to contact us.
- Please read through this instruction book to familiarize yourself with all the parts and assembly steps.
- Refer to the Parts Identifier and verify that all parts have been included.



WARNING!

This is not a child's toy. Adult supervision is required for children playing this game. Please read instructions carefully. Proper use of this set can avoid damage or injury.



BEFORE ASSEMBLY:

- Did you receive 1 box?
- Did you inspect your playfield/main table frame before assembly? It is not replaceable and must be returned to the original place of purchase if damaged.



TOOLS REQUIRED FOR ASSEMBLY:

- Phillips and Slotted Head Screwdrivers /or Power Driver (not included)
- Allen Wrench (included)

ASSEMBLY INSTRUCTIONS:

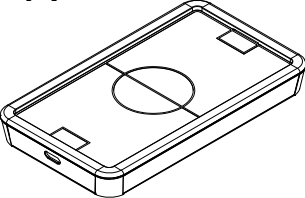


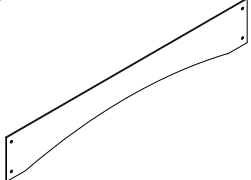
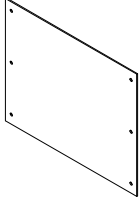
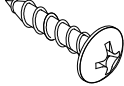
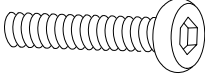
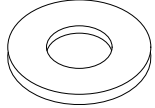
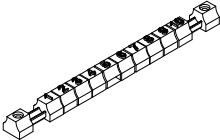
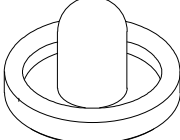
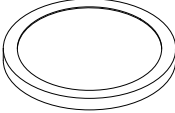
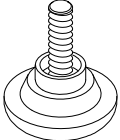
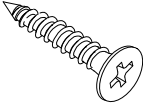
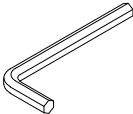
We recommend that two adults work together to assemble this table.

- The table will be assembled upside down This is a very heavy table and turning it right side up will require at least two strong adults.
- We suggest that you use the bottom carton as a clean flat work area to protect the top of your Air hockey table while assembling.



Astro Air Hockey Table Assembly Instruction

Parts List

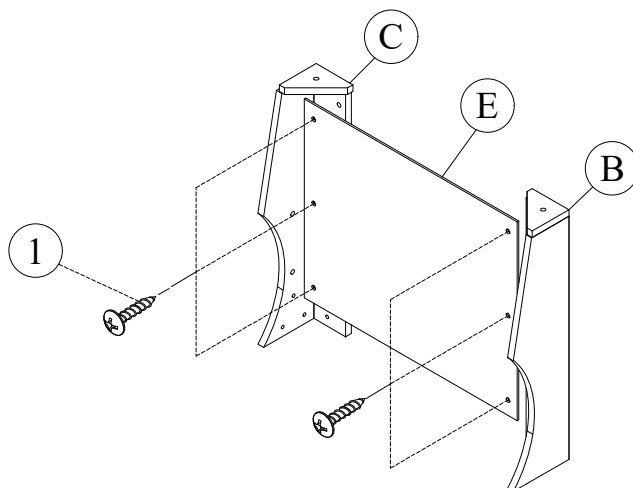
<p>A</p>  <p>Main Frame x1</p>	<p>B</p>  <p>Left Leg x2</p>	<p>C</p>  <p>Right Leg x2</p>	<p>D</p>  <p>Leg Connector x2</p>
<p>E</p>  <p>Leg Panel x2</p>	<p>1</p>  <p>T4 x15mm Screw x20</p>	<p>2</p>  <p>Bolt Ø5/16"x1-1/2" x20</p>	<p>3</p>  <p>Washer Ø5/16"xØ19mm x20</p>
<p>4</p>  <p>Slide Scorer x2</p>	<p>5</p>  <p>Pusher x4</p>	<p>6</p>  <p>Puck x4</p>	<p>7</p>  <p>Leg Leveler Ø5/16" x4</p>
<p>8</p>  <p>#8X1-1/4" Screw x4</p>	<p>9</p>  <p>Allen Wrench 4mm x1</p>		



Astro Air Hockey Table Assembly Instruction

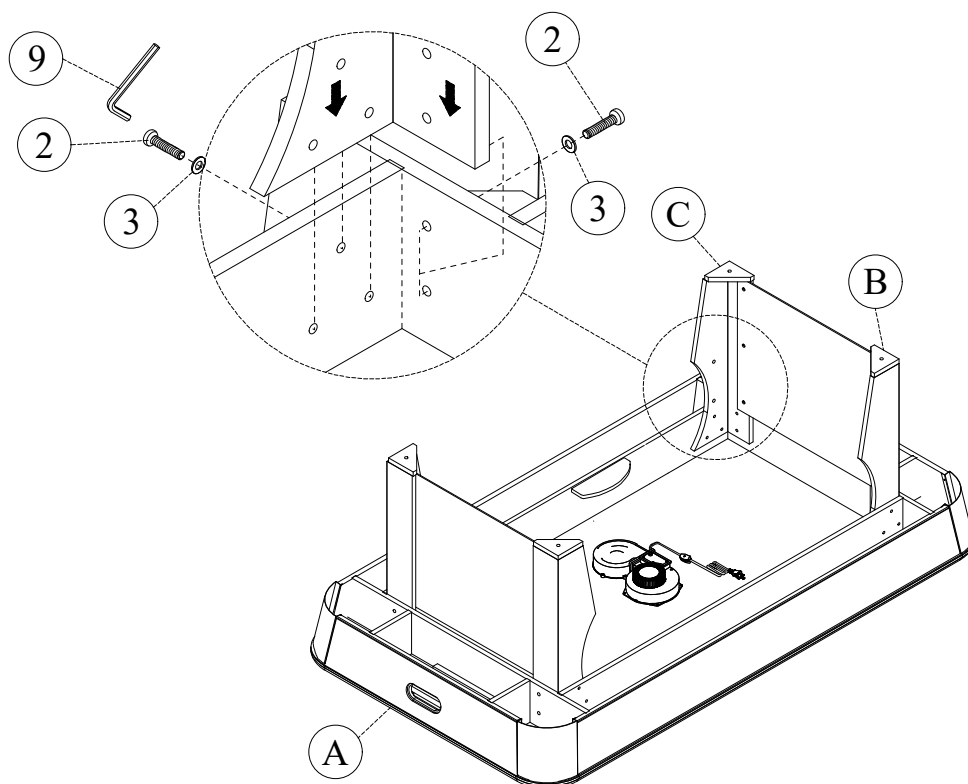
Step 1:

Attach Leg Panel (Part #E) to Left and Right Legs (Part B and C) using T4x15mm Screws (1). Finger tighten until all bolts are in place. Repeat with remaining lrgs and panel.



Step 2:

Attach on Leg/Panel construction to Main Frame (A), using Ø5/16" Bolts (2) and Washer Ø5/16"xØ19mm (3).

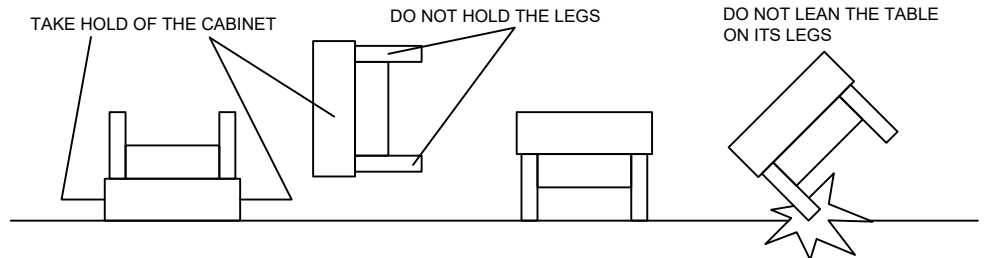
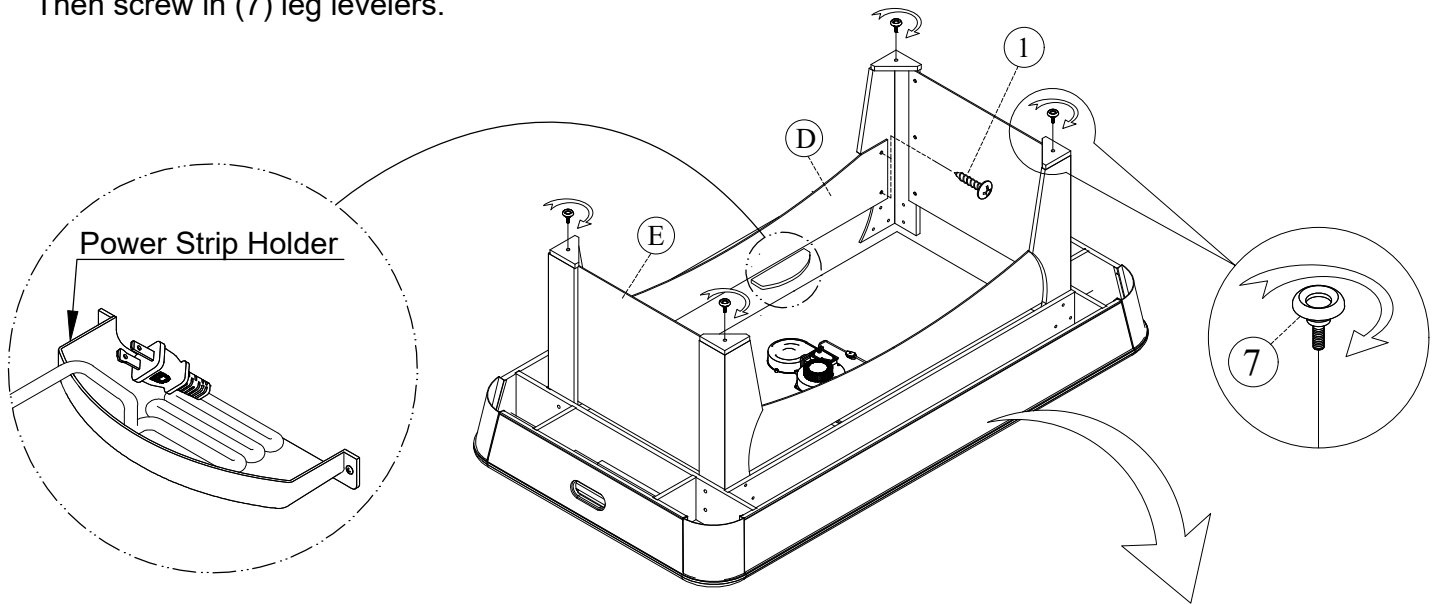




Astro Air Hockey Table Assembly Instruction

Step 3:

Attach on Leg connector (D) to legs as shown, using T4x15mm Screws (1).
Then screw in (7) leg levelers.



Step 4:

Using to strong adults, place the table on its legs.
Attach both slide Scorers (4) to table with 1-1/4" screws (8)

