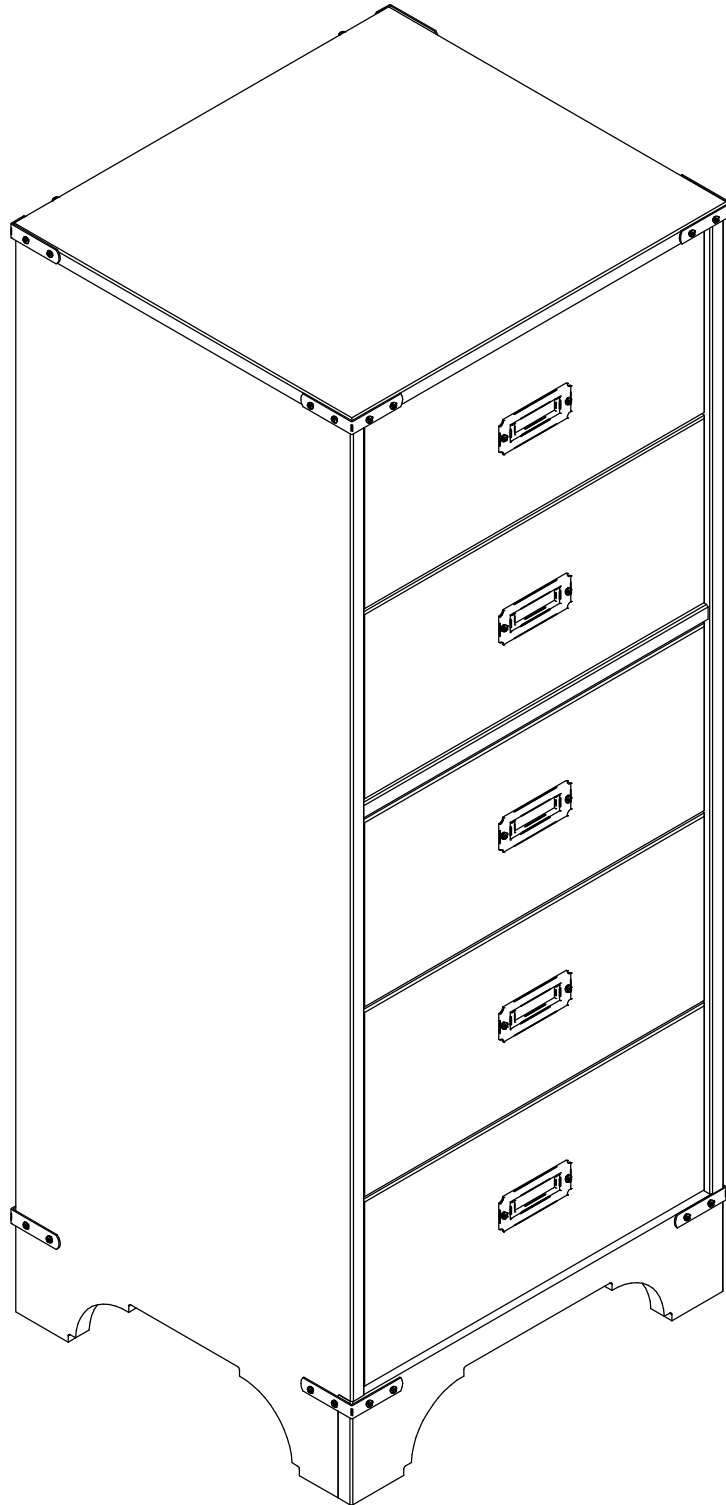
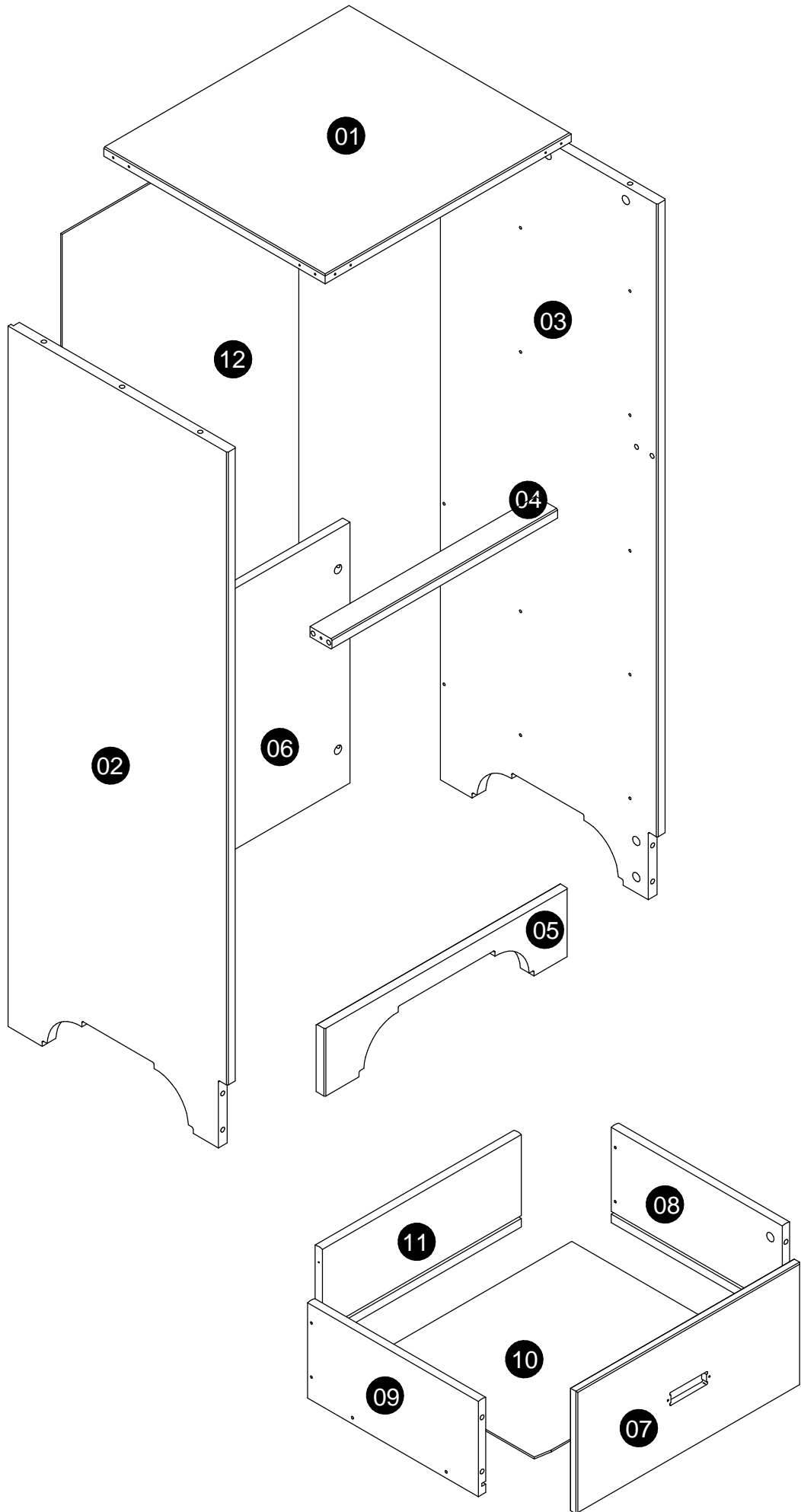
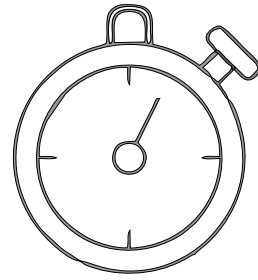
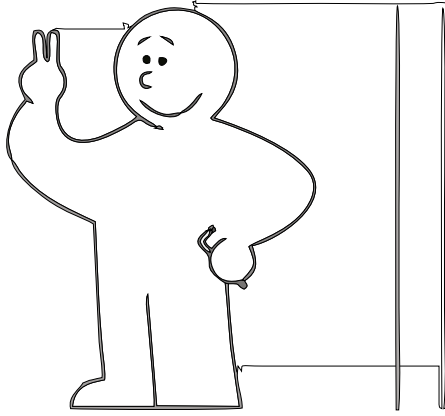
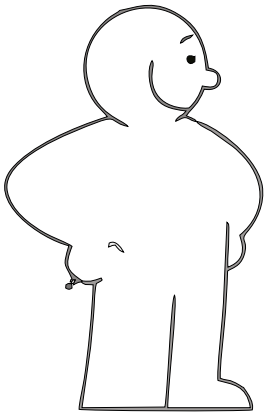


# CAMPAIGN 5 DRAWER NARROW CHEST

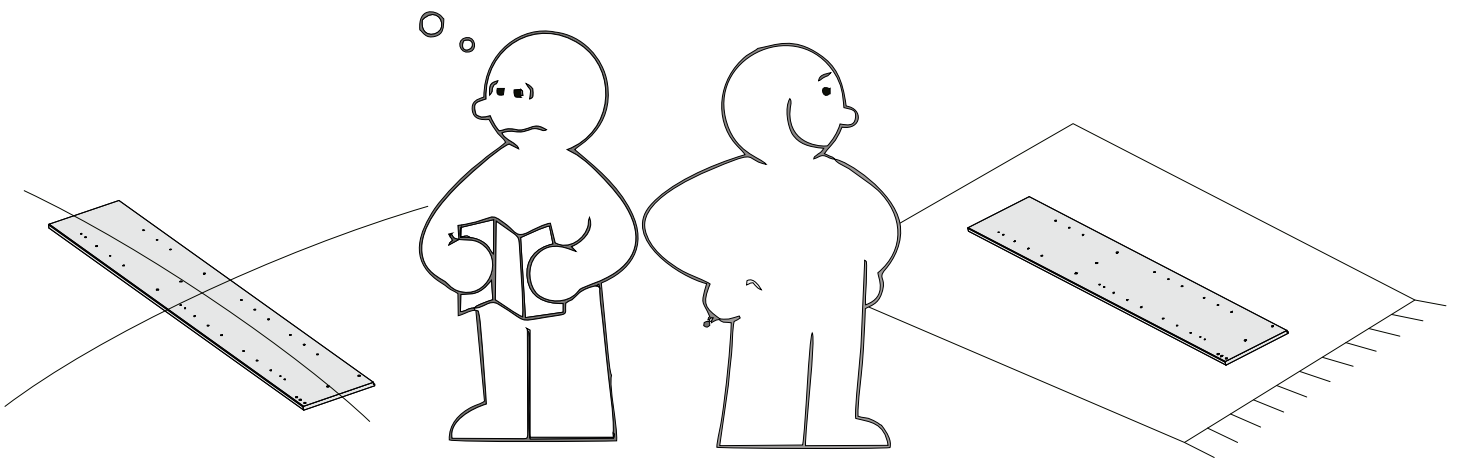




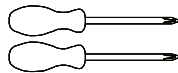
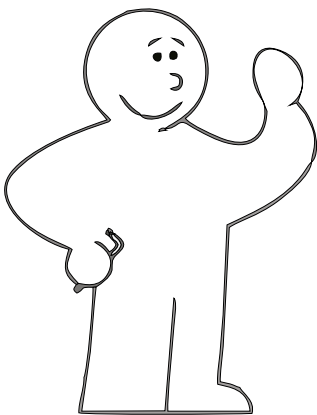
(5x)



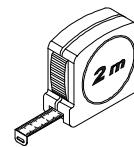
**40 Min**



### Tools required



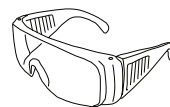
Phillips screwdriver  
(medium & large)



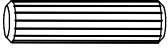




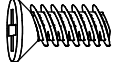
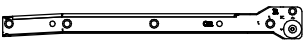
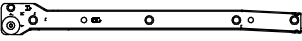
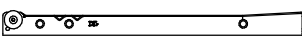
Ruler/tape  
measure




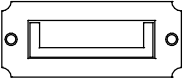
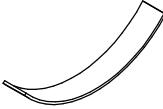

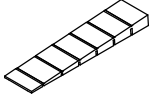
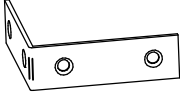
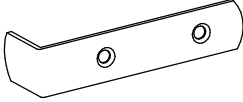


Small  
hammer

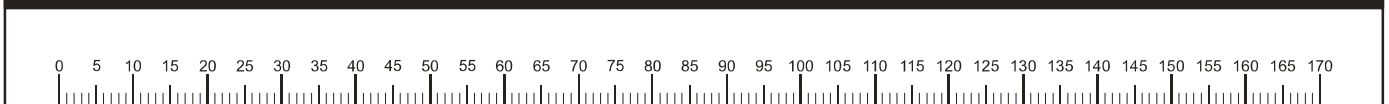


Eye protection  
(when using a  
hammer or glue)

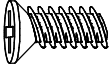
<b>A</b>	 Ø8X30mm	04
<b>B</b>		34
<b>C</b>		34
<b>D</b>	 Ø3,5x30mm	22
<b>E</b>		20
<b>F</b>	 Ø6,0x10mm	40
<b>G</b>		5
<b>H</b>		5
<b>I</b>		5


<b>J</b>		5
<b>K</b>	 Ø3,0x12mm	34
<b>L</b>	 Ø3,5x16mm	2
<b>M</b>		5
<b>N</b>		2
<b>O</b>		2
<b>P</b>		3
<b>Q</b>		4
<b>R</b>		4


Ruler - Use this ruler to help correctly identify the screws

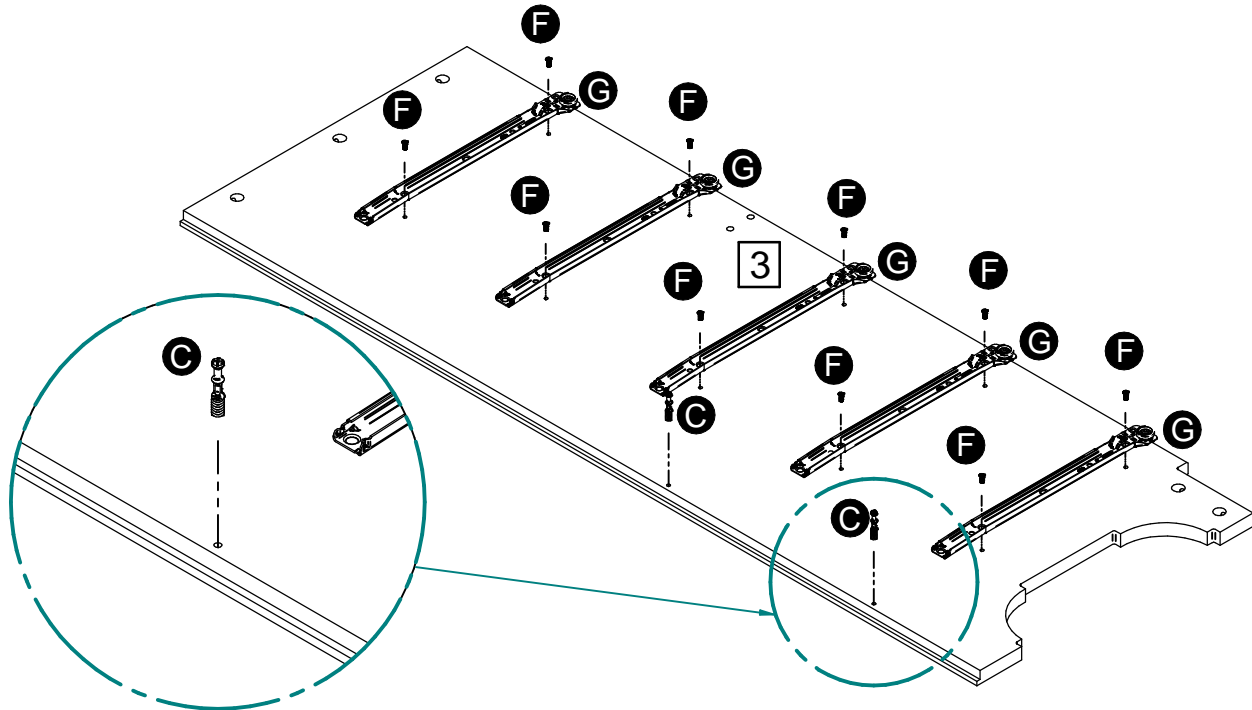
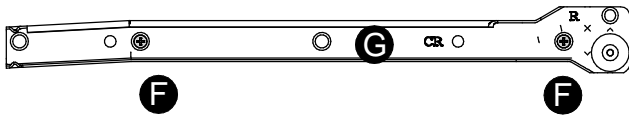


# 1

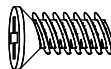
**F**  6,0X10mm Screw x 10

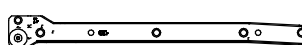
**G**  Right runner for painel x 05


**C**  Metal dowel x 2

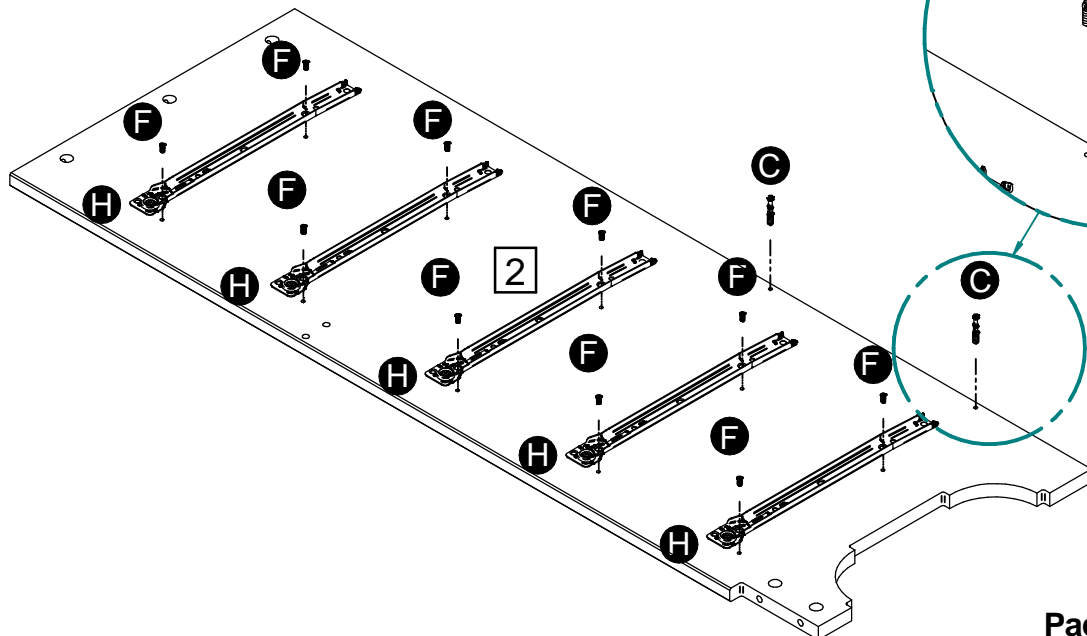
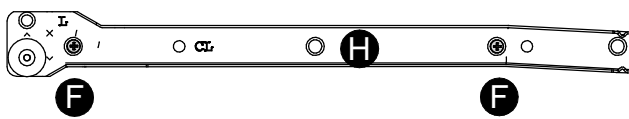


# 2

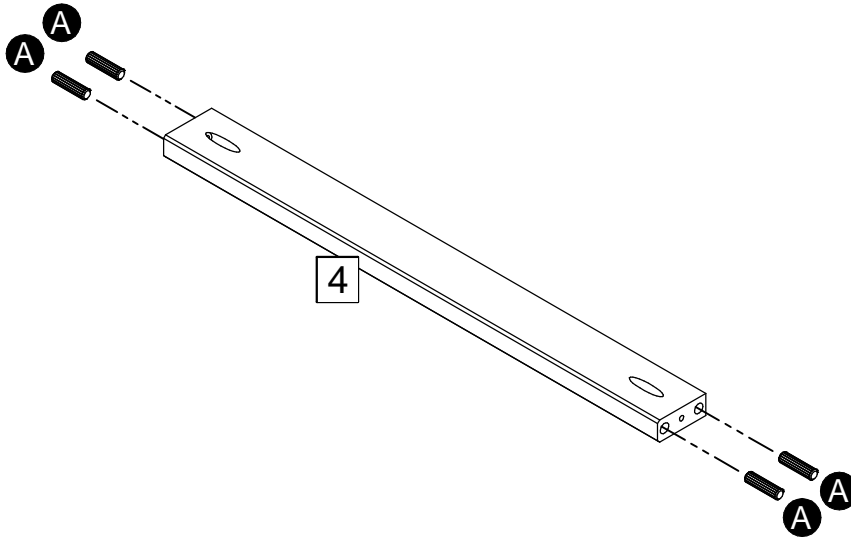
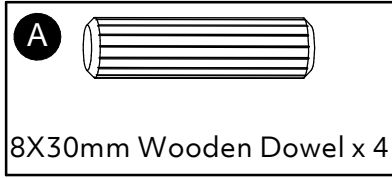
**F**  6,0X10mm Screw x 10

**H**  Left runner for painel x 05

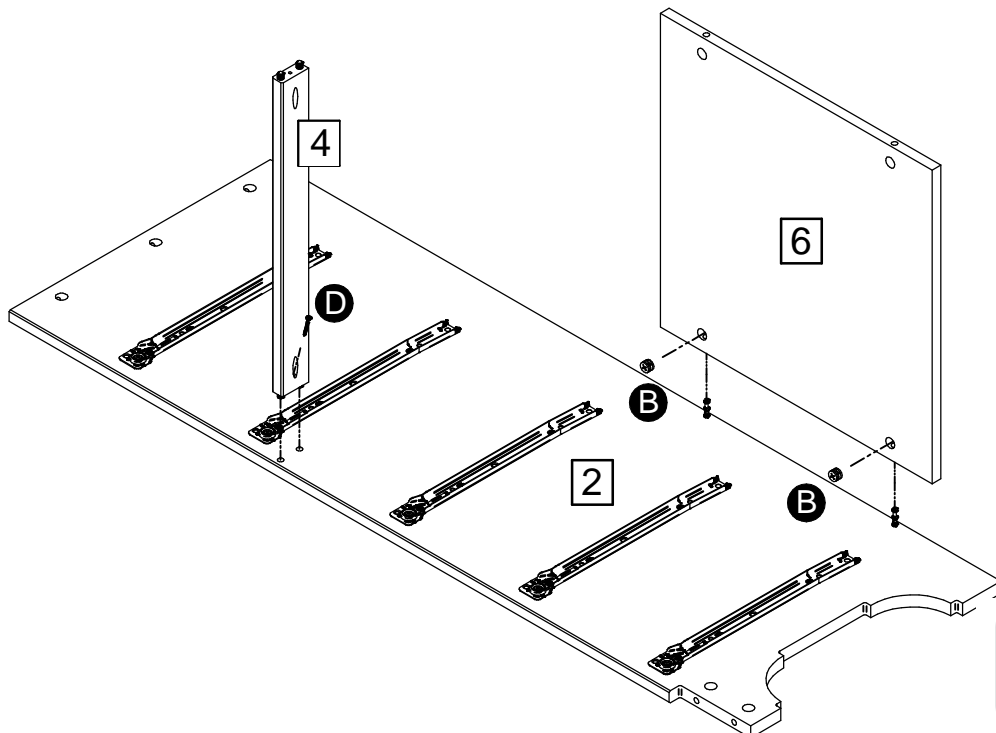
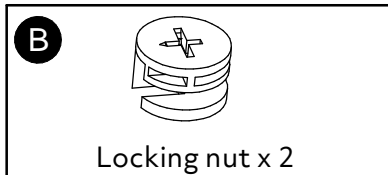
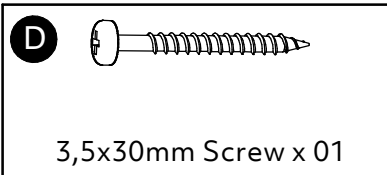
**C**  Metal dowel x 2



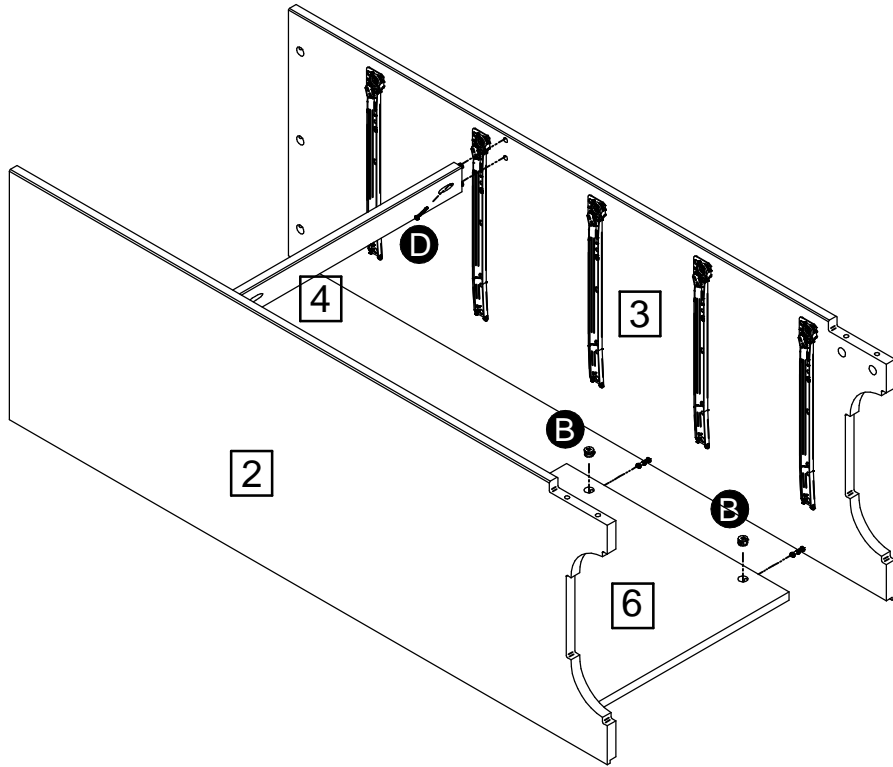
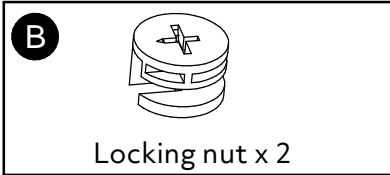
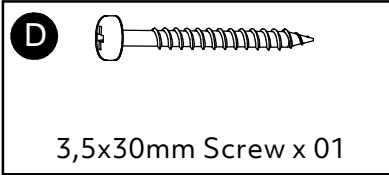
# 3



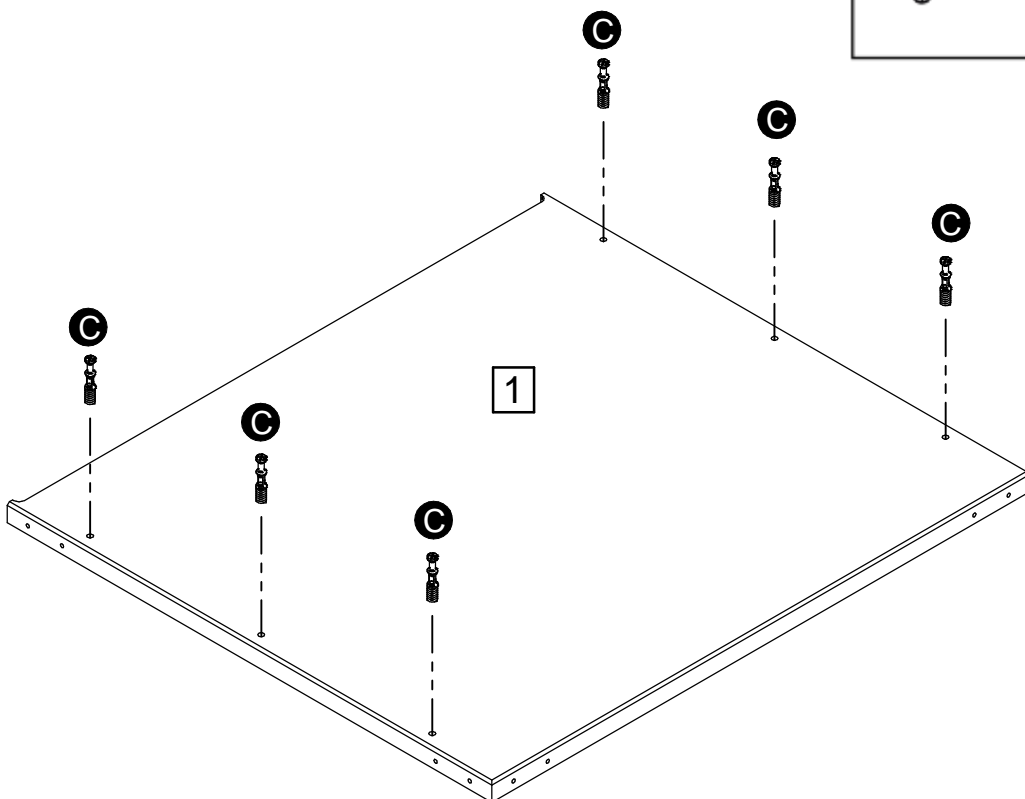
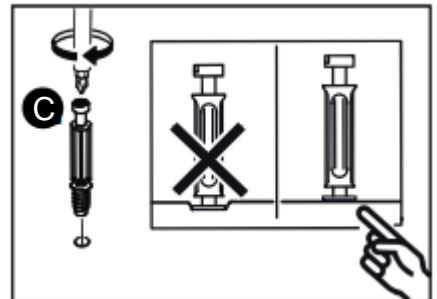
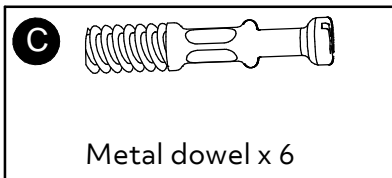
# 4



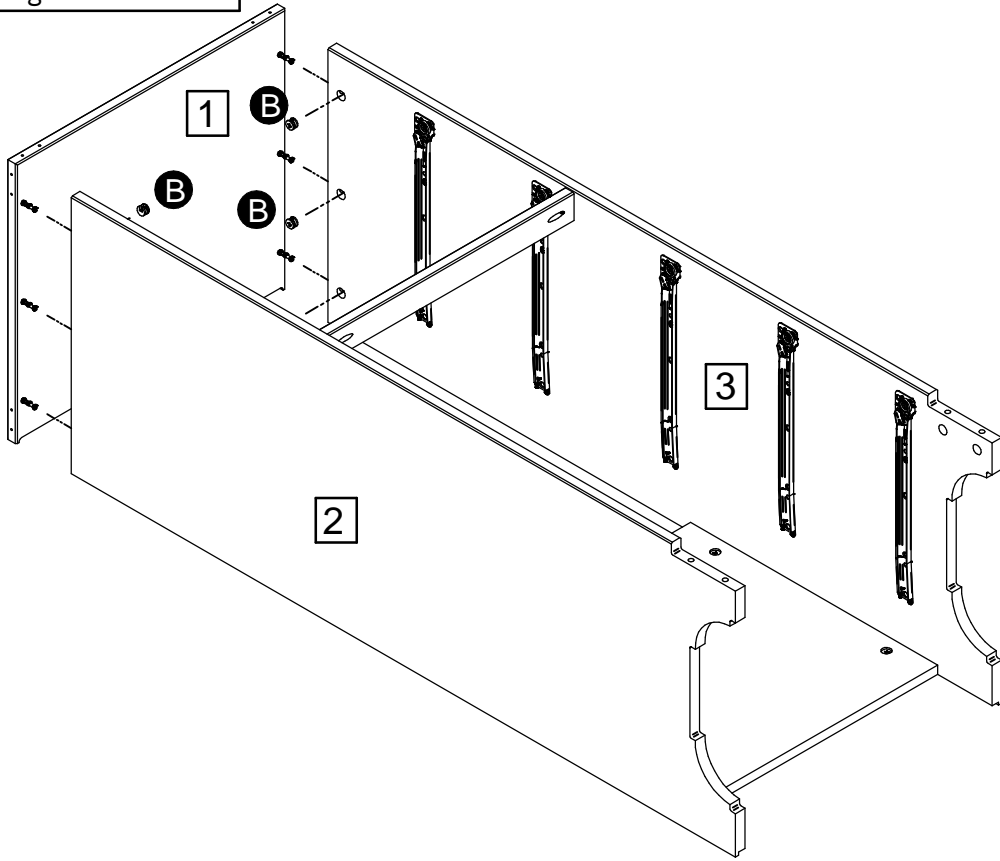
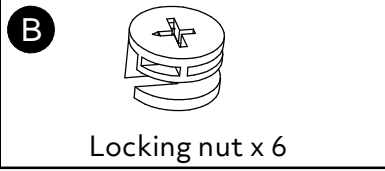
# 5



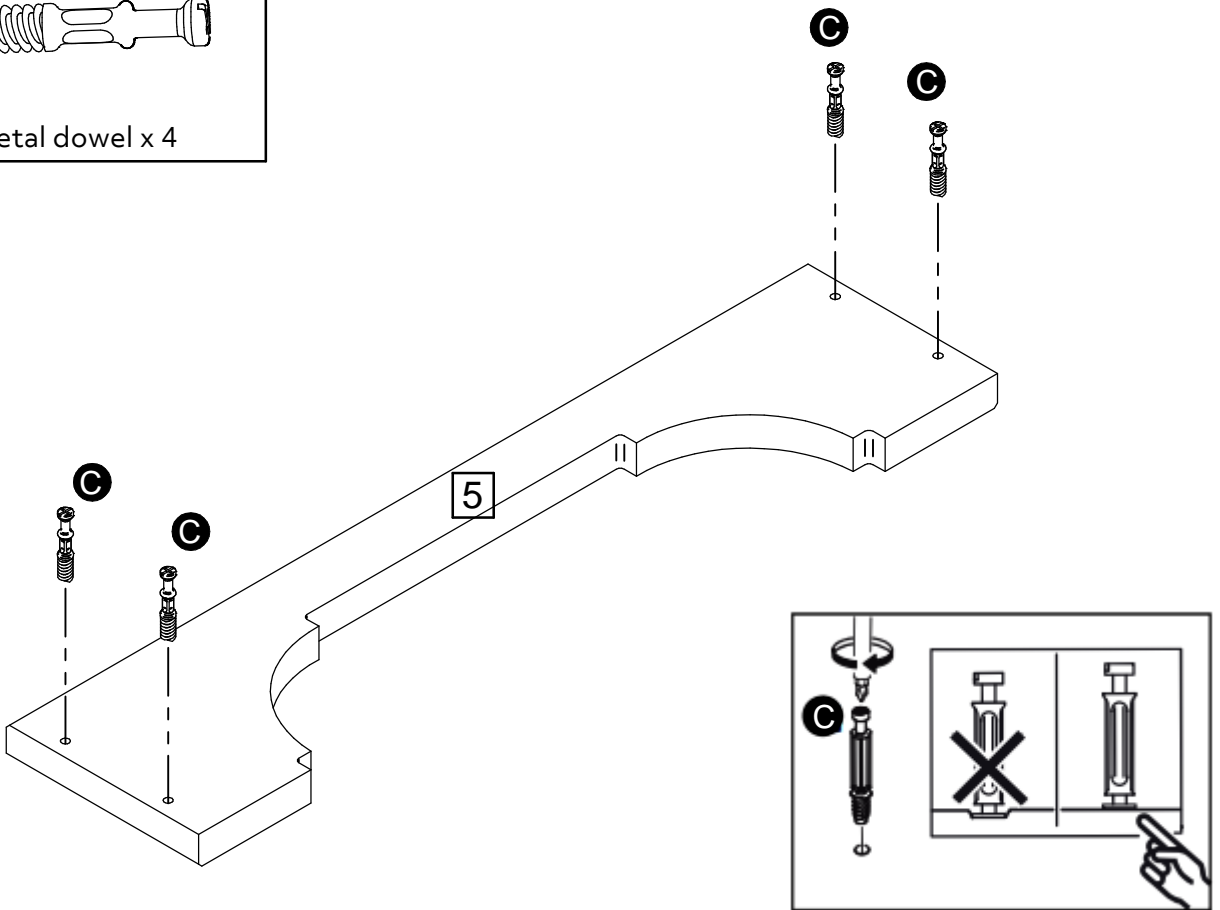
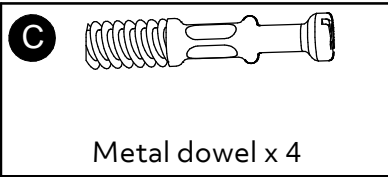
# 6



7



8

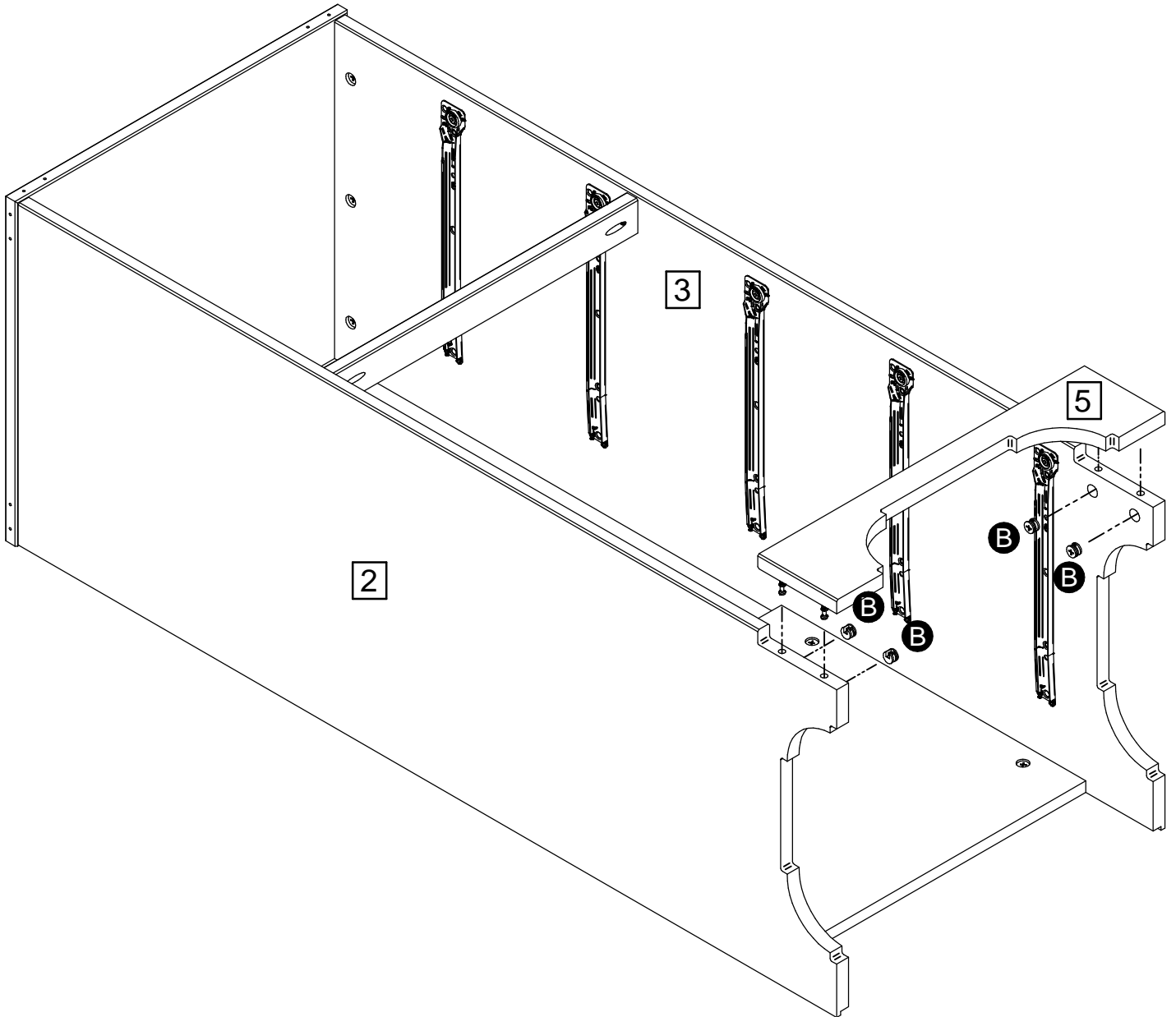


9

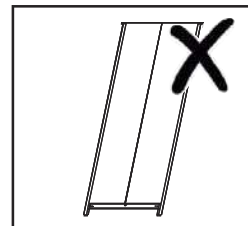
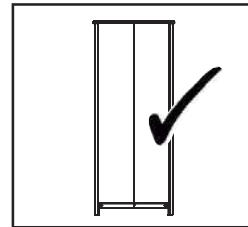
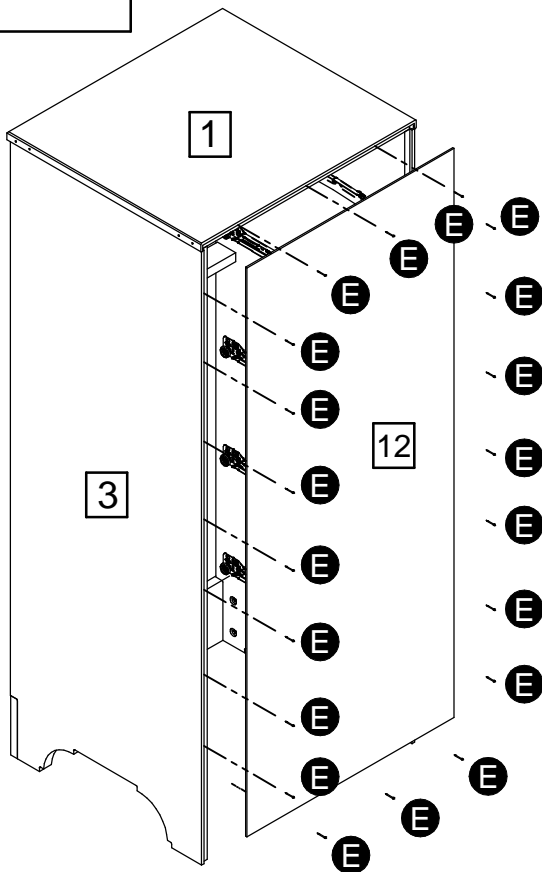
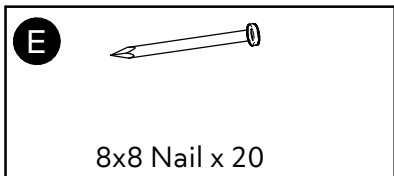
B



Locking nut x 4

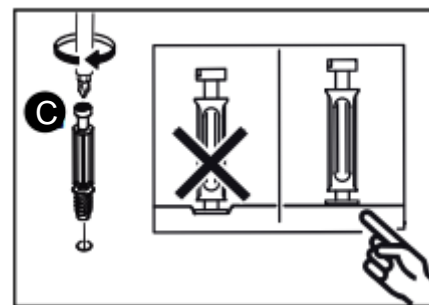
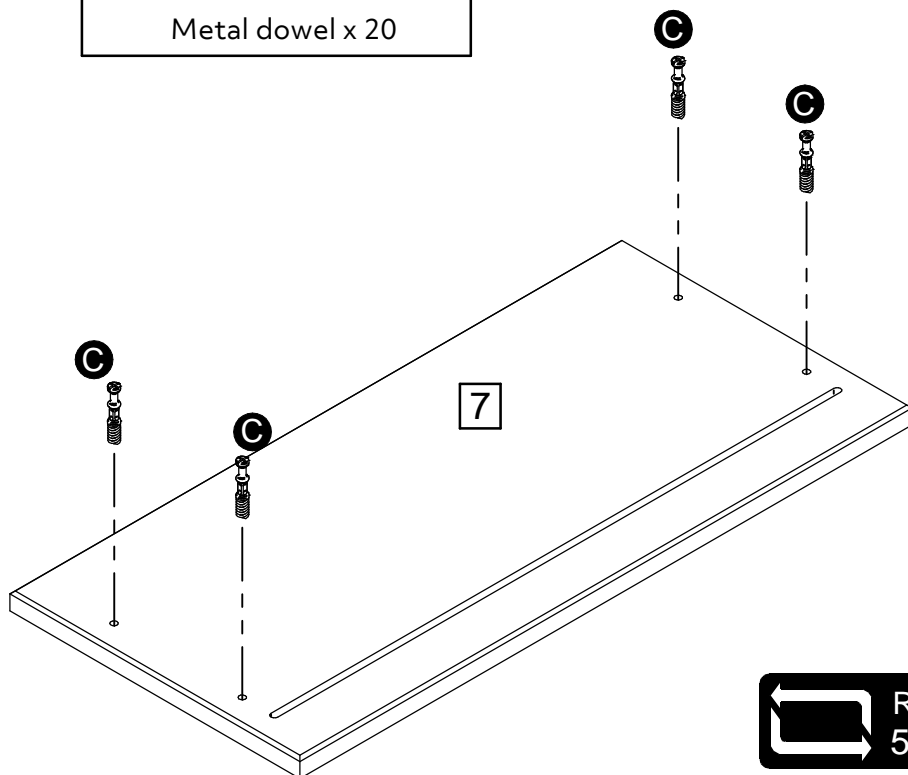
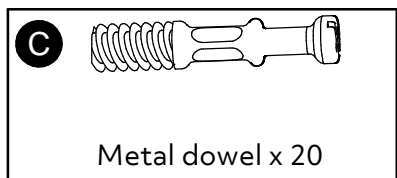


# 10

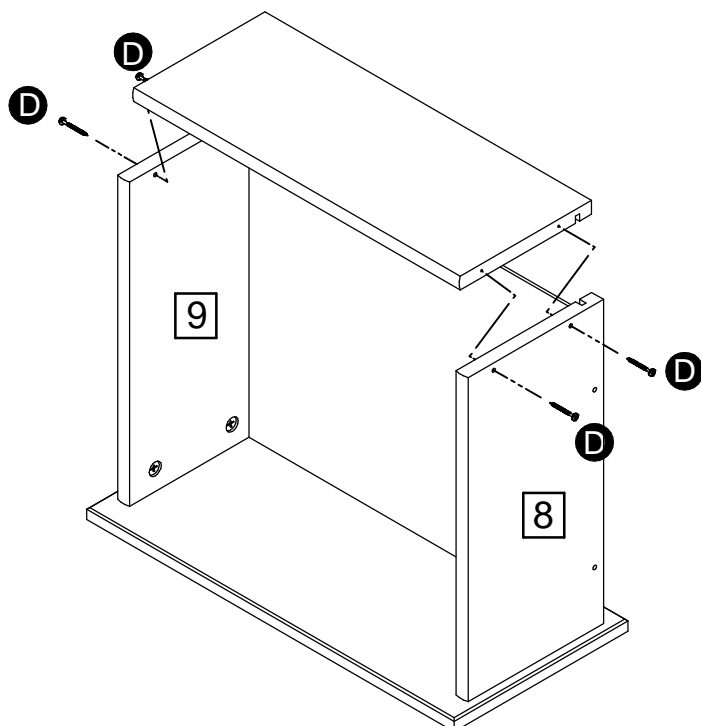
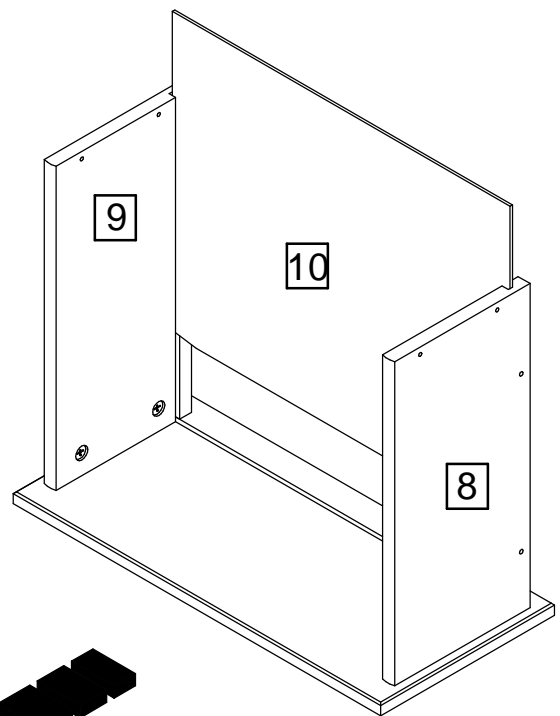
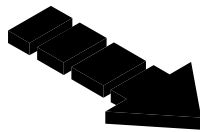
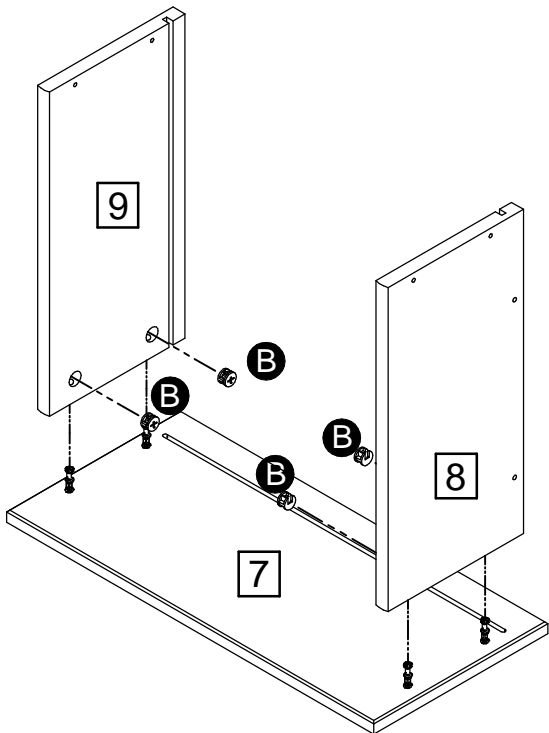
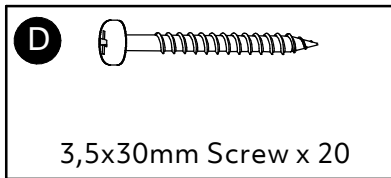
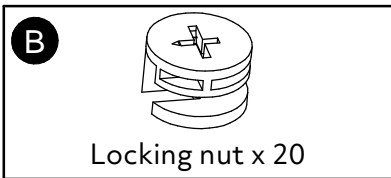


**!** **Important:**  
Cabinet **MUST** be  
'square' when back panel  
is attached.

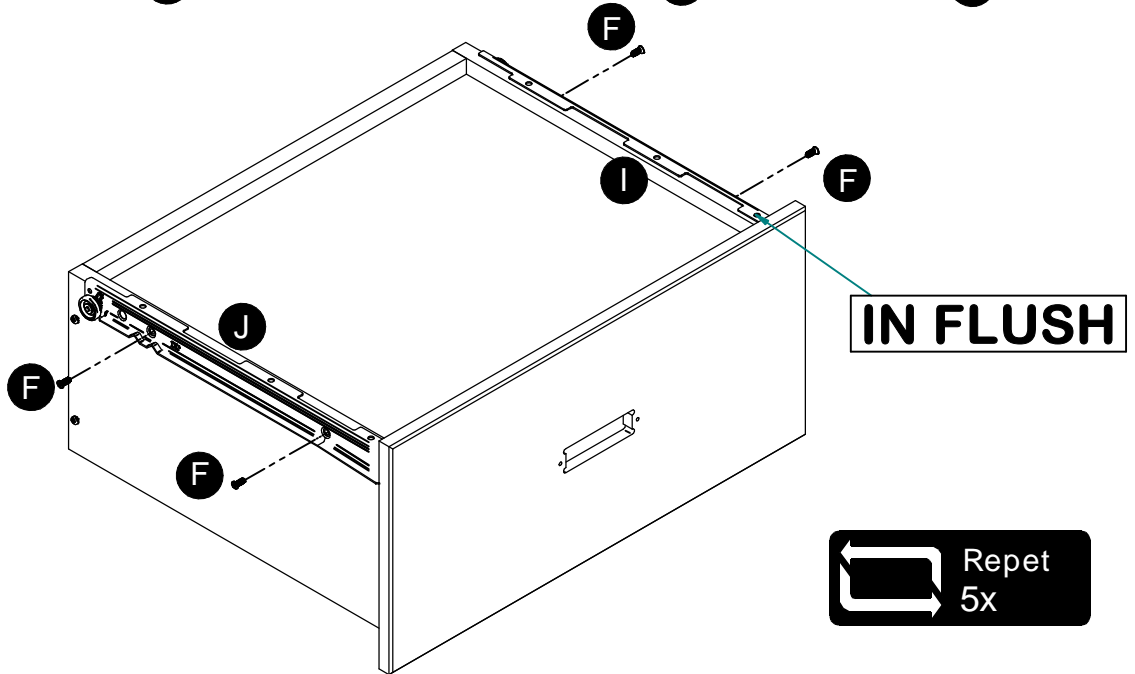
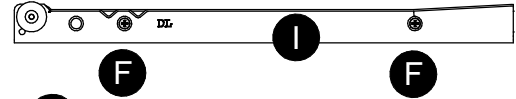
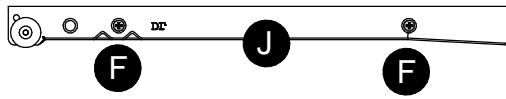
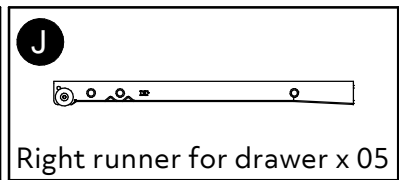
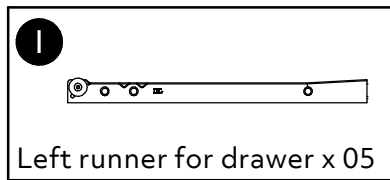
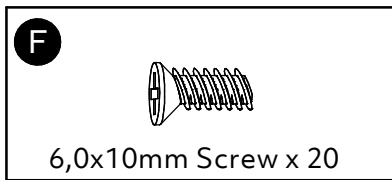
# 11



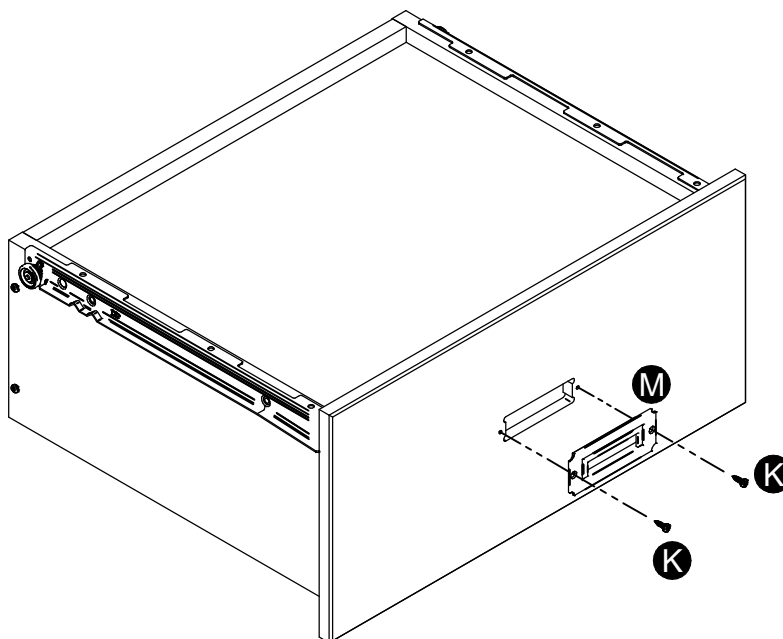
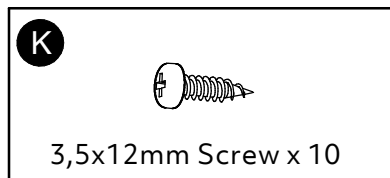
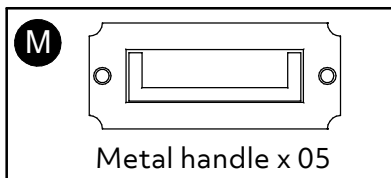
# 12



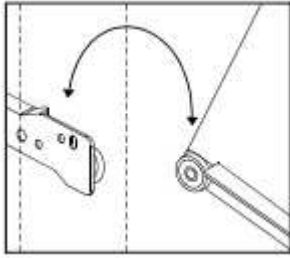
# 13



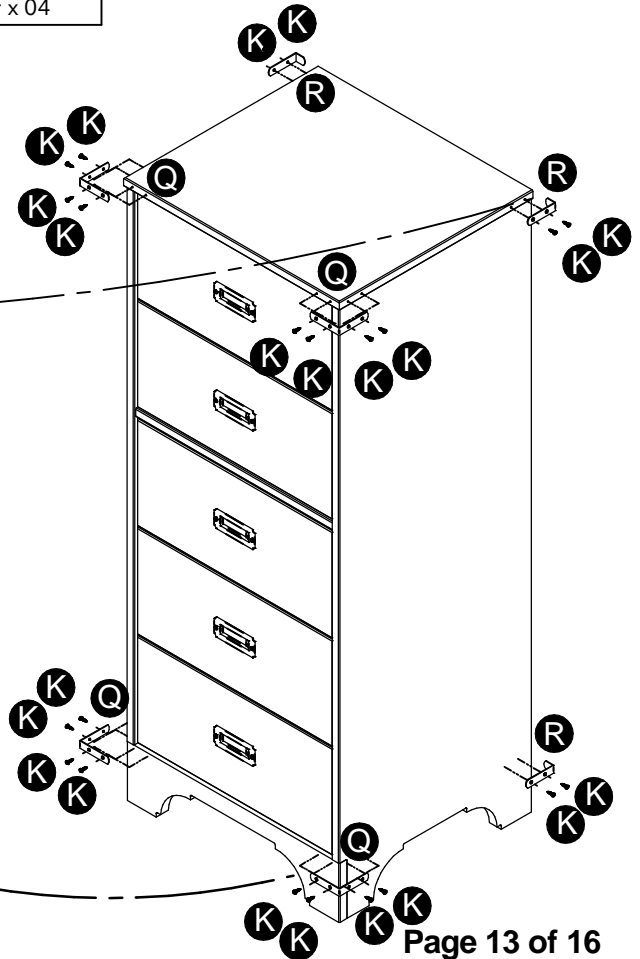
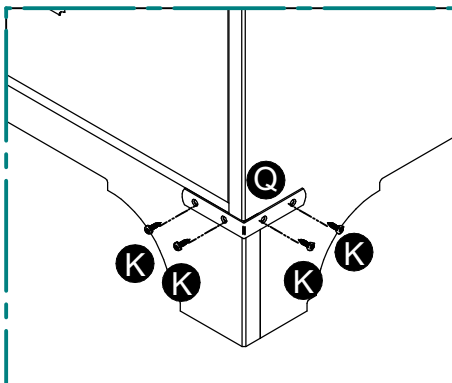
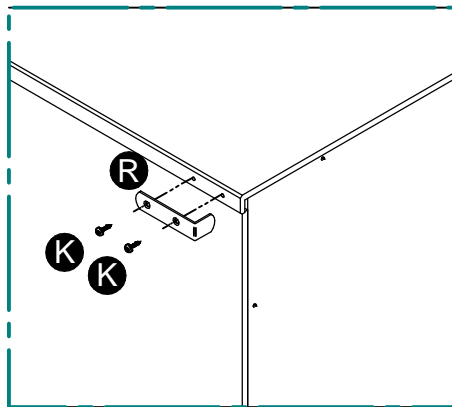
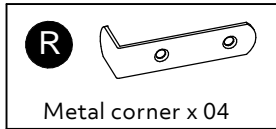
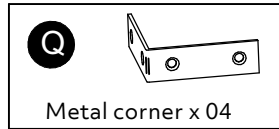
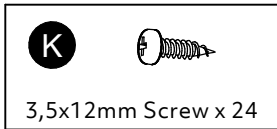
# 14




# 15

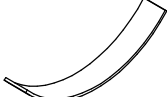



# 16

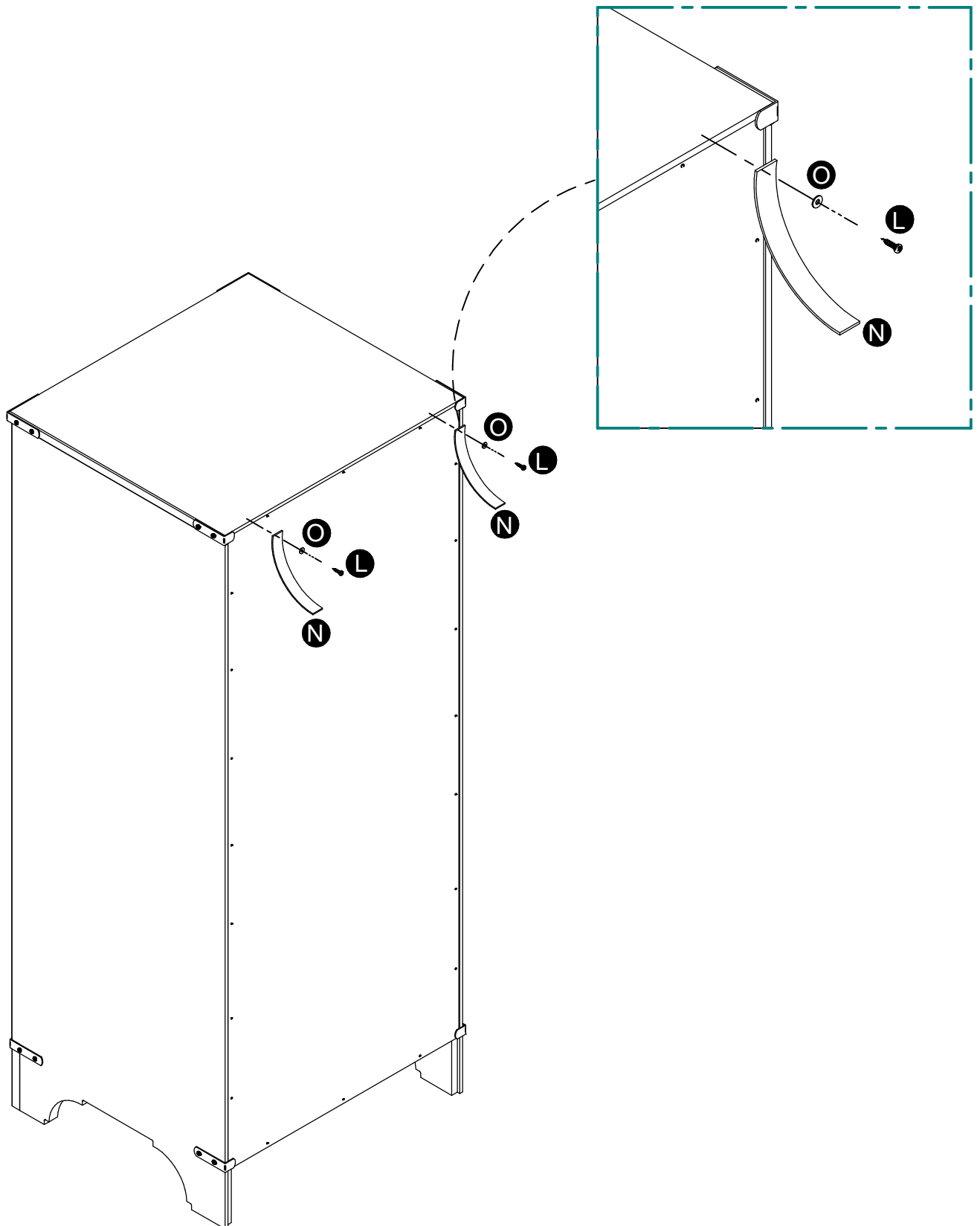


# 17

**L**   
3,5x16 Screw x 2

**N**   
Wall strap x 02

**O**   
Washer x 2



# A Guide to - Wall Monting & Fixings

## Important note:

If plastic wall plugs are supplied with your product:



-these are only suitable for use in masonry walls.

If you are in any doubt about the correct wall plugs for your wall, seek professional advice.


Failure of the product due to using incorrect fixings is the responsibility of the installer.



**Important: When drilling into wall always check that there are no hidden wires or pipes etc.**

Make sure that the screws and wall plugs being used are suitable for supporting your unit. Consult a qualified tradesperson if you are unsure.

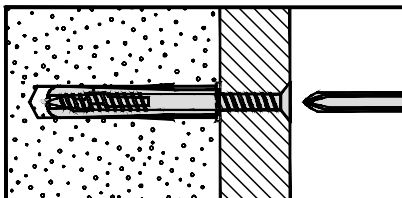
## Hints:

1. General rule:  Always use a larger screw and wall plug if you are not sure.
2. Ensure you use the recommended drill bit to the wall plug and hole size.
3. Ensure you drill the hole horizontally, do not force the drill or enlarge the hole.
4. Take extra care when drilling high walls, ceilings and ceramic tiles. Ensure wall plugs are inserted beyond the thickness of the ceramic tiles to avoid the tiles splitting or cracking.
5. Ensure wall plugs are well fitted and are a tight fit in the drilled hole.

## Types of walls

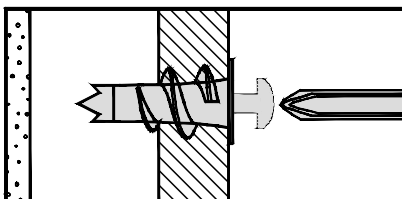
You can use of the following types of wall plug if your walls are made of brick, breeze block, concrete, stone or wood.

### Nº.1 "General Purpose" wall plug



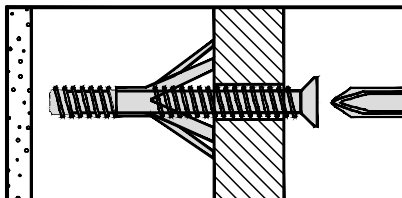
Generally aerated blocks should not be used to support heavy loads, use a specialist fitting in this case. For light loads, general porpose wall plugs can be used.

### Nº.2 "Plasterboard" wall plug



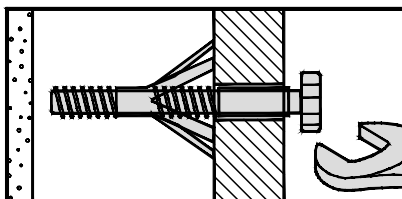
For use when attaching light loads on to plasterboard partition.

### Nº.3 "Cavity fixing" wall plug



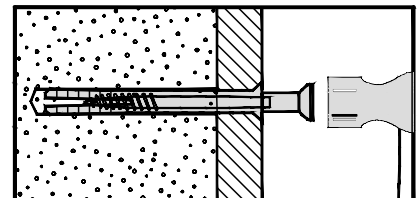
For use with plasterboard partitions or hollow wooden doors.

### Nº.4 "Cavity Fixing-Heavy Duty" wall plug



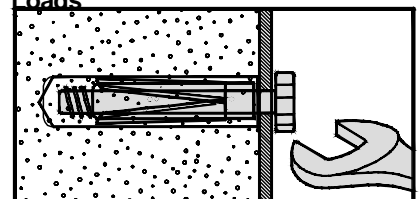
For use when fitting or supporting heavy loads such as shelving, wall cabinets and coat racks.

### Nº.5 "Hammer Fixing" wall plug



For use with walls stuck with plasterboard. The hammer fixing allows it to be fixed to the wall rather than the plasterboard. Always check the fixing is secure to the retaining wall.

### Nº.6 "Shield Anchor" wall plug Heavy loads



For use with heavier loads such as TV & Hifi speakers and satellite dishes etc.



## Care & Maintenance

**Safety:** Always check the fitting and location to ensure your safety in and around the home.

**Fitting:** From time to time check the fitting to ensure the wall plugs or screws do not become loose.

# 18

