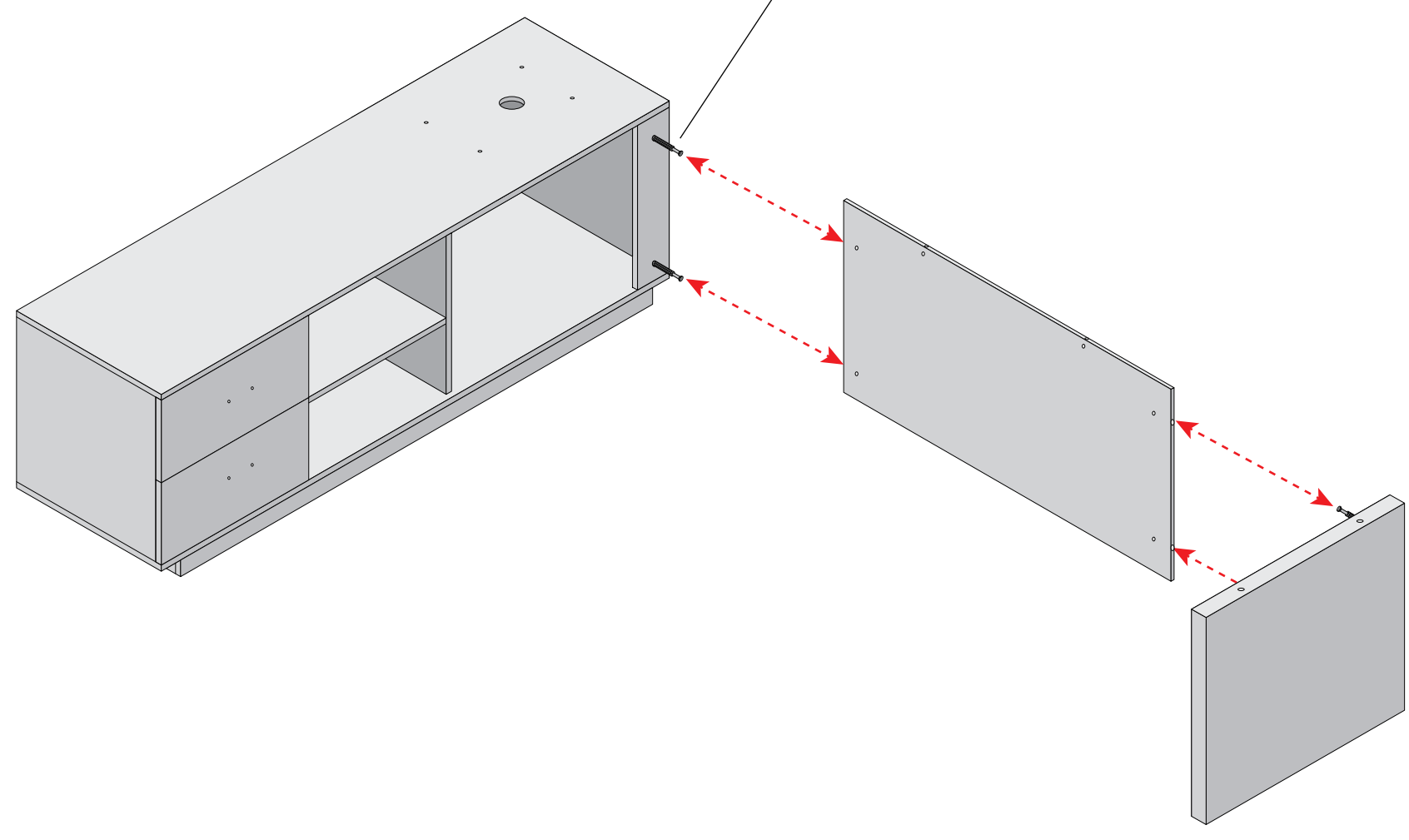
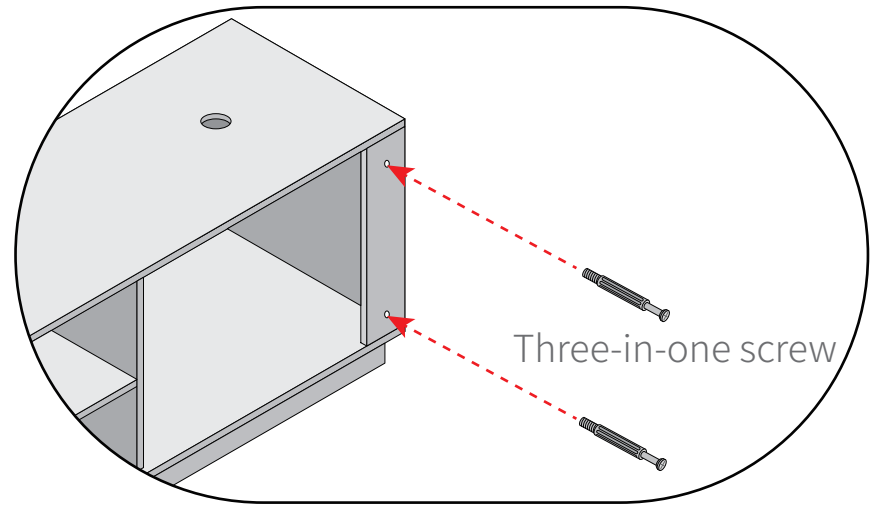
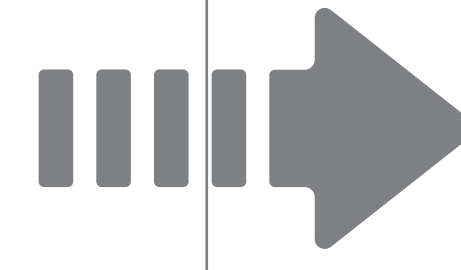
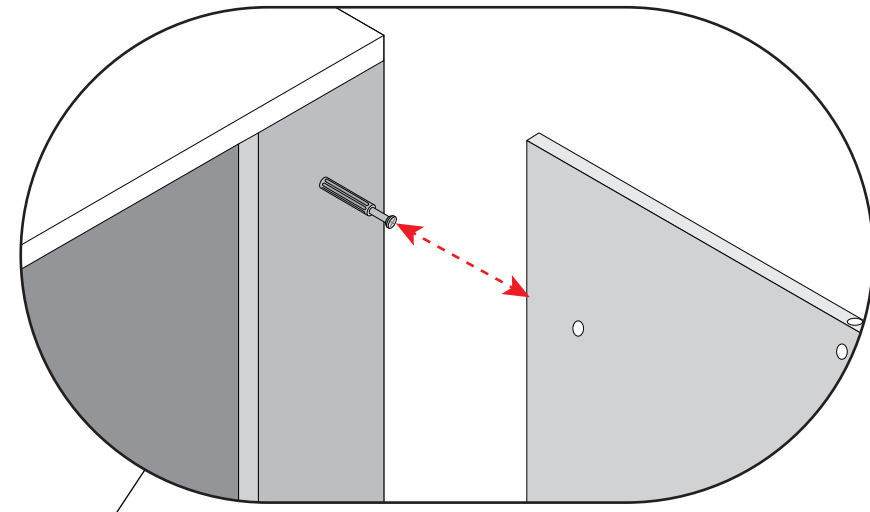


STEP 1

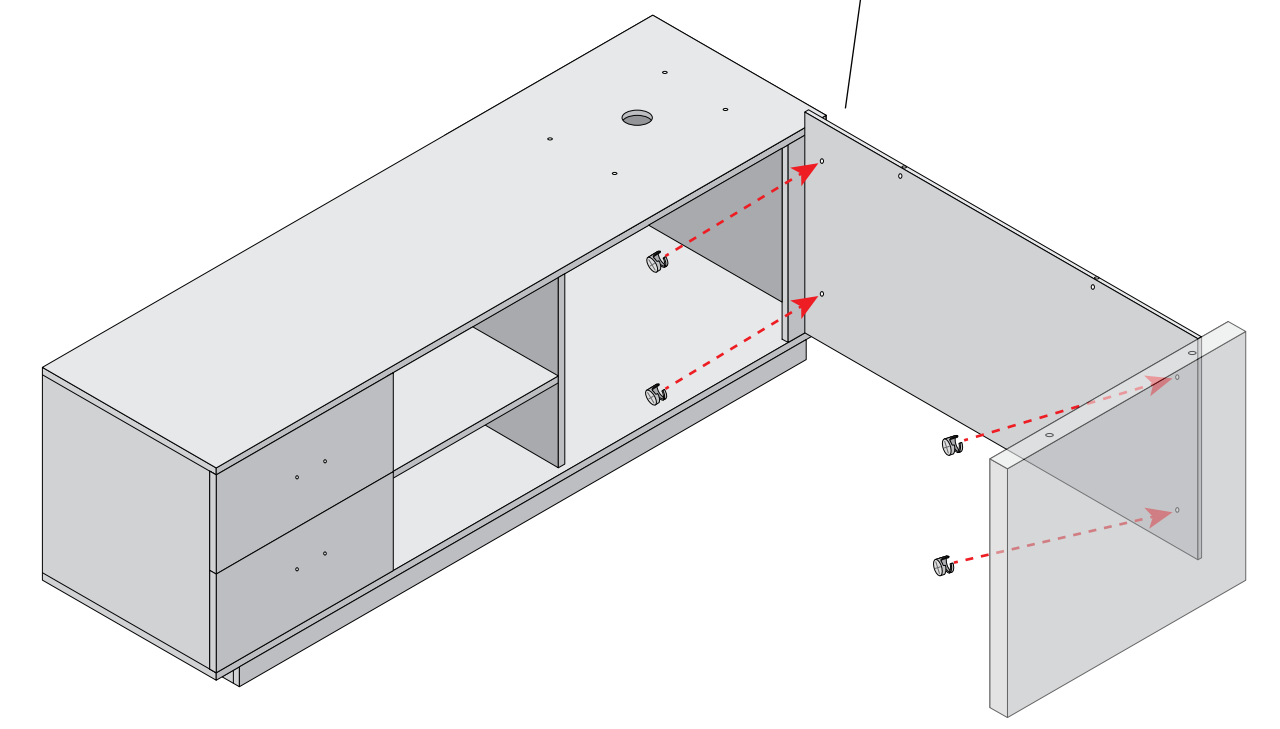
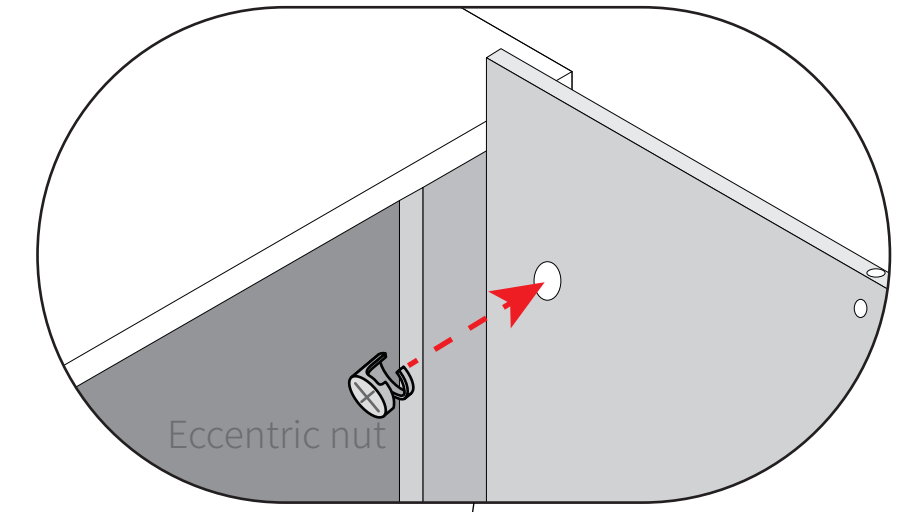
Install the three-in-one screws onto the cabinet and the side panels

**STEP 2**

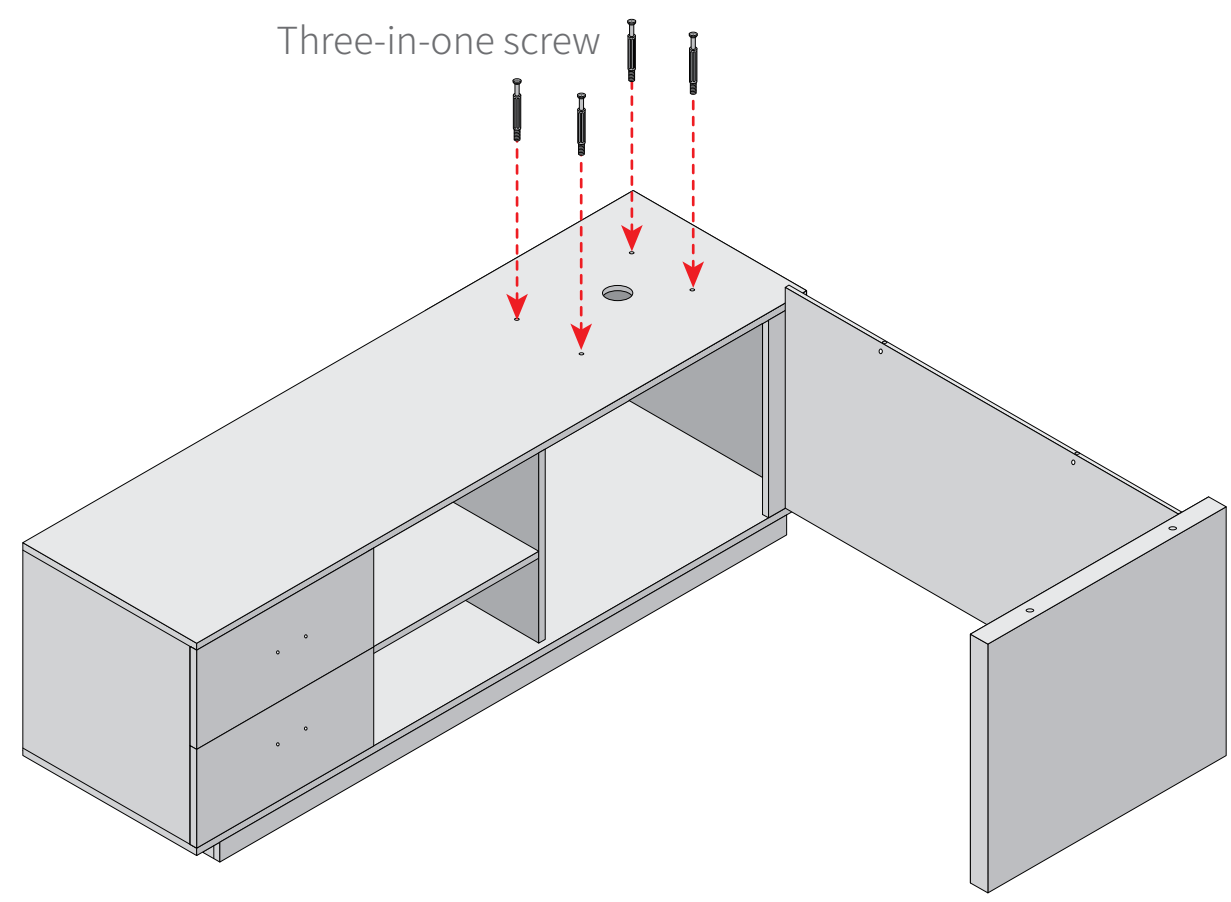
Connect the cabinet and the side panels through the front panel

**STEP 3**

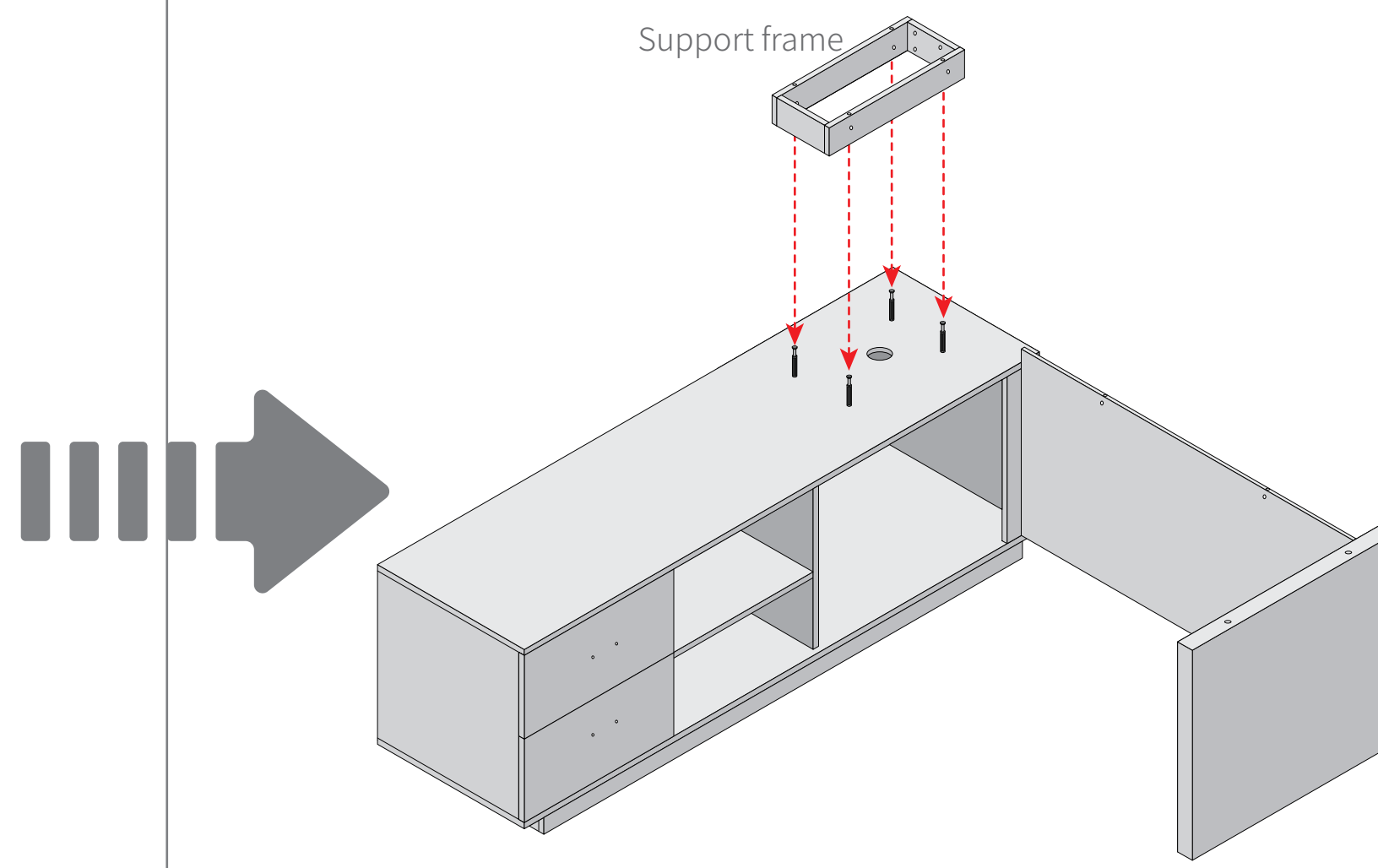
It is fixed by Eccentric nut

**STEP 4**

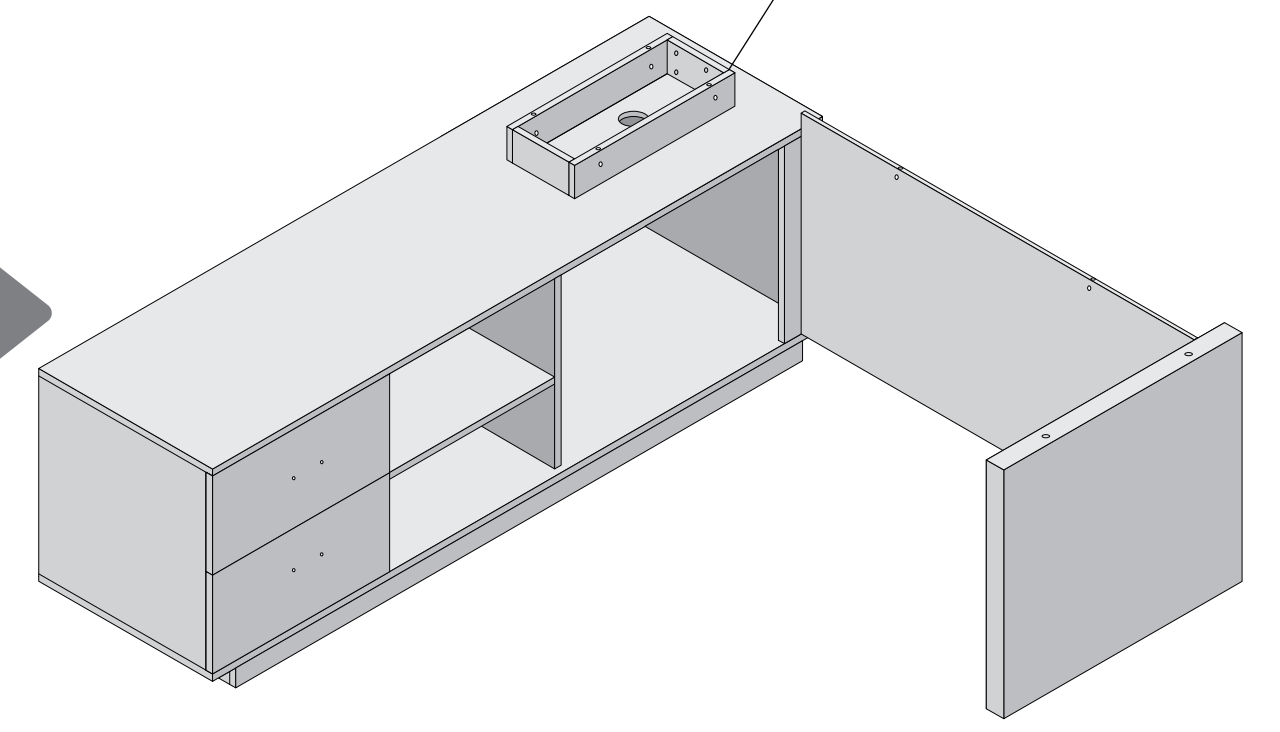
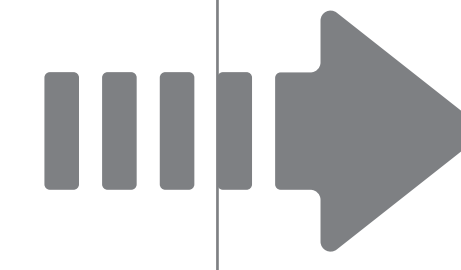
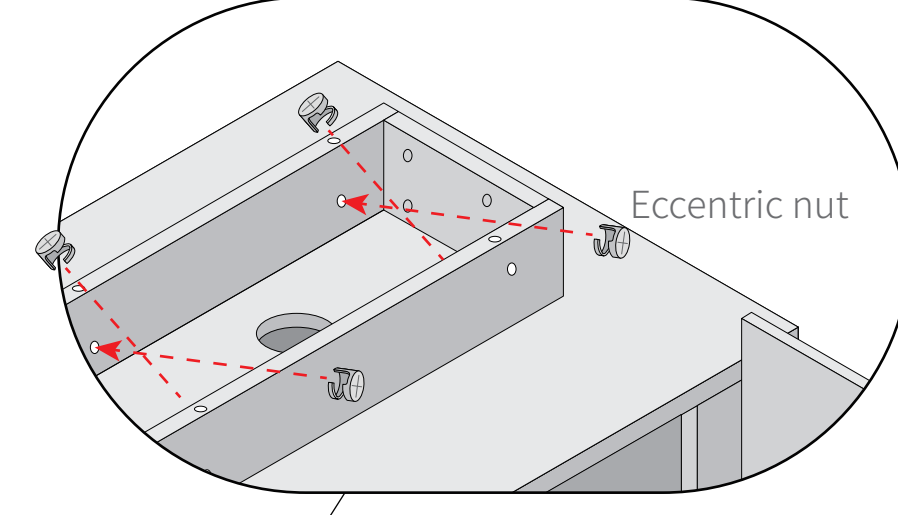
Install the 3-in-1 screws into the top holes of the cabinets

**STEP 5**

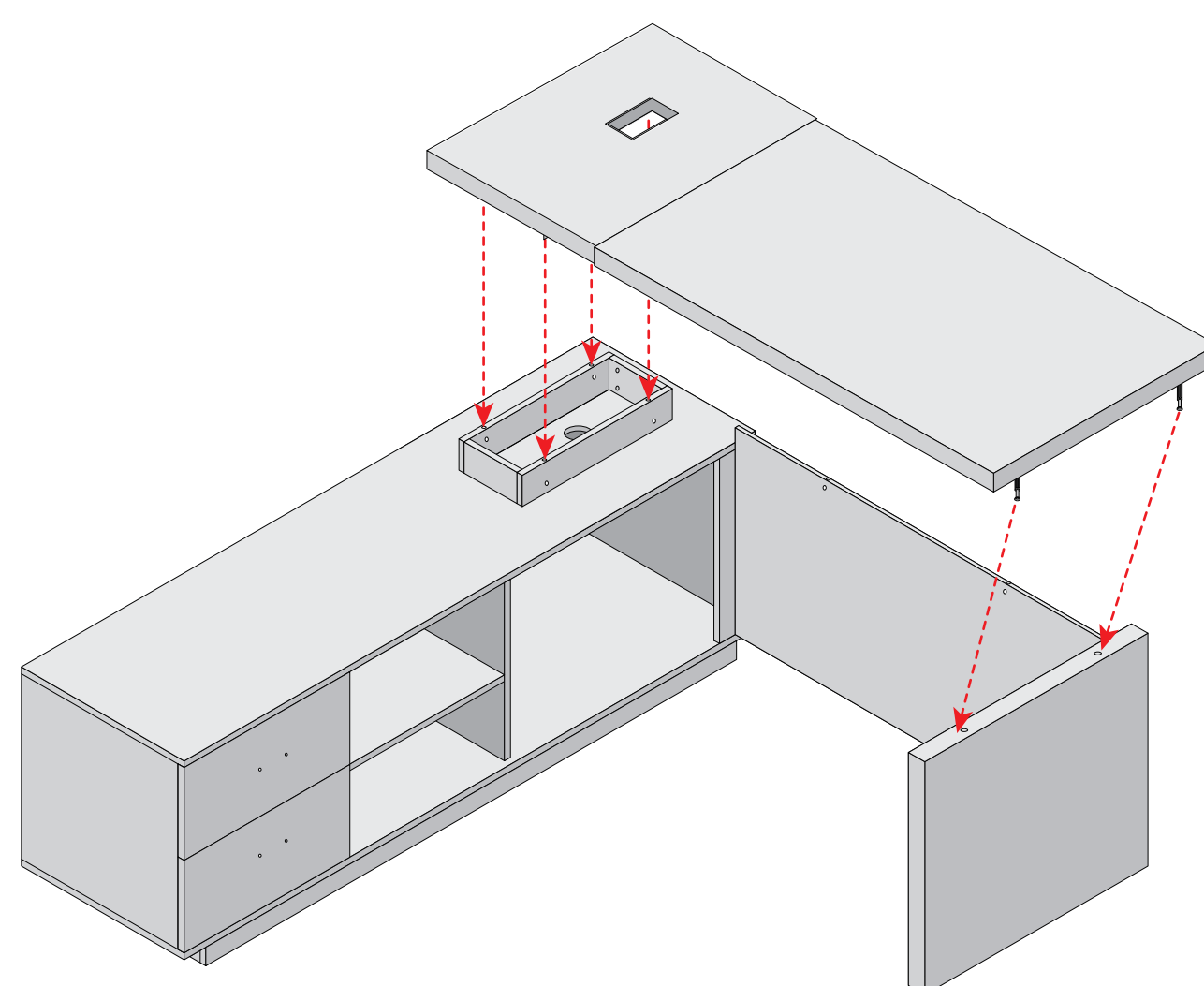
Install the support frame on the cabinet

**STEP 6**

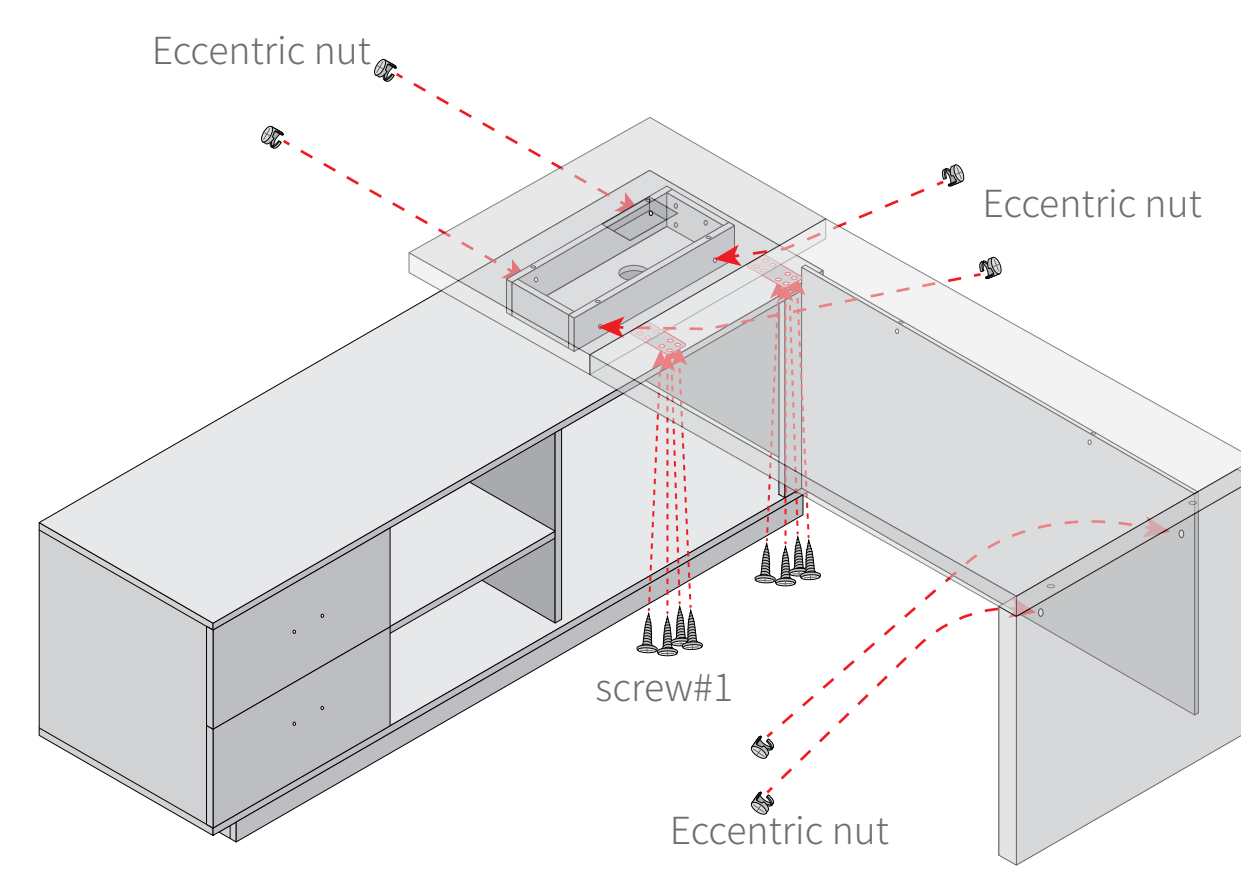
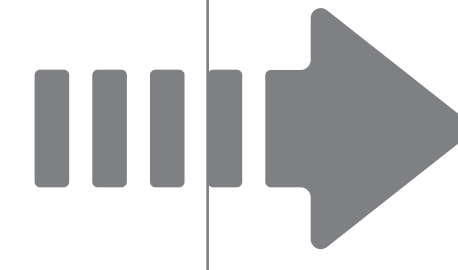
It is fixed by Eccentric nut

**STEP 7**

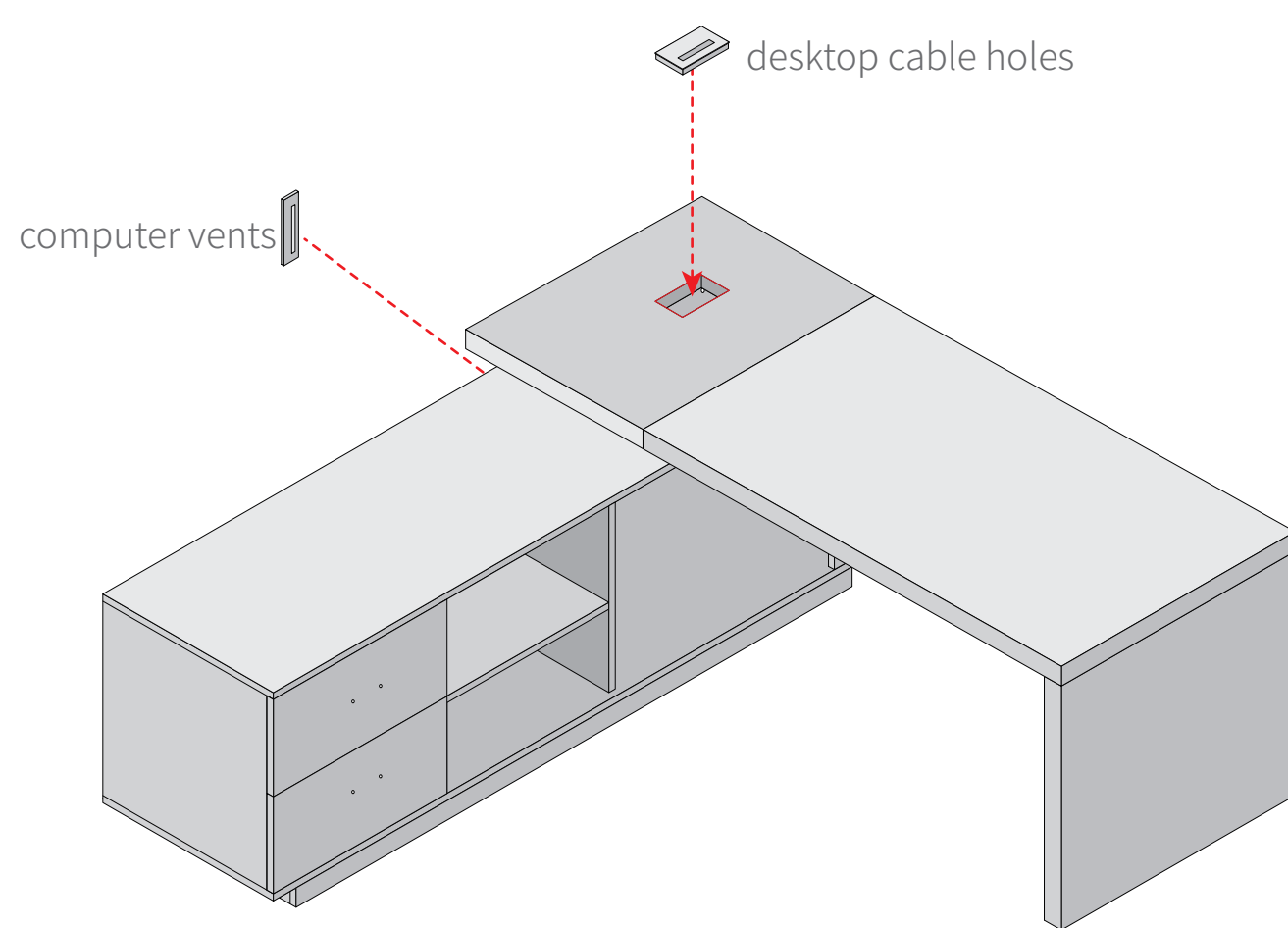
Install 3-in-1 screws on the bottom of the two tables tops,
Install double-ended connectors on the bottom edge of Table board #2
Align the table boards with the holes and install them

**STEP 8**

Use eccentric nuts on the left and right sides of the support frame.
Screws are used to secure the double-ended connector at the joint of the two tables

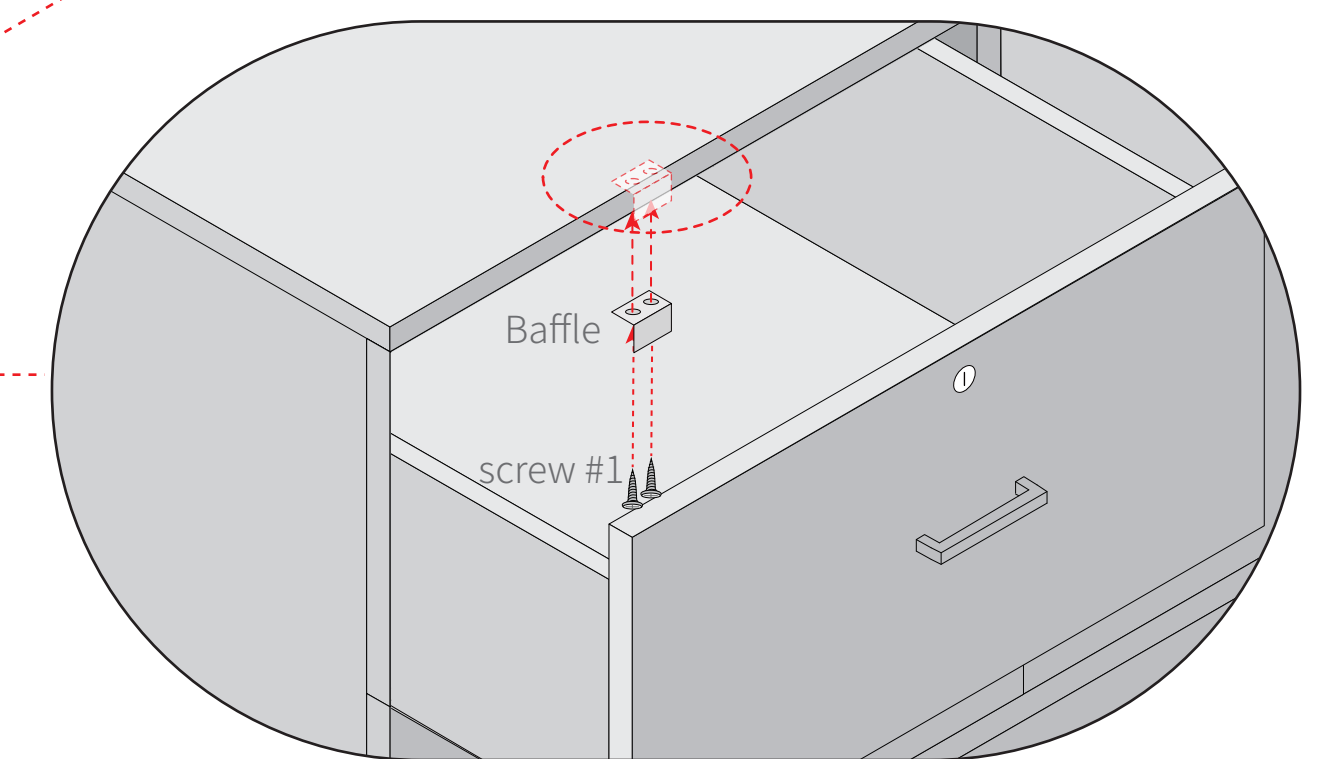
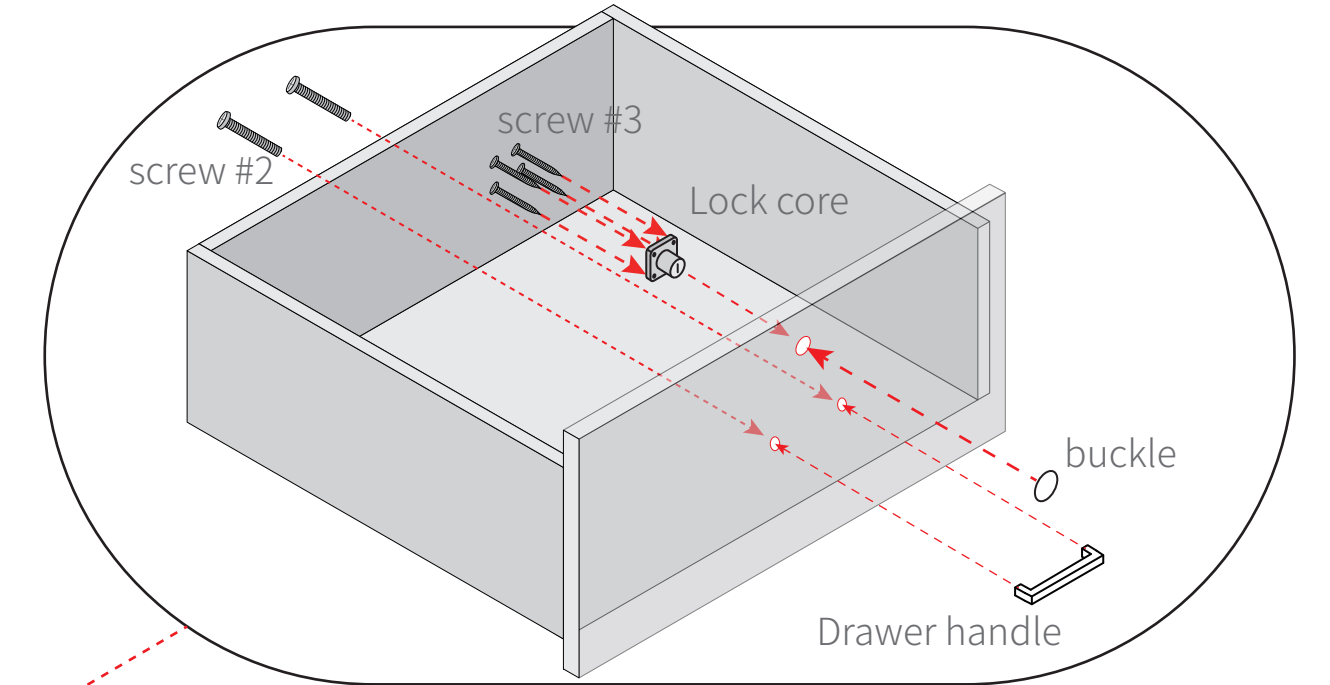
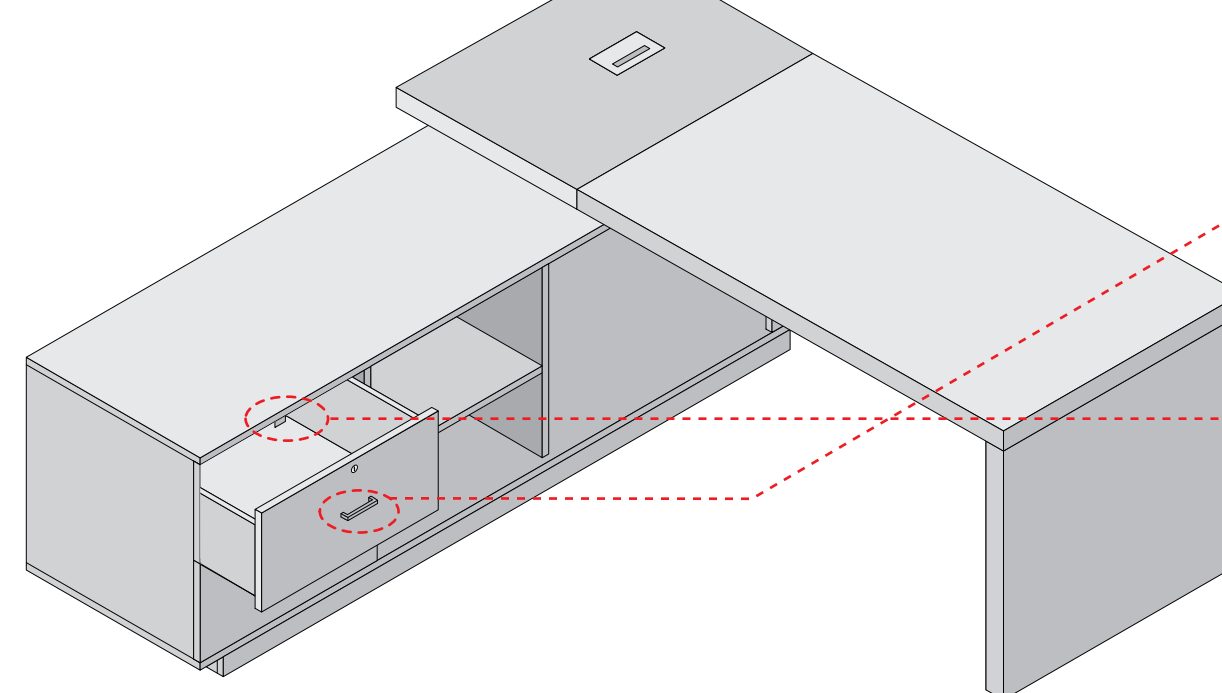
**STEP 9**

Install computer vents and desktop cable holes

**STEP 10**

Install the handle with screw #2 from the inside of the front panel of the drawer

Install the "Baffle" with "screw #3", corresponding to the position of the lock core, so that it fits precisely when locked

**INSTALLATION COMPLETED**