

LED CEILING FAN

Installation & Troubleshooting Manual

Model: WS-FPZ21-60B Input :120V 60Hz
AAA 1.5V Remote Battery not Included

NA

CAUTION

Read Instructions Carefully for Safe Installation and Fan Operation.

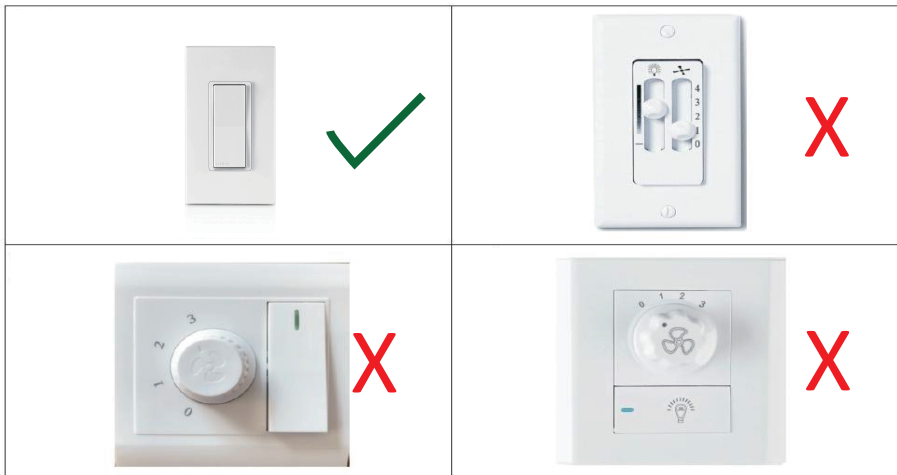
Safety Rules

To avoid the risk of electric shock, personal injury or fire, please carefully follow the rules bellowed:

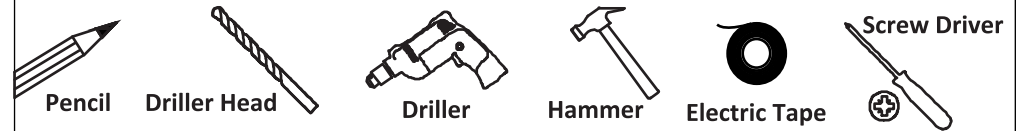
1. Turn off the electricity to the fan at the main fuse box or circuit panel at the beginning.
2. All wiring must be in accordance with the local electrical codes or National Electrical Code
3. Please use gloves when handling fan parts which have sharp edges.
4. Made sure the site you choose to install have enough space for the blades to rotate, meaning that at least 7 feet (2.13 meters) from the floor to the fan blades, 18 inches(45.72 centimeters) from the end of the blade to wall or other upright structures.
5. Please only mount the fan to an outlet box which marked acceptable for the fan and use mounting screws which compatible with the outlet box.
6. The outlet box and ceiling support structure must be securely mounted and capable of supporting at least 45KGs.
7. Be cautions when working around or cleaning the fan.
8. Do not clean the fan or fan blades with water or detergents. A dry cloth or lightly dampened cloth with be recommended.
9. After making electrical connections, spliced conductors should be turned upward and pushed carefully up into the outlet box. The wires should be spread apart with the grounded conductor and the equipment-grounding conductor on one side of the outlet box.
10. Electrical diagrams are for reference only.
11. The fan is only for indoor use and outdoor places with ceiling.

Mention

This ceiling fan can't be gradually dimmed, DO NOT use any Dimmer Switch for this!!!

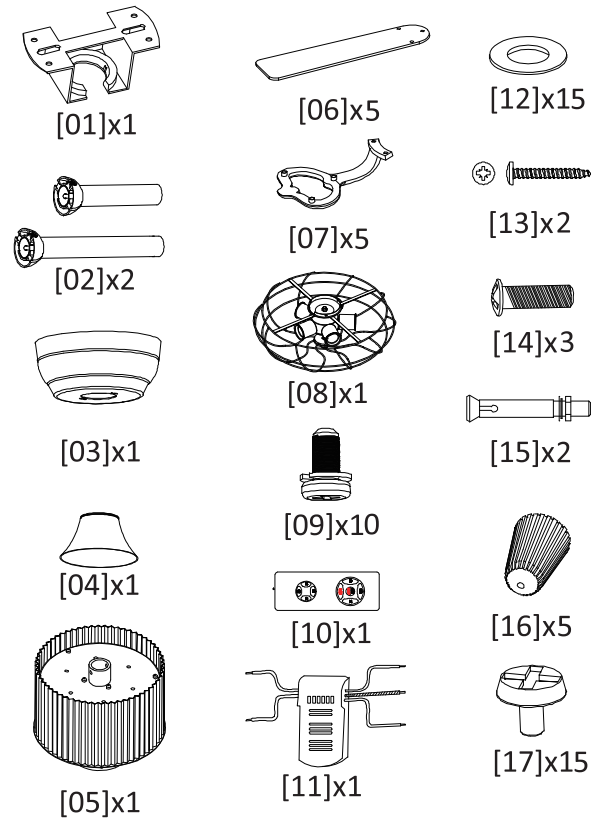


Tools Required



Current range of telephone after-sales service
 Language: English only Country: USA and Canada
 Customers from other countries are advised to contact us via email.
 AFTER-SALES SERVICE Email: all-support@depuley.com
 AFTER-SALES SERVICE TEL: (888) 985-3006 Depuley
 (888) 986-0020 DLLT
 Mon-Fri 9am - 5pm (PST)

Package Content

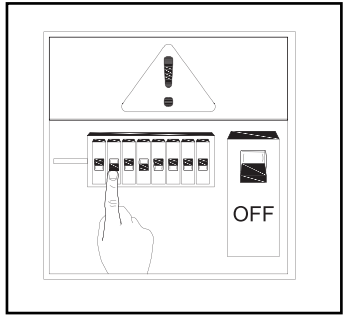


- [01] Mounting Bracket x1
- [02] Down Rod x2
- [03] Canopy x1
- [04] Yoke Cover x1
- [05] Fan Module x1
- [06] Wooden Fan Blades x 5
- [07] Fan Blade Bracket x5
- [08] Iron Lampshade x1
- [09] Fan Bracket Screw x10
- [10] Remote x1
- [11] Fan Receiver x1
- [12] Fan Blade Screw Gaskets x15
- [13] Set Screws x2
- [14] Lampshade Screws x3
- [15] Expansion Screw x2
- [16] Wire Nuts x5
- [17] Fan Blade Fixing Screw x15

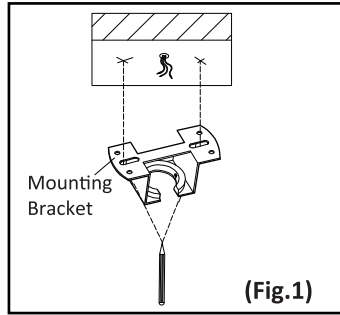
Install Mounting Bracket

To Prevent Personal Injury and Damage, Ensure That the Hanging Location Allows the Blade a Clearance of 7 Feet(2.13Meters) From the Floor and 18 Inches(45.72 Centimeters)From any Wall or Obstruction.

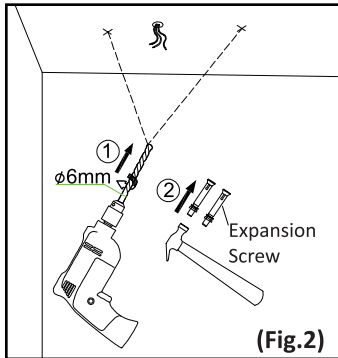
For the concrete ceiling:



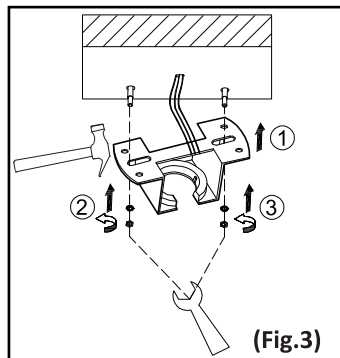
1. Turn Power OFF From the Electrical Fan Light Before Installation.



2. Mark the right sign on the ceiling with a Pencil and Mounting Bracket(Fig.1).



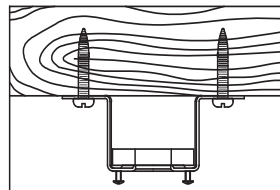
3. Drill ø6mm holes at the marked places, and Knocked the Expansion Screws in(Fig.2)



4. Finally, Install the Mounting Bracket and Lock the Expansion Screw.(Fig.3)

For the Wood Ceiling:

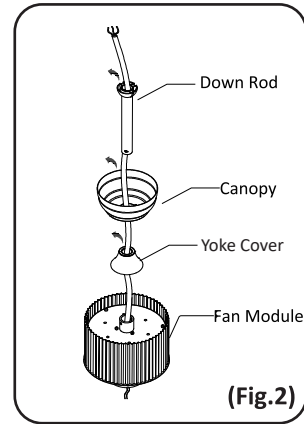
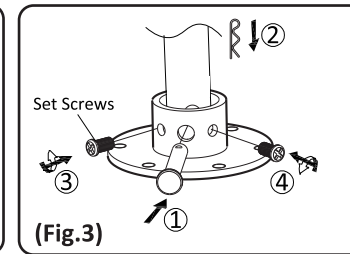
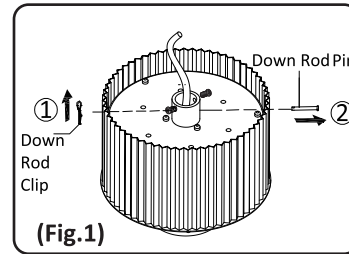
Mark the location for the ceiling fan first, secure the mounting bracket to the building structure with four wood screws provided.



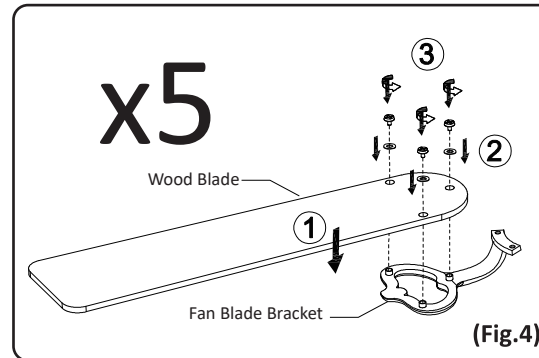
NOTE: Hanger after the installation must be able to withstand the weight of 45kgs or more.

Assemble the Down Rod

1. Remove the DownRod Clip & Down Rod pin from downrod and loosen the set screws in the yoke(Fig.1)
2. Feed the fan wires through the yoke cover, canopy and downrod(Fig.2)
3. Slide the downrod into the yoke of the motor assembly. Align holes and reinstall the downrod pin and downrod clip and secure with the two set screws.(Fig.3)



Assemble the Fan Blades

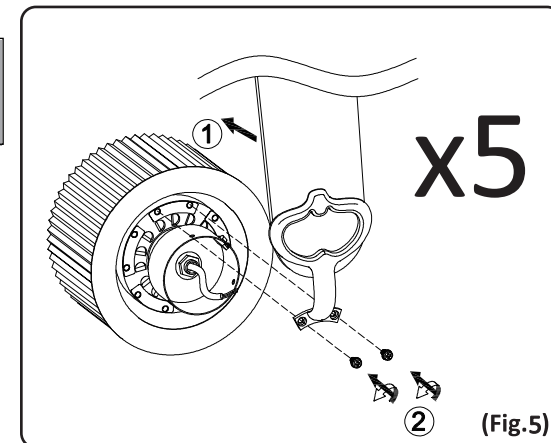


Note: Before assembling the fan blades, make sure there are no missing parts; And all access-ories are not damaged.

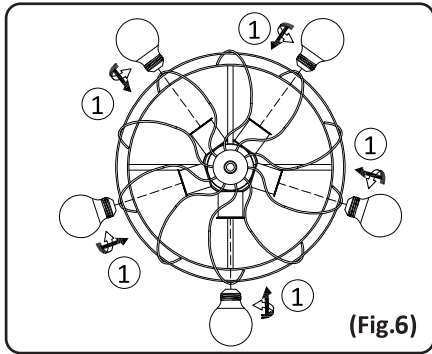
Assemble the fan blade to the fan blade bracket by referring to the holes on the fan blade, Then fix it with spacers and screws. Repeat this action five times. (fig.4)

Note: Before assembling the fan blades, please confirm that the accessories are complete and not damaged.

Fix the assembled fan blade on the fan motor with the special screws for fixing the fan blade bracket. Please repeat this action five times. (fig.5)



Install wrought iron lampshade



(Fig.6)

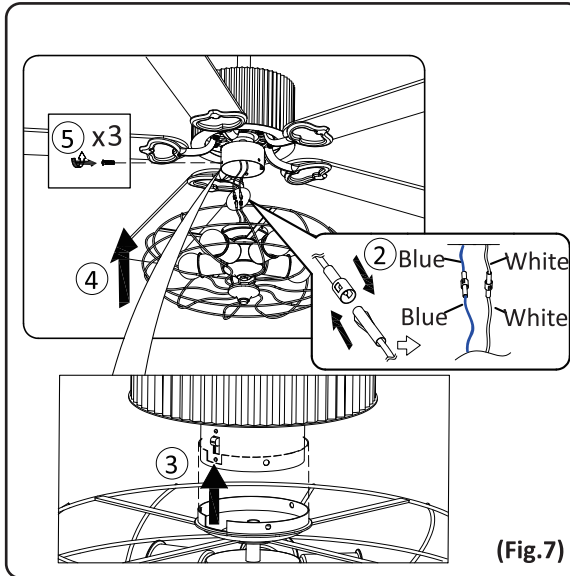
3.Connect the wires under the fan motor to the wires on the iron lampshade.Blue to Blue and White to White.(Show in ②)

4.Align the notch of the iron lamp cover with the DIP switch on the fan motor, and then assemble it to the fan motor.(Show in ③, ④)

5.Fix the iron lampshade with the screws on the iron lampshade(Show in ⑤).

Note: Before installing the wrought iron lamps-hade, please check whether the wires and accessories are complete and not damaged

1. Fit the five E26bulbs into the sockets of the iron lampshade (Show in ①).

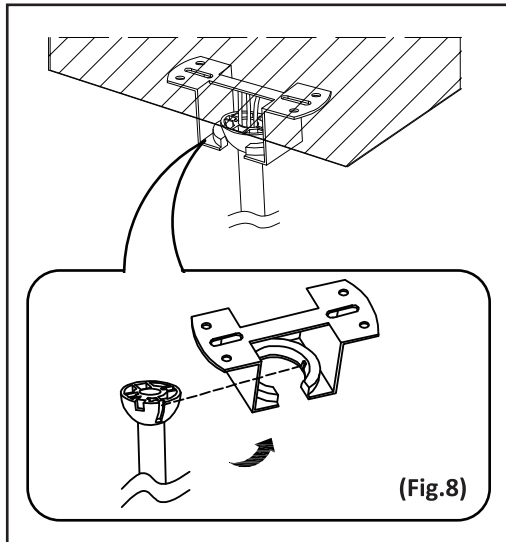


(Fig.7)

Mount the Fan Module

Install the ball end of the downrod into the opening of the mounting bracket (Fig.8).

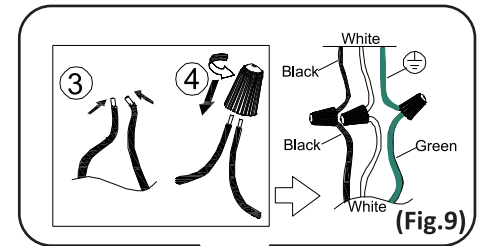
WARNING: Failure to align the slot in the ball with the tap on the mounting bracket may cause the fan to fall, which could result in injury or death.



(Fig.8)

Connect Remote Receiver Wire

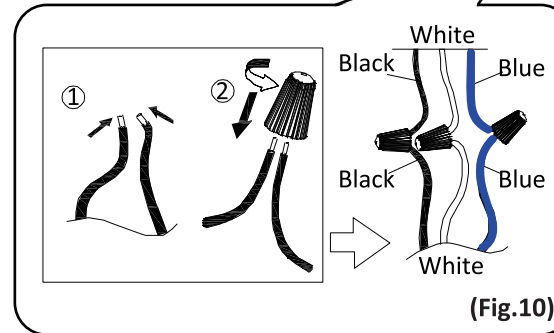
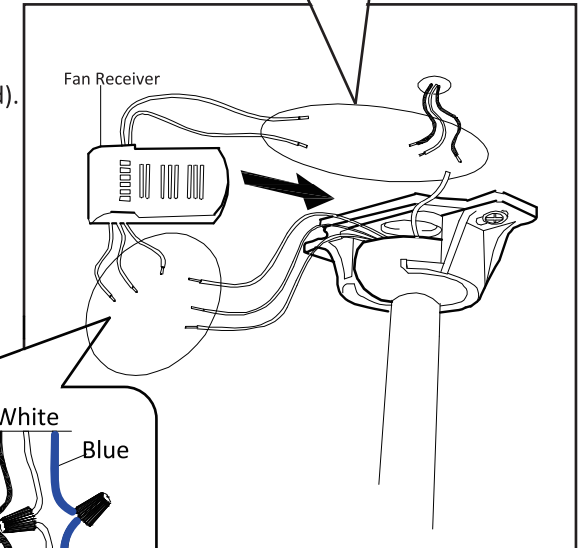
Be sure to do this after a power outage
Strictly follow the picture of linking wires.



(Fig.9)

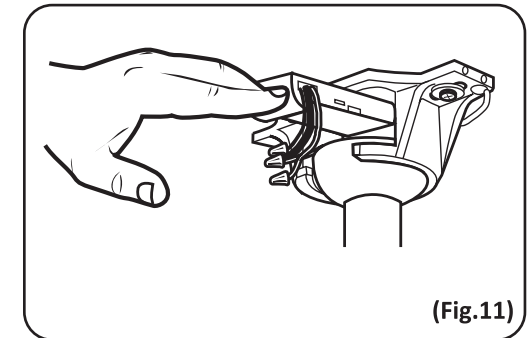
1.Connect the house cable to the remote receiver, as shown in Fig.9
Connect using By wire nut (included).

2.Connect the motor to the remote receiver as shown in Fig.10,Connect using By wire nut (included).



(Fig.10)

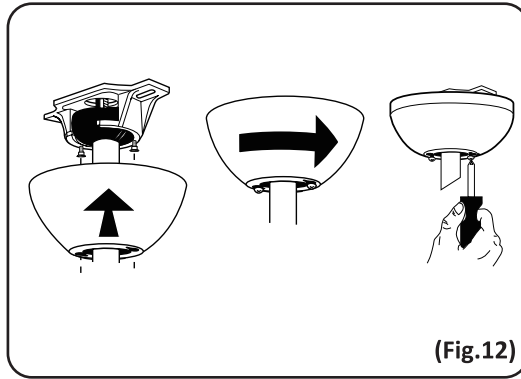
3.Once wiring step has been completed, slide the wired remote receiver in between the mounting bracket and the top of the downrod ball.



(Fig.11)

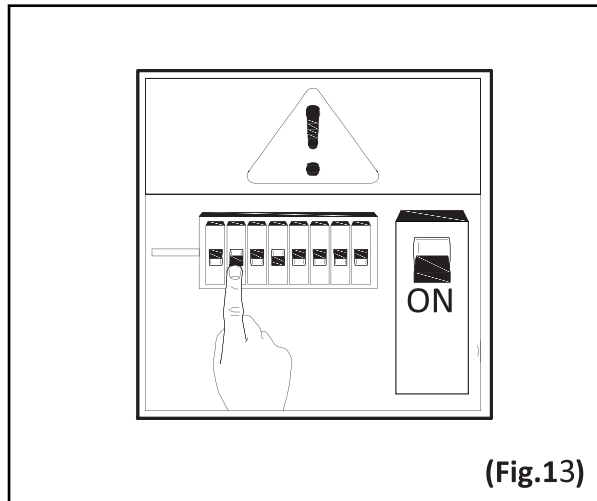
Install the Canopy

Raise the canopy up and align the keyholes on the bottom of the canopy with the 2 screws on the bottom of mounting bracket. Rotate the canopy until both screws from the mount-in bracket drop into the slot recesses. Tighten screws securely.



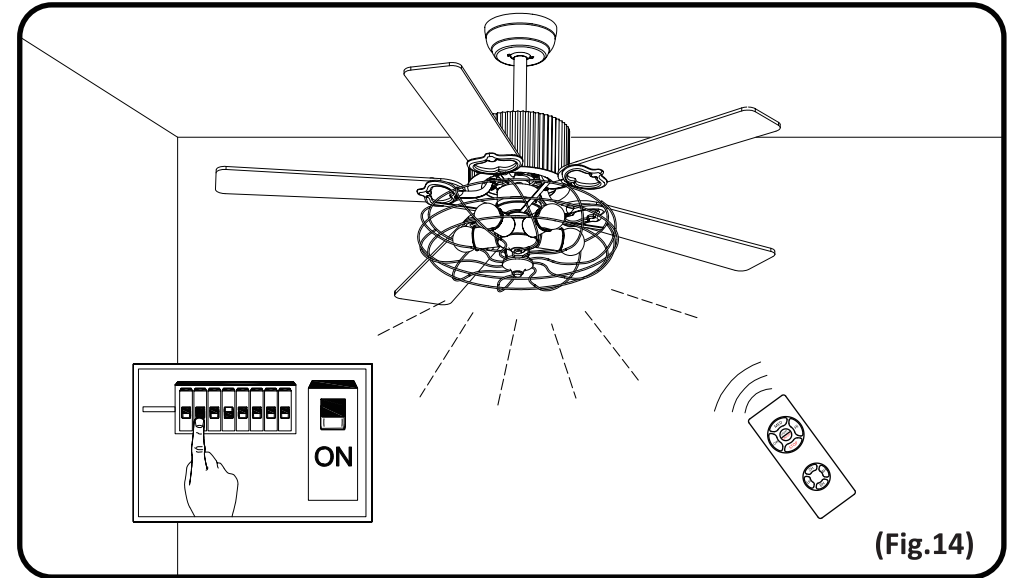
Instructions for the use of fans and lamps

Be sure to check and confirm that the whole installation process conforms to the specifications shown in the instruction manual, and strictly follow the instructions to install and connect cables. Then power on using the remote control using the fan lamp

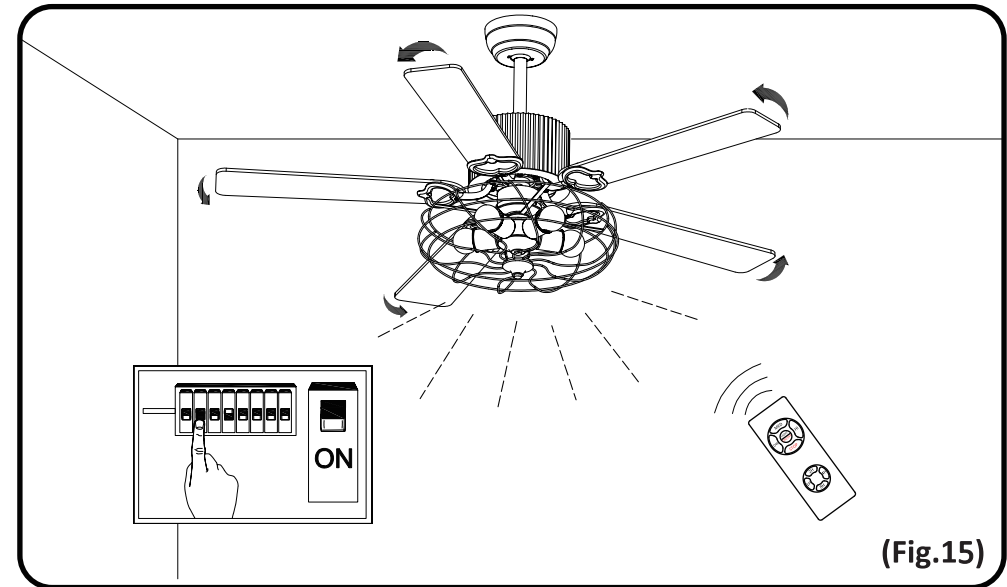


1. Switch on.

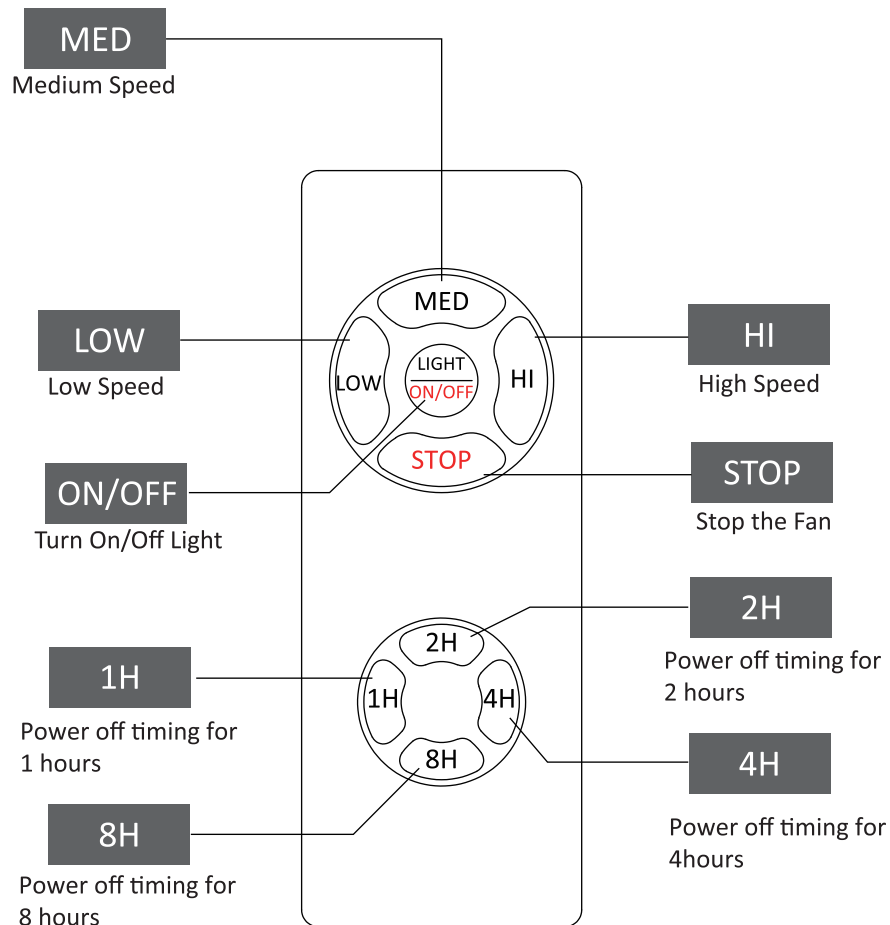
Instructions for the use of fans and lamps



2. Control Light With Remote.



3. Control Fan With Remote.



If you have difficulty operating your new ceiling fan, it may be the result of incorrect assembly, or wiring. In some cases, these installation errors may be regarded as defects of the LED ceiling fan. If you experience any faults, please check this Trouble Shooting Guide. If problem cannot be solved, please consult with your authorized electrician and please feel free to contact us.

Before:

1. This is LED ceiling fan, DO NOT install any dimmer switch for this.
3. Check circuit fuses or breakers and make sure the battery is installed correctly.
4. Check line wire connections to the fan and switch wire connections in the switch housing.

CAUTION: Make sure main power is off.

Problem: Fan doesn't work

- Make sure power switch is on.
- Check the circuit breaker to ensure the power is turned on.
- Make sure the blades spin freely.
- Turn off power from the circuit breaker, then loosen the canopy and check all the connections according to the wiring diagram.

Problem: Excessive Wobbling

- Make sure the blades are properly installed on the blade iron posts.
- Turn the power off, support the fan carefully, and check that the hanger ball is properly seated.
- Use the provided balancing kit and instructions to balance the fan.

Problem: Noisy Operation

- Make sure that the Housing Voltage and Frequency is 120V/60Hz.
- Carefully check if the motor has scrap iron.

Problem: Remote Control of Fan is Erratic

- Make sure the battery is installed correctly.
- Install a fresh battery.