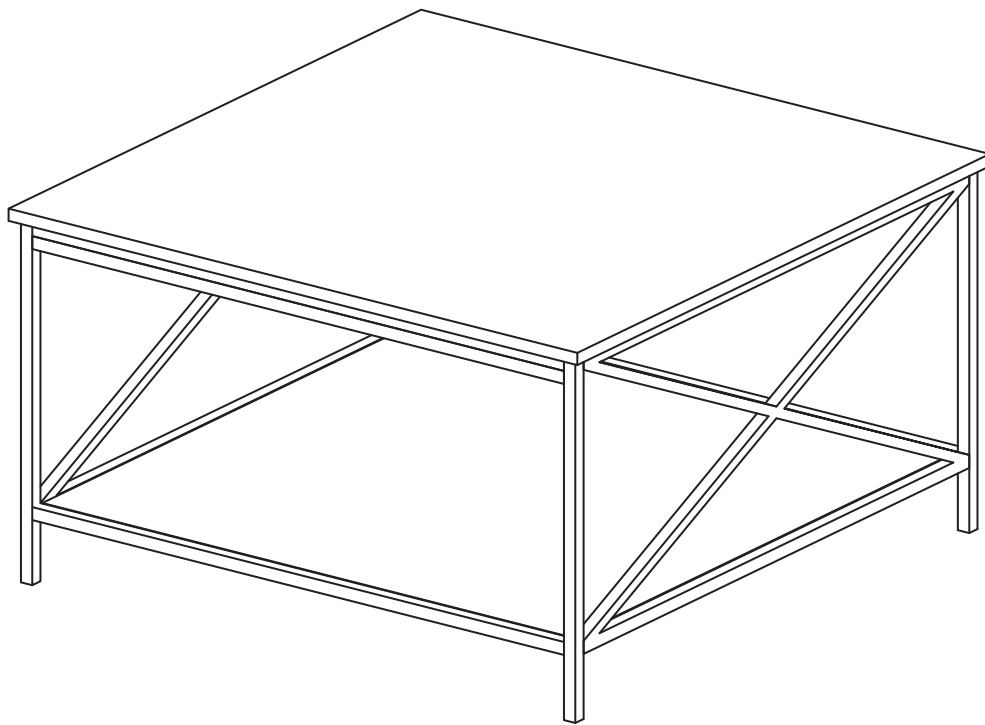


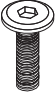

SQUARE COFFEE TABLE





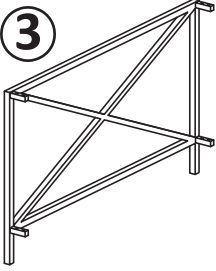


ASSEMBLY INSTRUCTIONS

We have designed our furniture with you , the customer in mind . Our clear , easy to follow , step by step instructions will guide you through the project from start to finish . Feel confident that this will be a fun and rewarding project . The final product will be a quality piece of furniture that will go together smoothly and give years of enjoyment .

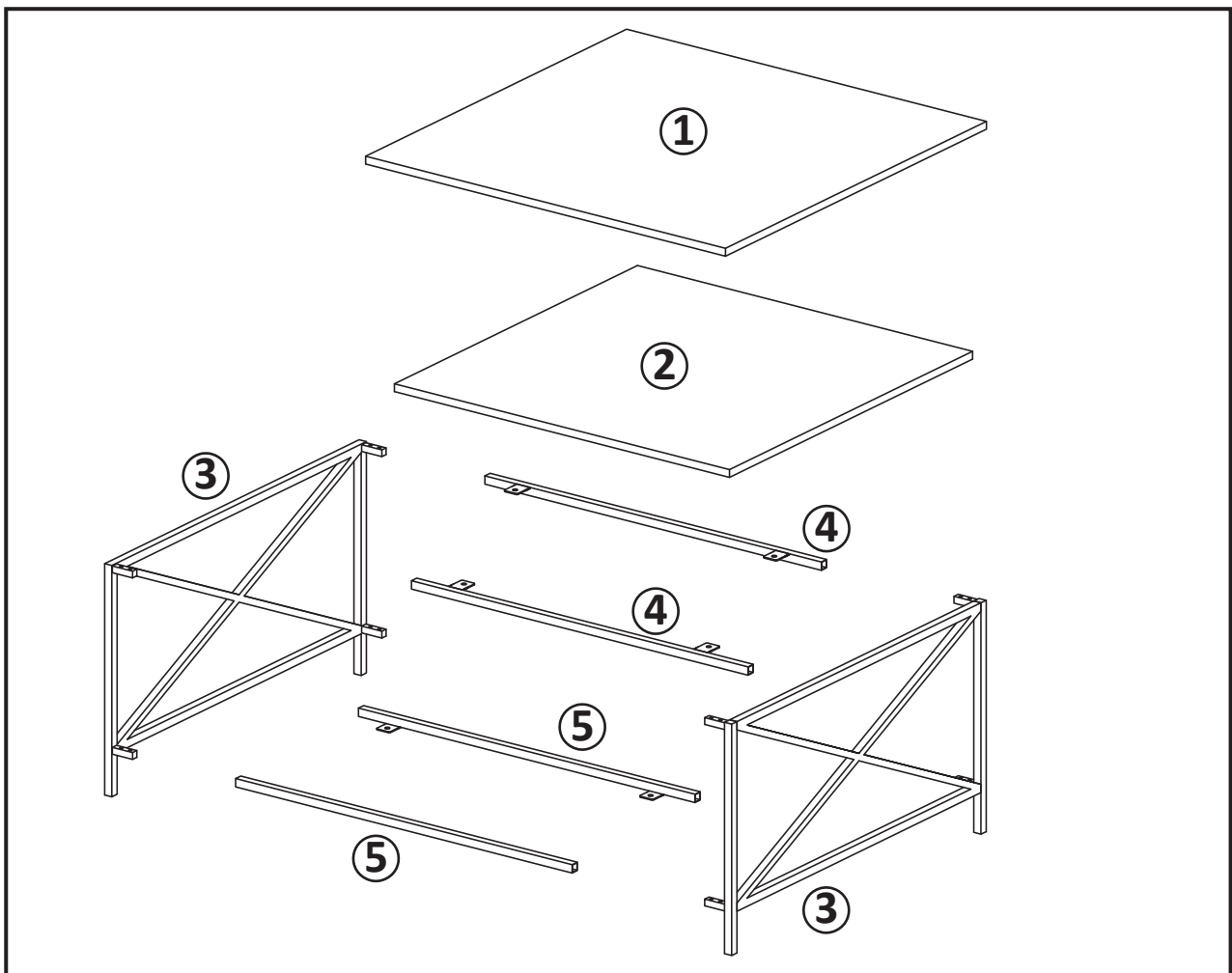
Hardware List

A	B		
			
Screw (24pcs)	Allen Wrench (1pc)		

Panel List

1	2	3	
			
Top panel (1pc)	Bottom panel (1pc)	Side frame (2pcs)	
4	5		
			
Top rail (2pcs)	Bottom rail (2pcs)		

Exploded Views

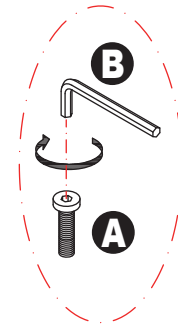
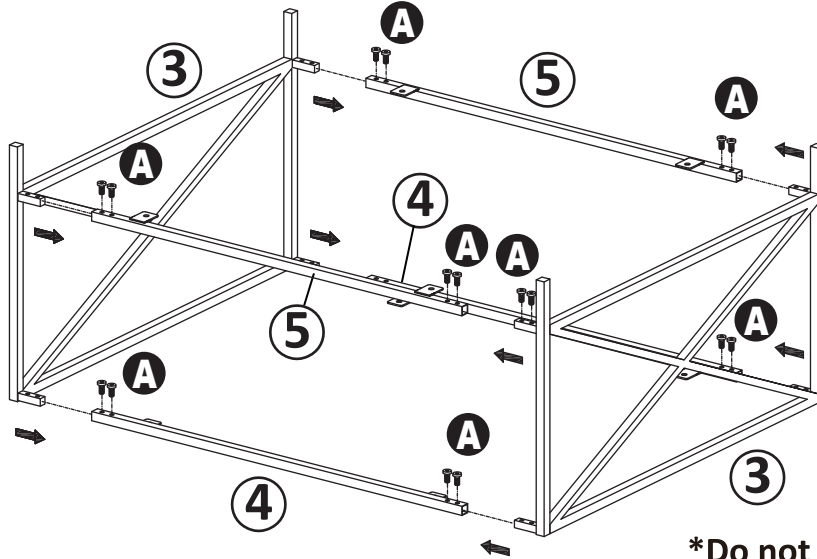


Please count and verify all parts before assembly.

Step 1

*Assemble unit on carpet or flat surface.

1. Connect the side frames (3) top rails (4) and bottom rails (5) with screws (A) and allen wrench (B).



A



x16

B

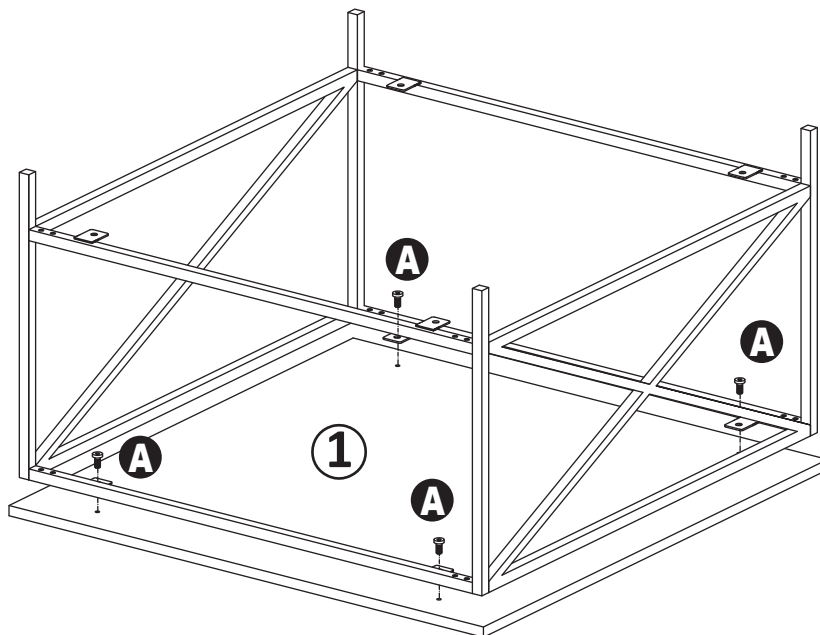


x1

*Do not fully tighten Screws(A) until all have been started.

Step 2

1. Connect top panel (1) to assembly with screws (A) and allen wrench (B).



A

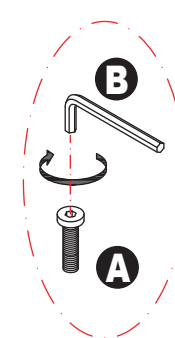


x4

B



x1



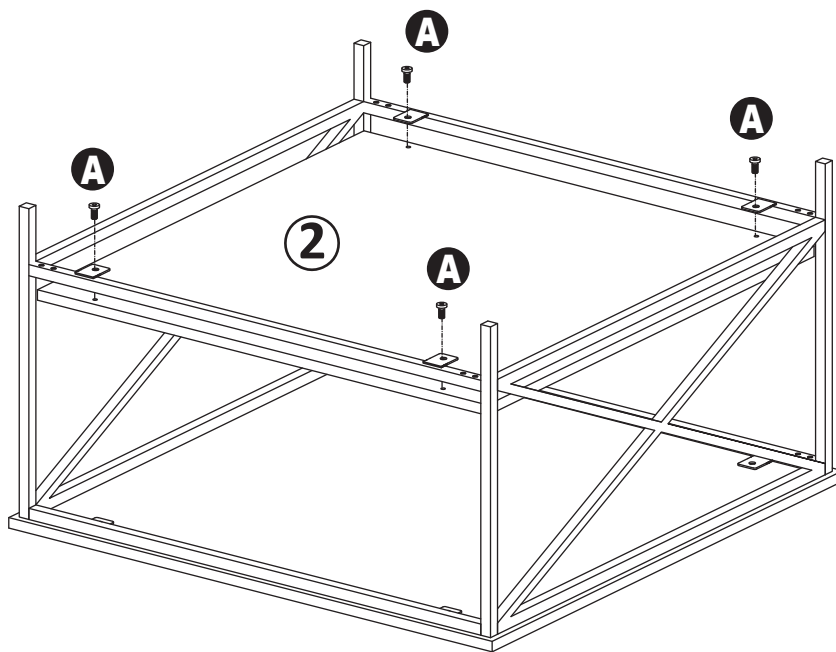
B



A

Step 3

1. Connect bottom panel (2) to assembly with screws (A) and allen wrench (B).



A

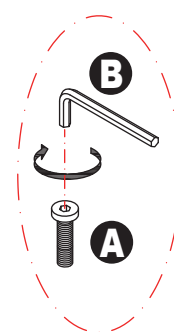


x4

B



x1



Step 4

1. Enjoy!

