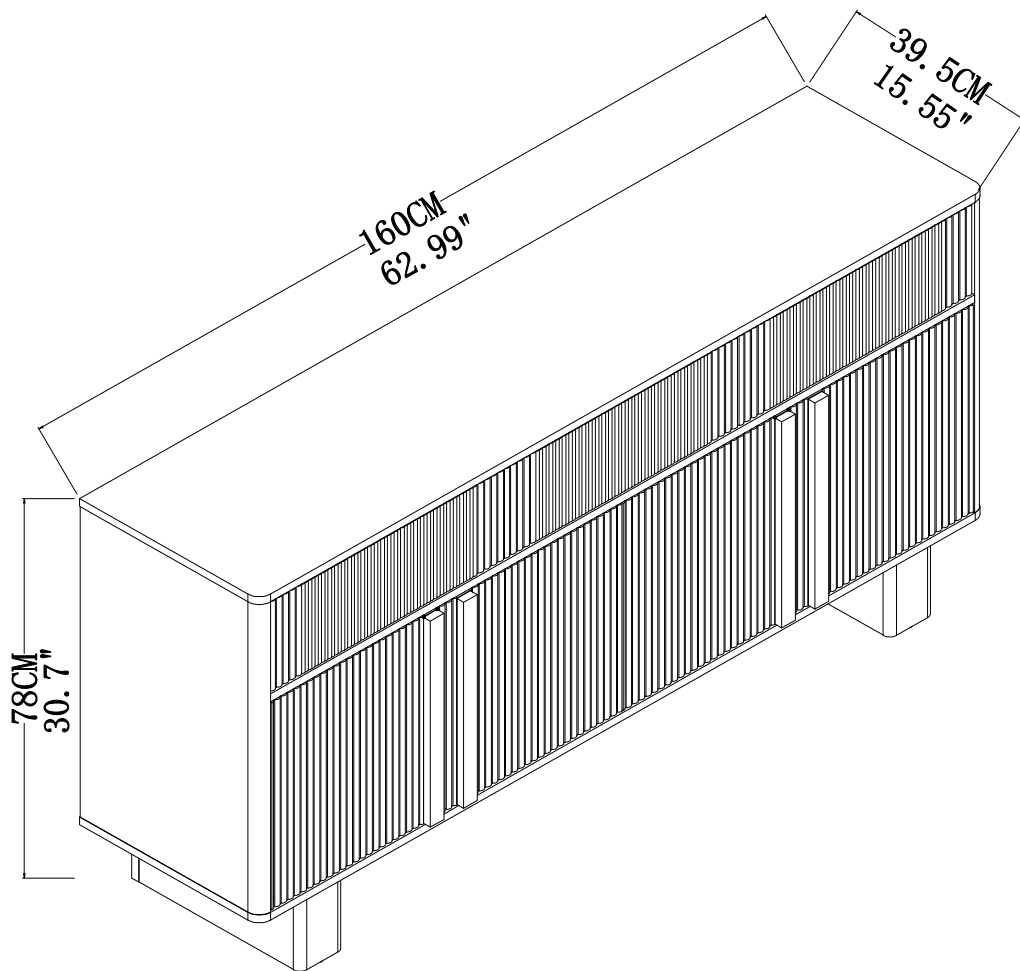
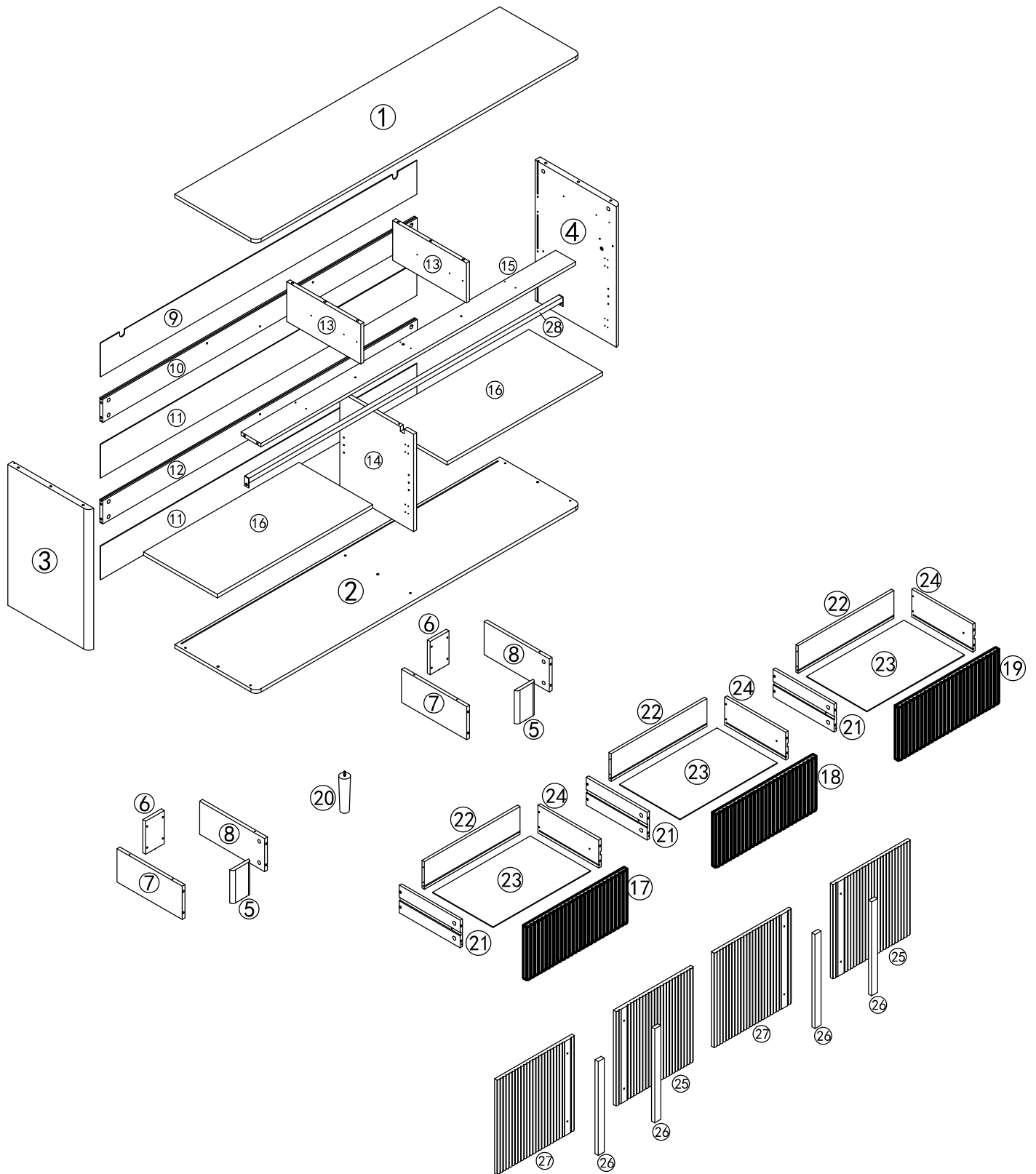


# Assembly Instruction of (Cabinet)

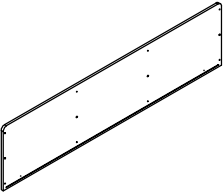
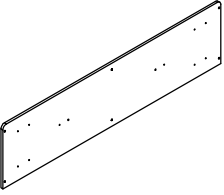
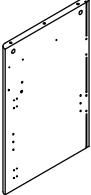
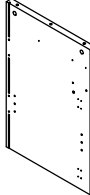
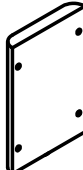
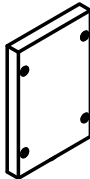
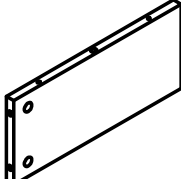
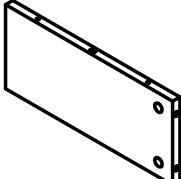
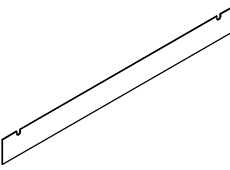
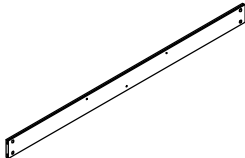
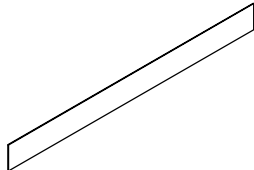
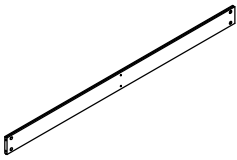
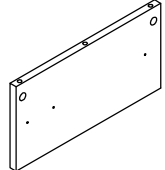
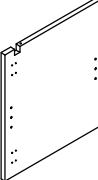
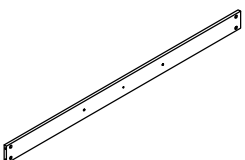
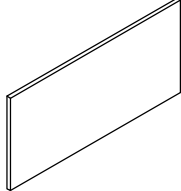
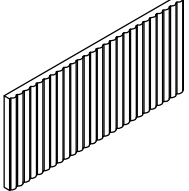
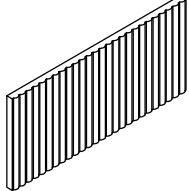
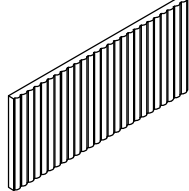

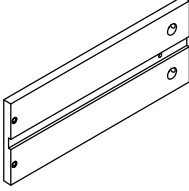
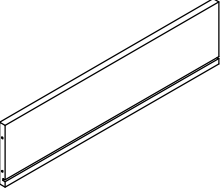
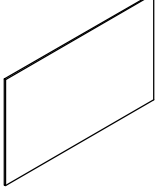
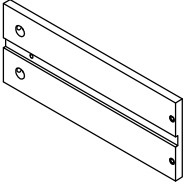
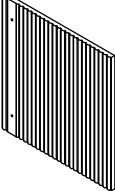

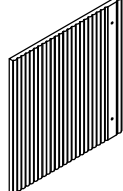
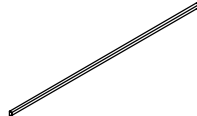




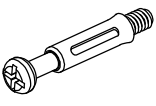
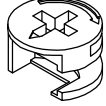

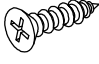
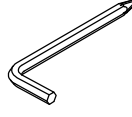
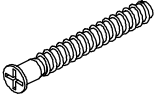
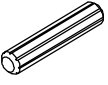
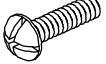
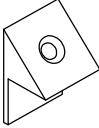
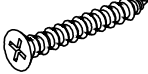
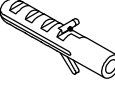
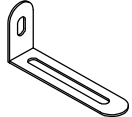


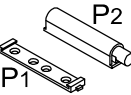
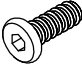
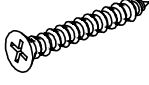
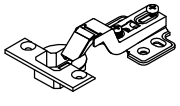
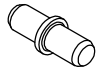
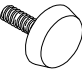
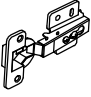

**⚠ Caution**

Please ensure all parts are included. Most board components are labeled or stamped on the raw edges. If you find any damaged or missing parts, feel free to contact us for a free replacement.

# Parts List

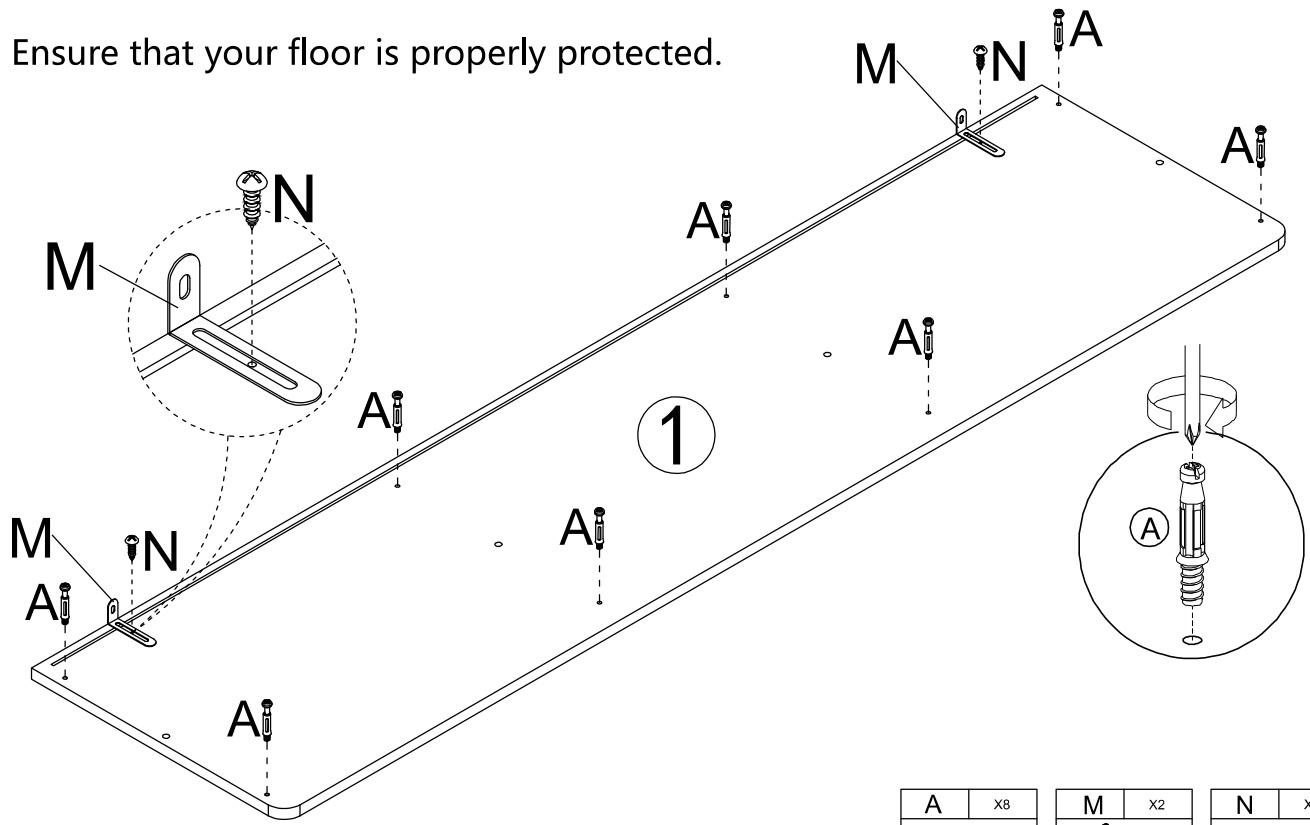
				
① 1PC	② 1PC	③ 1PC	④ 1PC	⑤ 2PCS
				
⑥ 2PCS	⑦ 2PCS	⑧ 2PCS	⑨ 1PC	⑩ 1PC
				
⑪ 2PCS	⑫ 1PC	⑬ 2PCS	⑭ 1PC	⑮ 1PC
				
⑯ 2PCS	⑰ 1PC	⑱ 1PC	⑲ 1PC	⑳ 1PC
				
㉑ 3PCS	㉒ 3PCS	㉓ 3PCS	㉔ 3PCS	㉕ 2PCS
				
㉖ 4PCS	㉗ 2PCS	㉘ 1PC		




# Hardware List

A	B	C	D	E	F
 M6x35mm		 Silver color M3.5x14mm	 Black color M3x16mm	 4mm	 M5x40mm
40PCS	40PCS	72PCS	10PCS	1PC	30PCS
G	H	I	J	K	M
	 M4x10mm		 M4x35mm		
11PCS	6PCS	10PCS	14PCS	2PCS	2PCS
N	O	P	Q	R	S
 M4x12mm		 P1 P2	 M6x12mm	 M4x25mm	
2PCS	6PCS	3PCS	2PCS	8PCS	4PCS
T	U	V	W		
	 M6x20mm				
8PCS	1PC	4PCS	8PCS		

1

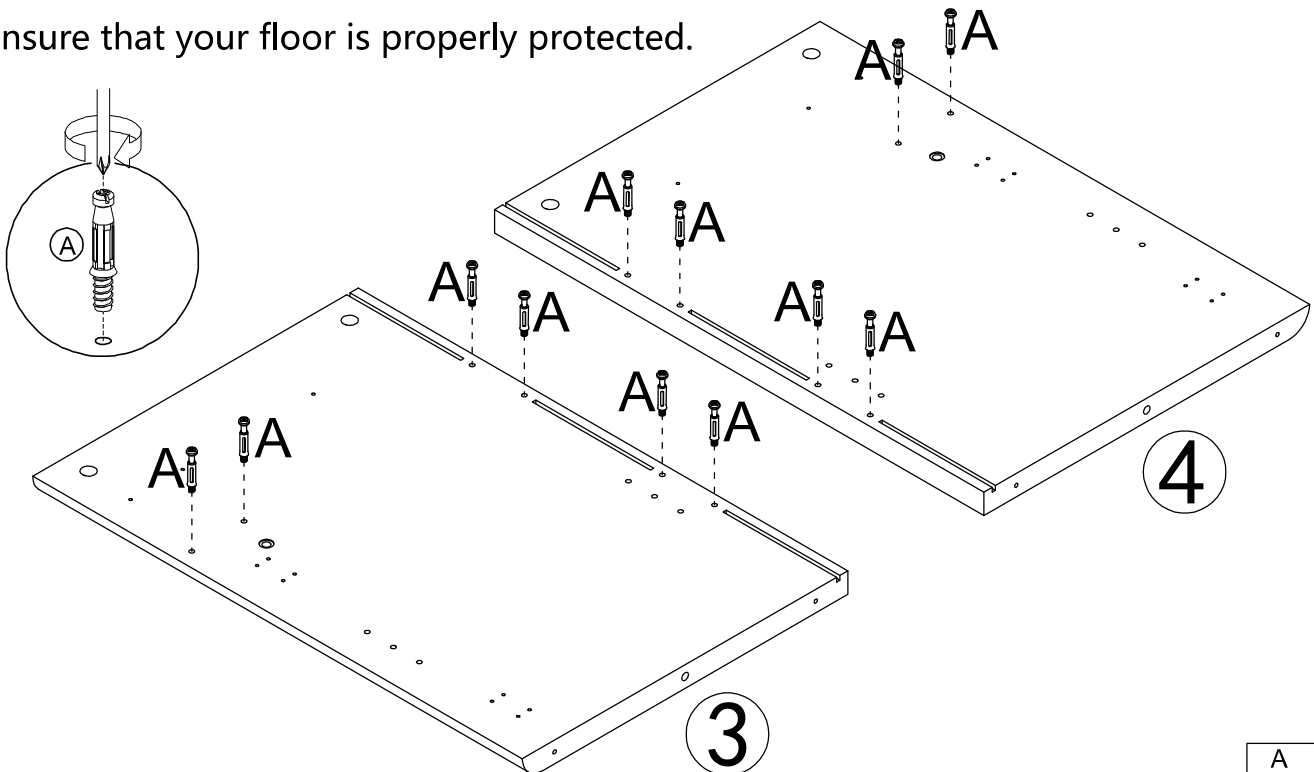
Ensure that your floor is properly protected.




A	x8	M	x2	N	x2
					
M6x35mm				M4x12	

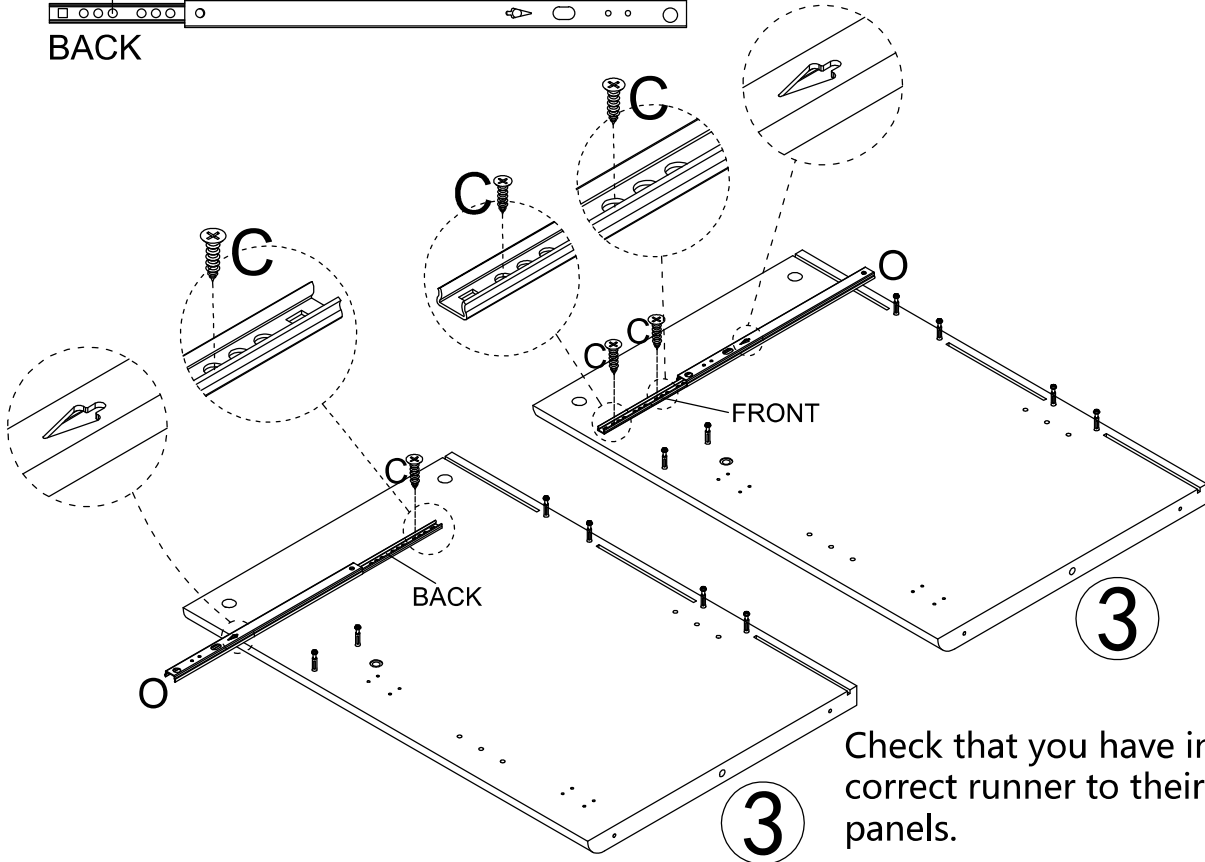
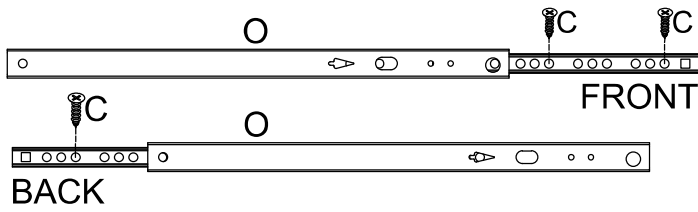
2

Ensure that your floor is properly protected.



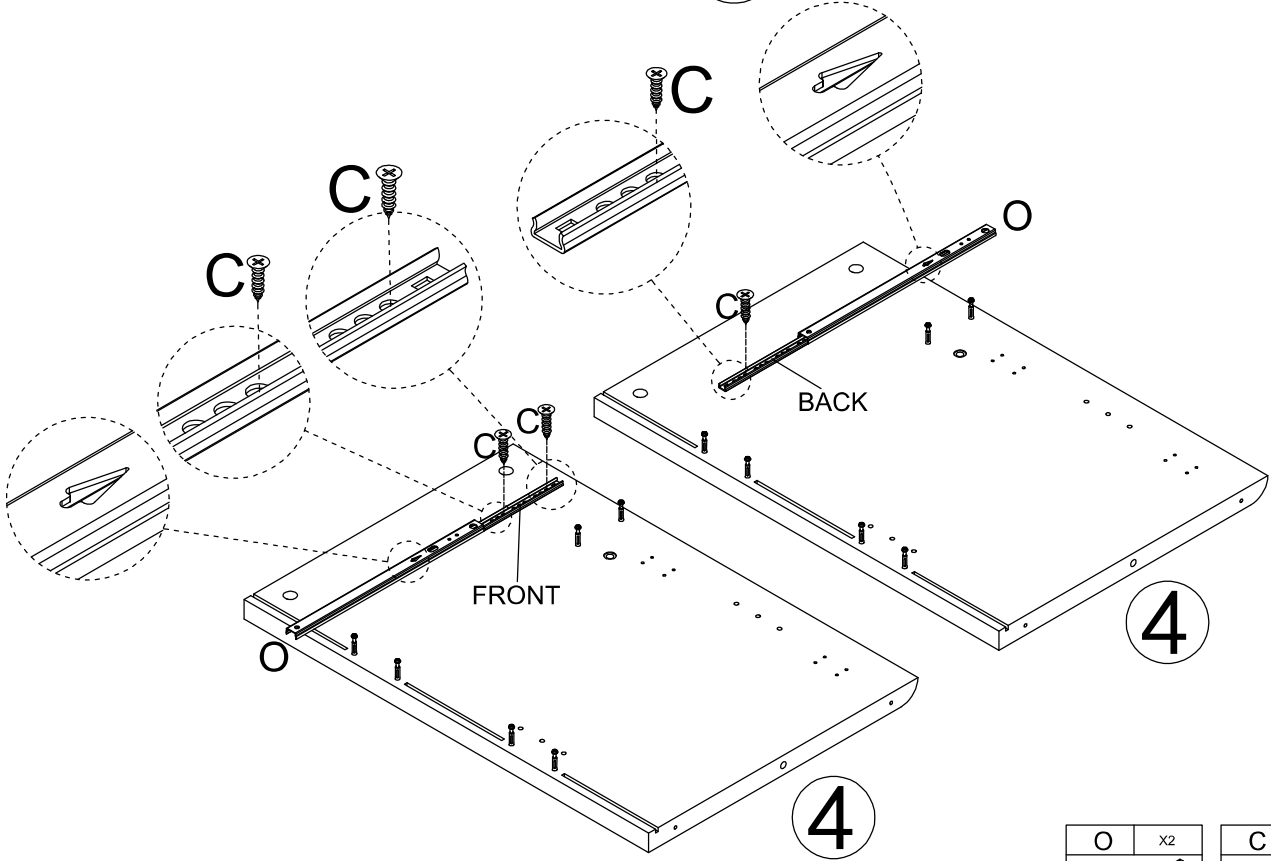
A	x12
	
M6x35mm	

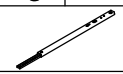

3



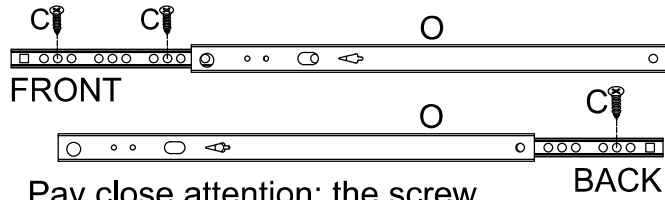
Check that you have installed the correct runner to their respective panels.

3



O	x2	C	x6
			
		Silver color	
		M3.5x14mm	

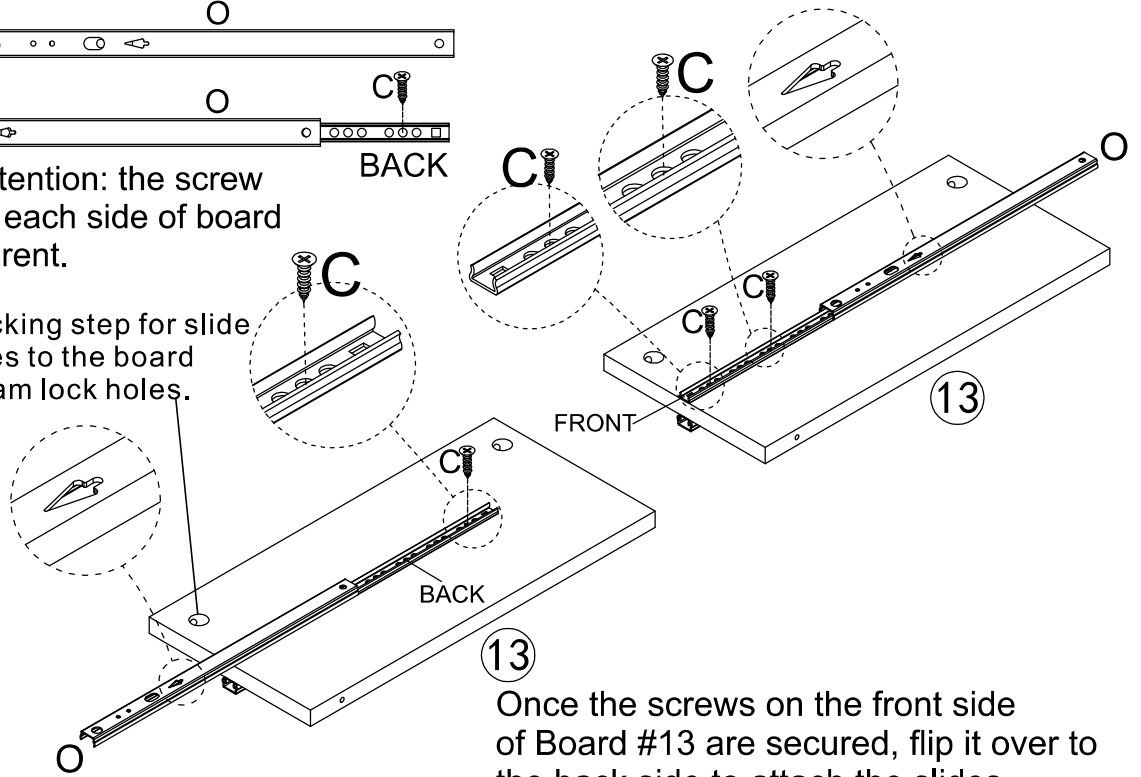
4



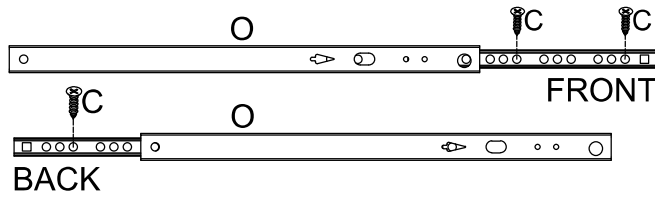
FRONT

Pay close attention: the screw positions on each side of board #13 are different.

NOTE: This locking step for slide rail only applies to the board side with the cam lock holes.



Once the screws on the front side of Board #13 are secured, flip it over to the back side to attach the slides.



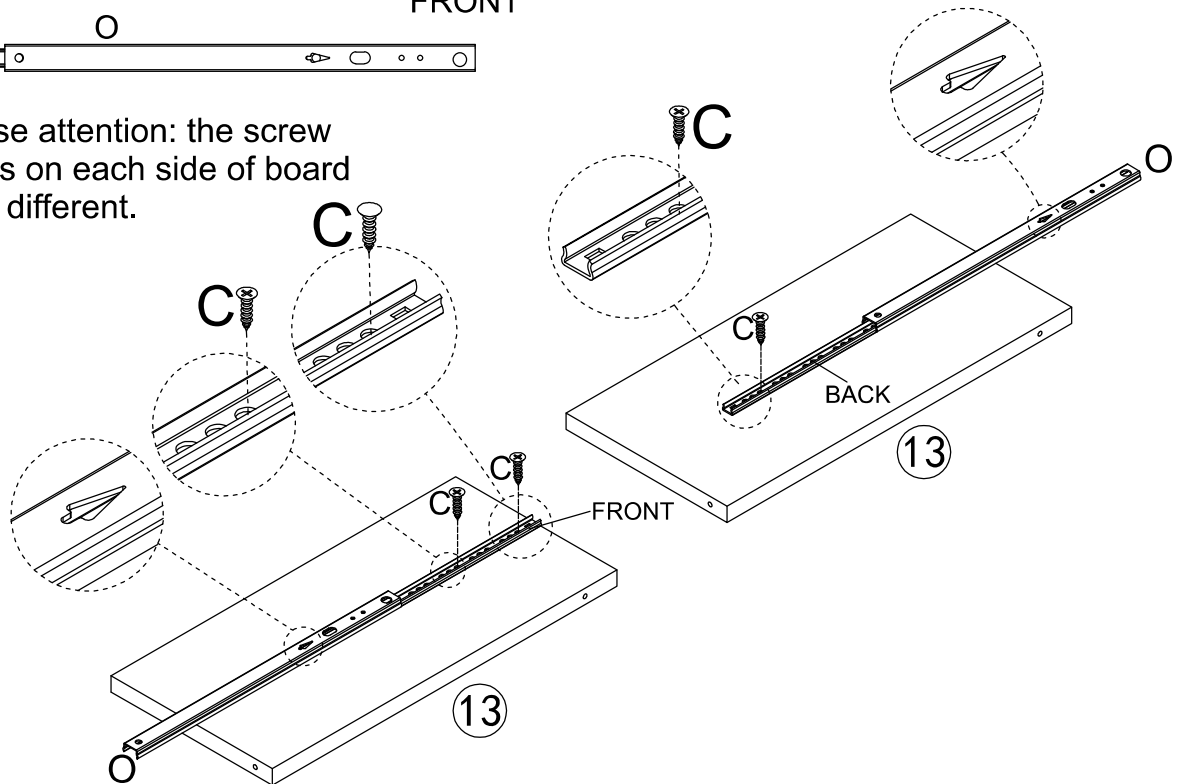
FRONT

BACK

Pay close attention: the screw positions on each side of board #13 are different.



X2

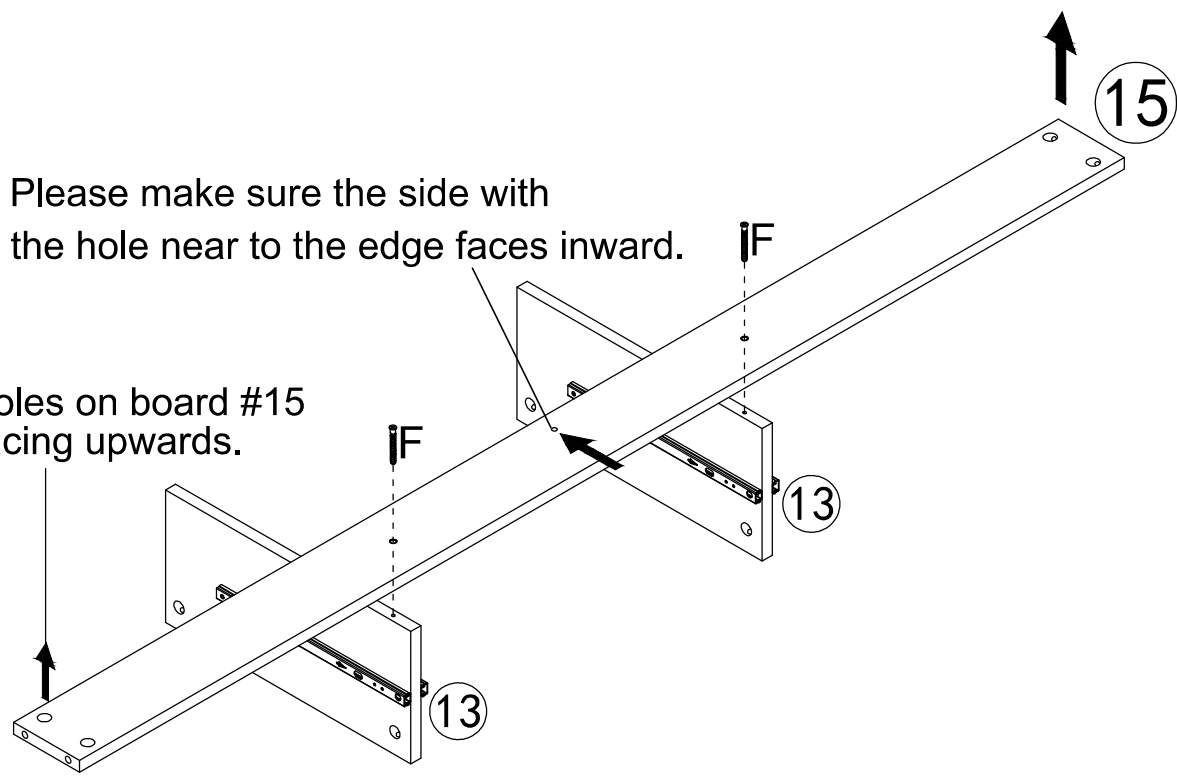



O	x4	C	x12
		Silver color	
		M3.5x14mm	

5

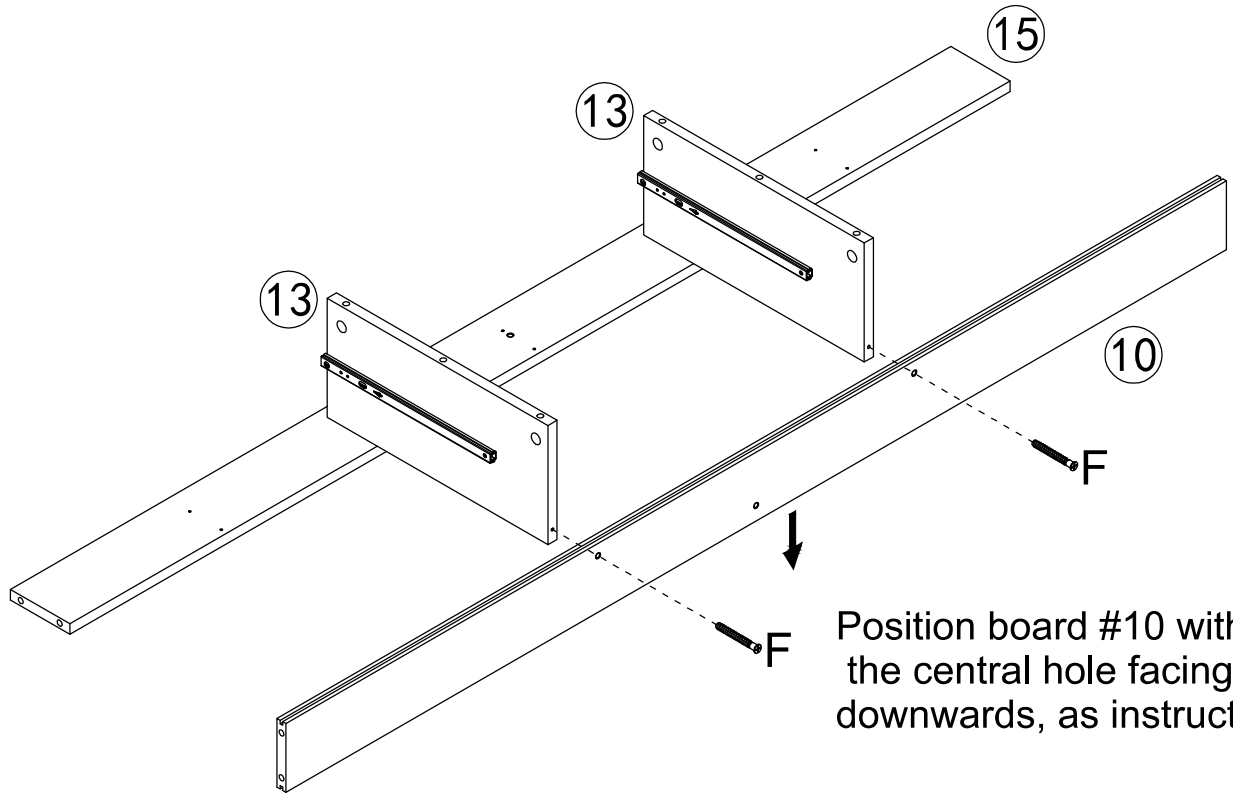
Please make sure the side with the hole near to the edge faces inward.

The holes on board #15 are facing upwards.




F	x2
	
M5x40mm	

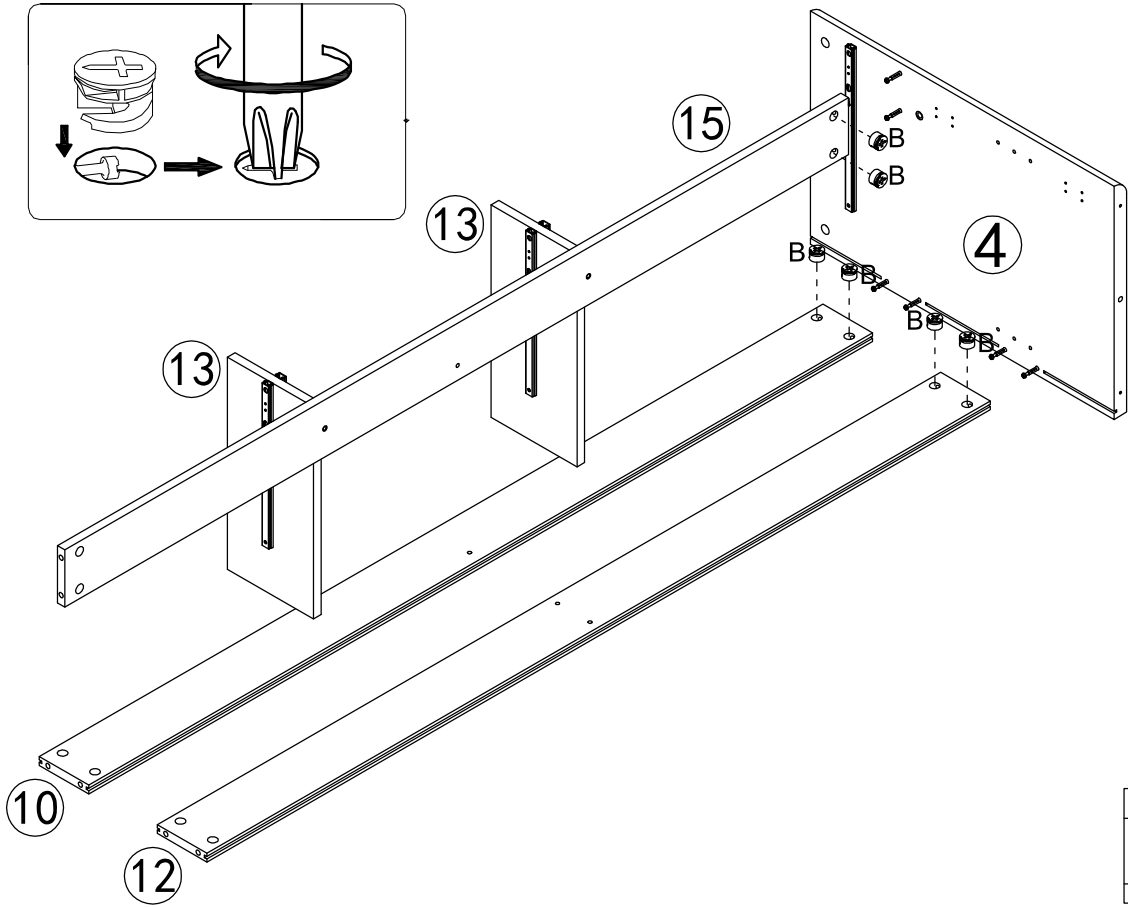
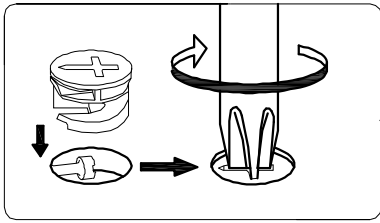
6



Position board #10 with the central hole facing downwards, as instructed.

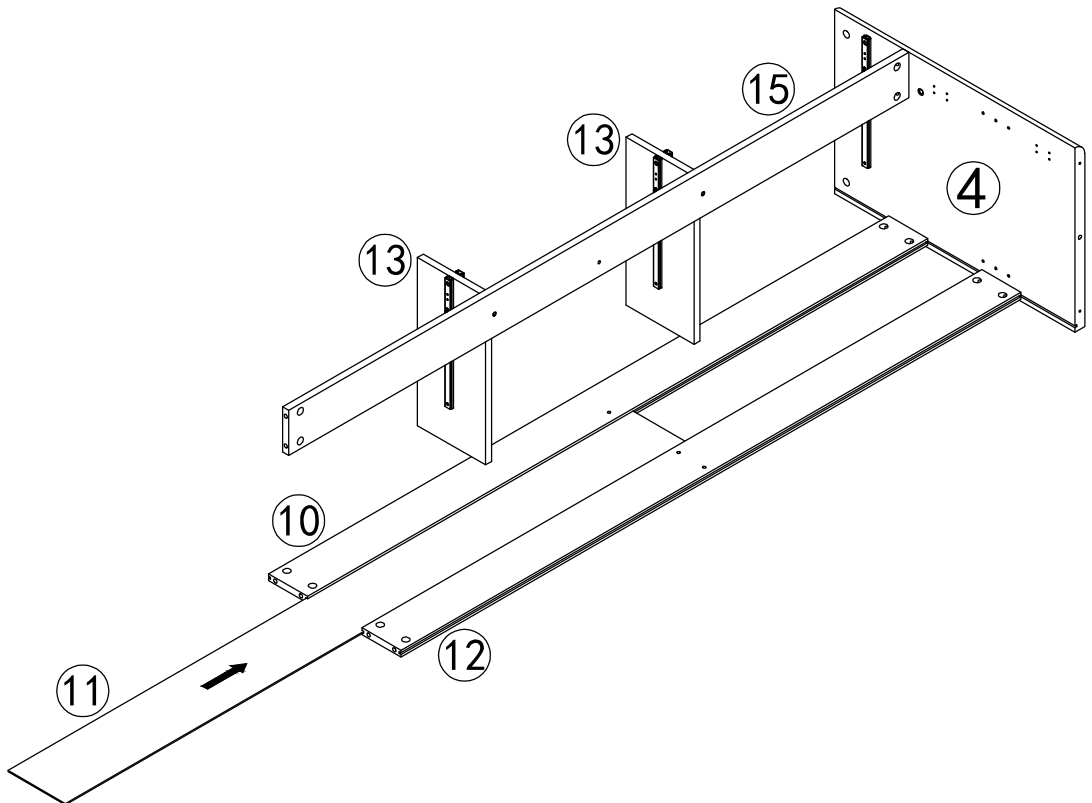
F	x2
	
M5x40mm	

7

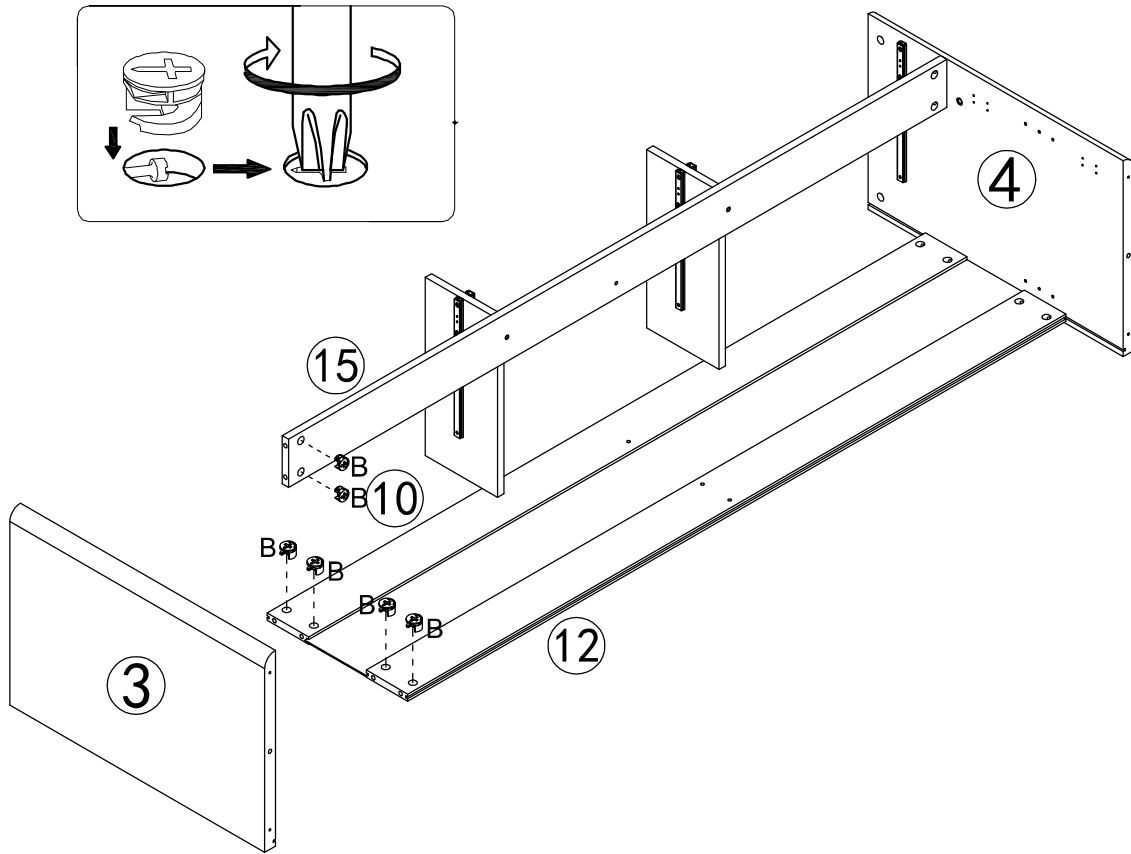



B	X6

8

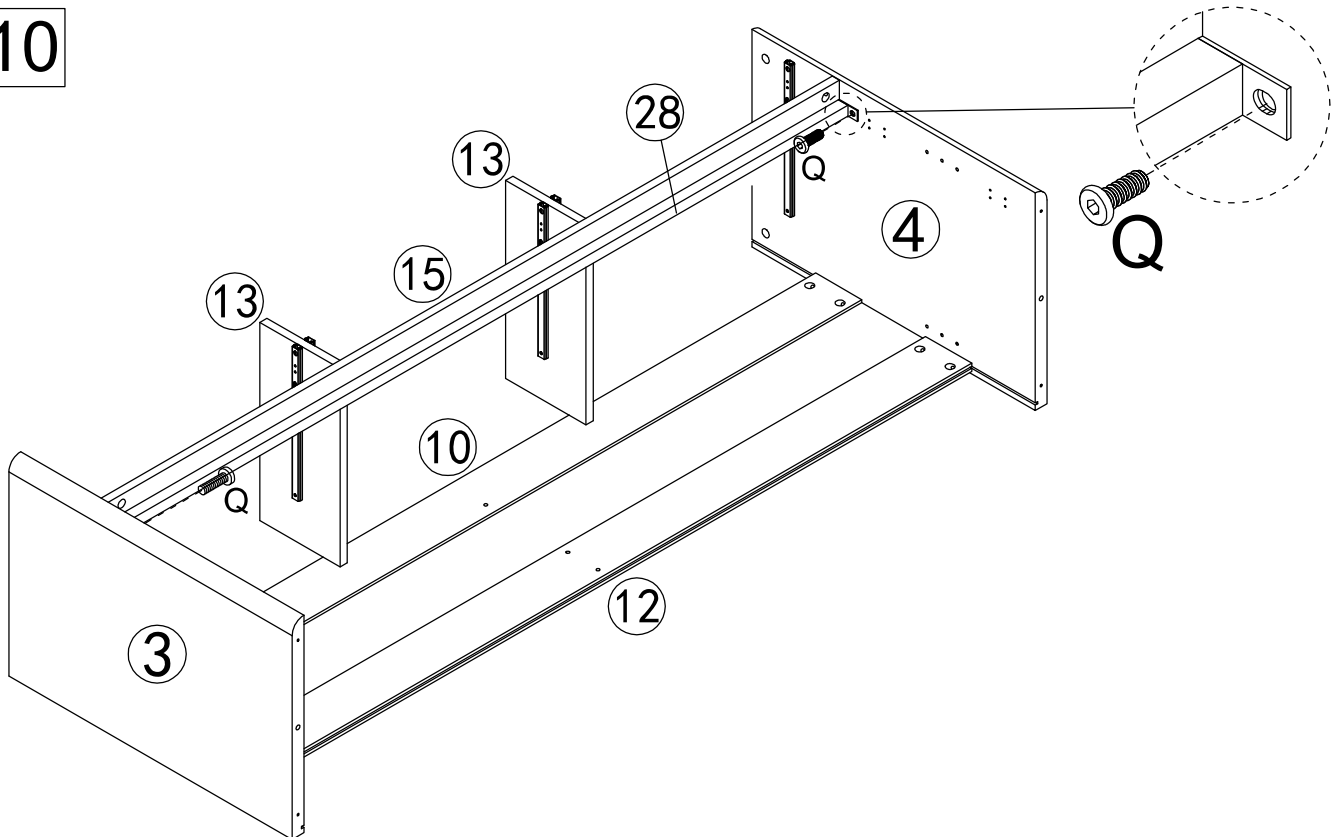




9



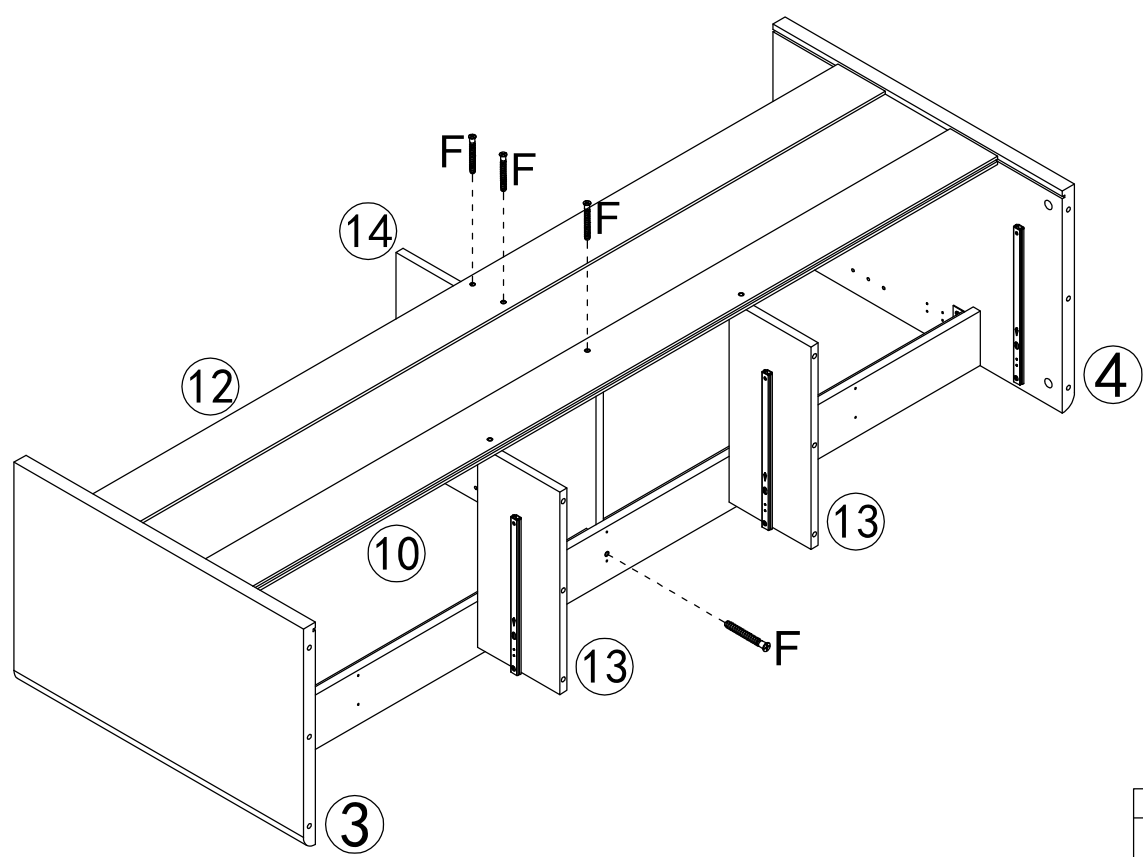
B	X6
	

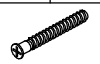
10



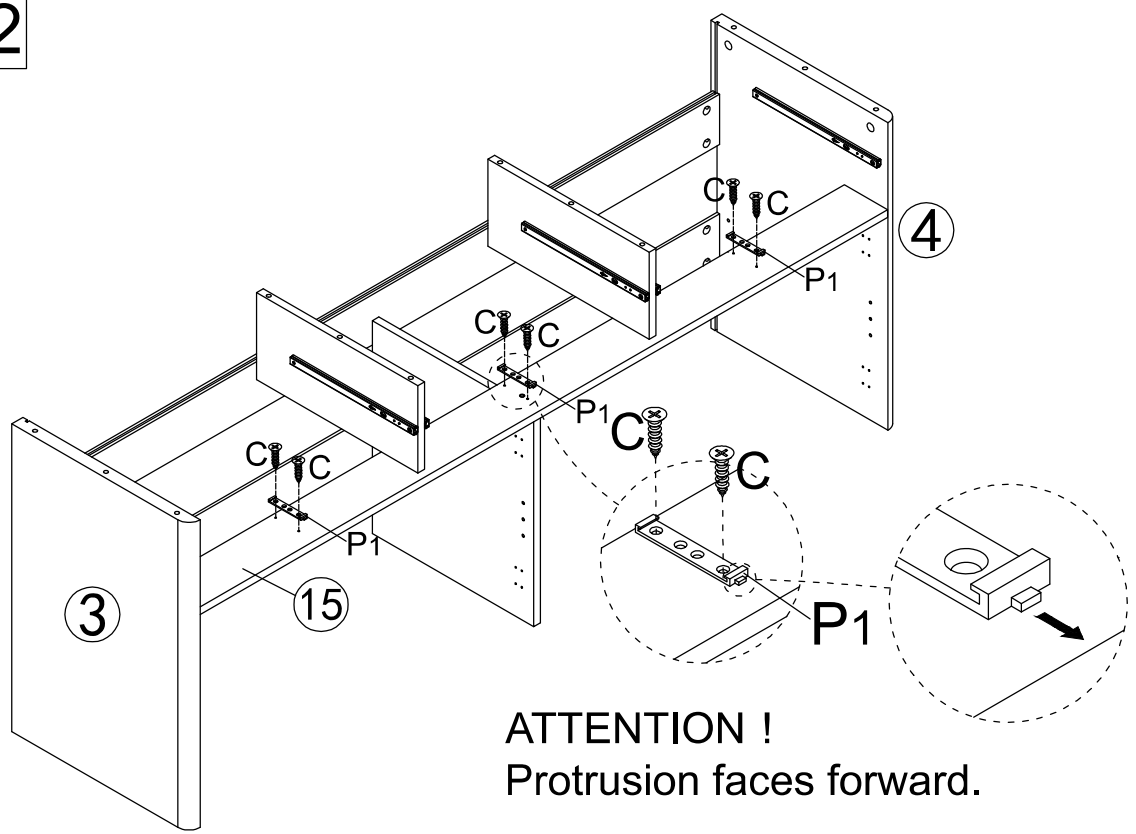
28	X1	Q	X2
			
		M6x12mm	

11





F	x4
	
M5x40mm	

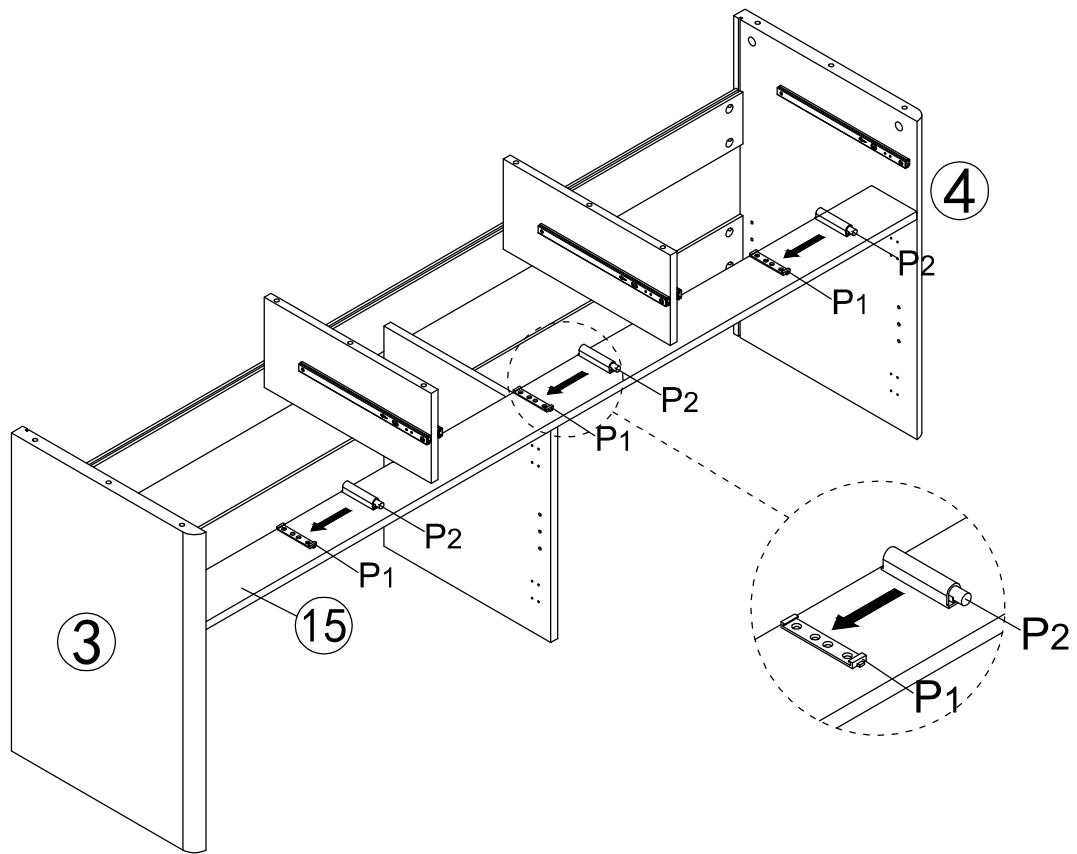
12



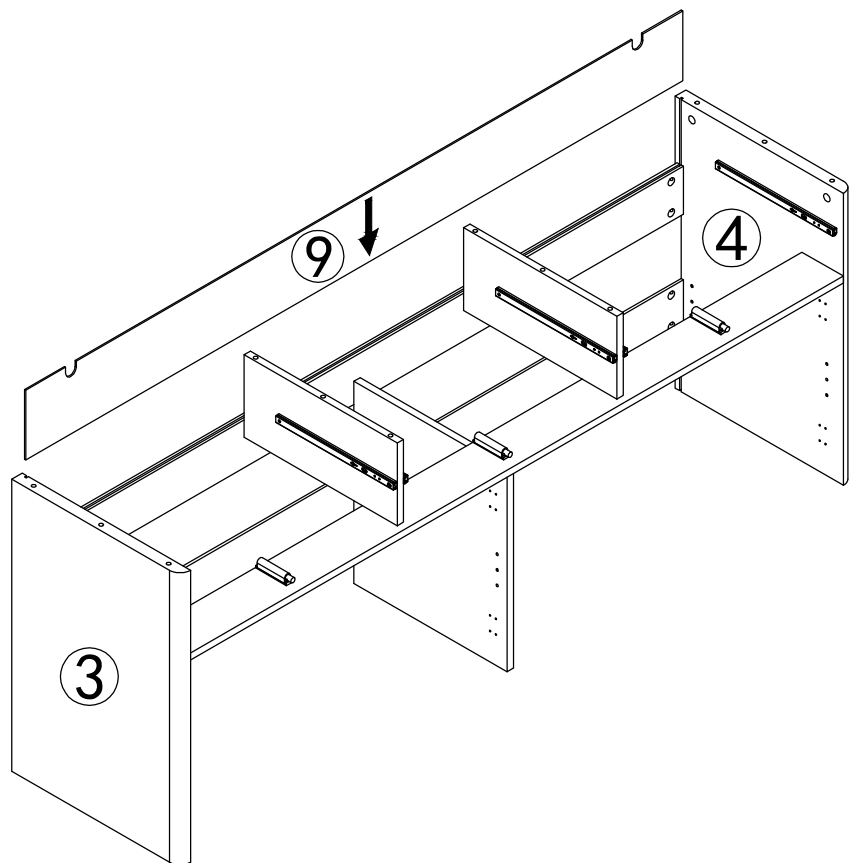
**ATTENTION !**  
Protrusion faces forward.

P1	x3	C	x6
			
P1		Silver color	
		M3,5x14mm	

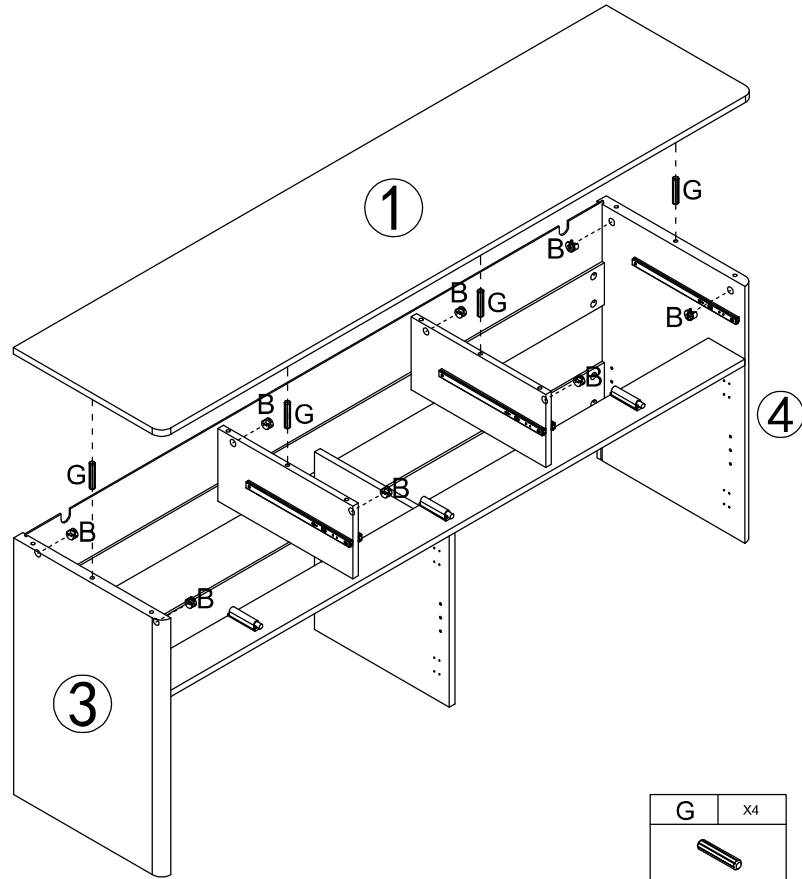
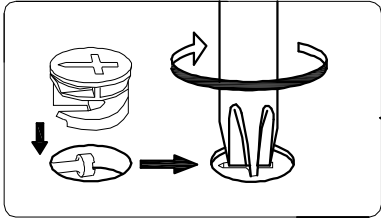
13



14

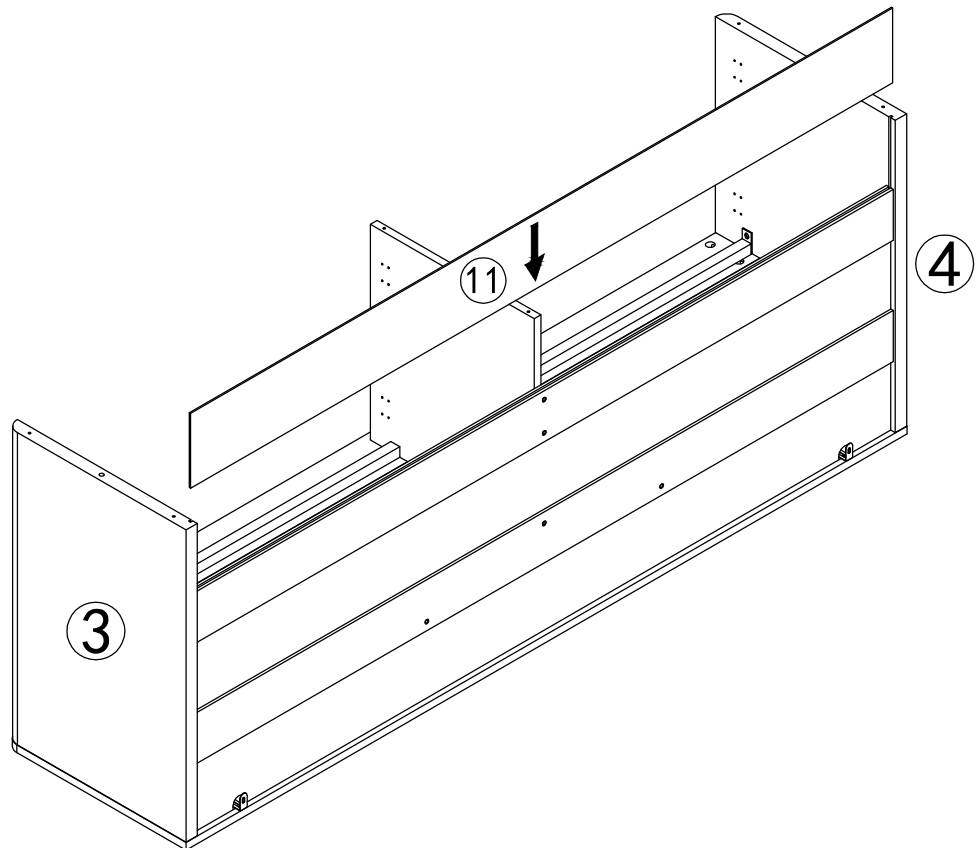


15

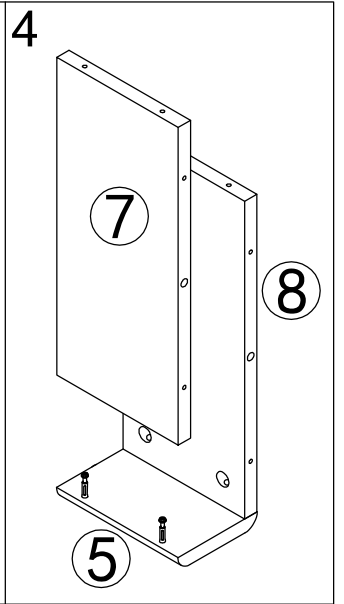
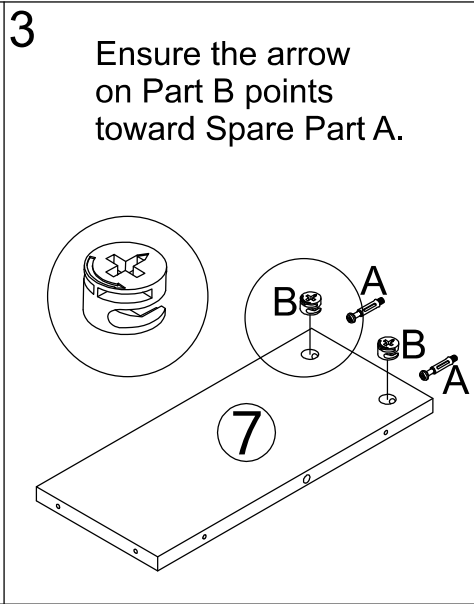
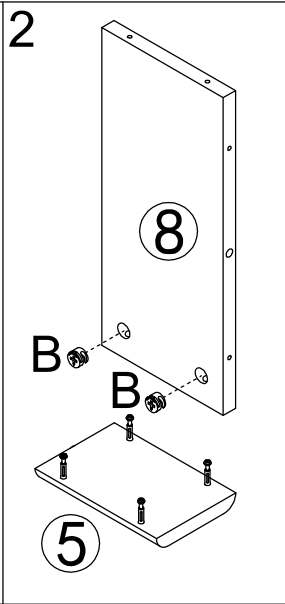
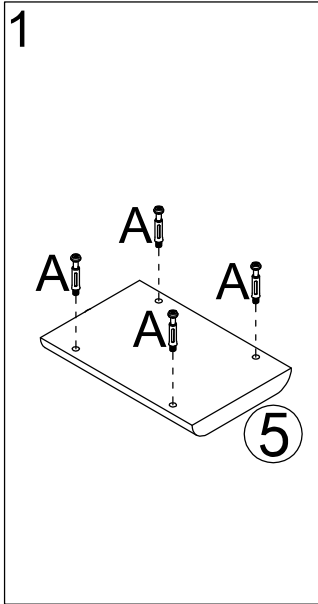
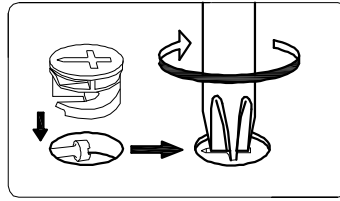
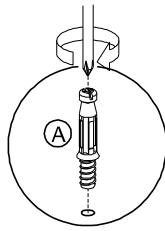


G	X4	B	X8


16




17

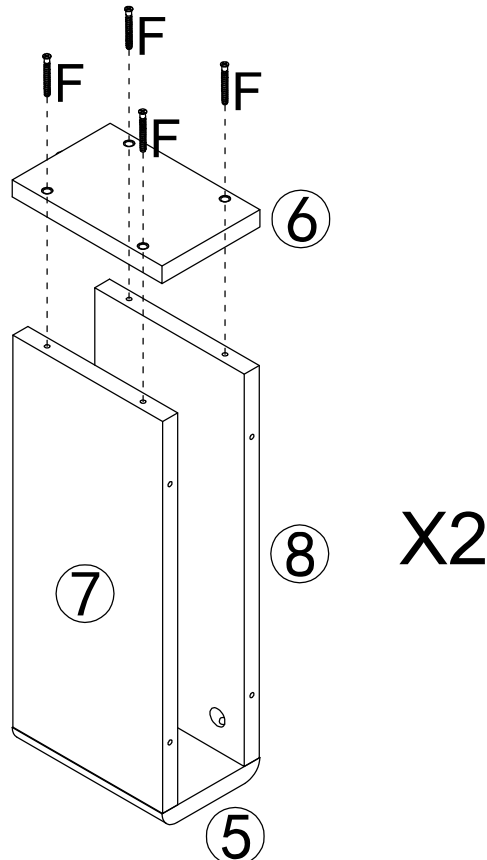


X2


A	x8
	
M6x35mm	

B	x8
	

18

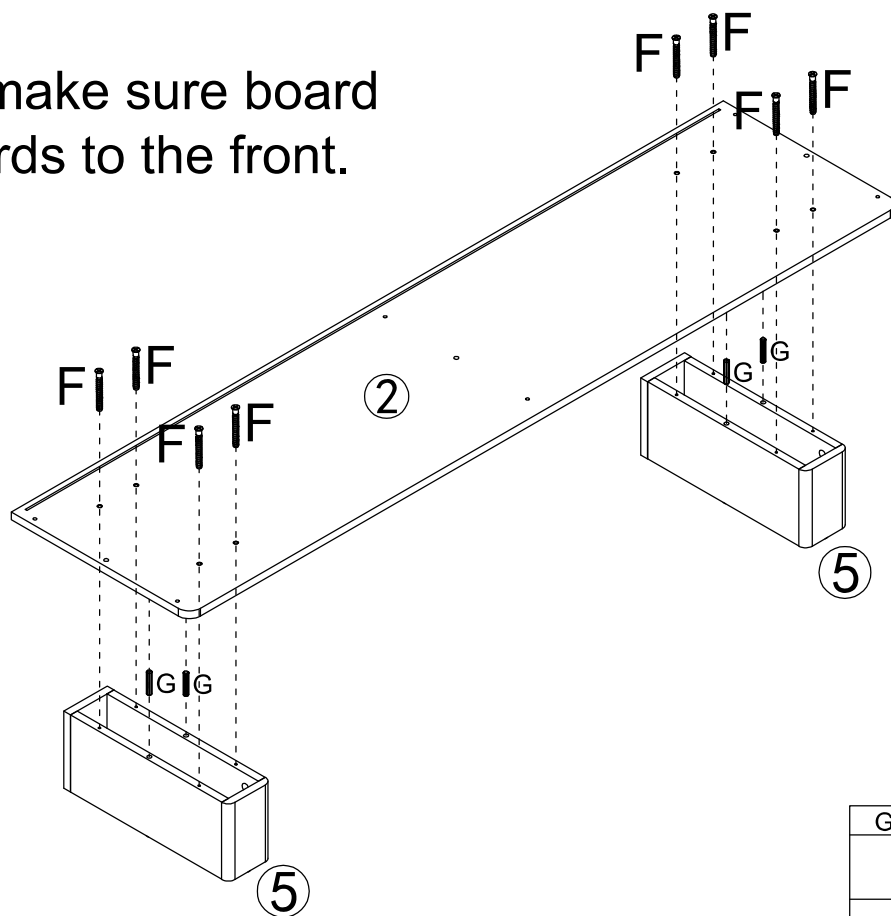



X2


F	x8
	
M5x40mm	

19

Please make sure board #5 towards to the front.

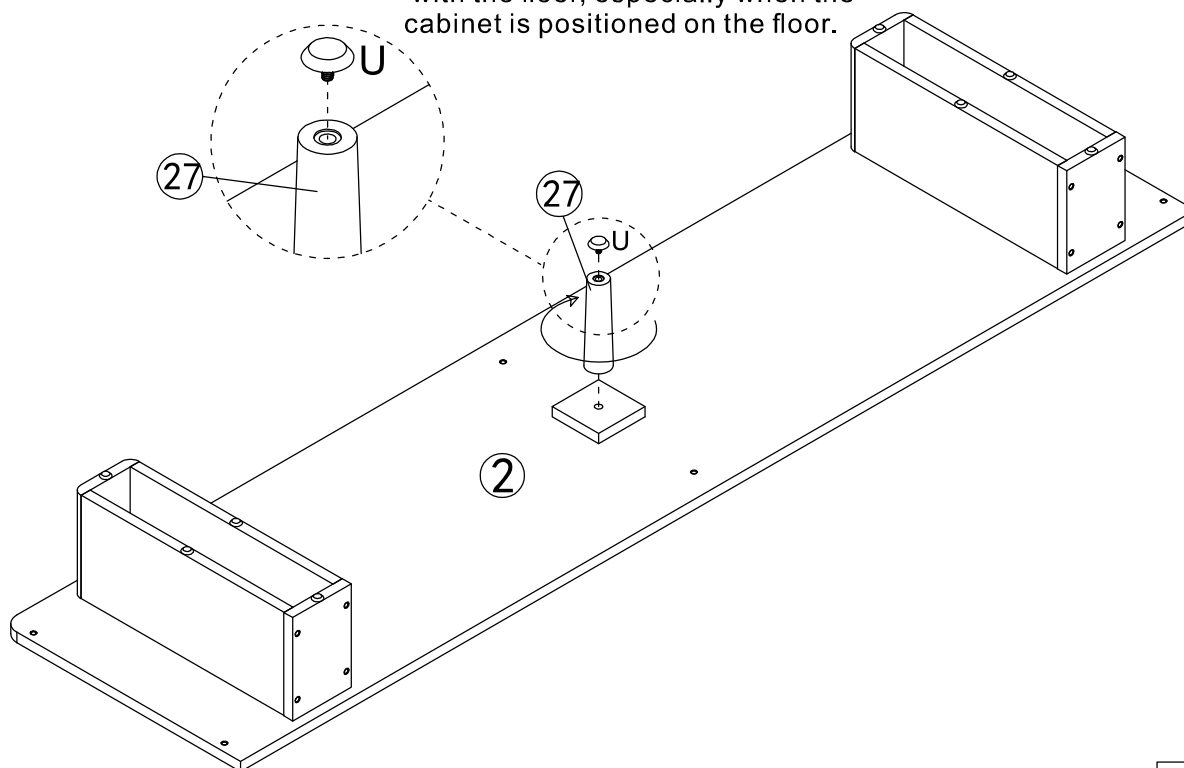



G	x4
	

F	x8
	
M5x40mm	

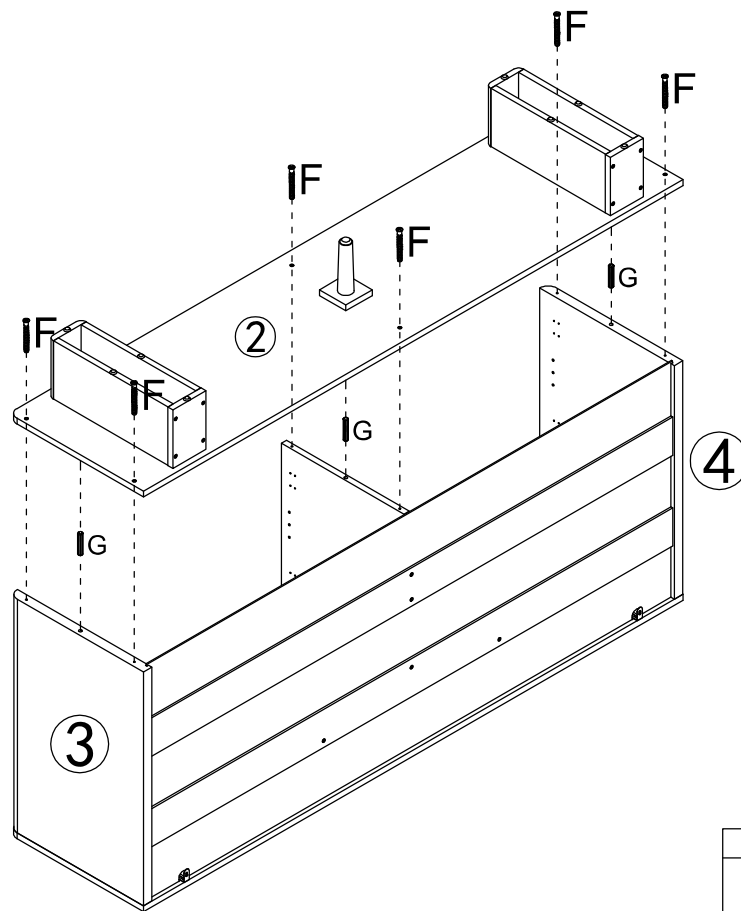
20

Adjust the foot pads until the wooden legs make full contact with the floor, especially when the cabinet is positioned on the floor.



U	x1
	
M6x20mm	

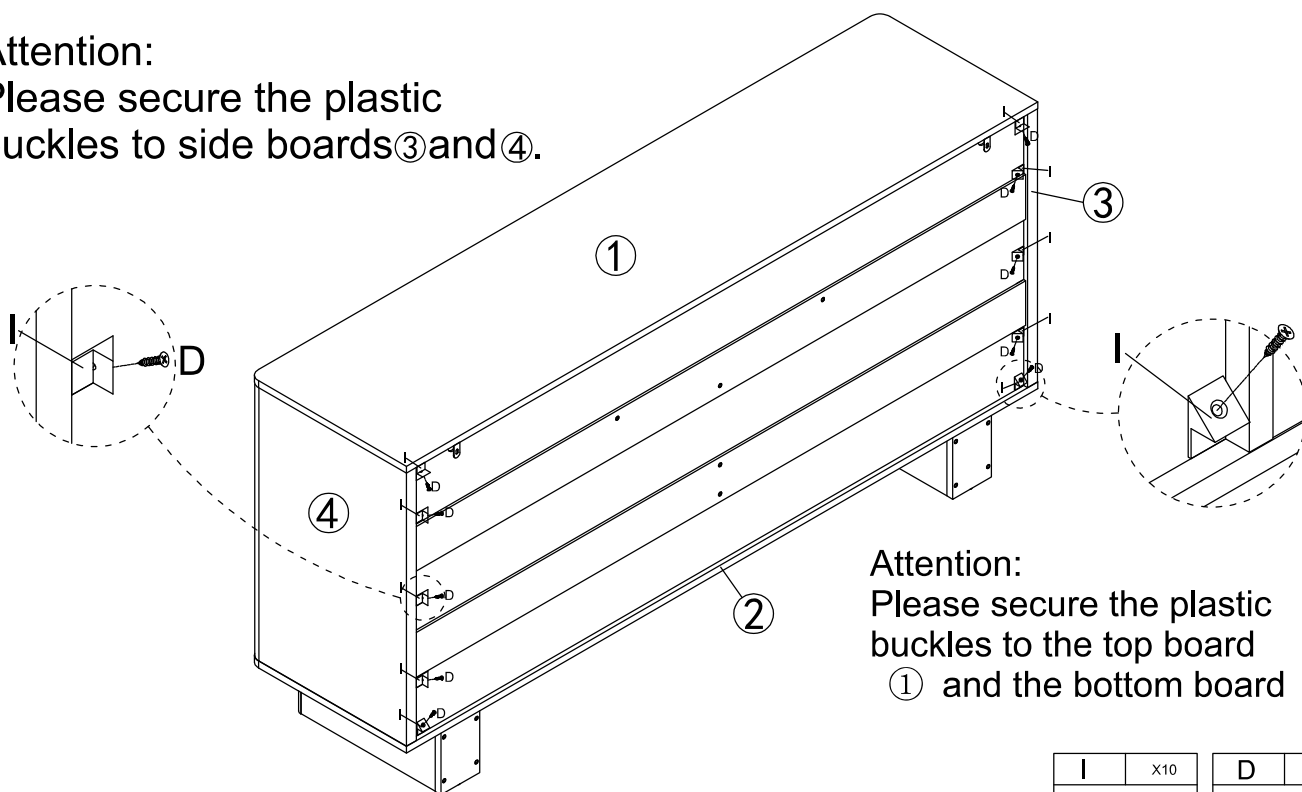
21



G	X3	F	X6
		M5x40mm	

22

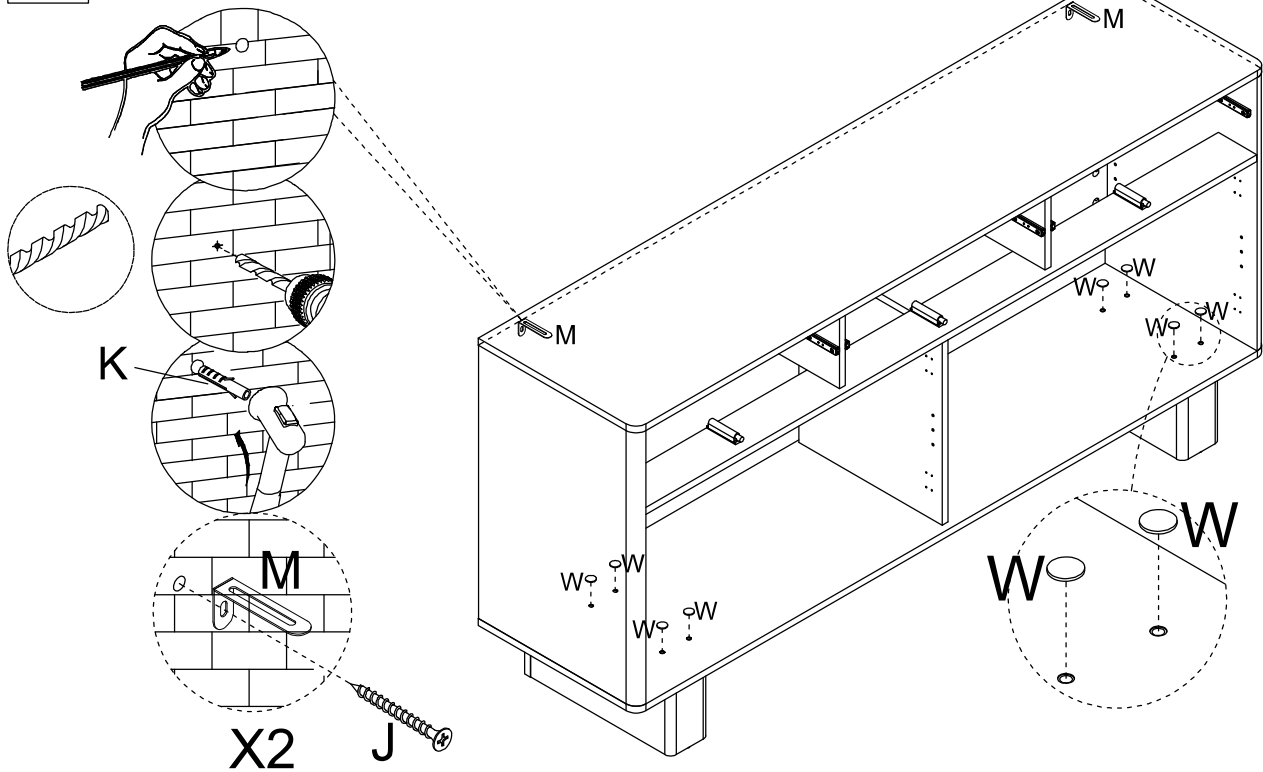
Attention:  
Please secure the plastic  
buckles to side boards ③ and ④.



Attention:  
Please secure the plastic  
buckles to the top board  
① and the bottom board ②.

I	X10	D	X10
		Black color M3x16mm	

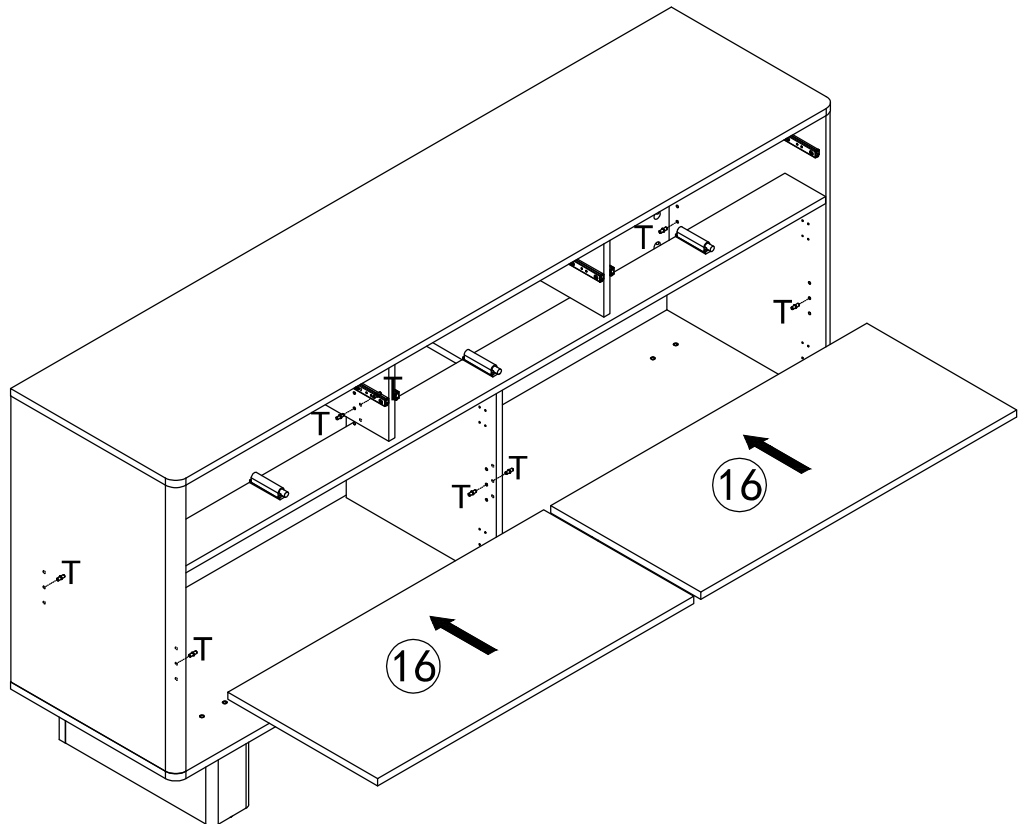
23



X2 J

W	X8	K	X2	J	X2
M4x35mm					

24

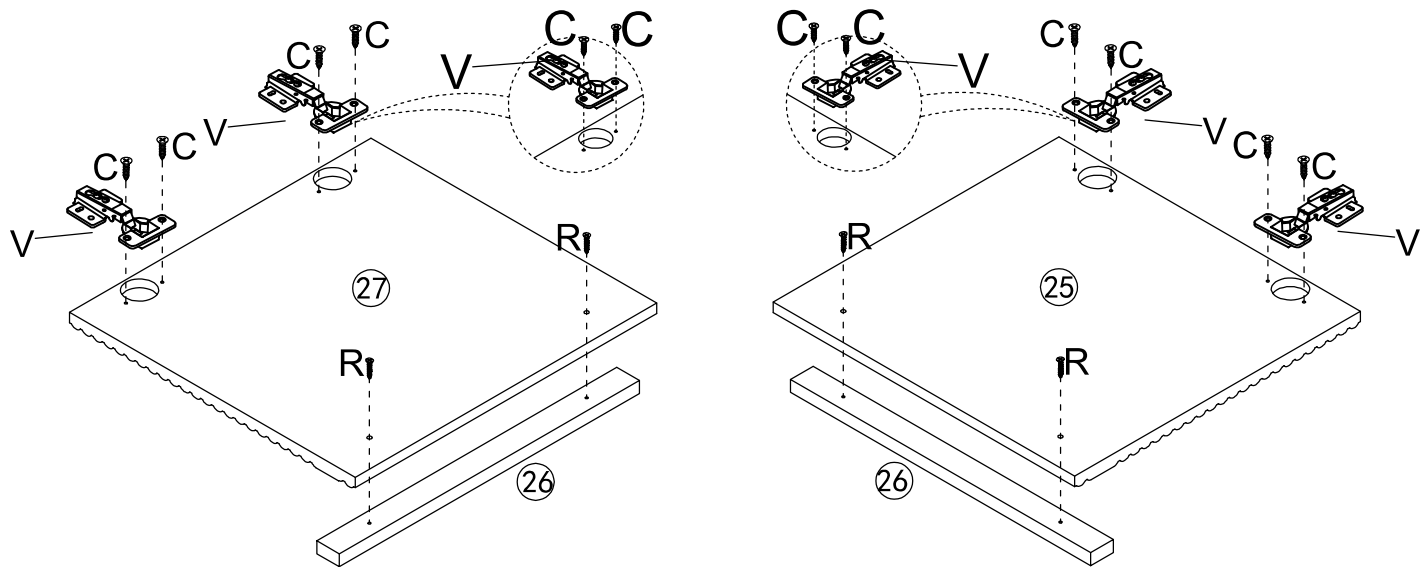





16

16

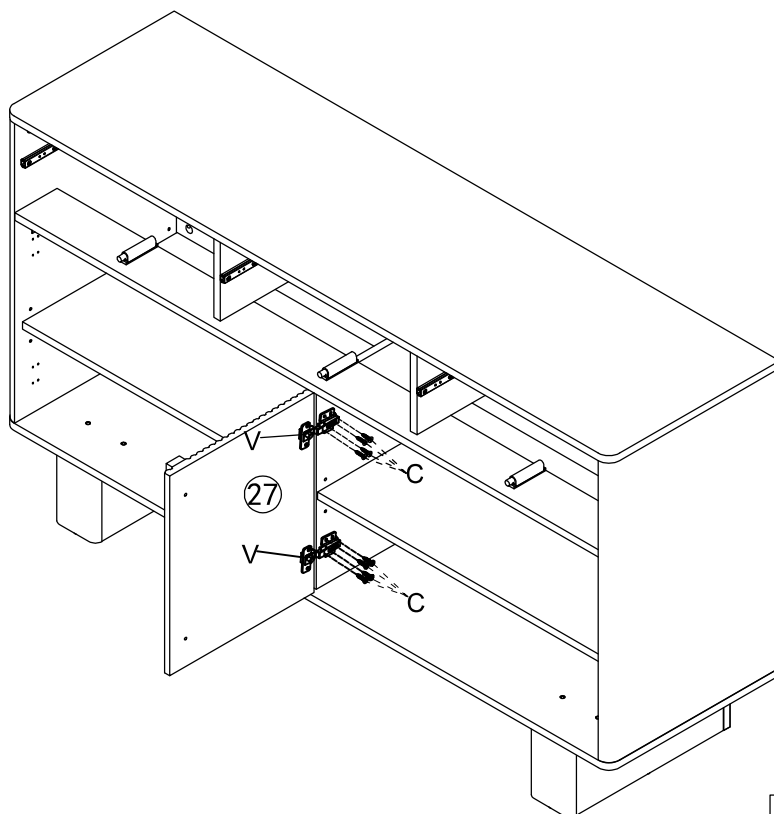
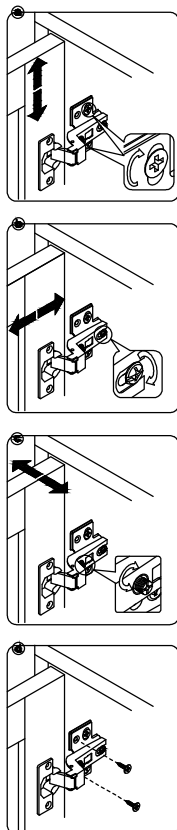
T	X8


25



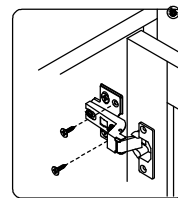
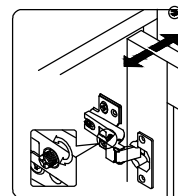
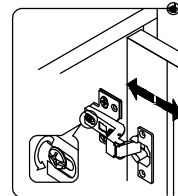
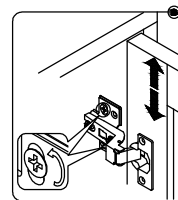
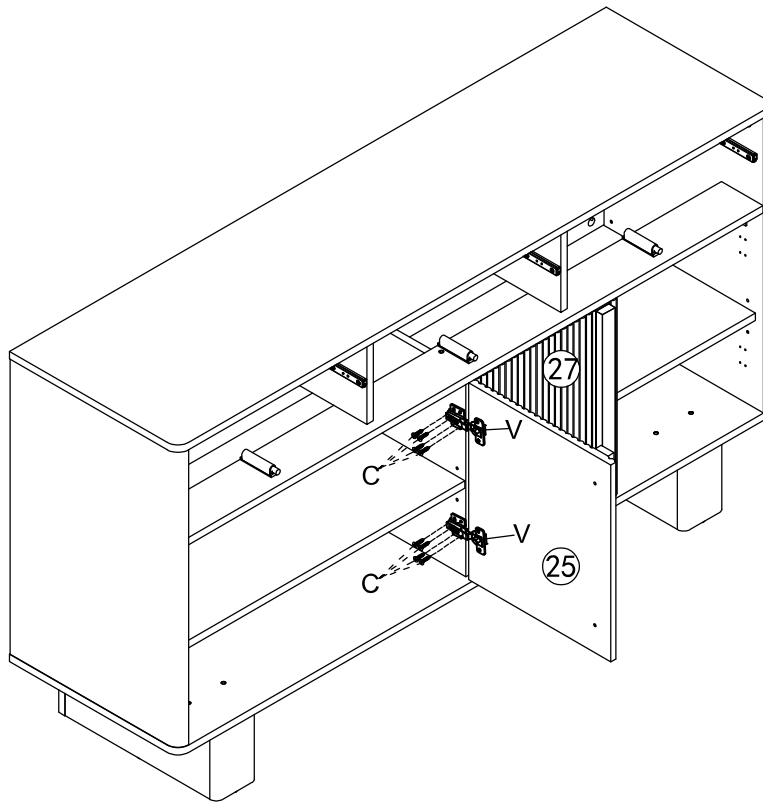
R	x4	V	x4	C	x8
 M4x25mm				 Silver color M3.5x14mm	


26



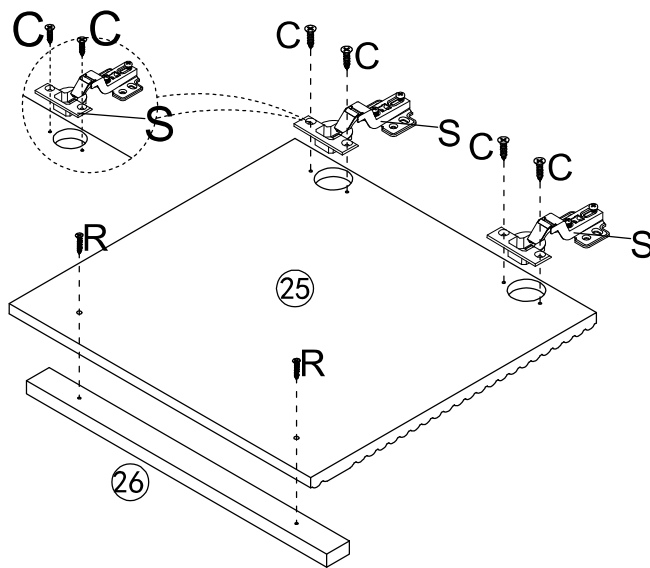
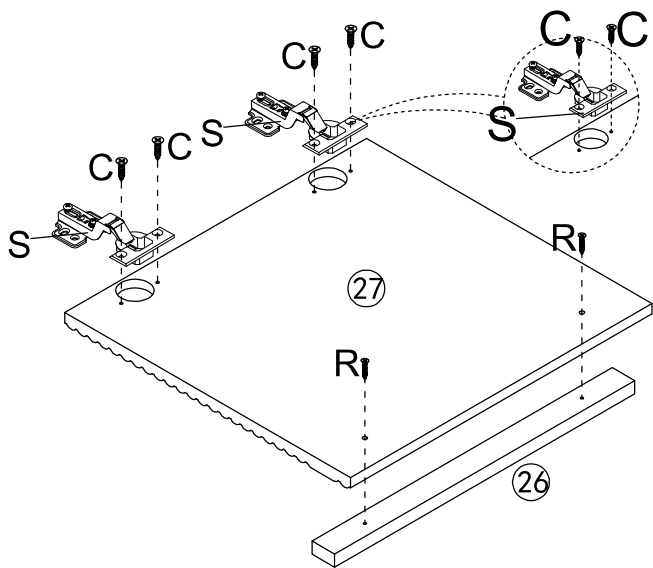
C	x8
 Silver color M3.5x14mm	


27





C	x8
 Silver color M3.5x14mm	

28

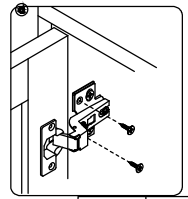
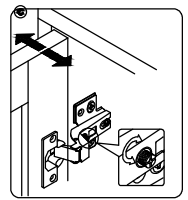
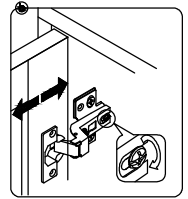
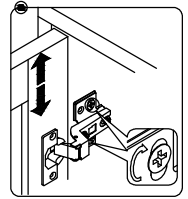
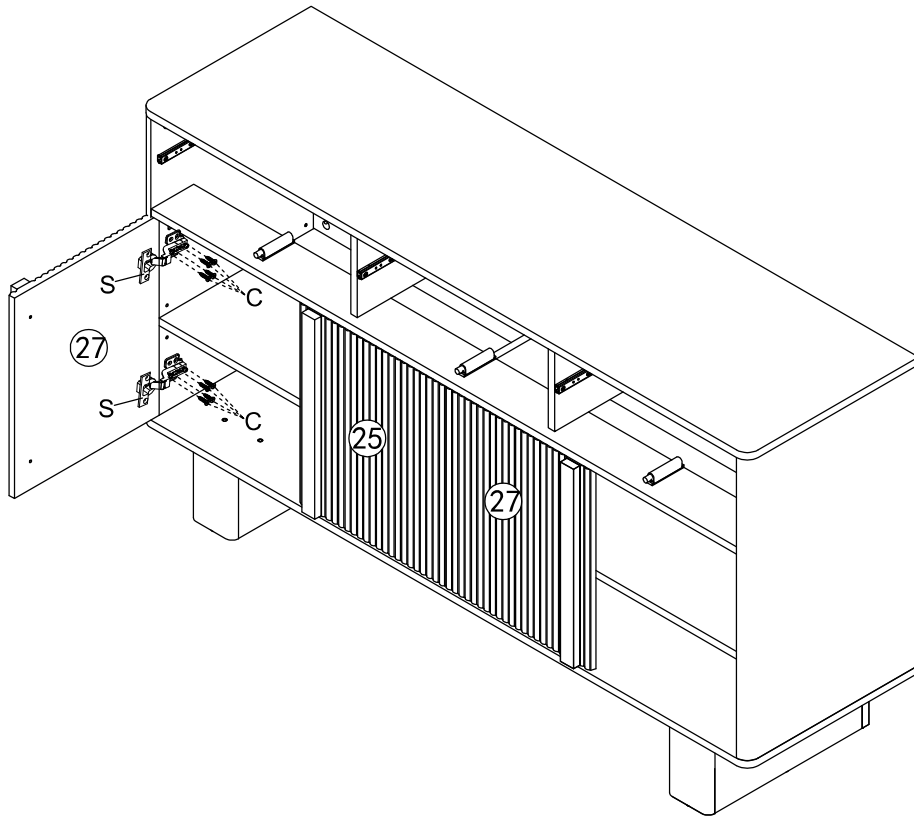



R	x4
 M4x25mm	

S	x4
	

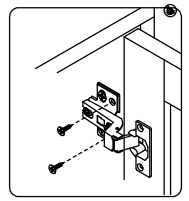
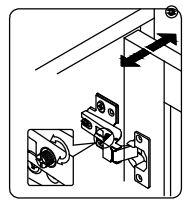
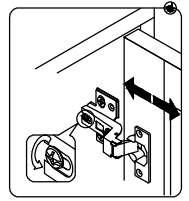
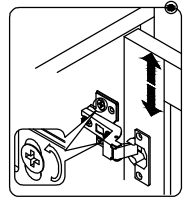
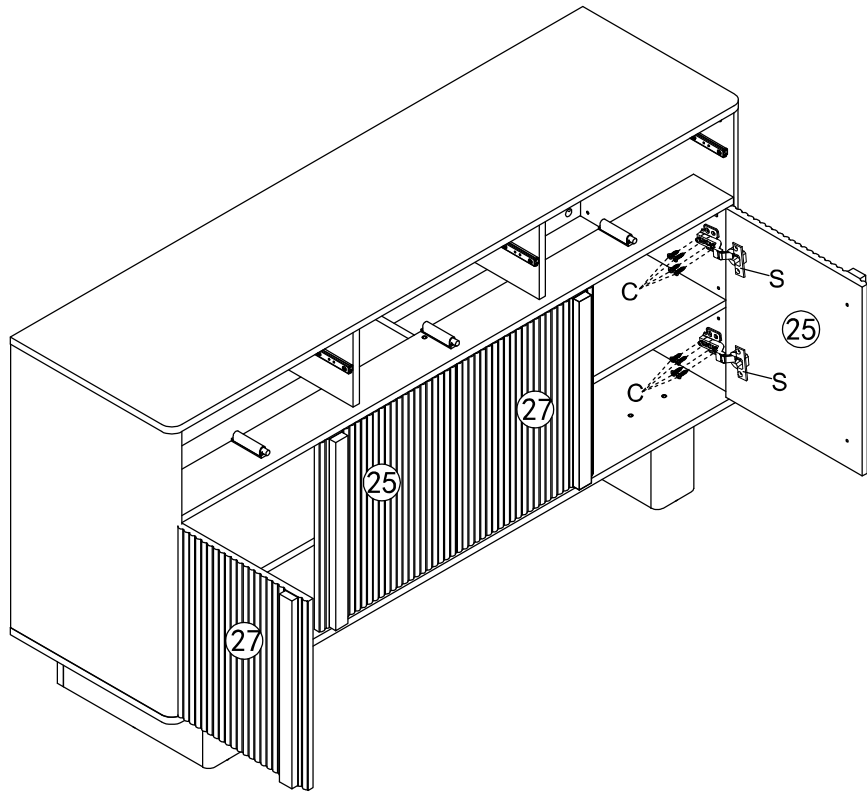
C	x8
 Silver color M3.5x14mm	


29



C	X8
 Silver color M3.5x14mm	

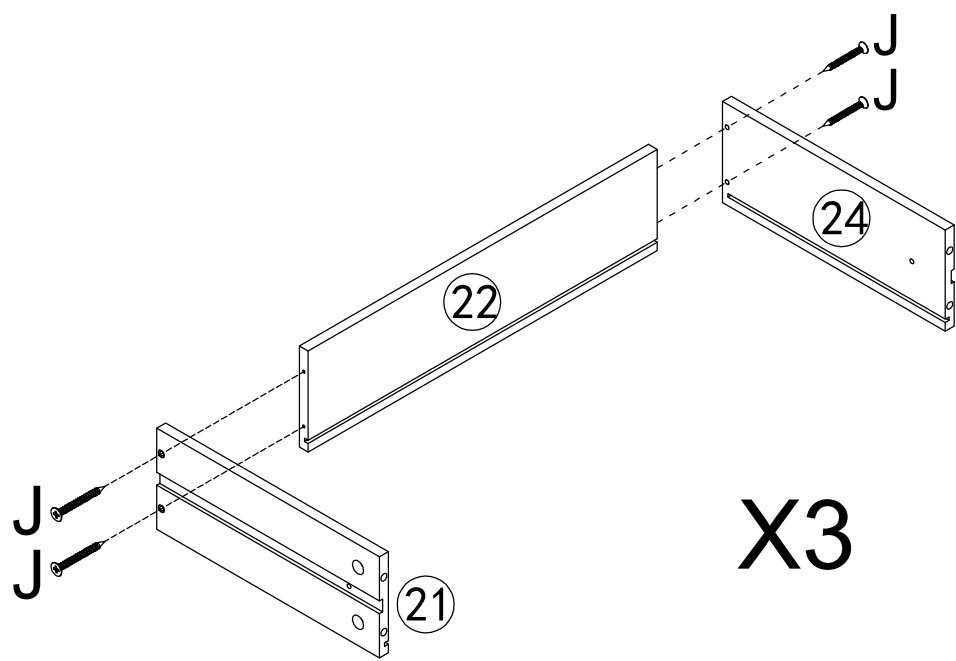
30




C	X8
 Silver color M3.5x14mm	

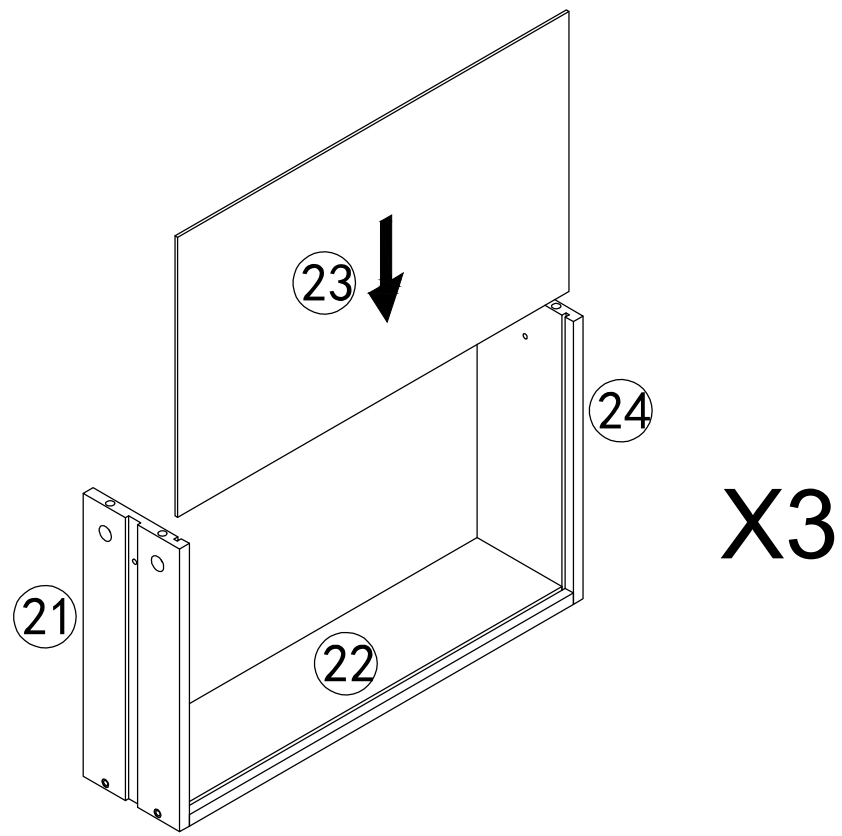
31

Assembly Instruction of (Cabinet Drawer)

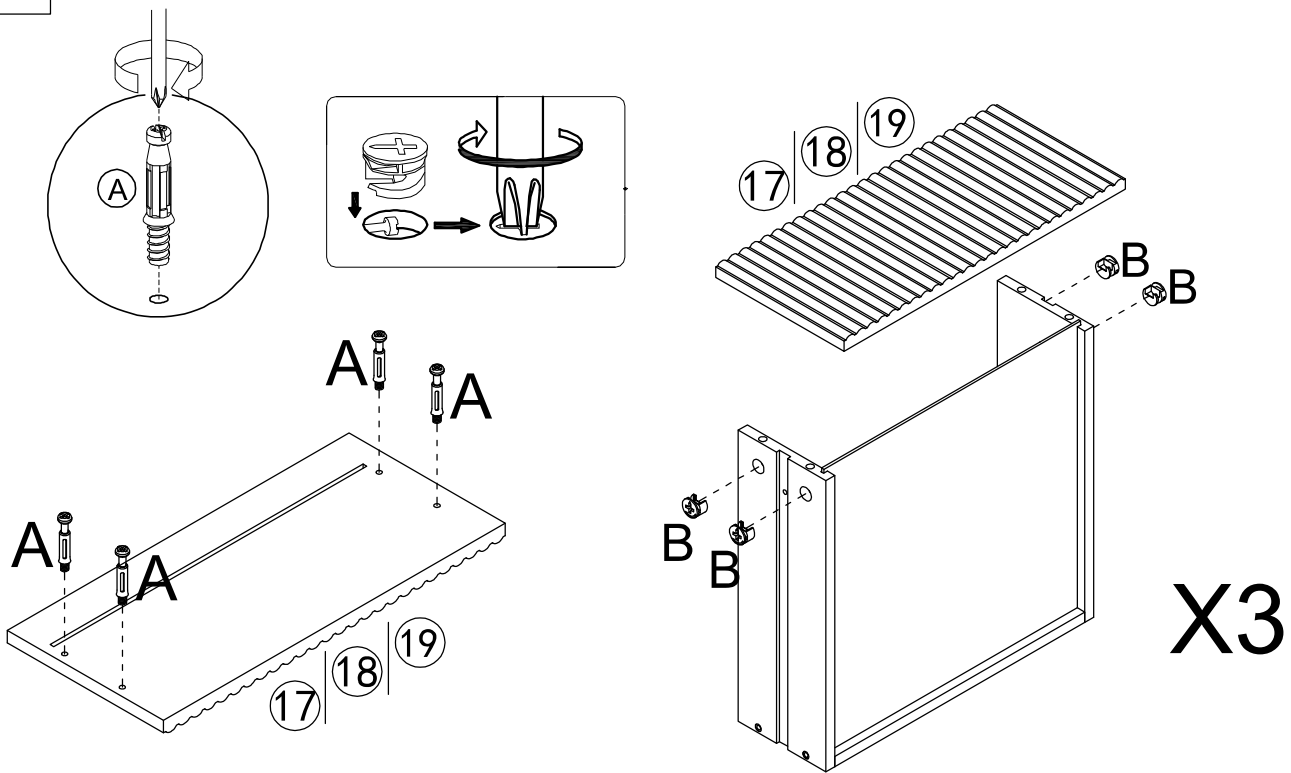




J	X12
	
M4x35mm	

32

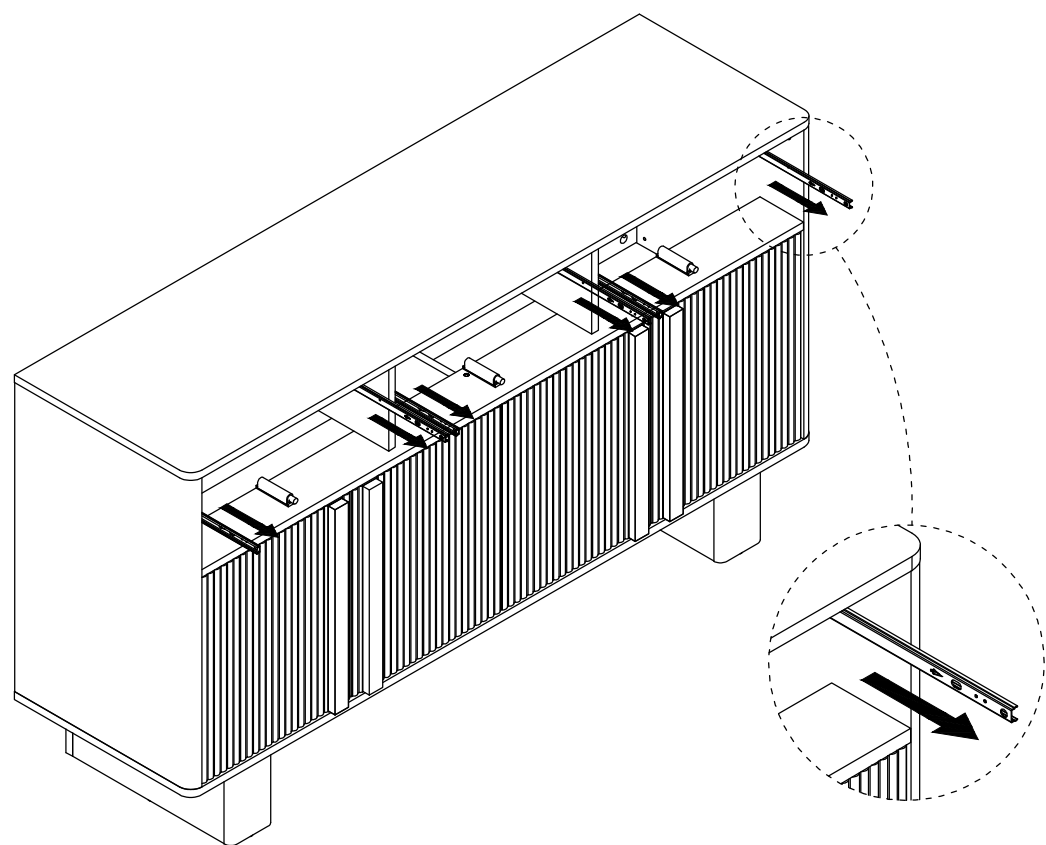


33

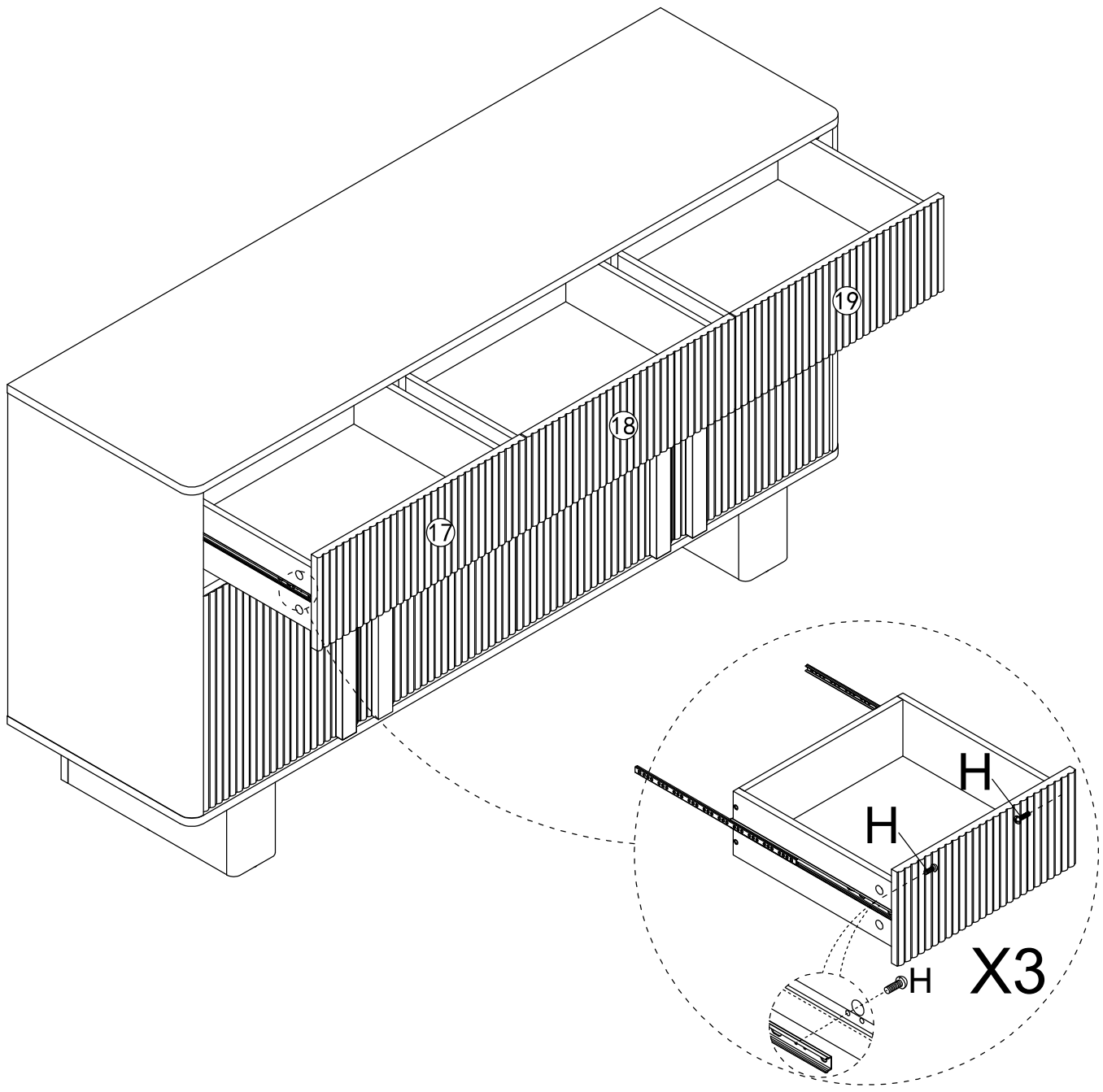



A	X12	B	X12
			
M6x35mm			

34

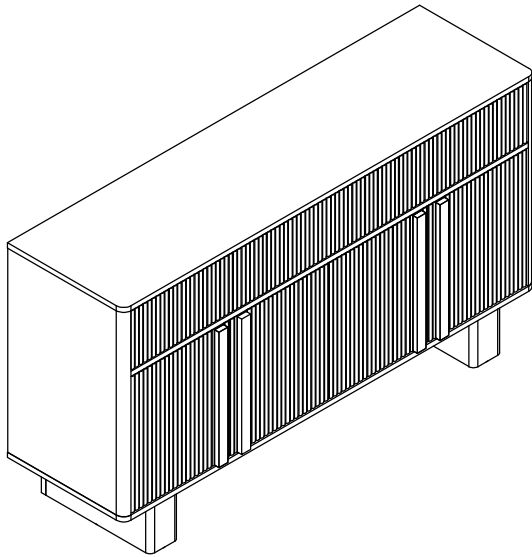


35



H	X6
	
M4x10mm	

# Finished!



Congratulations, you have made it through the assembly process! We're almost there! ☆

Please perform following checks to ensure assembly is properly done.

- If drawer is misaligned, please check and ensure the screw position is correct as per step 3 & 4.

Move your product carefully, with 2 people lifting it to the preferred location. Clean the product with a dry cloth. You are all set!

Enjoy your fresh and updated living space thanks to the addition of your new product!