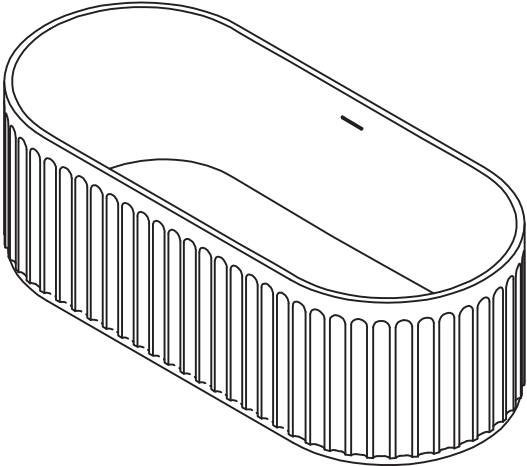
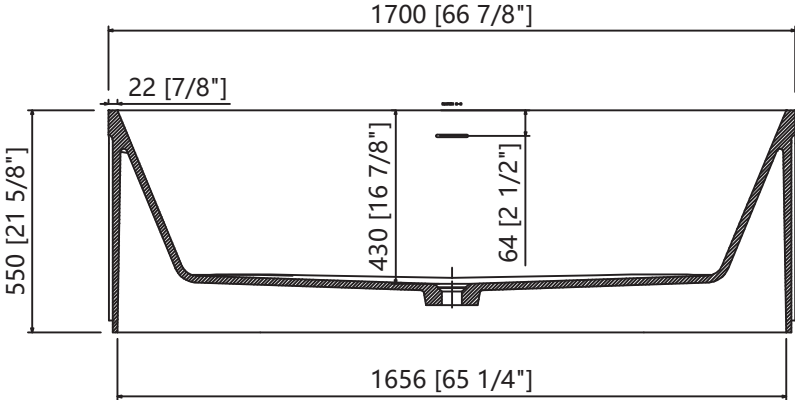
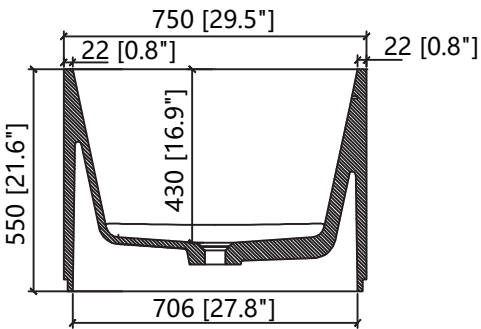
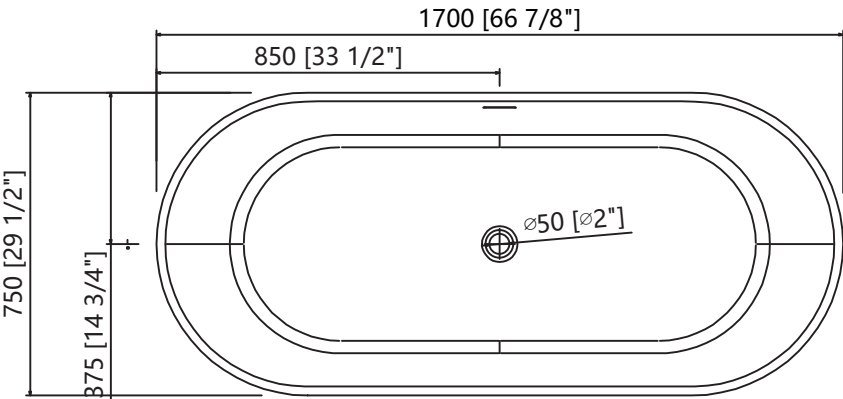


Dimension/Specification



Sku RX-S15-67