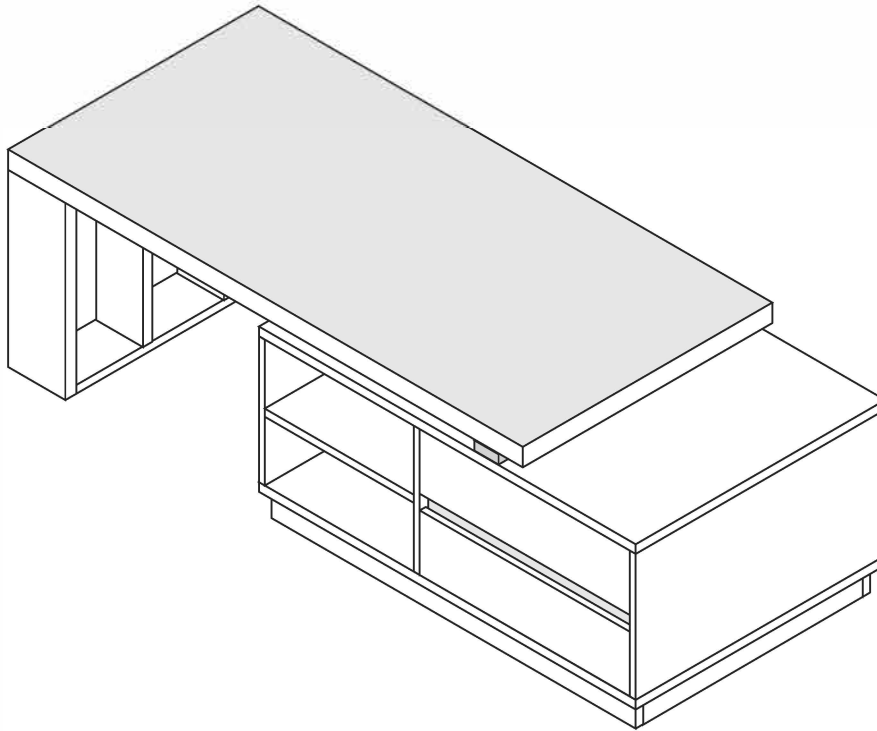
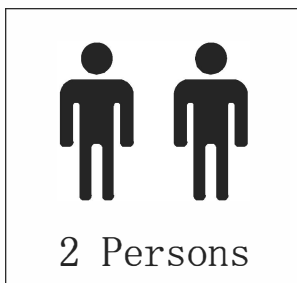


Tea Table



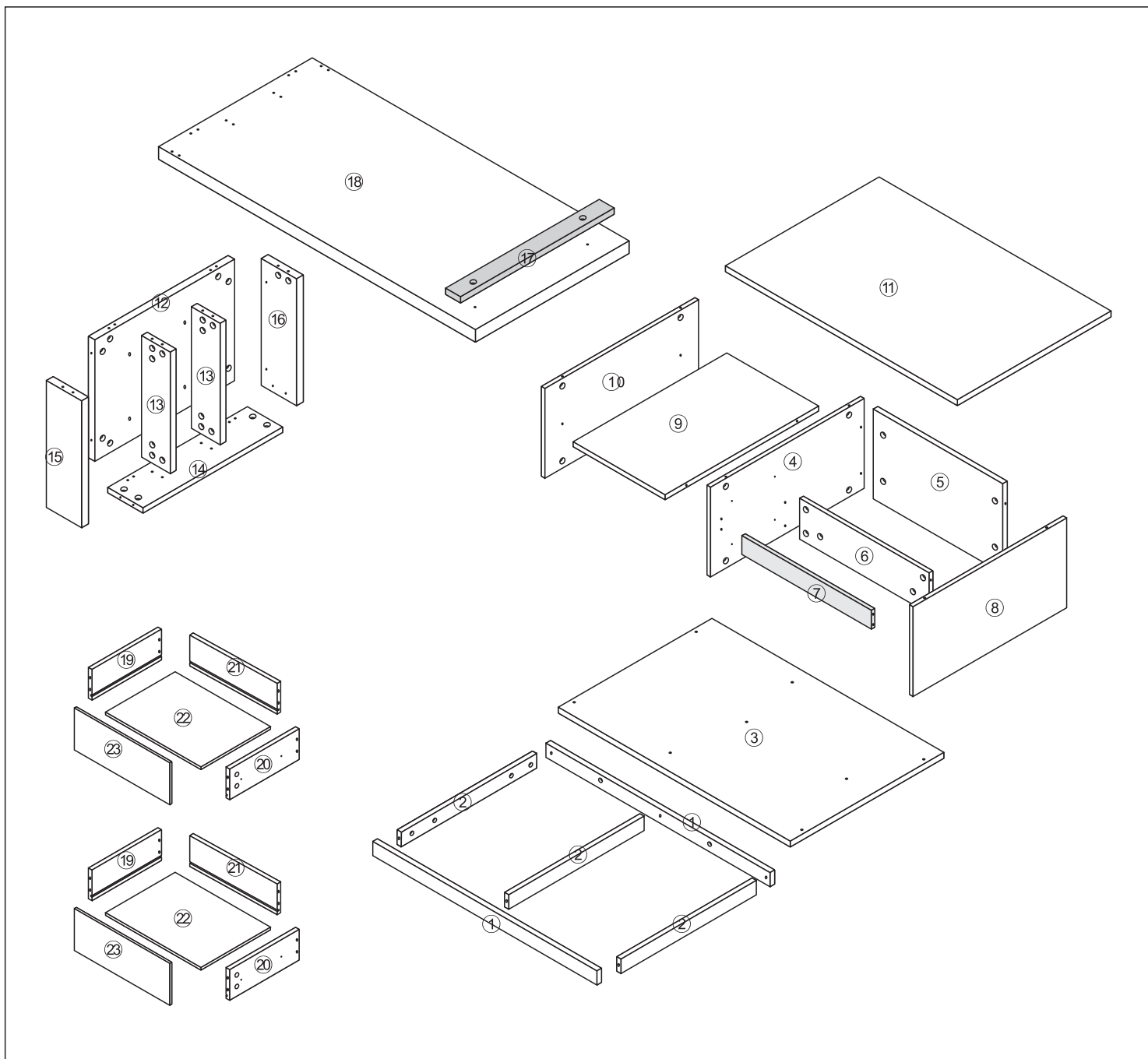
Left and right interchangeability



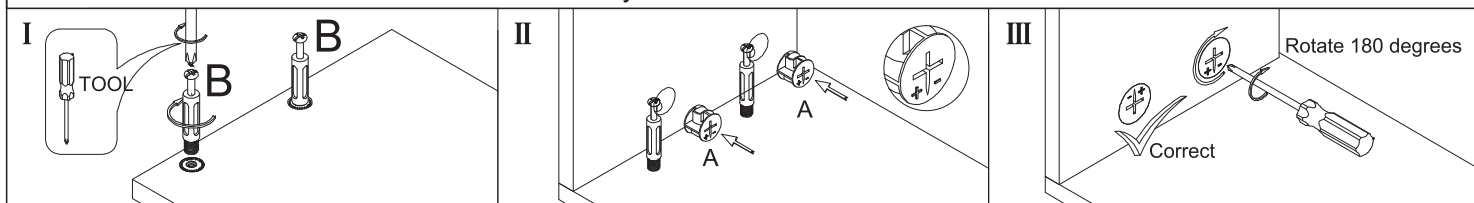
W1100*D700*H420MM

Installation Instructions

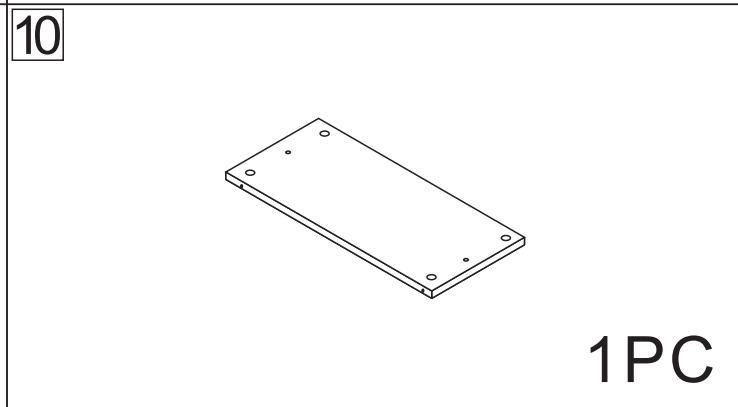
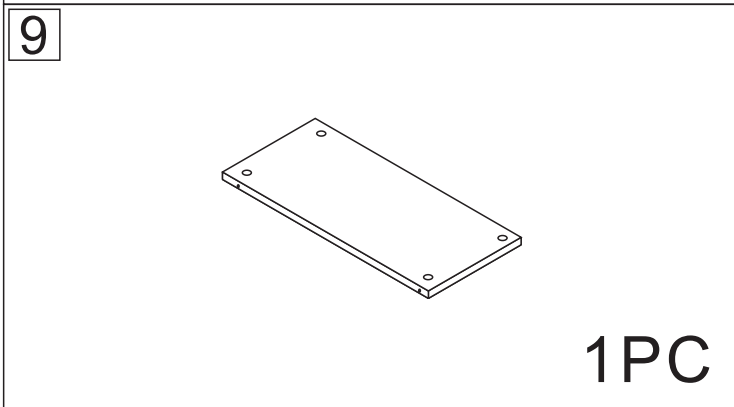
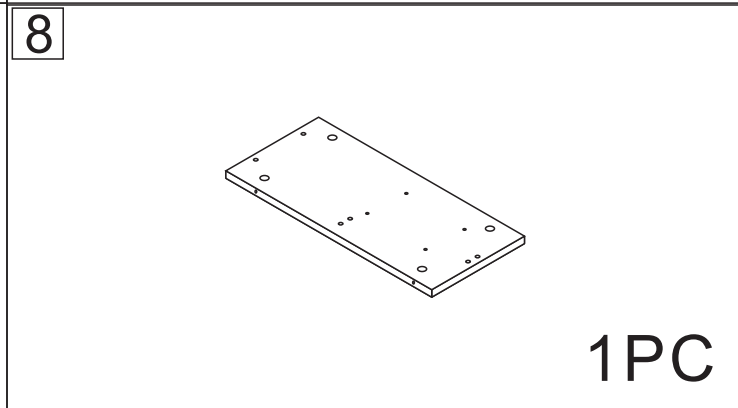
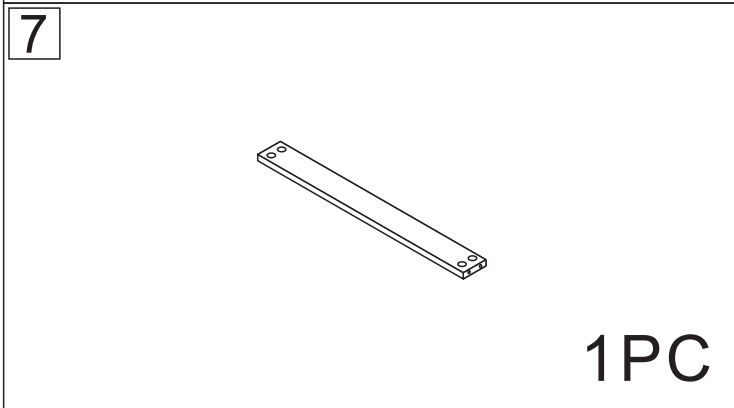
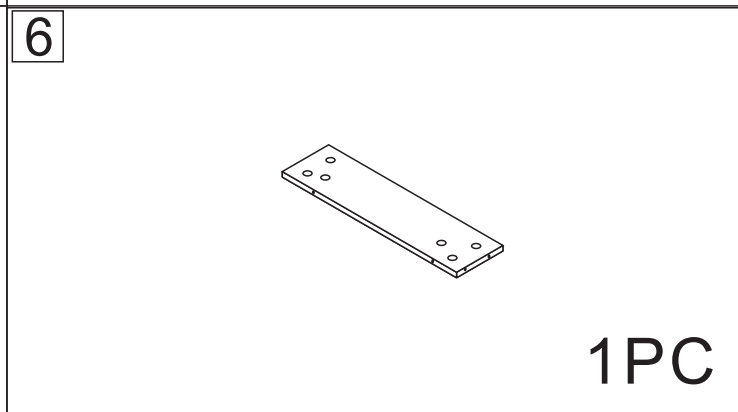
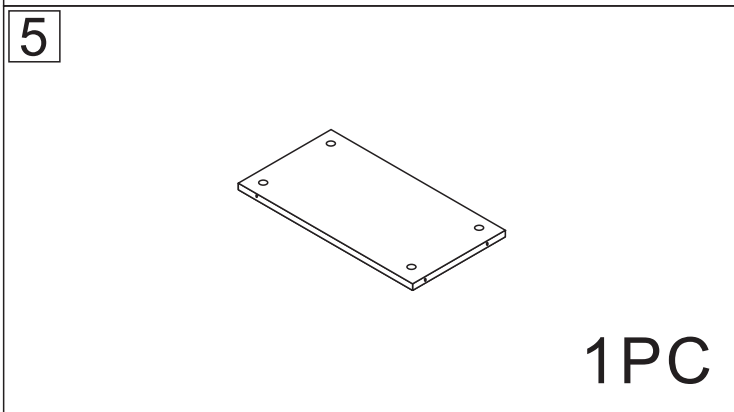
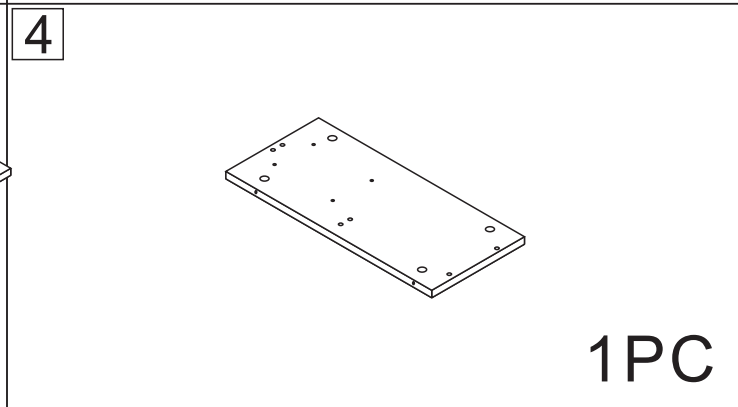
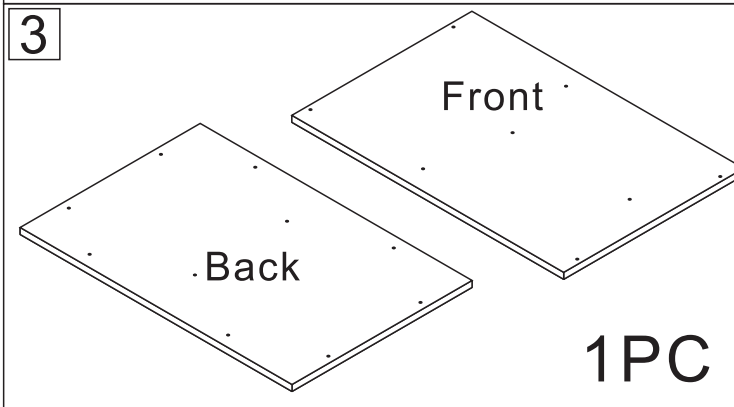
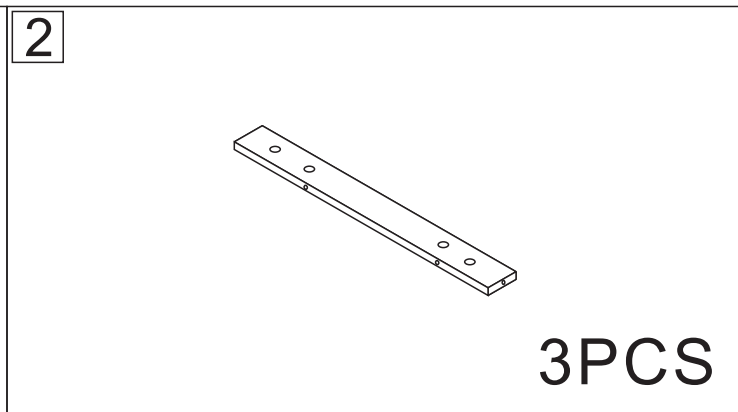
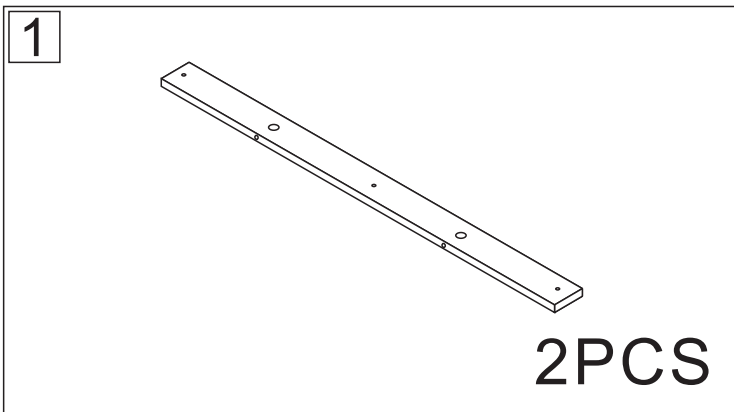
Notes: Don't tighten screws completely at first, just in case parts were assembled wrongly and need disassemble. Tighten screws at last when all parts are put together.



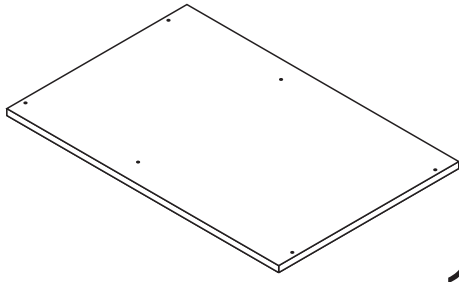
Disassembly and installation of accessories



| | | | | | | | |
|----------------|----------------------|-------------------|--------------------|---------------|---------------|---------------|----------------|
| A 82PCS | B 82PCS | C 24PCS | D 8PCS | E 8PCS | F 2PCS | G 4PCS | H 16PCS |
| | | | | | | | |
| 15*10mm | 6*28mm | 3.5*14mm | Three-section Rail | 3.5*40mm | M6*30mm | 8*30mm | φ 15mm |
| J 3PCS | K 28PCS | | | | | | |
| | | | | | | | |
| Foam pad | Three in one sticker | Tools Recommended | | | | | |

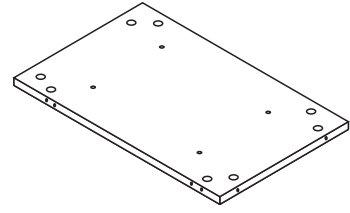


11



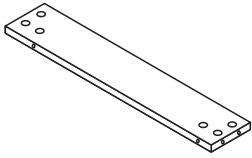
1PC

12



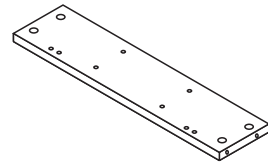
1PC

13



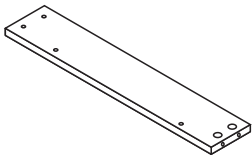
2PCS

14



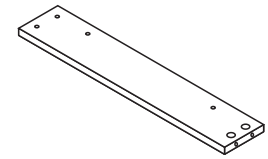
1PC

15



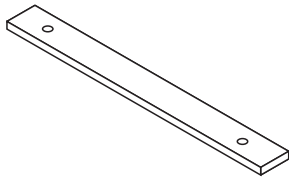
1PC

16



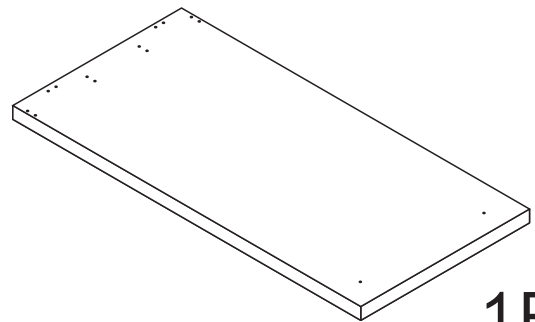
1PC

17



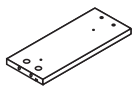
1PC

18



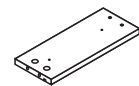
1PC

19



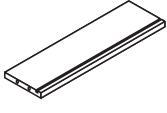
2PCS

20



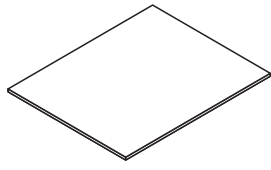
2PCS

21



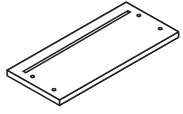
2PCS

22



2PCS

23



2PCS

24

25

26

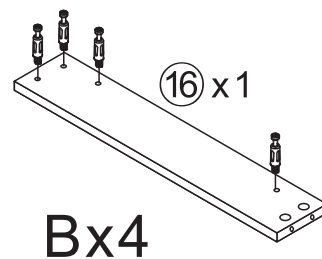
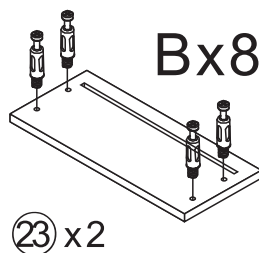
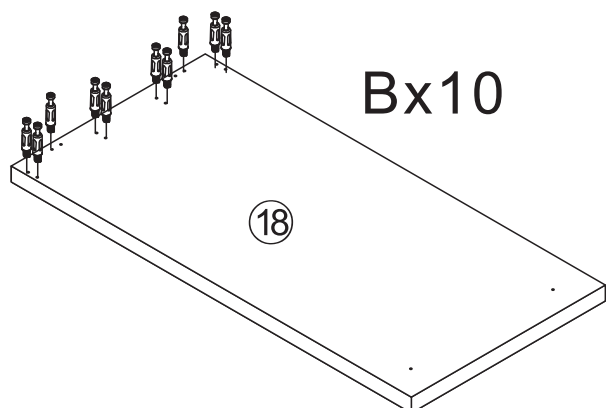
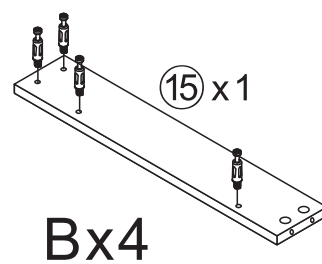
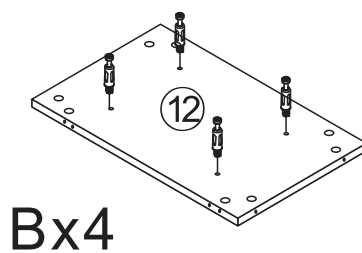
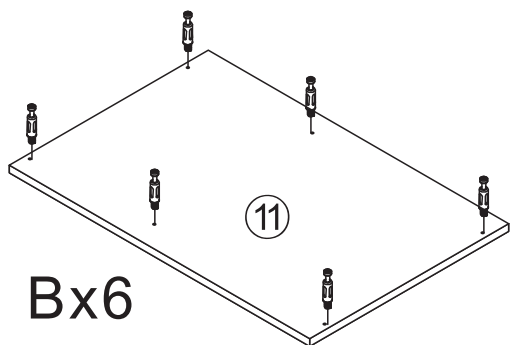
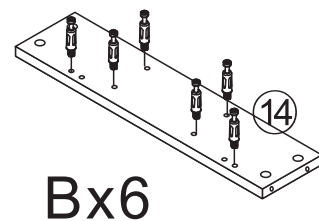
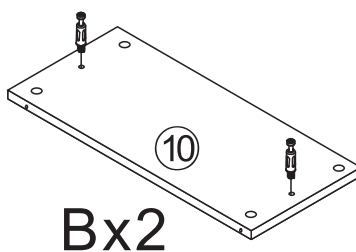
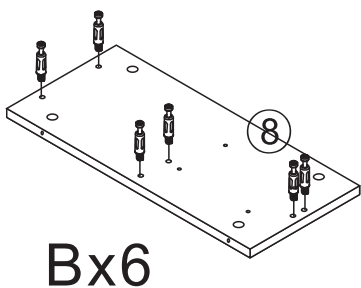
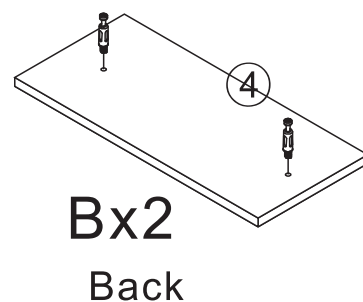
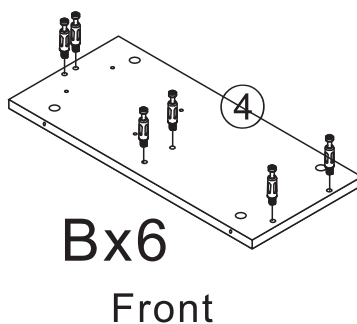
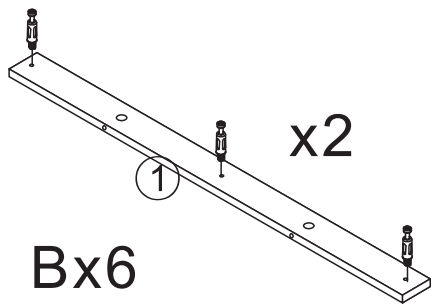
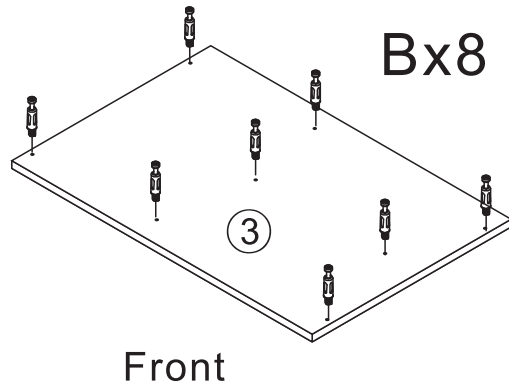
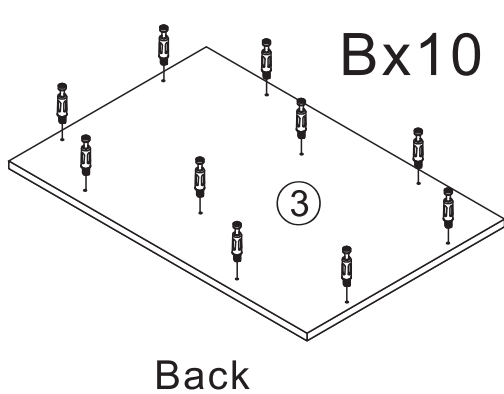
27


28

29

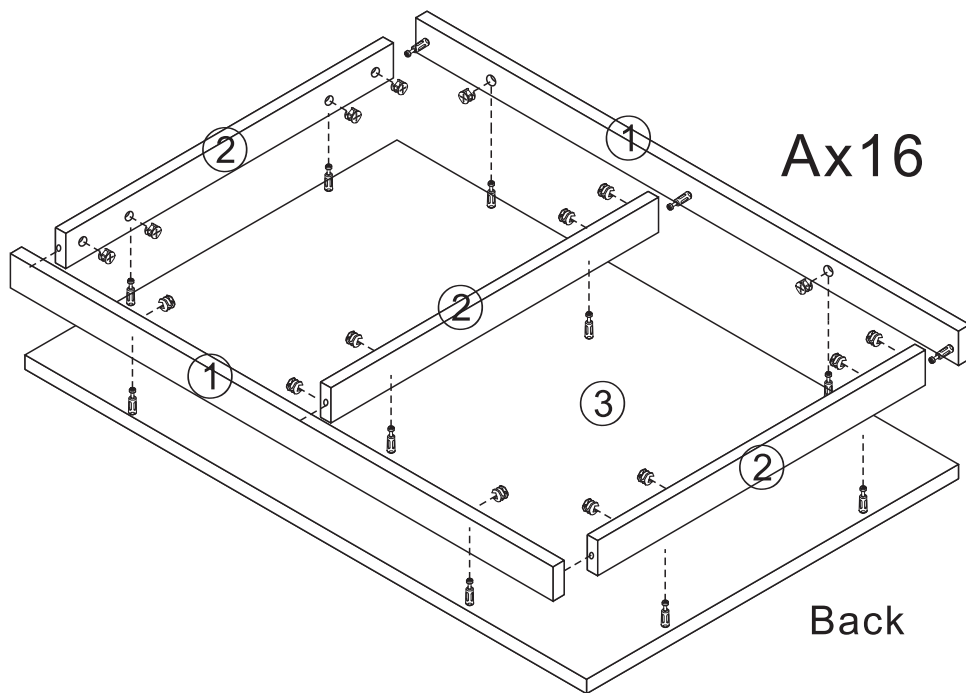
30


1



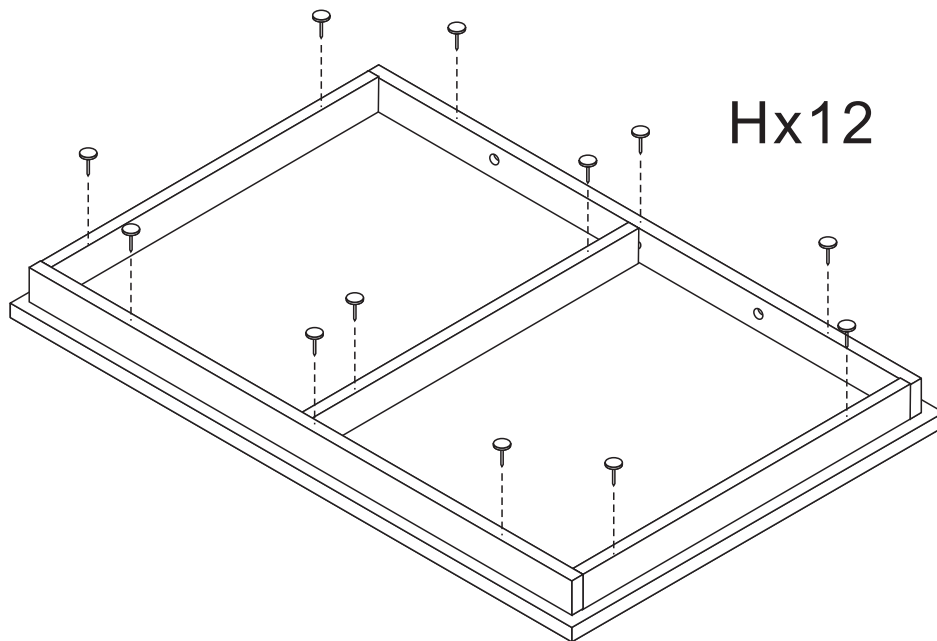
| | |
|---|-------|
| B | 82PCS |
|  | |
| 6*28mm | |


2



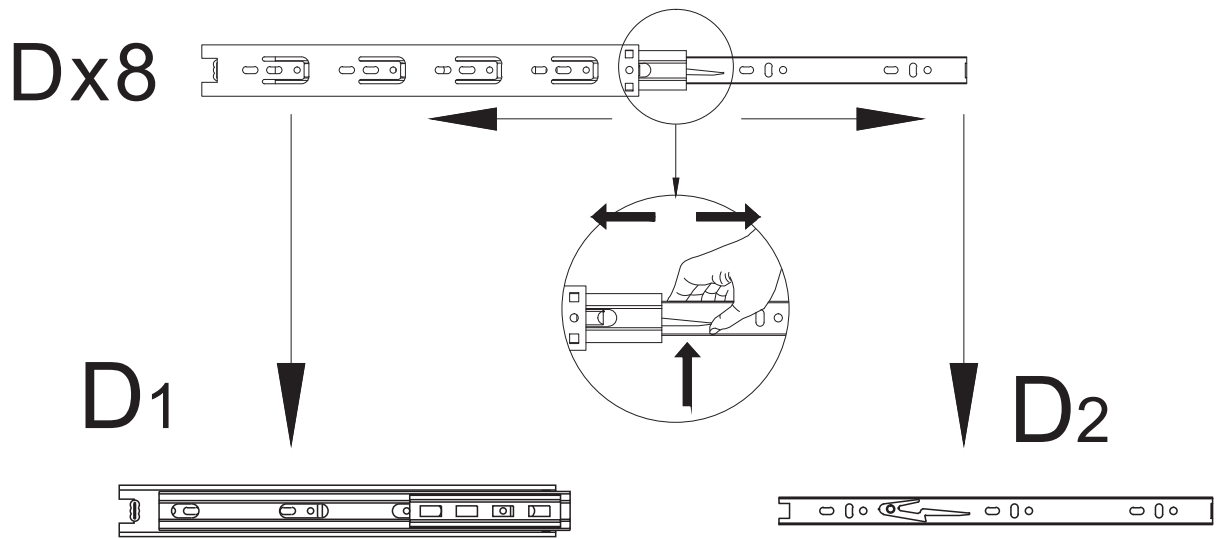
| | |
|--|-------|
| A | 16PCS |
|  | |
| 15*10mm | |

3



| | |
|---|-------|
| H | 12PCS |
|  | |
| φ 15mm | |

4

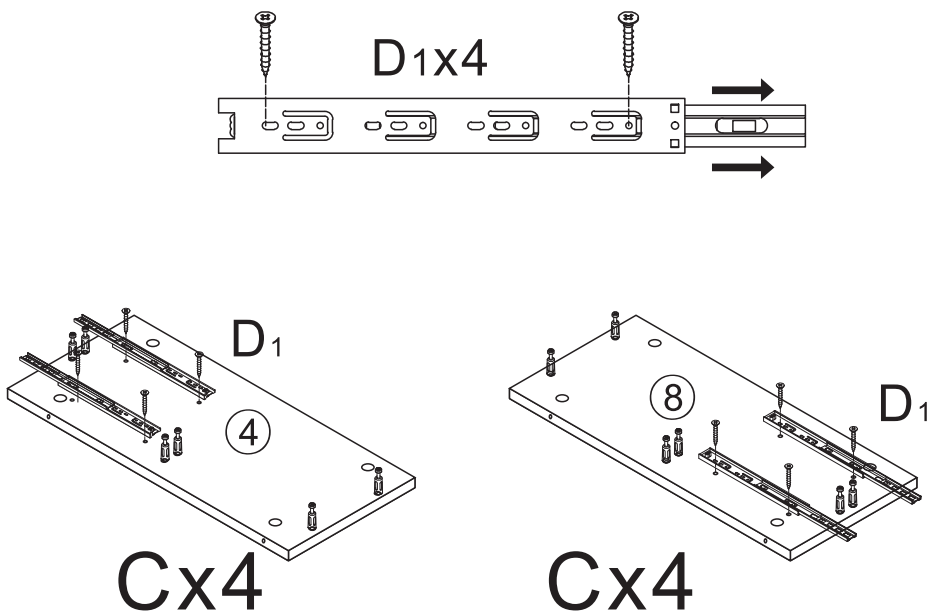


D₁ 4PCS



Three-section Rail

5



C 8PCS



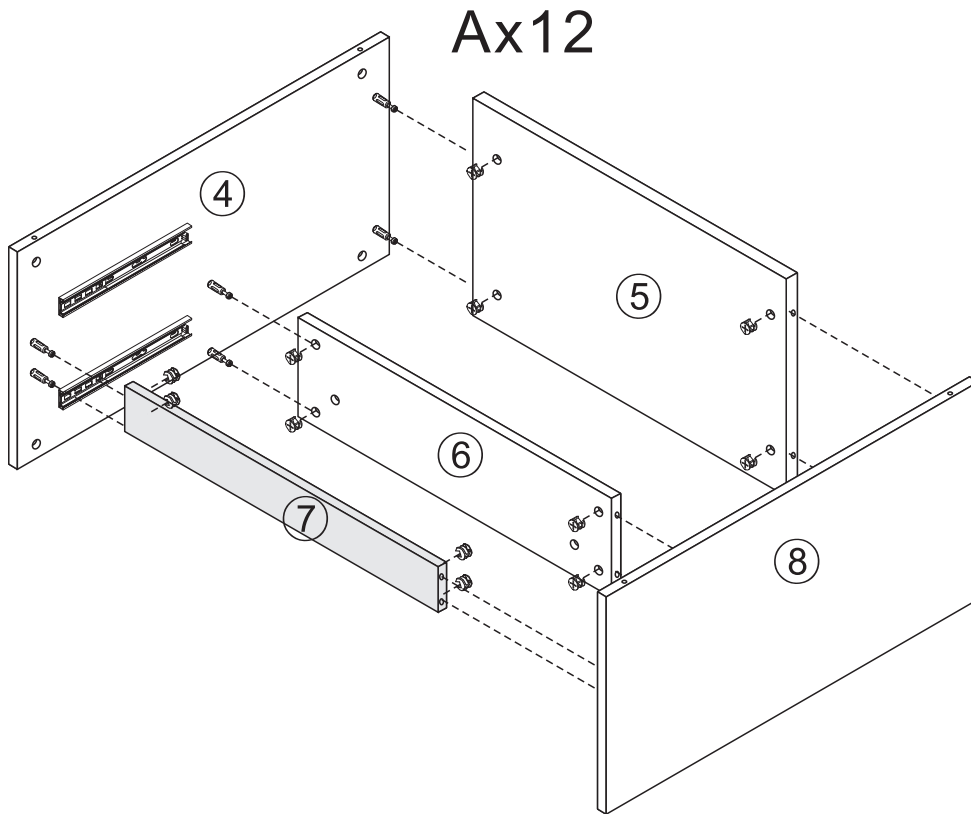
3.5*14mm

D₁ 4PCS



Three-section Rail

6

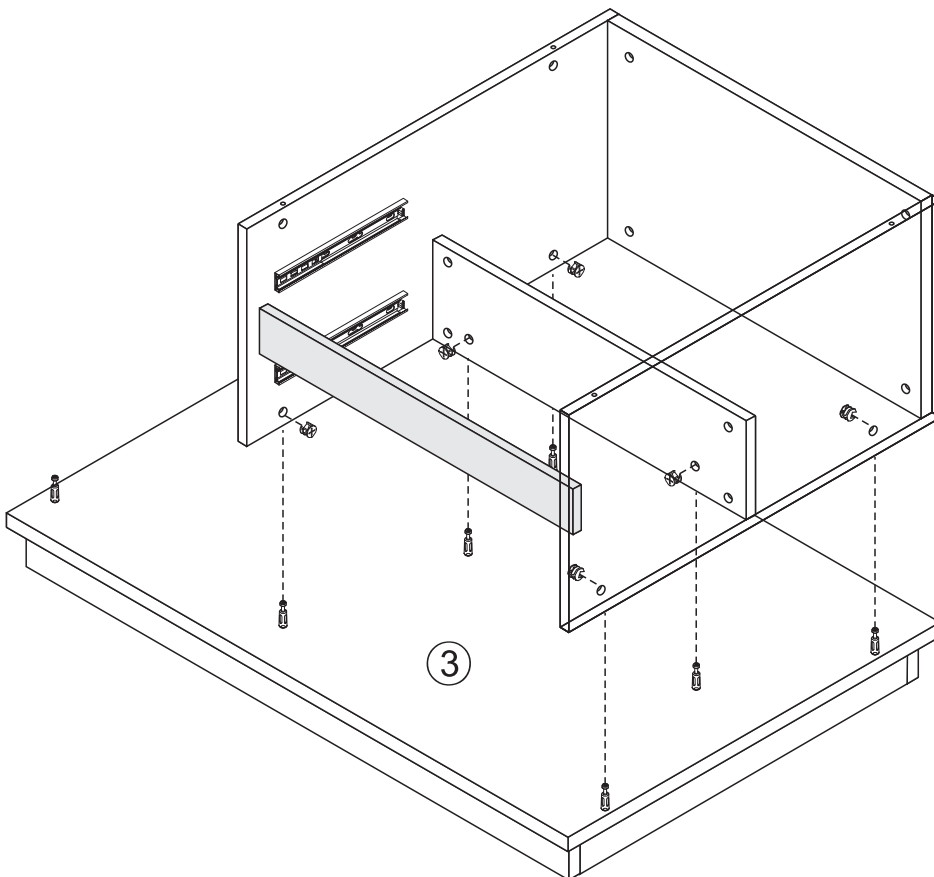


A 12PCS



15*10mm

7



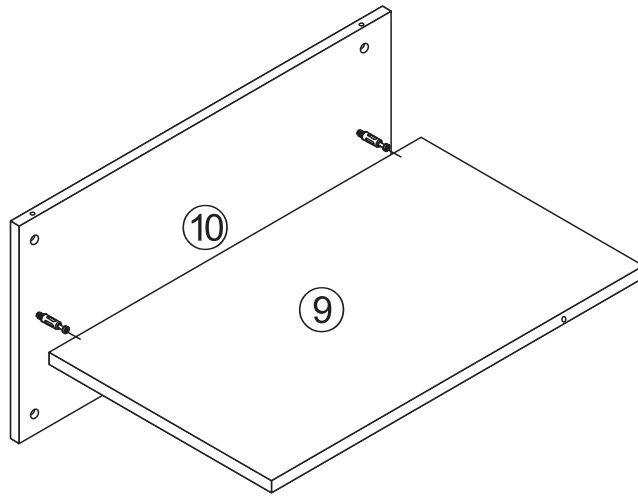
Ax6

A 6PCS



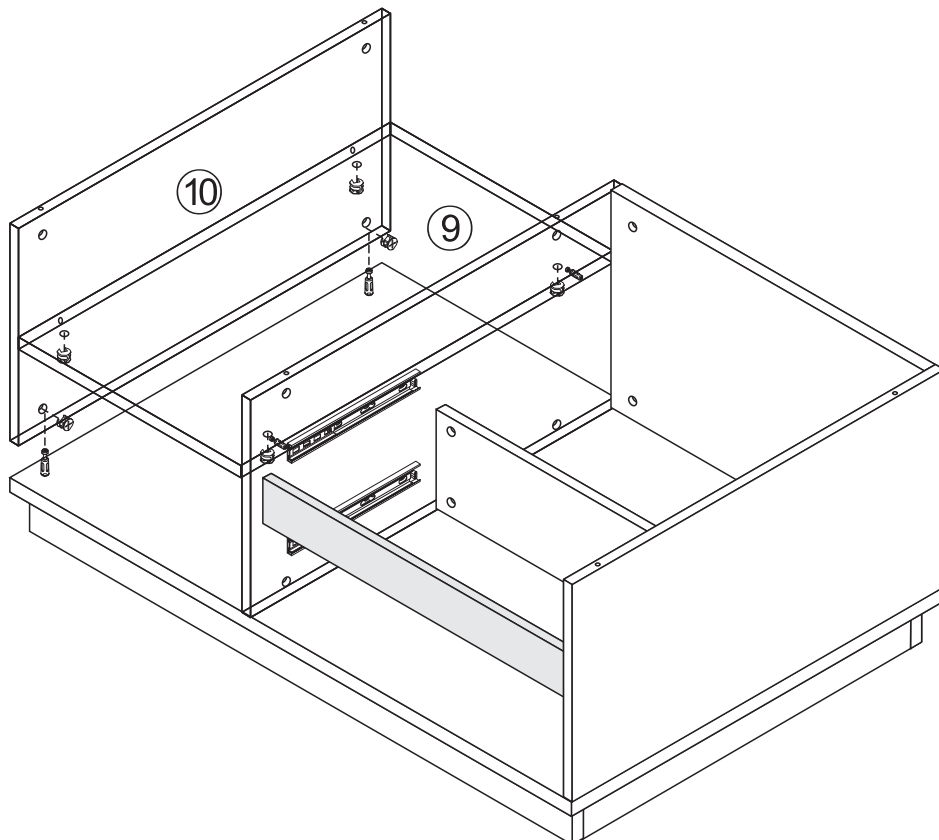
15*10mm


8



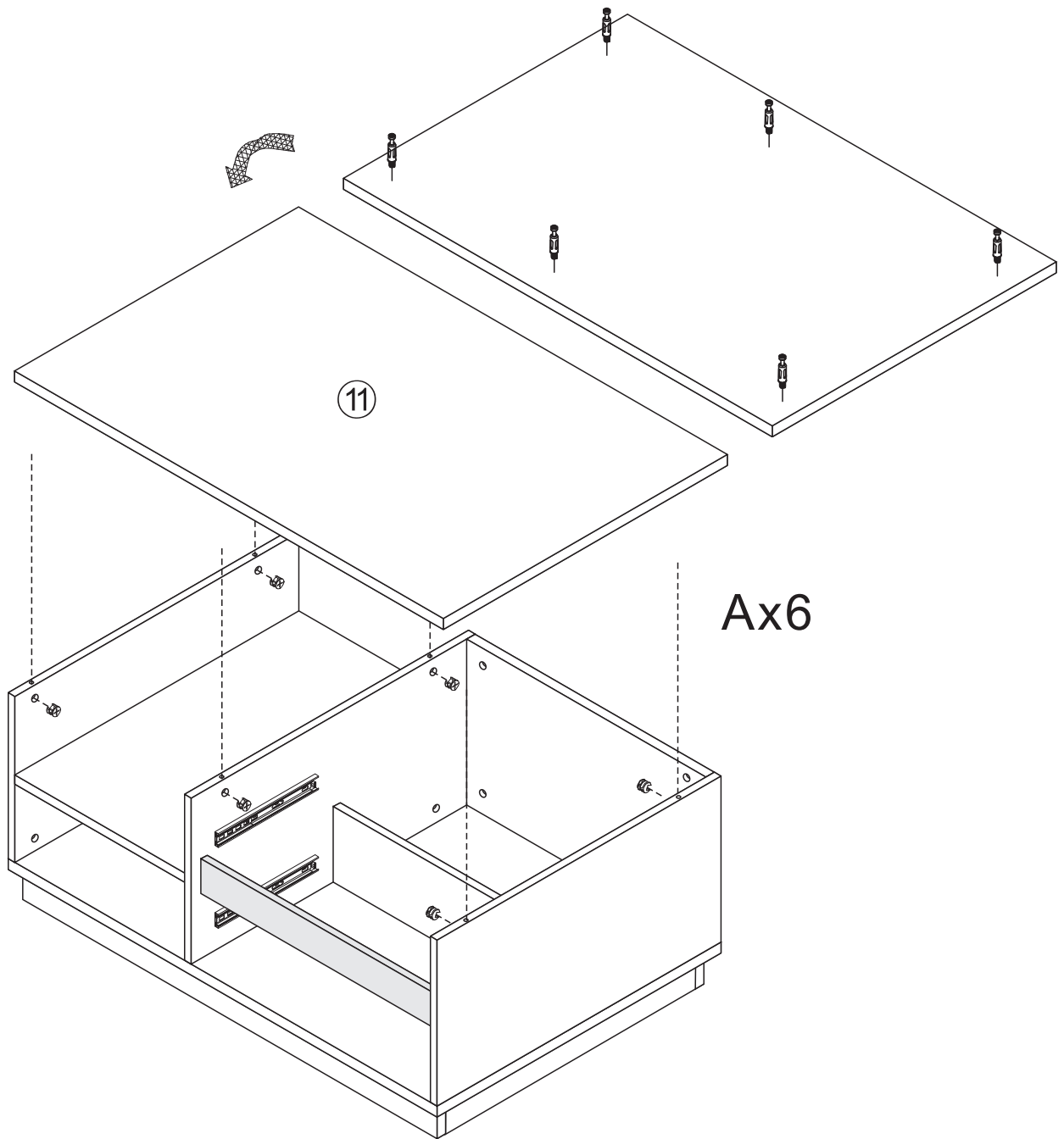
9


Ax6



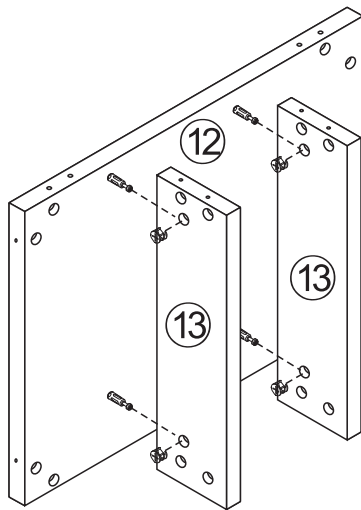
| | |
|---|------|
| A | 6PCS |
|  | |
| 15*10mm | |

10




| | |
|---|------|
| A | 6PCS |
|  | |
| 15*10mm | |

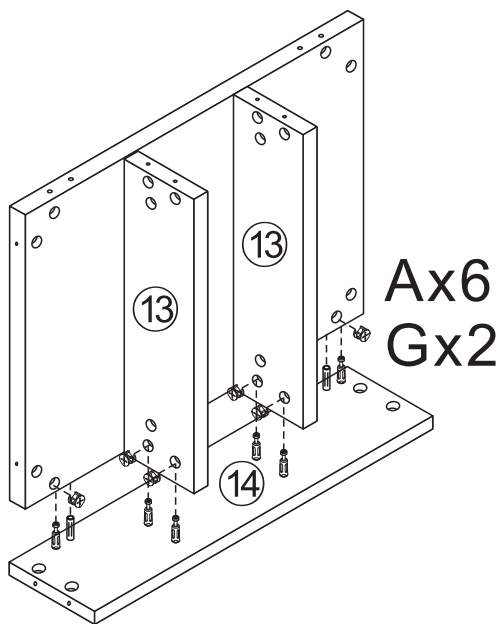
11




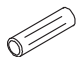
Ax4

| | |
|--|------|
| A | 4PCS |
|  | |
| 15*10mm | |

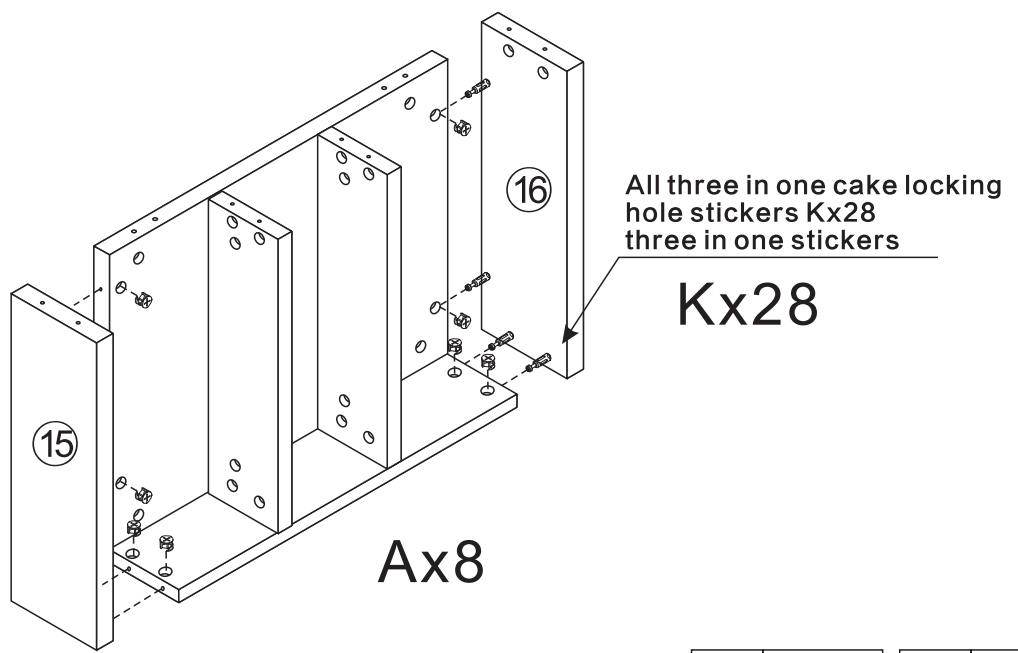
12





Ax6
Gx2

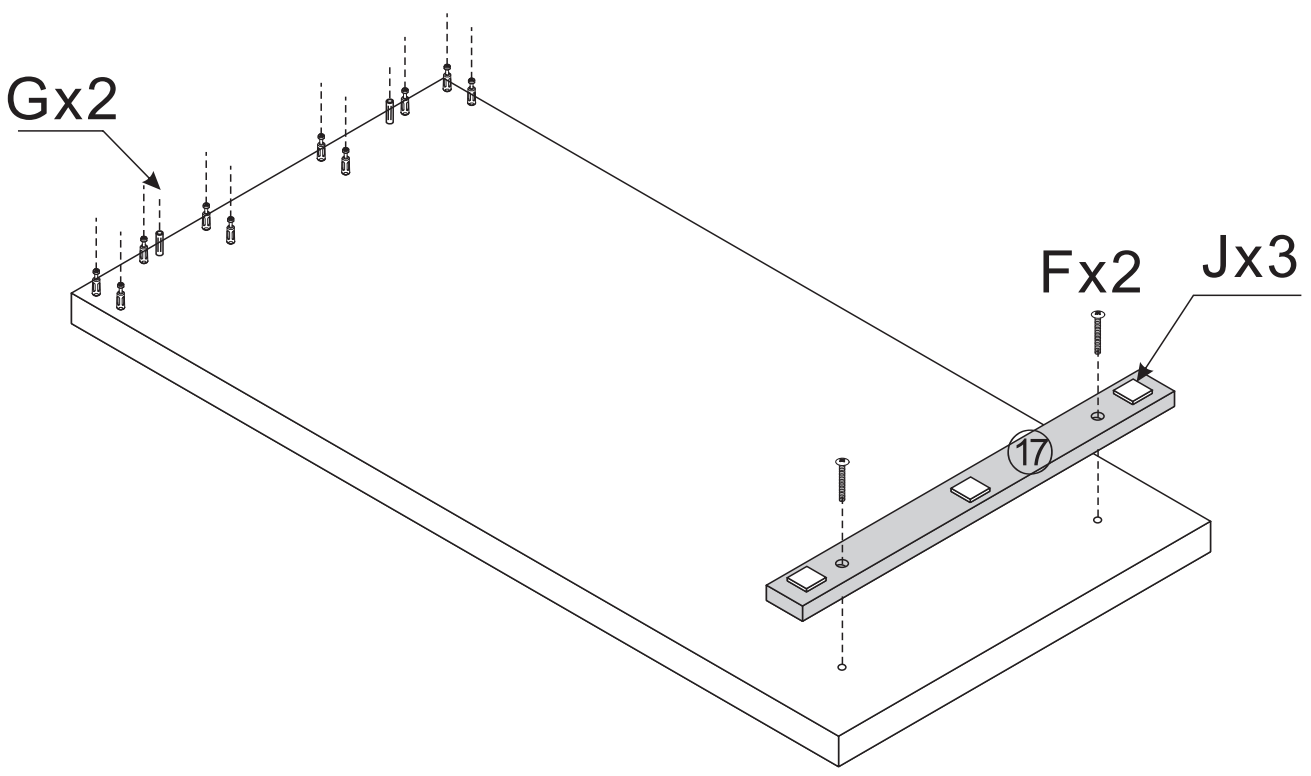
| | | | |
|---|------|---|------|
| A | 6PCS | G | 2PCS |
|  | |  | |
| 15*10mm | | 8*30mm | |


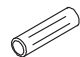

13



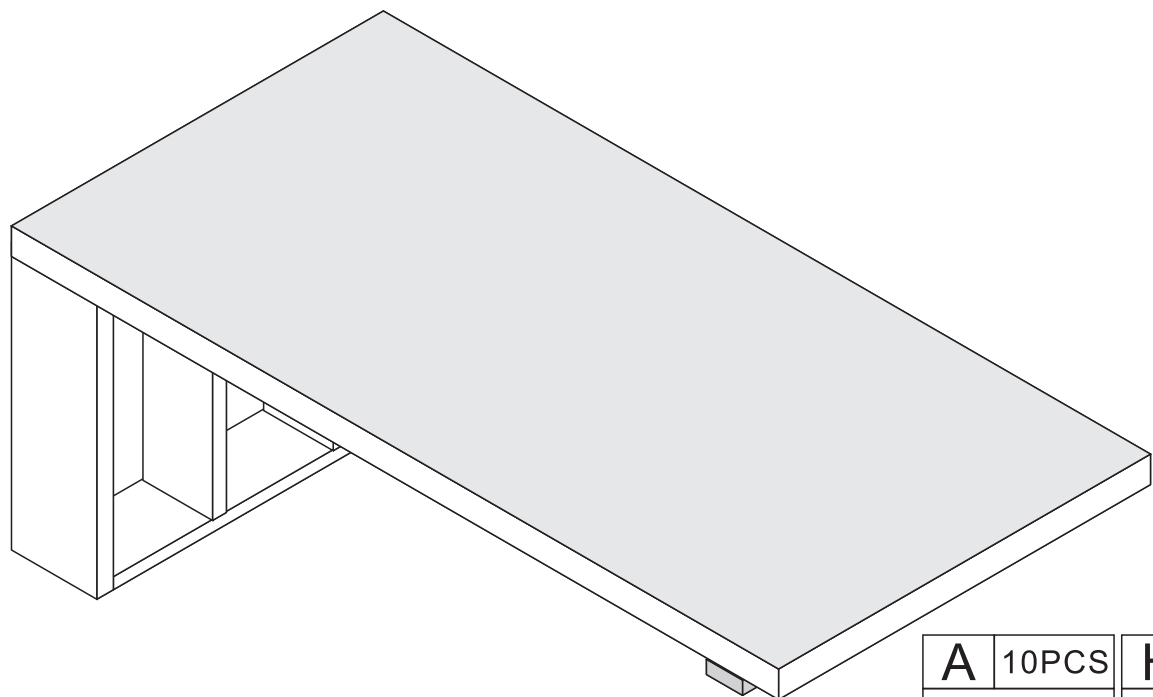
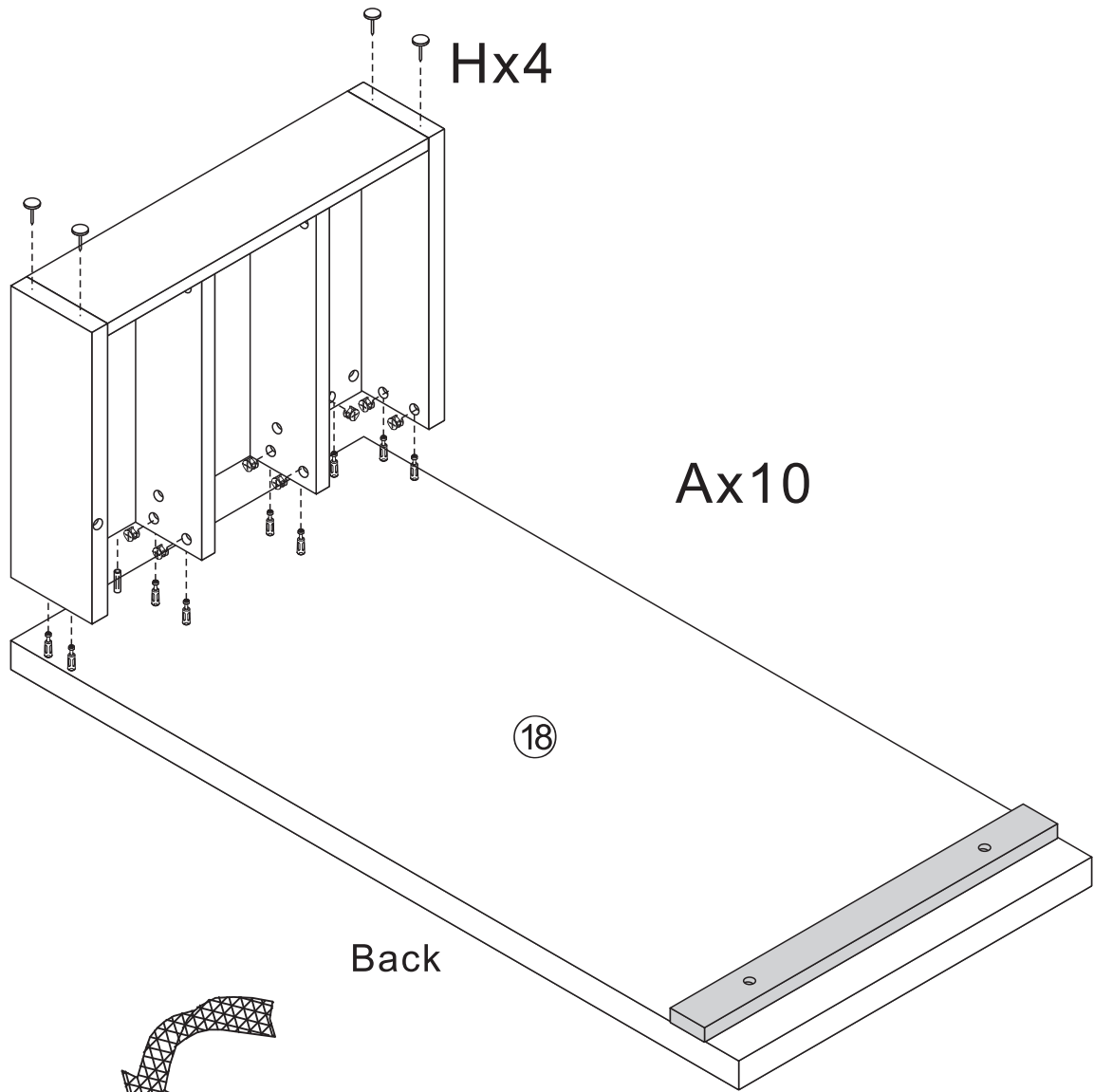
| | | | |
|--|------|--|-------|
| A | 8PCS | K | 28PCS |
|  | |  | |
| 15*10mm | | Three in one sticker | |



14



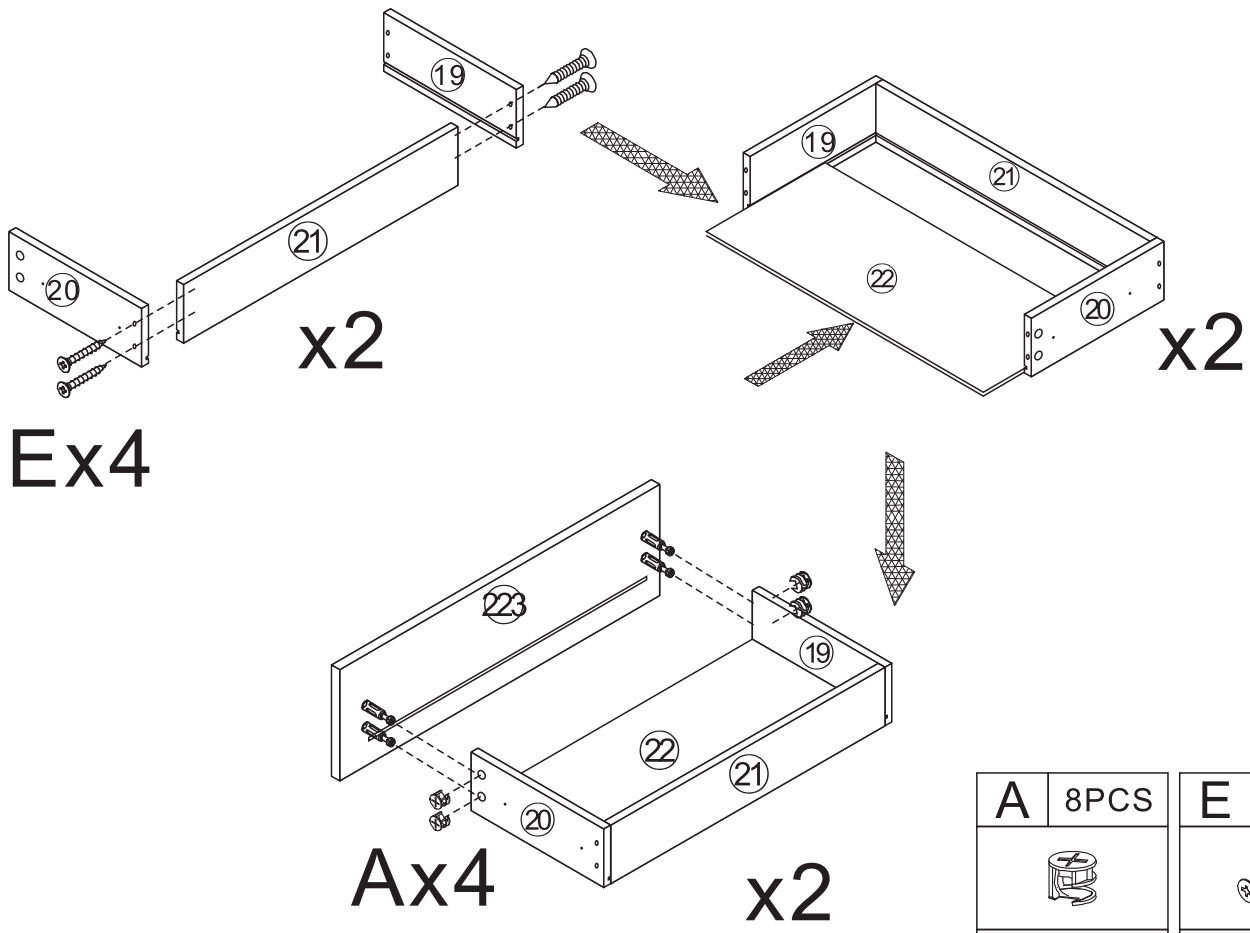
| | | | | | |
|--|------|---|------|---|------|
| F | 2PCS | G | 2PCS | J | 3PCS |
|  | |  | |  | |
| M6*60mm | | 8*30mm | | Foam pad | |

15



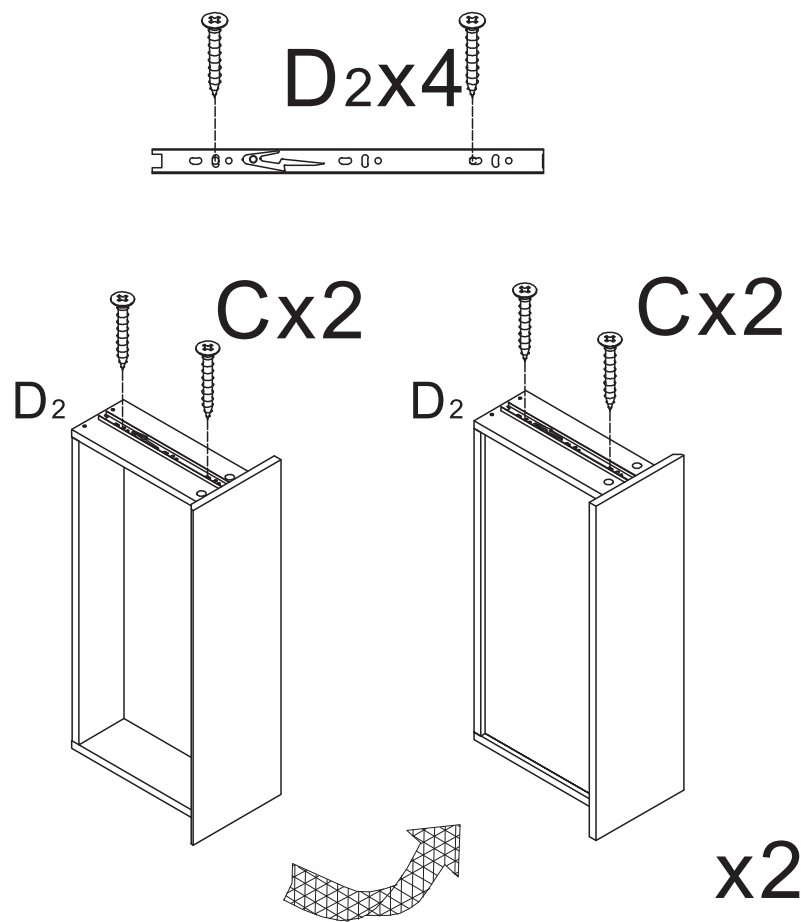
| | | | |
|---|-------|---|------|
| A | 10PCS | H | 4PCS |
|  | |  | |
| 15*10mm | | φ 15mm | |

16



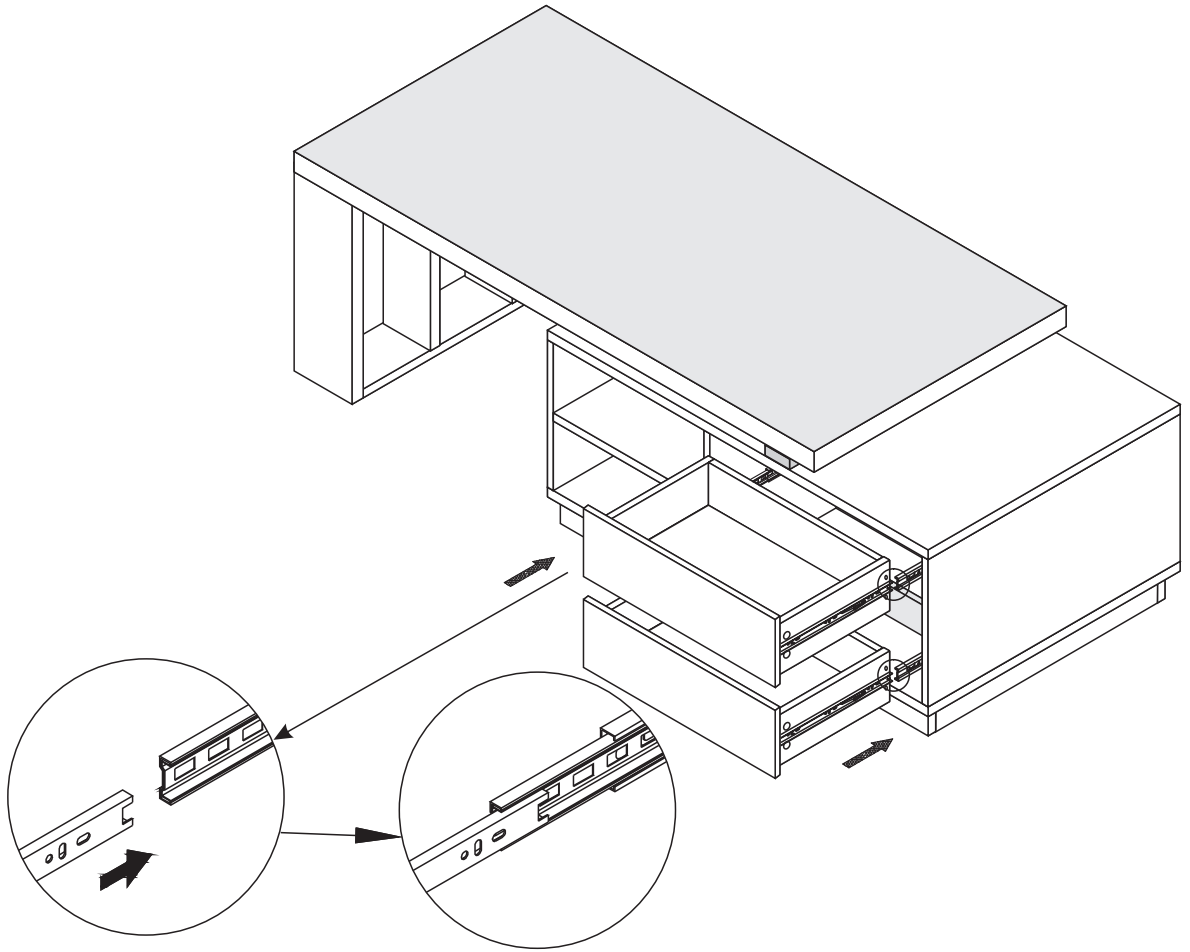
| | | | |
|----------|------|----------|------|
| A | 8PCS | E | 8PCS |
| | | | |
| 15*10mm | | 3.5*40mm | |

17

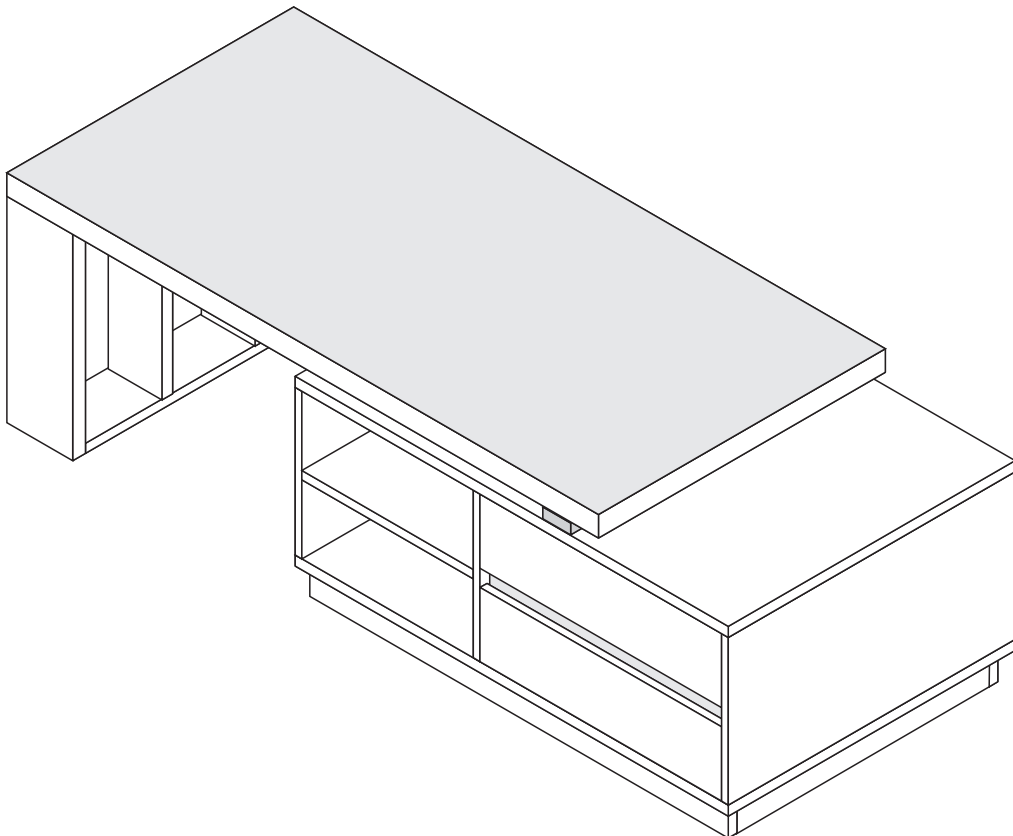


| | | | |
|----------|------|----------------------|------|
| C | 8PCS | D₂ | 4PCS |
| | | | |
| 3.5*14mm | | Three-section Rail | |

16



17



OK