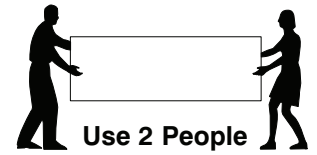
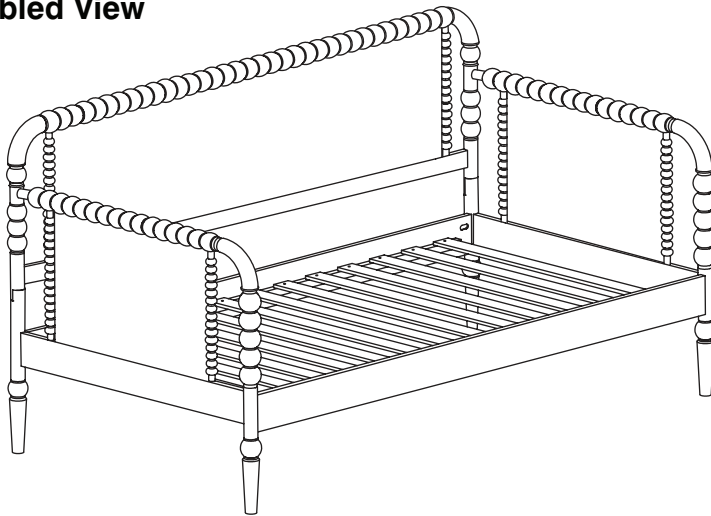


0110-4 Daybed

Assembly Instructions

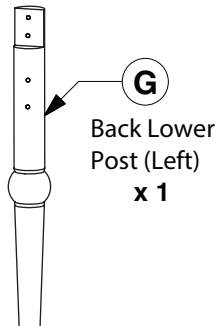
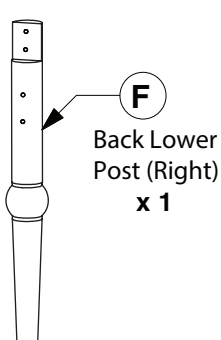
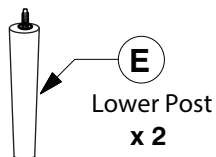
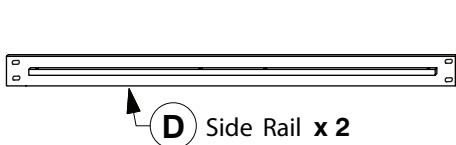
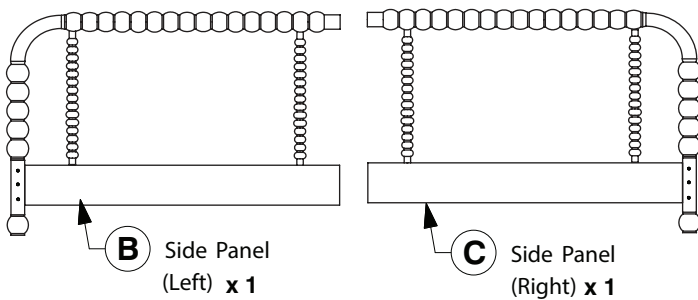
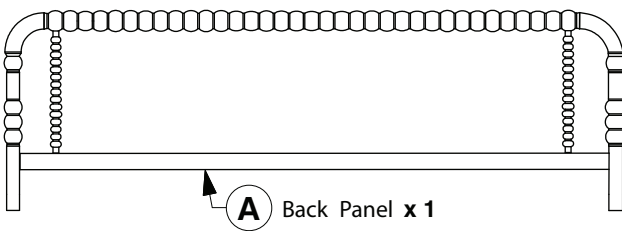
WII-1224

1 Assembled View

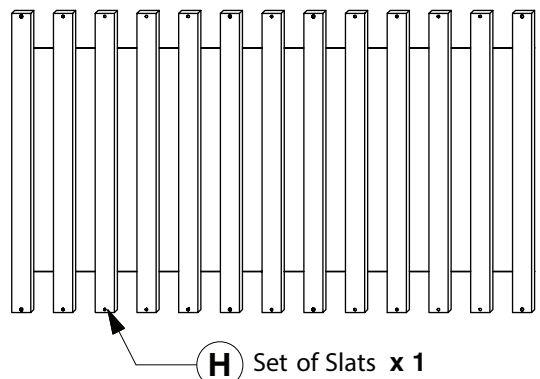


Note: Do not assemble using power tools. This can cause the bolts to be overtightened

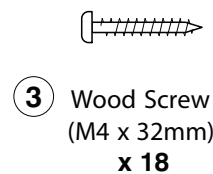
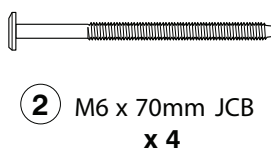
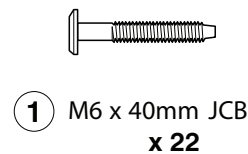
2 Parts in this Box



Slats are packed in separately in Box B



3 Hardware in this Box



4 Spring Washer x 4



5 M6 Flat Washer x 4



6 Wood Dowel (10 x 40mm) x 4



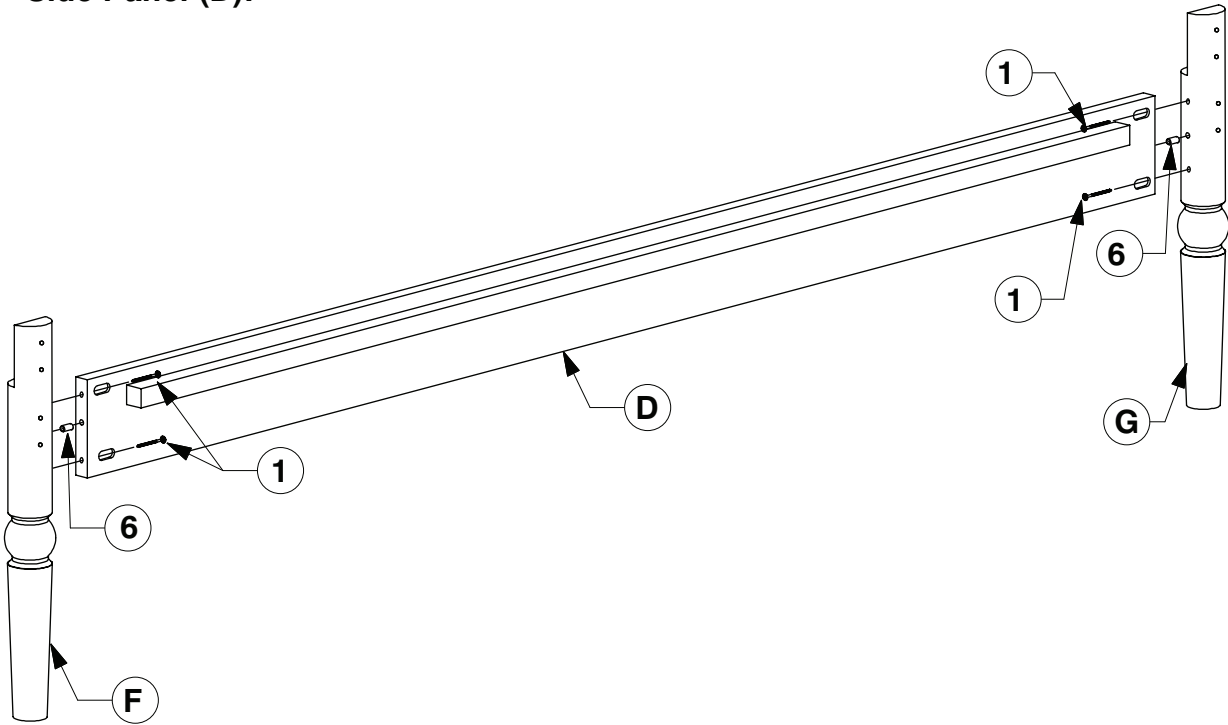
7 Allen Key x 1

0110-4 Daybed

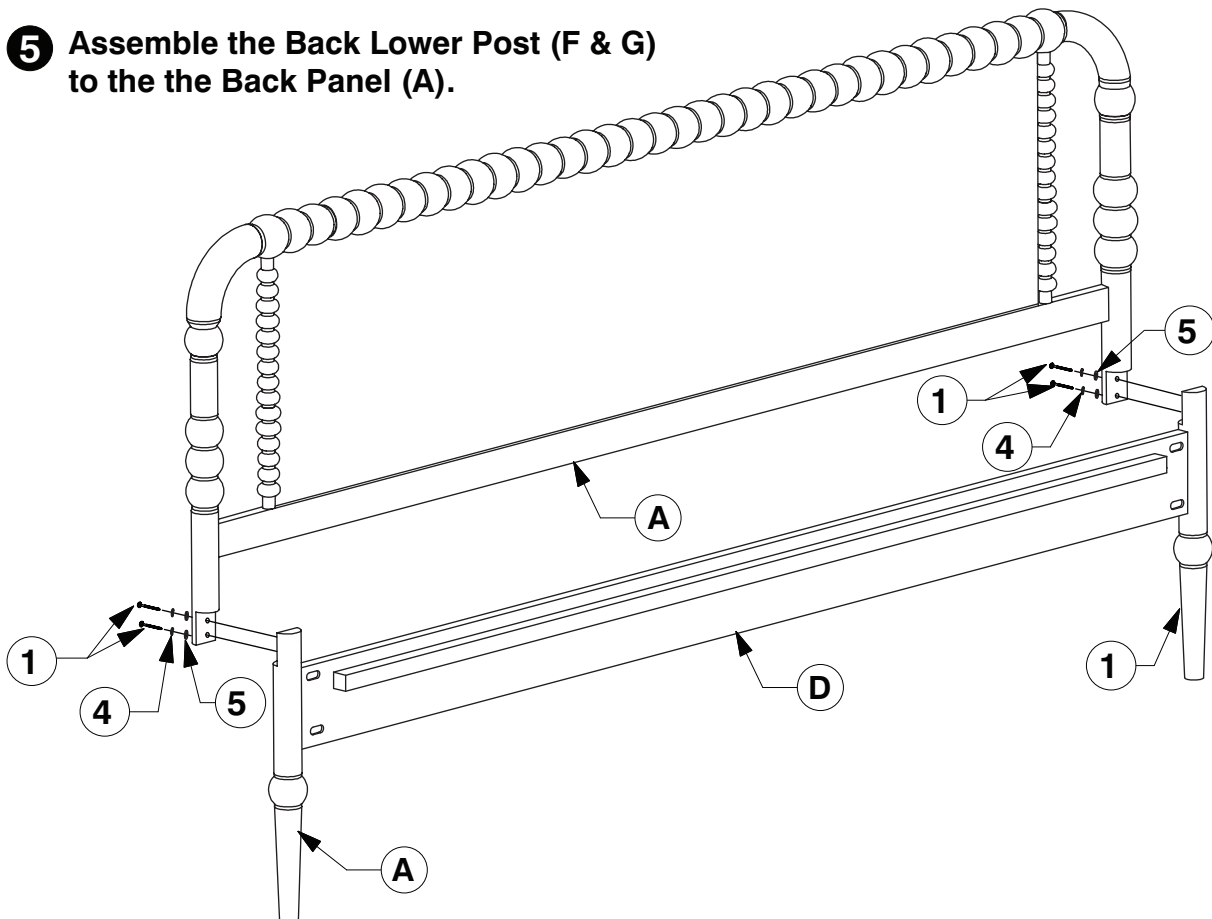
Assembly Instructions

WII-1224

- 4** Assemble the Back Lower Post (F & G) to the Side Panel (D).



- 5** Assemble the Back Lower Post (F & G) to the the Back Panel (A).

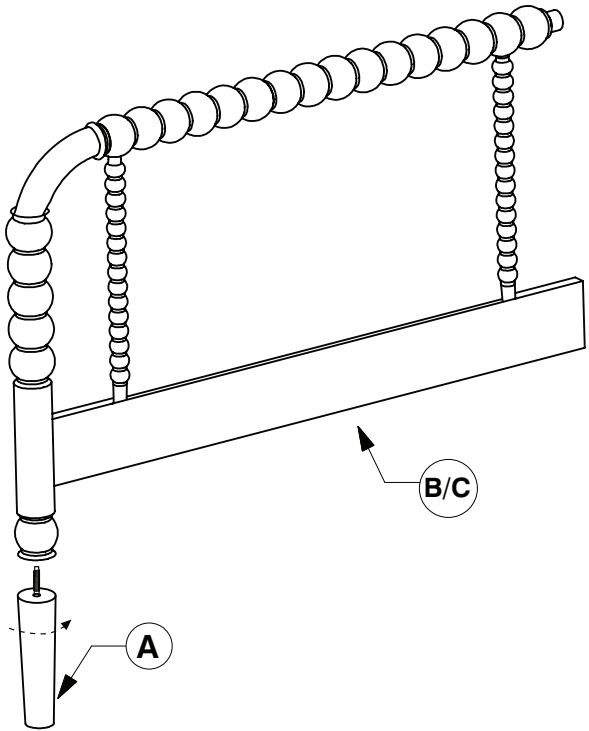


0110-4 Daybed

Assembly Instructions

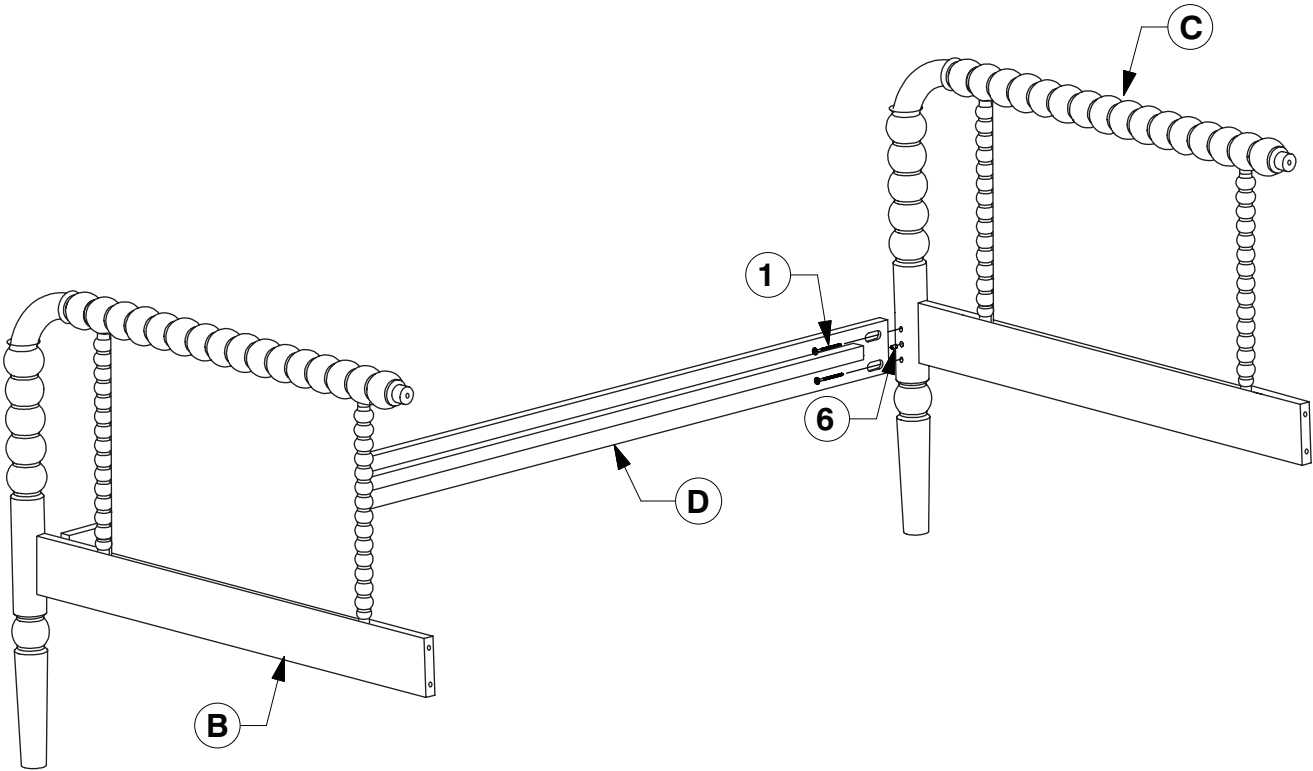
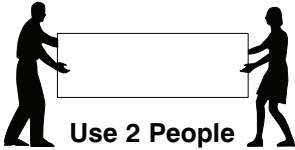
WII-1224

6 Fit the Lower Post (E) to the Side Panel (B/C).



x2

7 Assemble the Side Rail (D) to the Side Panel (B & C).

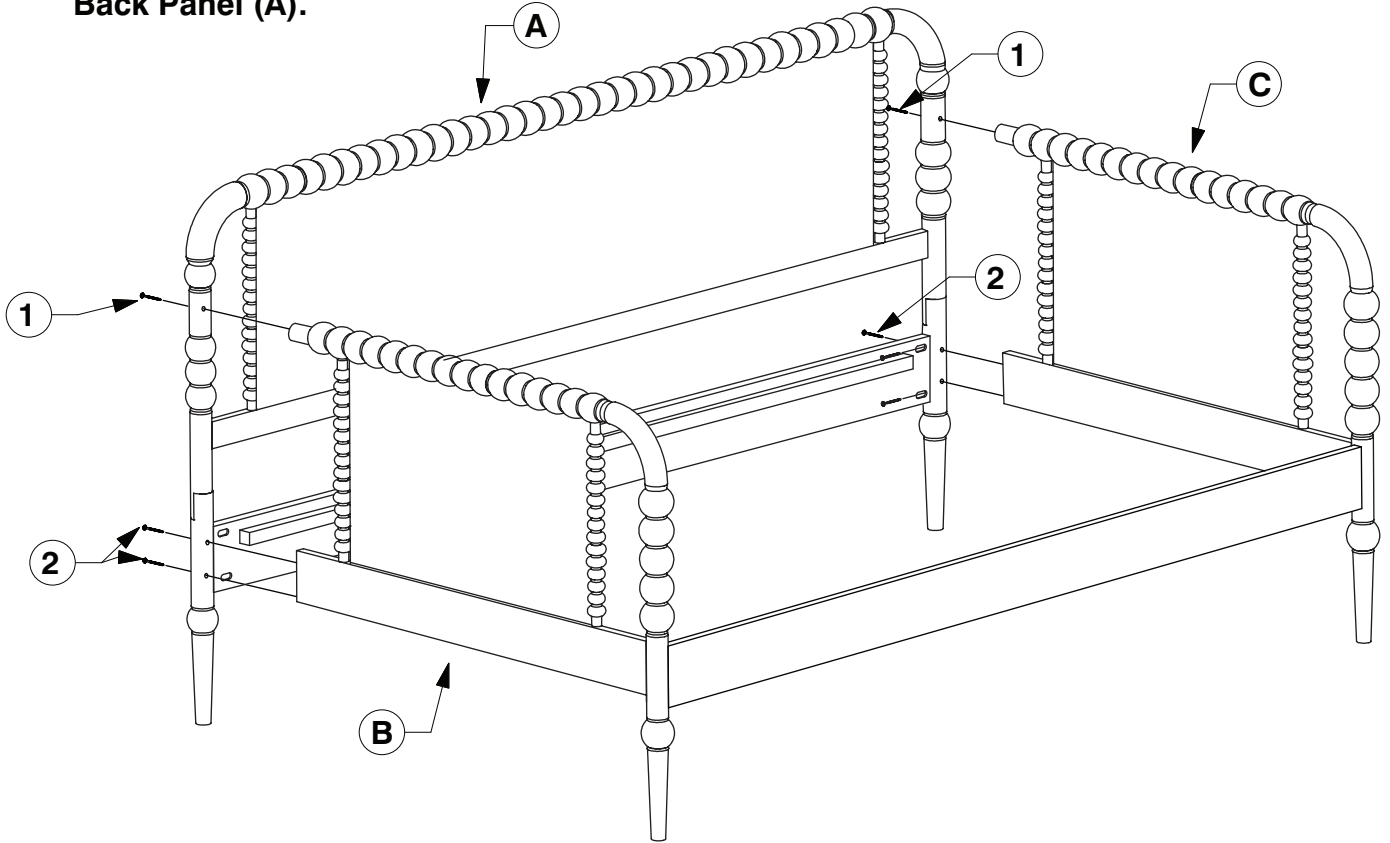


0110-4 Daybed

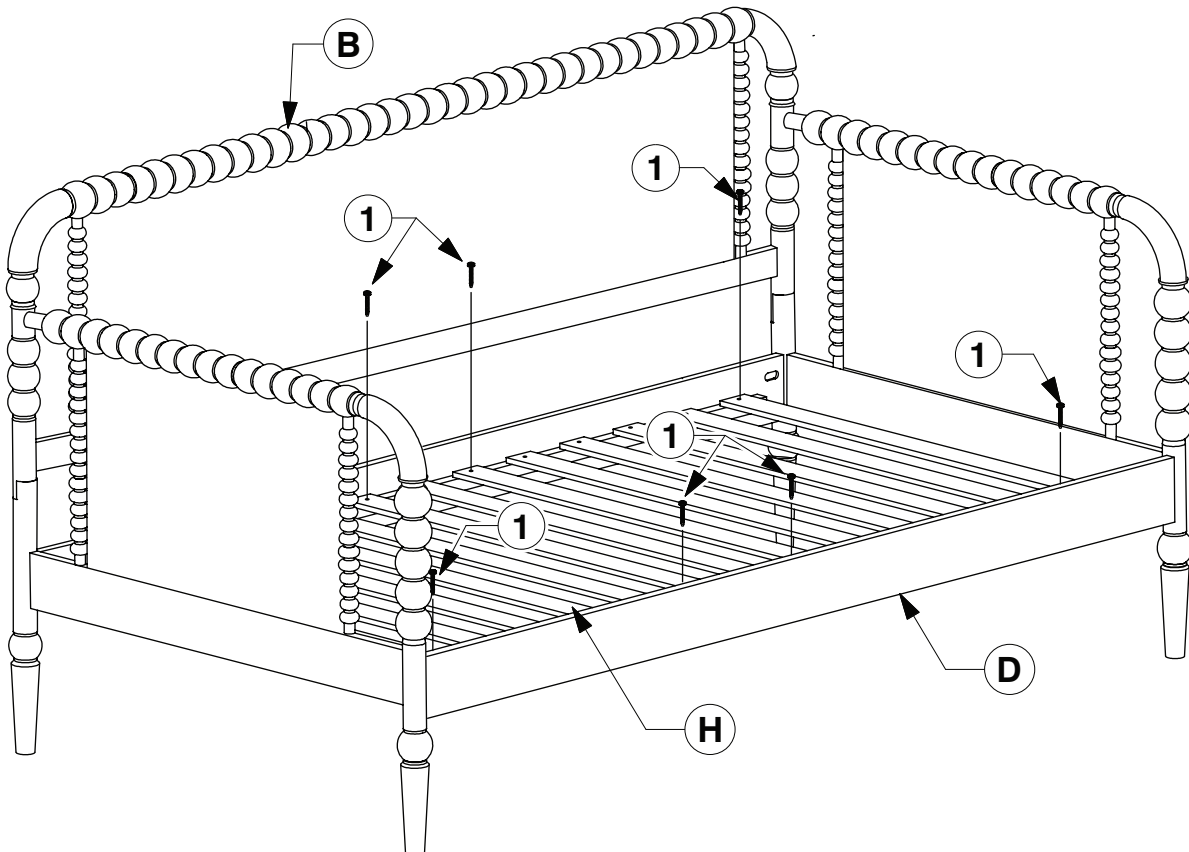
Assembly Instructions

WII-1224

- 8** Assemble Side Panel (B/C) to the Back Panel (A).



- 9** Bolt the Set of Slats (H) between the Side Rail (D).

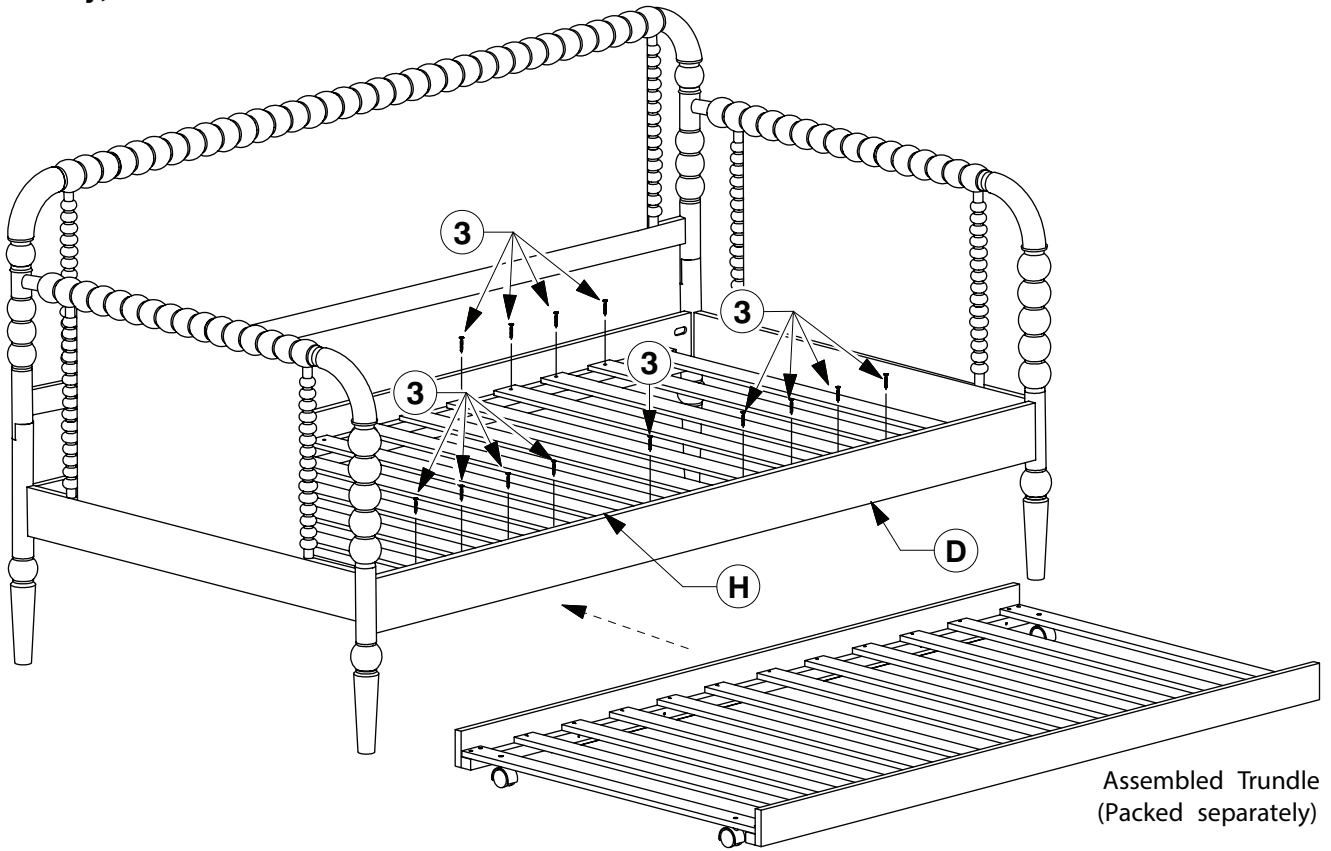


0110-4 Daybed

Assembly Instructions

WII-1124

- 10** Screw the Set of Slats (H) between the Side Rail (D).
Finally, fit the assembled Trundle.



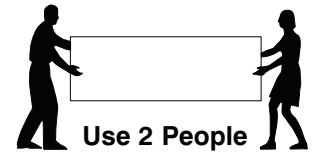
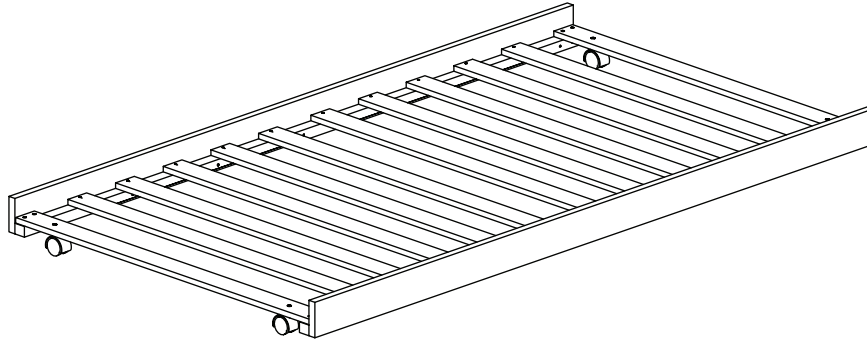
Assembled Trundle
(Packed separately)

0110-4 Daybed Trundle

Assembly Instructions

WII-1024

1 Assembled View

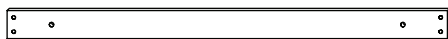


Note: Do not assemble using power tools. This can cause the bolts to be overtightened

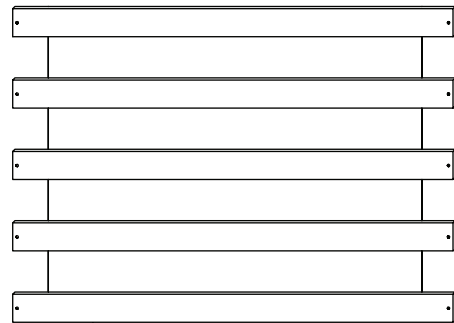
2 Parts List



A Trundle Panel x 2



B Trundle Support Rail x 2

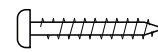


C Set of Slats x 2

3 Hardware List



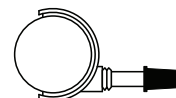
1 M6 x 40mm JCB
x 8



2 Wood Screw
(M4 x 32mm)
x 20



3 Allen Key
x 1



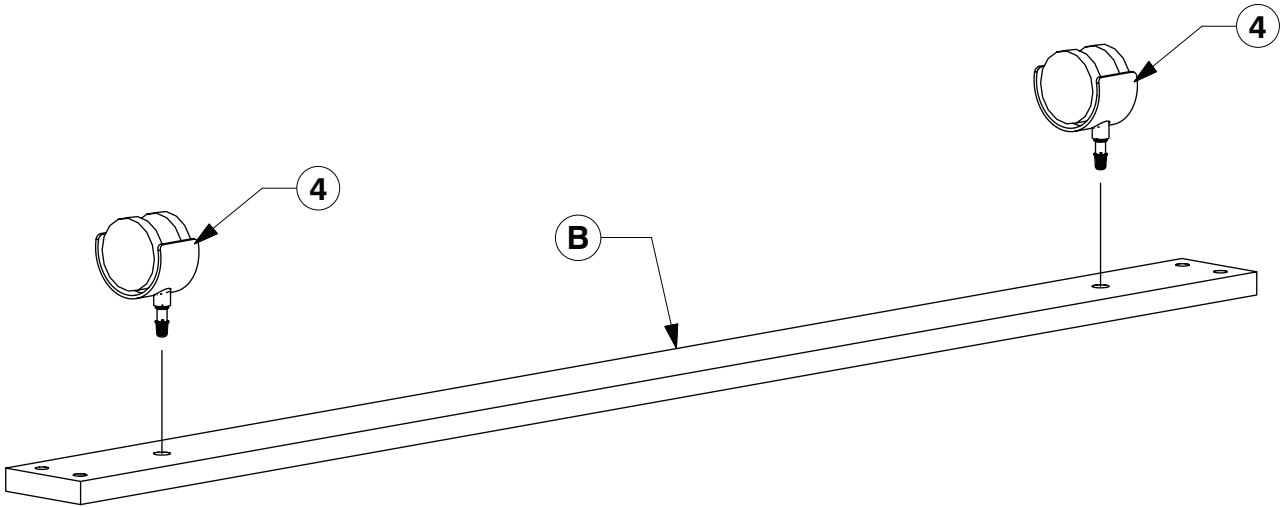
4 Wheels
x 4

0110-4 Daybed Trundle

Assembly Instructions

WII-1024

- 4** Fit the Wheels (4) to the Trundle Support Rail (B).



- 5** Assemble the Set of Slats (C) & Trundle Support Rail (B) to the Trundle Panel (A).

