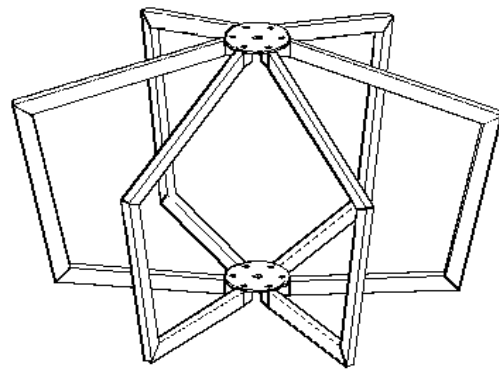
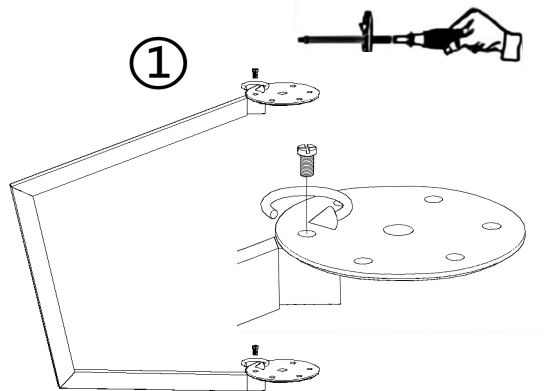
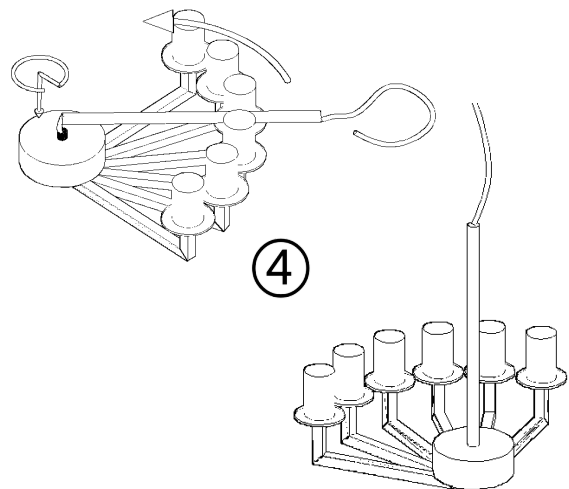
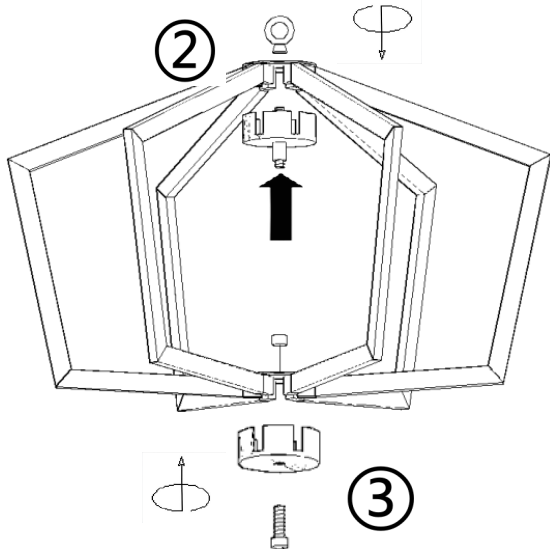


# Installation Instruction

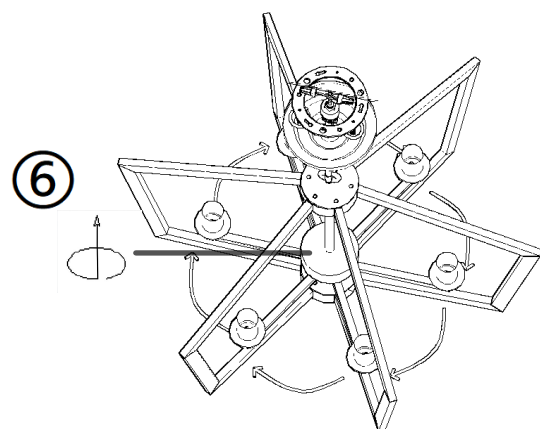
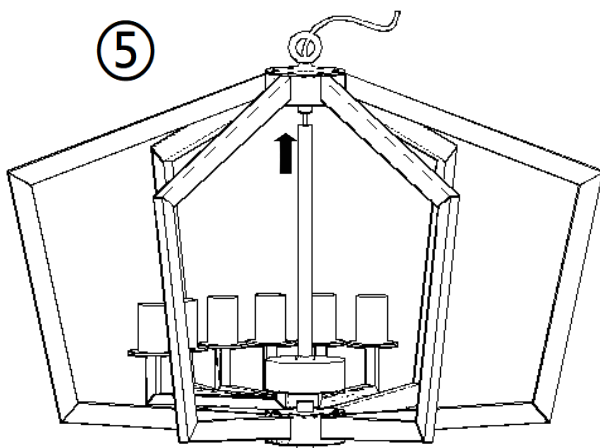


1. Install the profile to the round plate with screws.



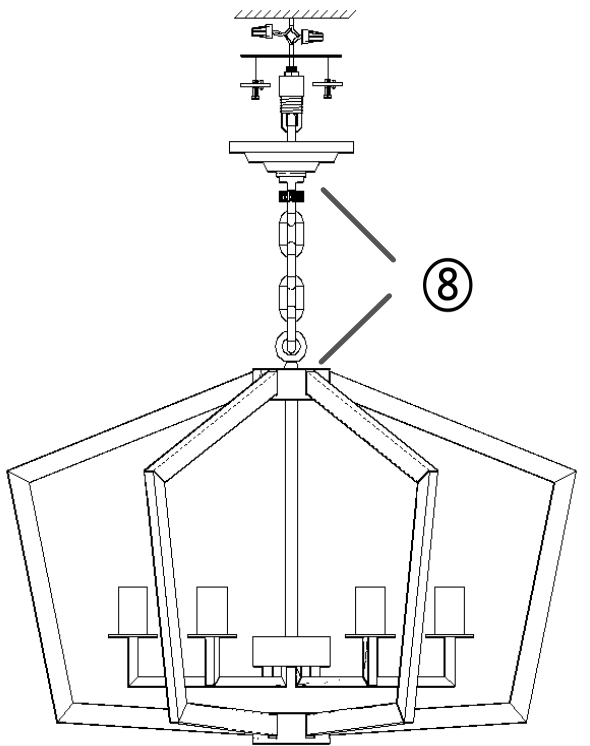
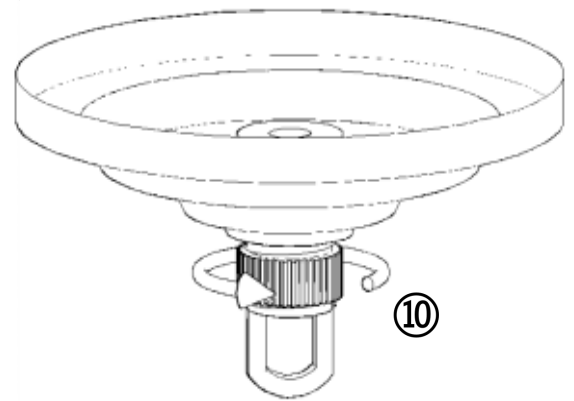
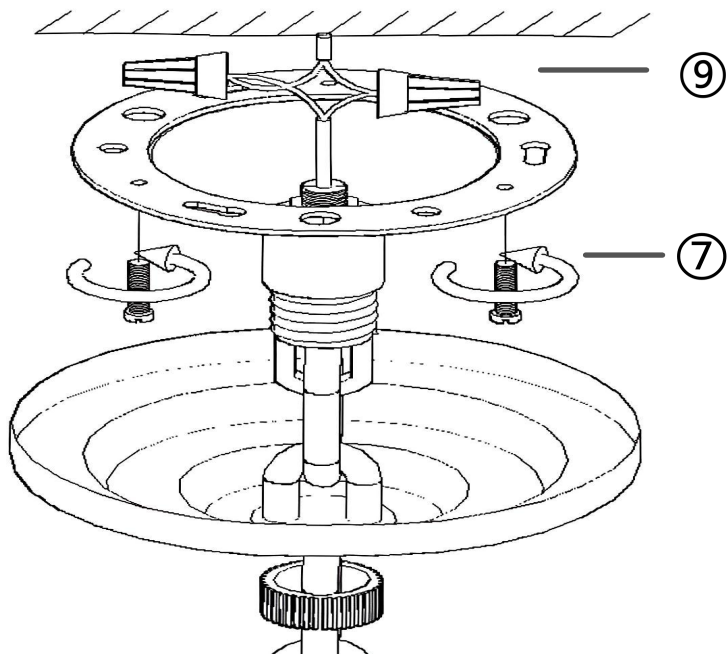
2-3. Close the cover box up and down of the fixture with bolt screw and end cap.

4. Let the wire go through the hanging tube, rotate to fasten the tube to the fixture.



5. Let the wire go through the upper box of metal frame, rotate to install the fixture to the metal frame.

6. Adjust the light arms to suitable position like picture shown.



7. Install the bracket to the ceiling junction box with screw.
8. Connect the chain to the light fixture, let the chain and wire go through the ring and canopy, after that hang the chain to the ring of bracket.
9. Connect the wire to the house line with cap connector.
10. Fasten the canopy to the bracket by rotate the ring, and install the bulbs (bulb not included in the package).

## Notice:

1. Check whether all of accessories are in the package when receive the product.
2. Please read carefully before installation.
3. Make sure that the electricity is powered off during installation.
4. Only a professional electrician should install this kind of product!