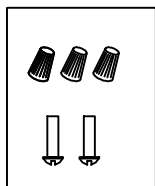
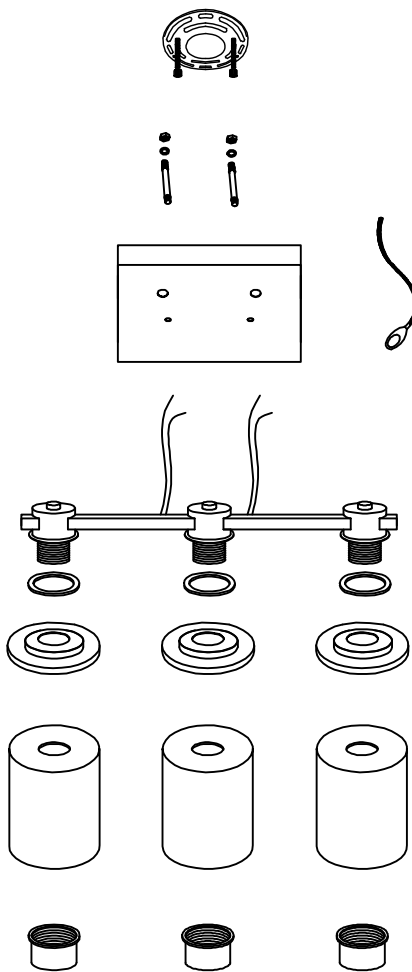
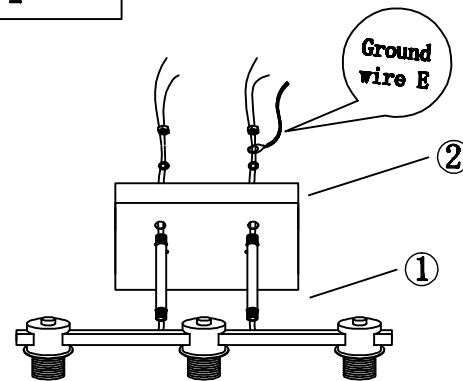


Parts



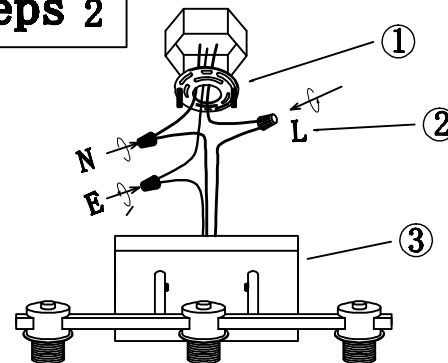
Steps 1



1; Get through the lamp wire to the canopy and screw the canopy to the short rod. (Use one of the nuts to lock the ground wire E)

2; Tighten the mini screw with a small wrench

Steps 2

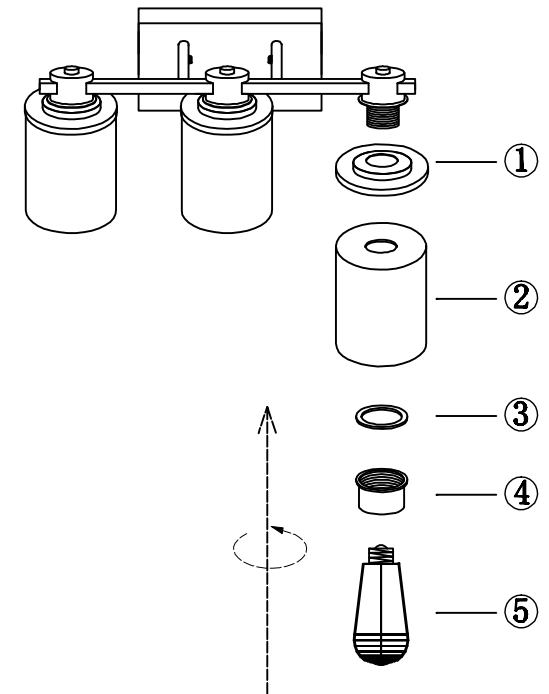


1. Assembled the mounting bracket to the ceiling junction box with the screw

2. Connect the power cord out from the ceiling junction box to lamp wires with the lead wire and wire nut, according to the color to connect. (U.S. - black for "L", white for "N", copper wire for "Ground E")

3. Assemble the canopy to the mounting bracket with the screw.

Steps 3



1. Install the lamp cover.

2. Install the glass shade.

3. Install anti-collision rubber ring

4. Screw the lamp ring.

5. Install the light bulb (bulb not included)