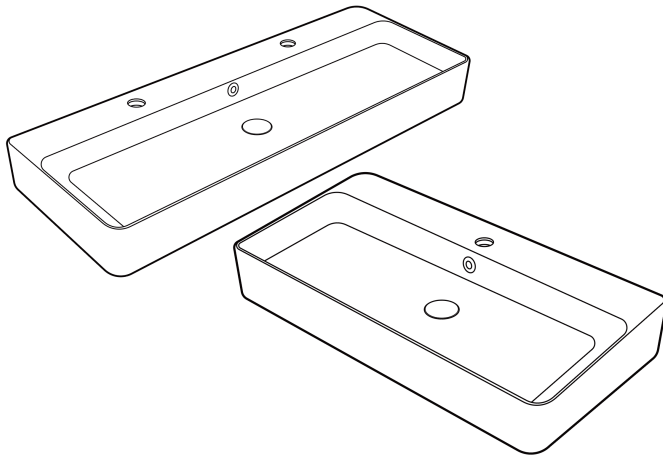




LOS FLEXI
CRAFTING YOUR HOME STORY



Vessel Sink

INSTALLATION & CARE GUIDE

cs@losflexi.com

www.losflexi.com

(+1) 662-502-5099

TABLE OF CONTENTS:

PRIOR TO INSTALLATION _____	3
TOOLS AND MATERIALS REQUIRED _____	4
PART LIST _____	4
INSTALLATION STEPS _____	5
Above Counter Installation _____	5
Wall-Hung Installation _____	7
DRAIN AND PLUMBING INSTALLATION GUIDE _____	11
PRODUCT CLEANING & CARE _____	13
TROUBLESHOOTING GUIDE _____	13
IMPORTANT CONSUMER INFORMATION _____	15
LIMITED WARRANTY COVERAGE _____	16

PRIOR TO INSTALLATION

Hey there, Sink Superstar!

MAKE YOUR BATHROOM SHINE! INSTALLING YOUR CHIC VESSEL SINK

So, you've got your hands on one of our fabulous vessel sinks. We couldn't be more excited for you! It's like adding a sprinkle of magic to your bathroom, turning it from drab to fab in no time. But before you dive headfirst into installation mode, let's cover a few important bases to ensure your sink setup goes swimmingly!

Before You Dive In:

- First up, treat that sink like it's your birthday present—unwrap it carefully and check for any travel scars like dings or dents. If you didn't find any, just tuck it back into its cozy box until installation time.
- Remember, while freestyling is great in dance, it's not the best approach to plumbing. Stick to the local building codes to keep everything smooth and legit!

Preparation and Safety Measures:

- Hot tip: before you start installation, shut off those hot and cold supplies. We don't want any surprise showers while you're working your magic.
- Check out those pipes - are they looking a little worse for wear? If so, swap them out like you're trading cards. We want everything in tip-top shape for this sink sensation!
- Keep in mind, that while your sink is sturdy, it's not indestructible. Handle it delicately, and lay down some protective material underneath to keep it safe and sound. There's no harm in getting a little extra support!
- And safety first, my friend! Strap on your tool belt and wear your safety glasses. We're about to embark on a DIY adventure!

Space and Seal Requirements:

- Give your sink some room to strut its stuff—make sure it has enough space to flaunt its faucet and backsplash. And for a leak-proof life, go with non-water-based silicone to seal the deal!

Additional Recommendations:

- When it's time to clean, avoid the harsh chemicals and opt for something a little gentler. Our sinks may be tough cookies, but they still deserve some tender loving care!
- If needed, hand over samples of your chosen materials to the contractors: your carpenter, tiler, and plumber. And make sure they're clued in on all the project ins and outs.
- If you're feeling a bit lost in the maze of plumbing puzzles, don't hesitate to ring up the pros for a little backup!
- Got questions or concerns? Don't be shy, give us a shout! Whether it's shipping snafus or sink sagas, we're here to help via e-mail: cs@losflexi.com.

Well, there you have it, Sink Sorcerer! Armed with these nifty tricks, you're all set to conquer that vessel sink installation with the finesse of a seasoned pro. Now, off you go, and let your bathroom fantasies take flight!

Vessel Sink Regards,
The Los Flexi Team

TOOLS AND MATERIALS REQUIRED (not supplied)



Pencil



Tape Measure



Acetone



Hole Saw



Drill



Adjustable
Wrench



Damp Cloth



Silicone
Sealant



Plumber's
Tape



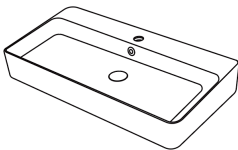
Faucet

PROTECTIVE EQUIPMENT

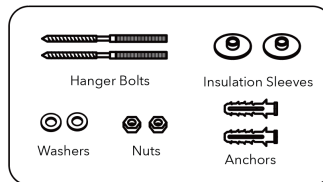


Safety Glasses

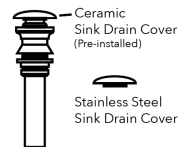
PART LIST



Vessel Sink



Wall Mounting Kit



Sink Drain Kit

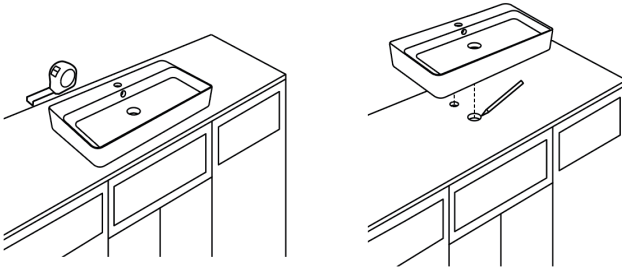
*The illustrations are for display purposes only.
For detailed specifications, please check our website: losflexi.com.*

INSTALLATION STEPS

Above Counter Installation

Step 1: Determine The Drain Hole And Faucet Position

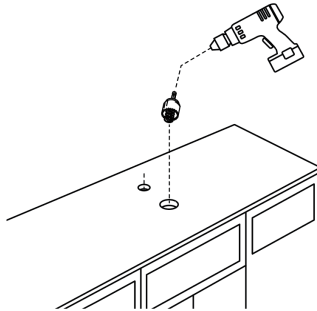
- Dry fit the faucet to the sink and position the sink in the desired location.
- Trace the outline of the drain hole with a pencil and determine the position of the faucet hole.



Step 2: Drill The Countertop

- Cut the countertop for the drain and faucet opening with an appropriate size of hole saw.

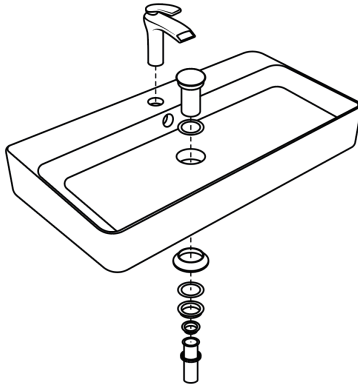
NOTE: Please wear safety glasses to prevent injury.



Step 3: Install The Faucet And The Drain

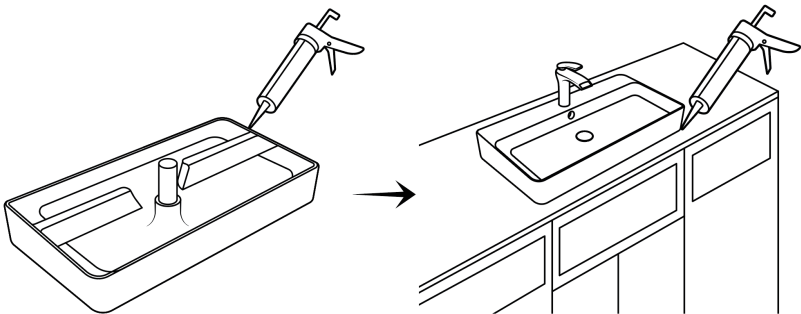
- Install the faucet (not included) and the drain to the sink before mounting it. It will also make later installation steps easier.

NOTE: For complete installation, please check the "Drain and Plumbing Guide" on page 11.



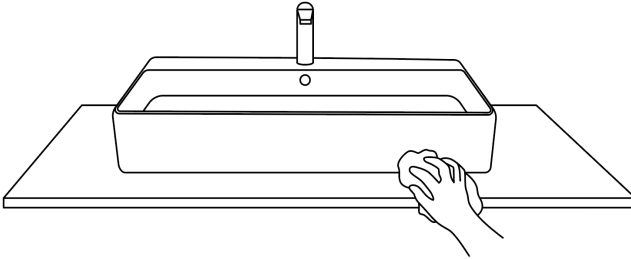
Step 4: Install The Sink

- Apply a bead of clear silicone sealant (or preferred adhesive) around the underside of the sink.
- Turn the sink right-side-up and position it over the drain hole. Carefully place it on the countertop, align, and press it firmly.
- For additional stability, apply a continuous bead of sealant around the perimeter of the sink base.



Step 5: Final Touches

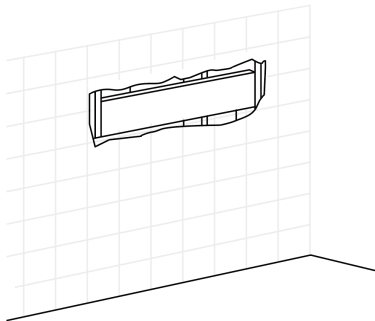
- Allow the sealant to set for 30 - 60 minutes.
- At the same time, remove any excess sealant with a damp cloth or acetone.



Wall-Hung Installation

Step 1: Wall Preparation

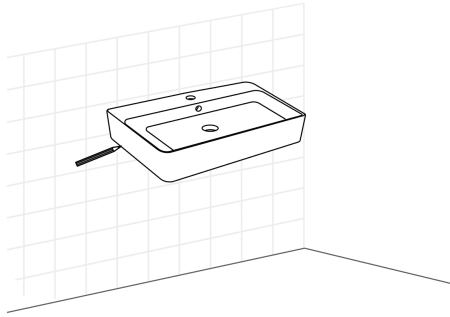
- For bathrooms with stud walls, it's essential to provide adequate wall support for the mounting screws.
- We recommend using 2 x 6 inch plywood to ensure stability and strength for the installation.



Step 2: Determine The Sink Placement

- Set the sink in its intended installation spot, check its level, and then outline where the mounting holes will be.

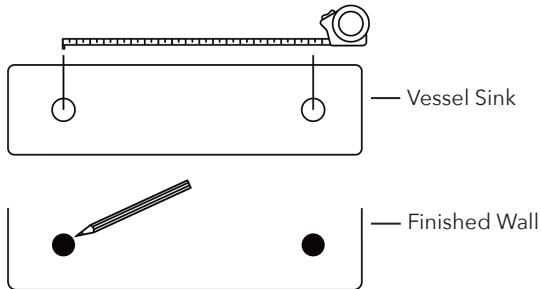
NOTE: The ceramic sink is heavy. Ask someone to help you hold the sink if needed.



Alternative Solution:

If the sink is too heavy for you, this solution may help:

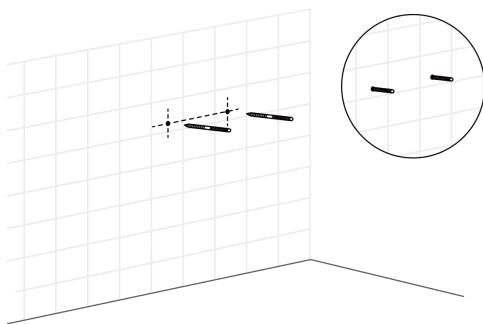
- Measure the distance between the center of each mounting hole on the back of the sink.
- Draw 2 marks on the wall in the desired mounting location. Ensure that the two marks are level with the floor.



Step 3: Drilling

- Drill holes at the marked spots on the wall, and insert the anchors and hanger bolts into these holes.

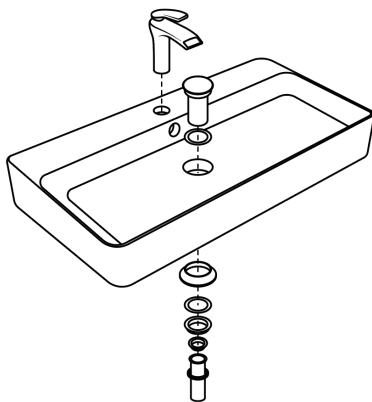
NOTE: Please wear safety glasses to prevent injury.



Step 4: Install The Faucet And The Drain

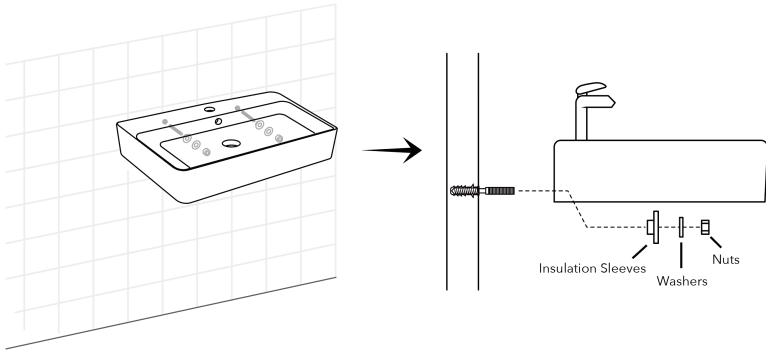
- Install the faucet (not included) and drain to the sink before mounting it. It will also make later installation steps easier.

NOTE: For complete installation, please check the "Drain and Plumbing Guide" on page 11.

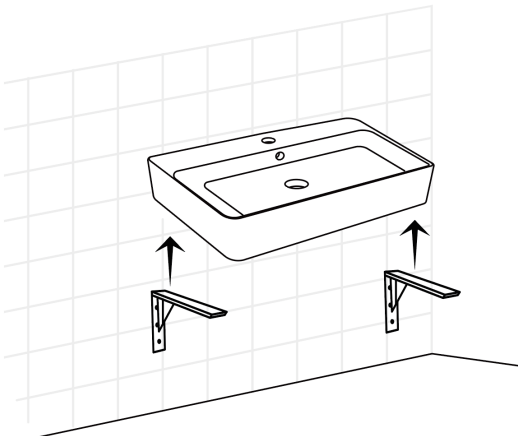


Step 5: Mount The Sink Onto The Hanger Bolts

- Fasten it in place as illustrated. Ensure not to tighten the bolts excessively as this could lead to chipping or cracking of the sink.



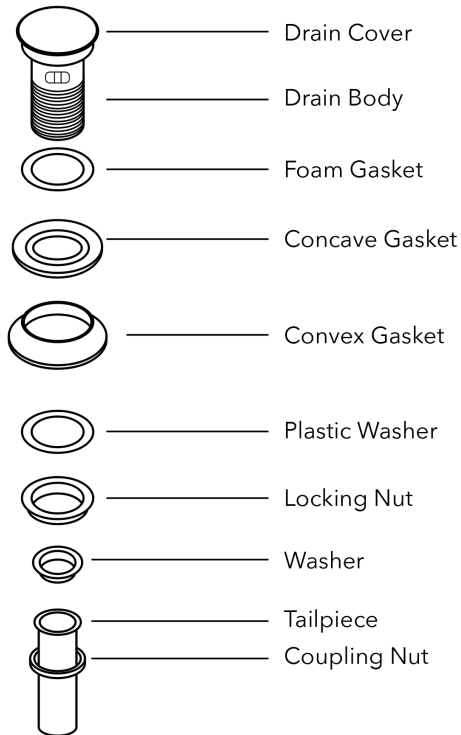
TIP: It is recommended to add brackets (not included) to support the sink due to its heavy weight.



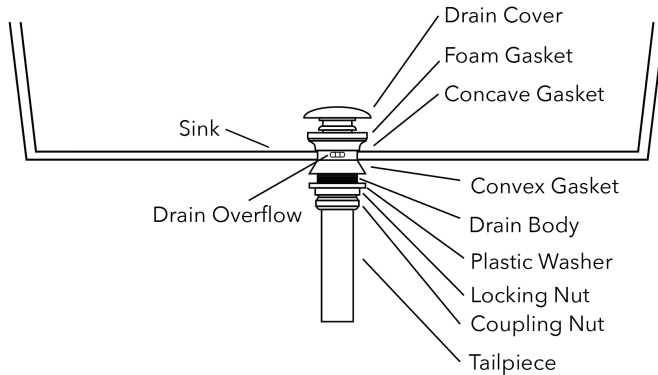
DRAIN AND PLUMBING INSTALLATION GUIDE

Drain

- Take out the drain from the box and disassemble it.

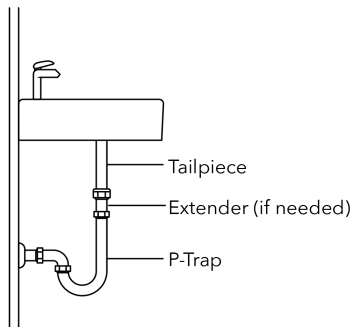


- Place the components into the drain opening as illustrated. Align the overflow hole on the drain body with the overflow hole on the sink. Use plumber's putty to enhance stability if needed.
- From the underside of the sink, apply the plumber's tape to the threading on the drain body.
- Slide in the components as illustrated. Use the adjustable wrench to tighten if needed.
- Place the washer inside the tailpiece. Thread the tailpiece onto the drain body until tight.



Plumbing

- Fit the drain components as the provided guidelines and connect both the inlet and drainpipe fittings. (The illustration is for display purposes only)
- Run water into the sink and check for leaks.



PRODUCT CLEANING & CARE

- **Shine:** Bring the glow back to your porcelain vessel sink simply by pouring vinegar directly into the bowl. Scrub the area with a nylon brush, thoroughly rinse it, and admire the surface's renewed finish, as good as new.
- **Sanitization:** Achieve a deep clean of your porcelain sink with a gentle chlorine-bleach cleaner, adhering strictly to the manufacturer's guidelines. For an alternative method, immerse the sink in a bleach solution (1 part bleach to 3 parts water) for 30 to 60 minutes. Afterward, drain, rinse well, and dry.
- **Scuffing:** To address light scuff marks, which appear as gray lines, apply a mixture of baking soda and water using a sponge or soft cloth. After applying, rinse and dry the area thoroughly. For stubborn stains, consider using a non-abrasive polishing cleanser, making sure to follow the manufacturer's directions.
- **Damage:** Porcelain's durability is one of its greatest attributes, yet it is not impervious to damage from heavy impacts, which can chip the surface. Such chips can make the affected area more prone to staining and bacterial growth. Keep the damaged area clean and dry, and consult a professional plumber for repair options.
- **Clearing And Deodorizing The Overflow Hole:** Use a brush to clean and the boiling water to rinse the sink's overflow hole, stopping clogs and mold. For smells, use baking soda and vinegar, then rinse to keep the sink smelling clean.
- **Cleaning And Maintenance Recommendations:** For routine care, we advise washing enameled surfaces with soap and water after each use, followed by drying with a soft cloth. Though porcelain resists moisture well, it's beneficial to keep it dry as much as possible. Avoid the use of abrasive cleaners or sponges on your porcelain vessel sink, as these can scratch or mar the finish, detracting from its beauty and longevity.

TROUBLESHOOTING GUIDE

Water Splash:

- Adjusting the water pressure of your faucet can also help reduce splashing. High water pressure can cause harsh streams, leading to splashing.
- Consider using aerated faucets, which introduce air bubbles into the stream, reducing water pressure and providing a lighter and bubbly flow.

Clogged Drain

- First, try using hot or boiling water, or a mixture of vinegar and baking soda, to break up minor blockages. If these methods do not work, consider using a commercial drain cleaner for its stronger cleaning strength.

- If the issue persists, consider using tools like a plunger, a drain auger (also known as a snake), a Zip-It tool, or a wet-dry vacuum.
- Sinks often clog because hair gets caught in the drain. Remove the drain cover, clean out the hair, rinse it off, and put it back.
- If all else fails, clean the P-trap. Place towels and buckets under the sink, locate and unscrew the P-trap, clean it with water, dish soap, or vinegar, reassemble it, and test for proper drainage.

Sink Leakage

- Inspect the seal between the sink and the countertop. Make sure it is intact and has no gaps or visible wear.
- Damaged or old seals may lead to leakage. Clean off the old caulk and apply a new layer of waterproof bathroom caulk or silicone sealant around the base of the sink where it meets the countertop.
- Ensure that the drain assembly is properly tightened. A loose drain can allow water to seep onto the countertop.
- Check the faucet and its connections for leaks. Ensure that the faucet is securely attached and that all connections are tight.
- After making adjustments, dry the area thoroughly and monitor it for a while (use the sink as normal) to see if the issue persists.

Wobbling Or Loose Sink

- If the seal is old and damaged, it may cause the sink to wobble. Remove the old seal with a putty knife, disconnect the drain, and take out the sink. Then clean the remaining seal off the countertop. Apply a fresh layer of silicone sealant between the sink and the countertop to improve stability and seal against water leaks.
- Examine the drain assembly for any looseness. Tighten the drain nut under the sink to secure the drain firmly to the sink.
- Ensure the countertop surface where the sink sits is flat and even. Uneven surfaces can cause the sink to wobble. If the surface is uneven, consider adding shims between the sink and countertop to level the sink.

IMPORTANT CONSUMER INFORMATION

Consumer Responsibilities For Vessel Sink Maintenance

- Prevent damage by not placing excessively heavy objects in or on your vessel sink. This avoids any potential for harm or instability.
- Regular maintenance is key. Use gentle and non-abrasive cleaning solutions on your vessel sink. Follow the manufacturer's cleaning instructions carefully to preserve the surface.
- Promptly address any drips or leaks from your faucet or pipes to avoid the nuisance of water leaks.
- Keep the drain clear of obstructions. Utilize a strainer to catch debris and clean the P-trap periodically. A plunger or drain snake can be invaluable tools for maintaining clear pipes.
- Professional assistance is recommended to ensure optimal performance and safety for installation, significant repairs, or complex plumbing issues.
- Ensure your sink and its surroundings are well-sealed with caulk to protect against water intrusion.

WARNING

- AVOID using abrasive cleaners, scouring pads, or steel wool on the sink. These materials can scratch and damage the finish.
- Handle your sink with care, particularly during installation. Vessel sinks can suffer chips or cracks from rough handling. Ensure it is properly and securely installed to avoid any risks.
- DO NOT overload the sink with heavy items. Vessel sinks are not designed to bear excessive weight, and overloading them could result in damage or a safety hazard.
- DO NOT place hot items directly on the surface of the sink to avoid the risk of cracking or discoloration.
- DO NOT alter the structure of the sink. Any modifications can compromise its integrity and safety.
- Prevent clogs by ensuring the drain remains free of debris. Blocked drains can cause water backup and potential damage.

LIMITED WARRANTY COVERAGE

TWO YEAR LIMITED WARRANTY

Los Flexi products are crafted with superior materials and impeccable workmanship, offering our customers reliable and long-lasting products. If defects in materials or craftsmanship are detected under standard use within the first two years of installation, Los Flexi will either supply replacement parts at no charge or, if deemed necessary, replace the product or its parts.

This warranty is exclusive to the original purchaser, and proof of purchase is mandatory for any claim.

This Warranty Will Be Voided If:

- The product's installation did not follow our recommendations.
- The product was relocated from its initial installation site.
- The product underwent any modifications from its original condition.
- The product suffered from neglect, misuse, chemical overuse, accidents, or any other damages.

Los Flexi does not imply that our products adhere to local building or plumbing codes. Consumers must ascertain local code compliance before and during installation. This warranty is strictly for the original purchaser and first consumer.

Los Flexi won't be held responsible for any consequential damages linked to the product's installation, replacement, return, or usage. This includes, but is not limited to, freight charges, labor, downtime, home damages, and other associated costs (e.g., professional services, investigations, audits, legal fees). This Los Flexi warranty clearly delineates our liability. Items not specified in this warranty fall outside Los Flexi's responsibility. In states with variations concerning implied warranties, our compliance is ensured.

For any queries or concerns, feel free to reach out to us at

Email: cs@losflexi.com
Phone: (+1) 662-502-5099
Site: www.losflexi.com