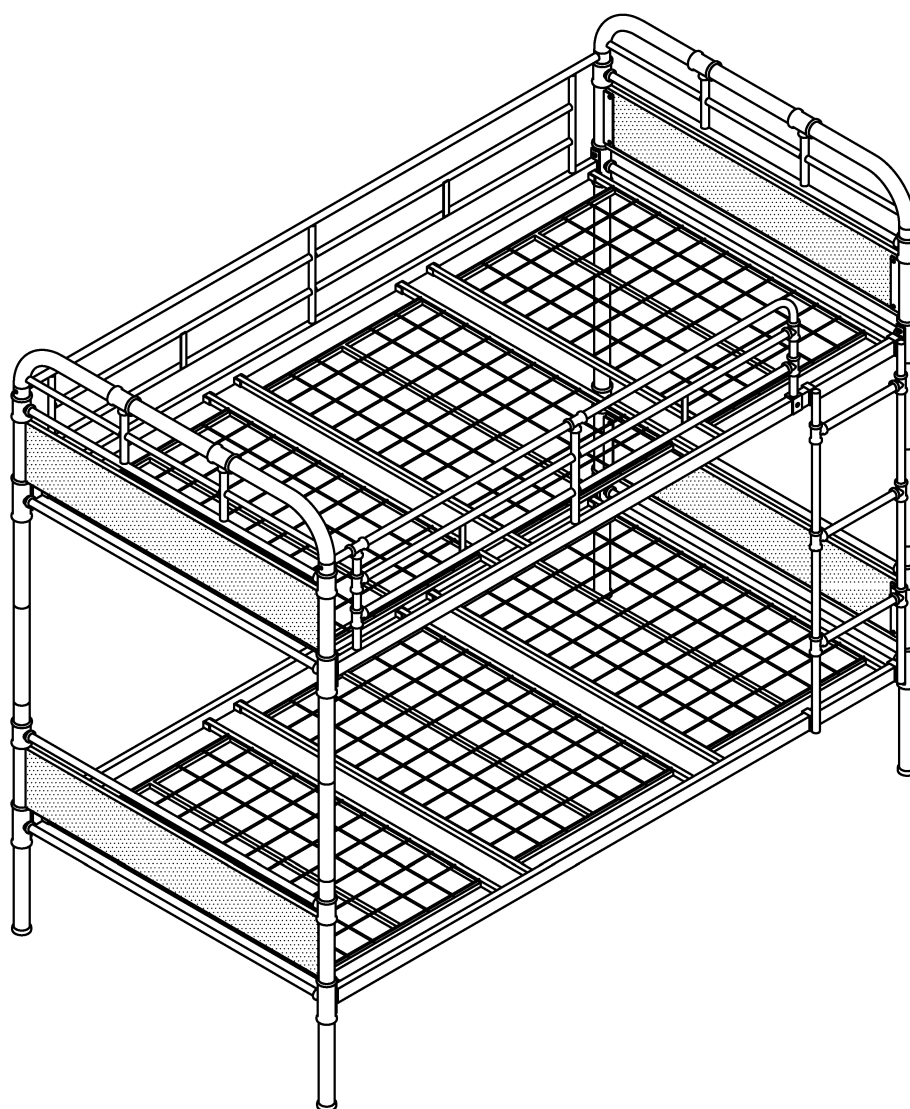


Assembly Instructions



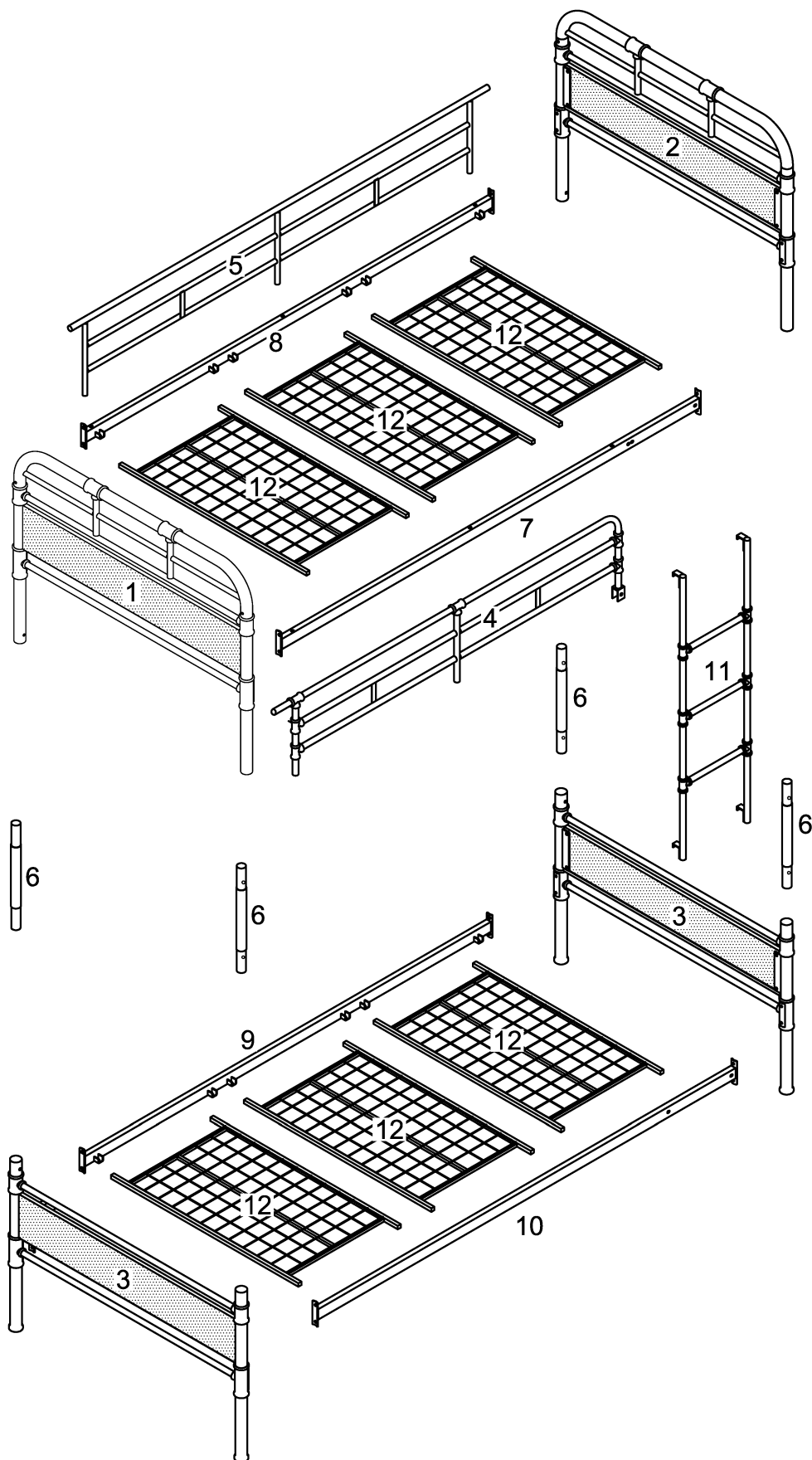
Safety warning

1. Follow the information on the warnings appearing on the upper bunk end structure and on the carton. Do not remove warning label from bed.
2. Always use the recommended size mattress or mattress support, or both, to help prevent the likelihood of entrapment or falls.
3. Surface of mattress must be at least 5 in (127mm) below the upper edge of guardrails.
4. Do not allow children under 6 years of age to use the upper bunk.
5. Periodically check and ensure that the guardrail, ladder, and other components are in their proper position, free damage, and that all connectors are tight.
6. Do not allow horseplay on or under the bed and prohibit jumping on the bed.
7. Always use the ladder for entering and leaving the upper bunk.
8. Do not use substitute parts, Contact manufacturer or dealer for replacement parts.
9. Use of a night light may provide added safety precaution for a child using the upper bunk.
10. Always use guardrails on both long sides of the upper bunk. If the bunk bed will be placed next to the wall, the guardrail that runs the full length of the bed should be placed against the wall to prevent entrapment between the bed and the wall.
11. The use of water or sleep flotation mattress is prohibited.
12. Keep these instructions for future reference.
13. Use only mattress which is (74"-75")X(37 $\frac{1}{2}$ "-38 $\frac{1}{2}$ ")X6" on upper bunk and for bottom bunk required (74"-75")X(37 $\frac{1}{2}$ "-38 $\frac{1}{2}$ ")X8" mattress.
14. Prohibit more than one person on upper bunk.
15. Maximum total weight is not to exceed 400 lbs. on the upper bunk.


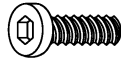


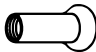

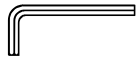

STRANGULATION HAZARD:

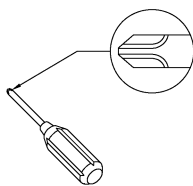
Never attach or hang items to any part of the bunk bed that are not designed for use with the bed, for example, but not limited to, hooks, belts, and jump ropes.

Parts List



Hardware List

A		Ø1/4"X1/2"	Bolt	8 pcs
B		Ø1/4"X5/8"	Bolt	41 pcs
C		Ø1/4"X1-1/4"	Bolt	4 pcs
D		Ø1/4"X2-1/4"	Bolt	8 pcs
E		Ø1/4"X22mm	Nut	1 pc
F		Ø16mm	Washer	50 pcs
G		4x4mm	Wrench	2 pcs
H			Plastic end lock	8 pcs



Philips head screwdriver required for assembly
(not included)

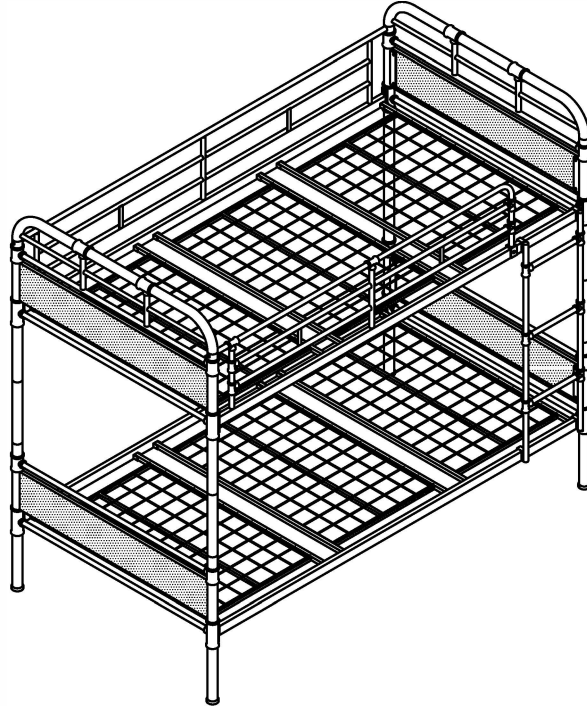
*The hardware quantities listed above are required for proper assembly.
Some extra hardware may also have been included.*

TWO ASSEMBLY OPTIONS

Option A

(Double beds)

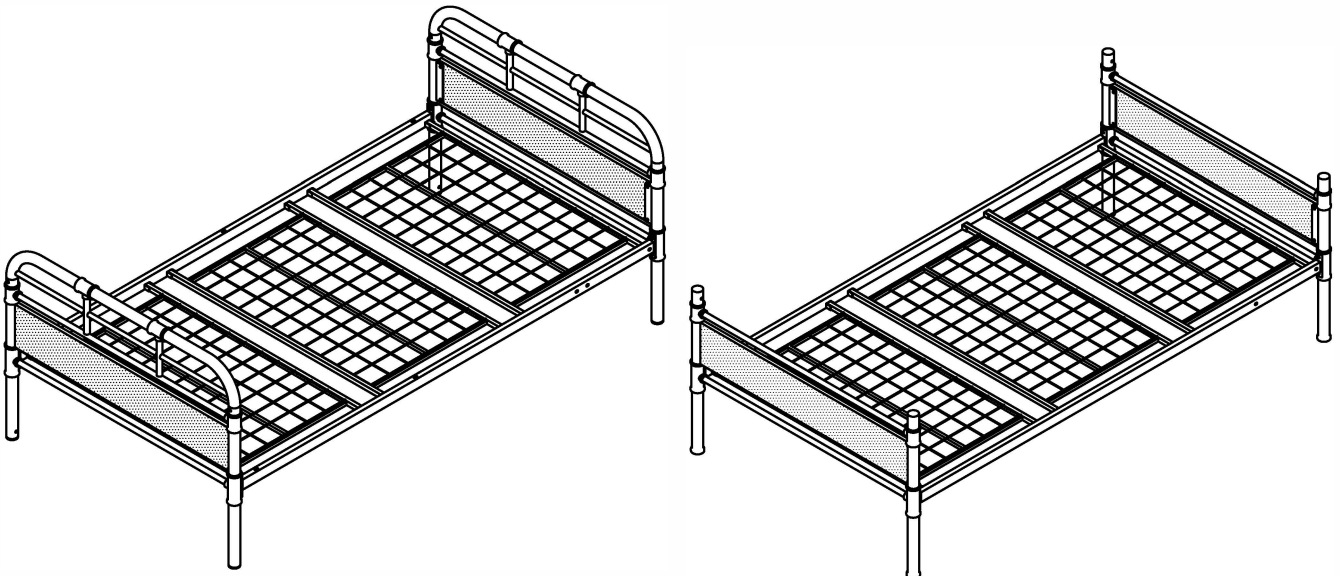
To build this option follow steps 1-11.



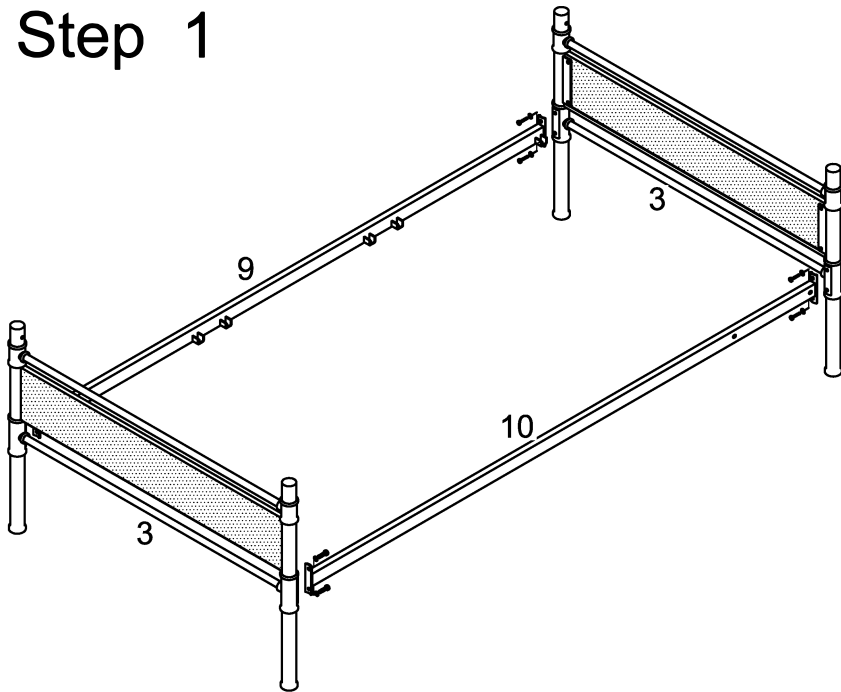
Option B

(Two single beds)

To build this option follow steps 1-11,
then follow step 12 -17 .

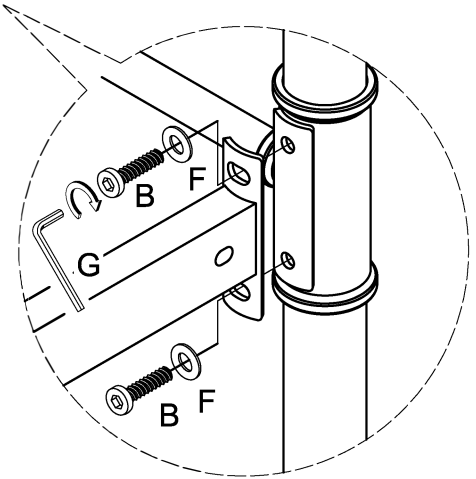


Step 1



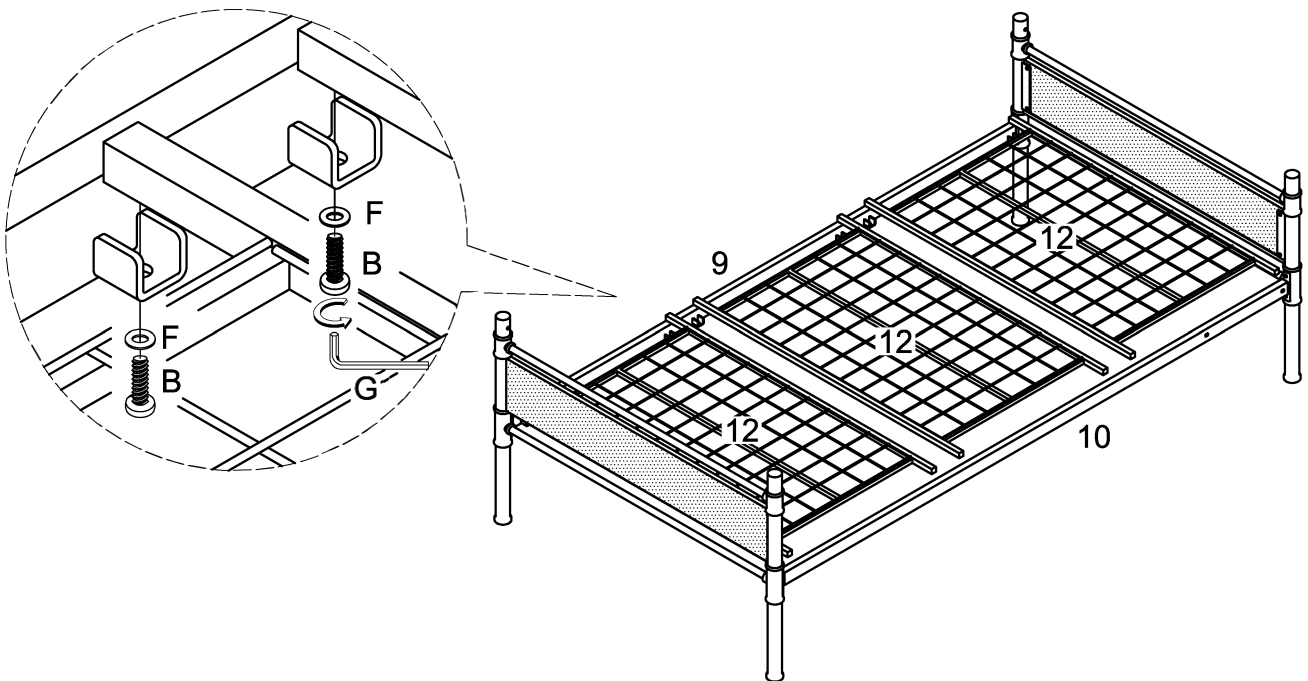
ASSEMBLY

Do not fully tighten all bolts until assembly is complete. This will help all parts to assemble properly.



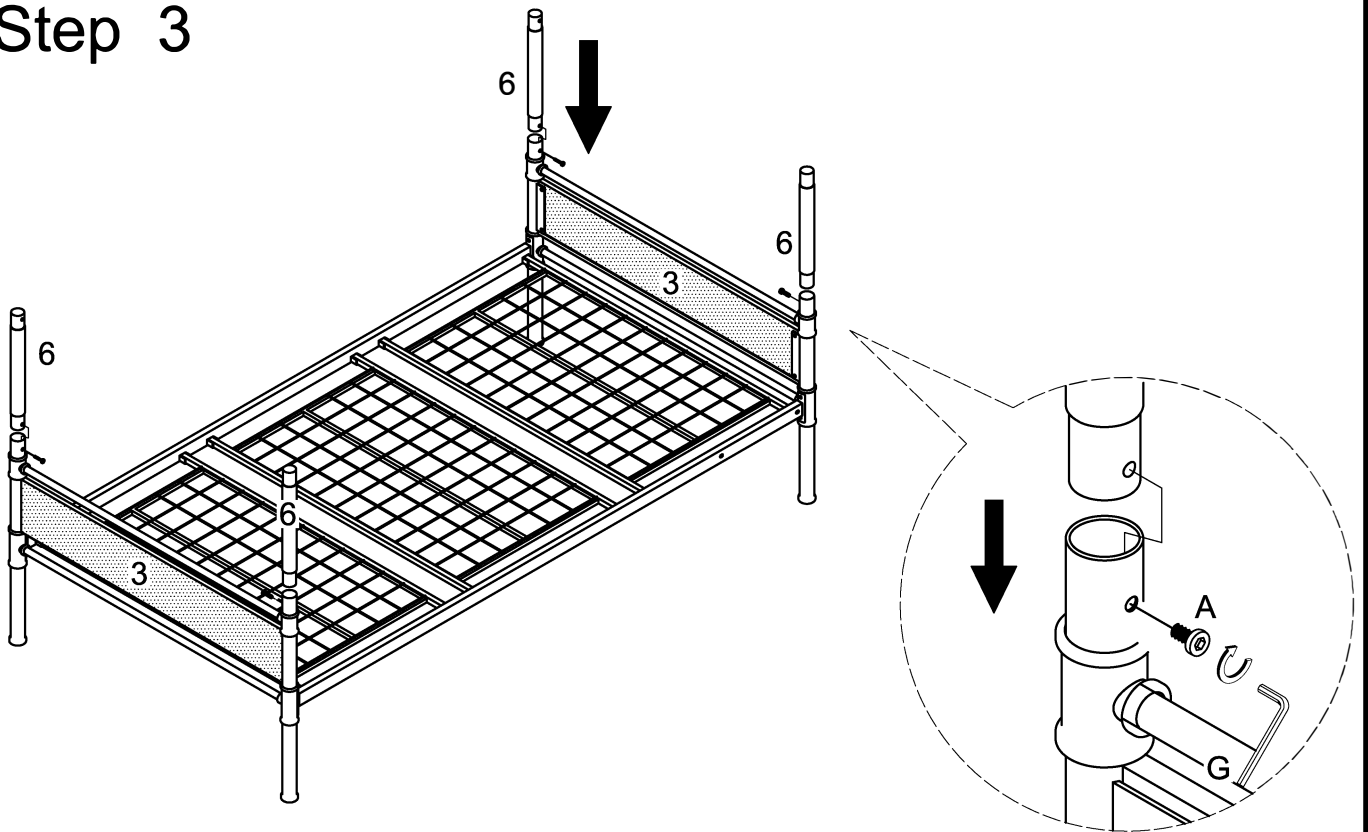
Secure parts together using the hardware as shown in the diagram. Tighten securely with wrench (G).

Step 2



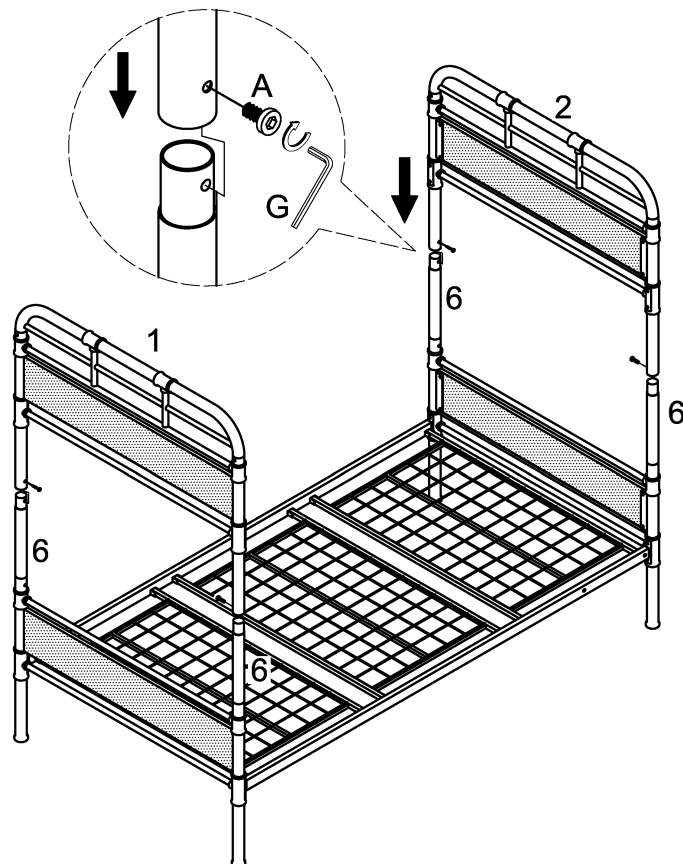
Secure bed supports (12) as shown in the diagram. Tighten securely with wrench (G).

Step 3



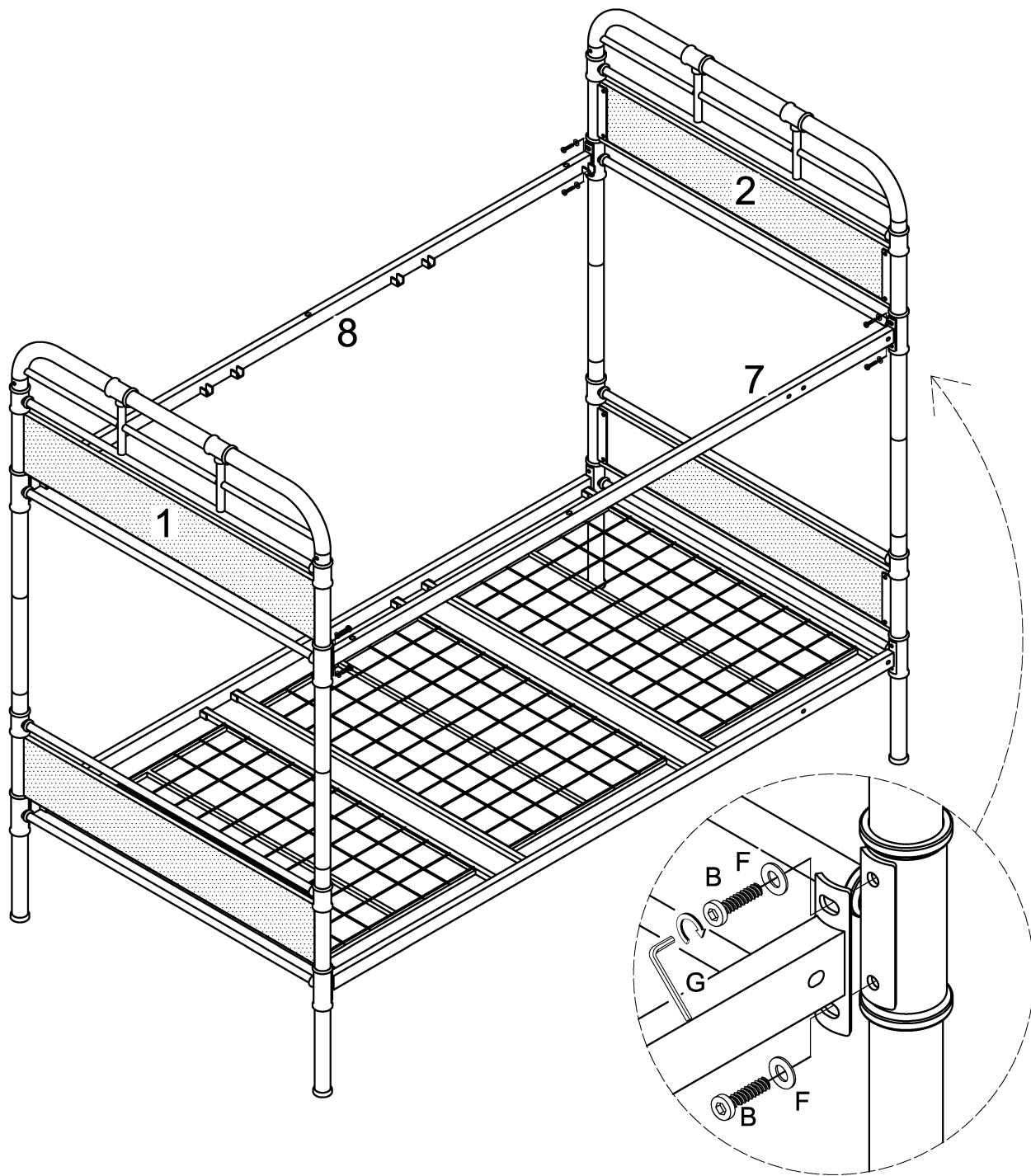
Place support legs (6) and secure with hardware as shown. Tighten securely with wrench (G).

Step 4



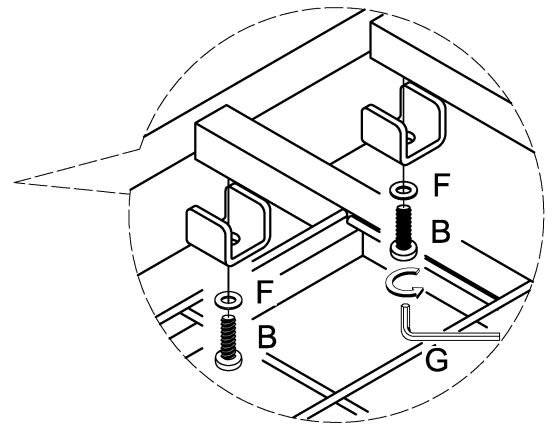
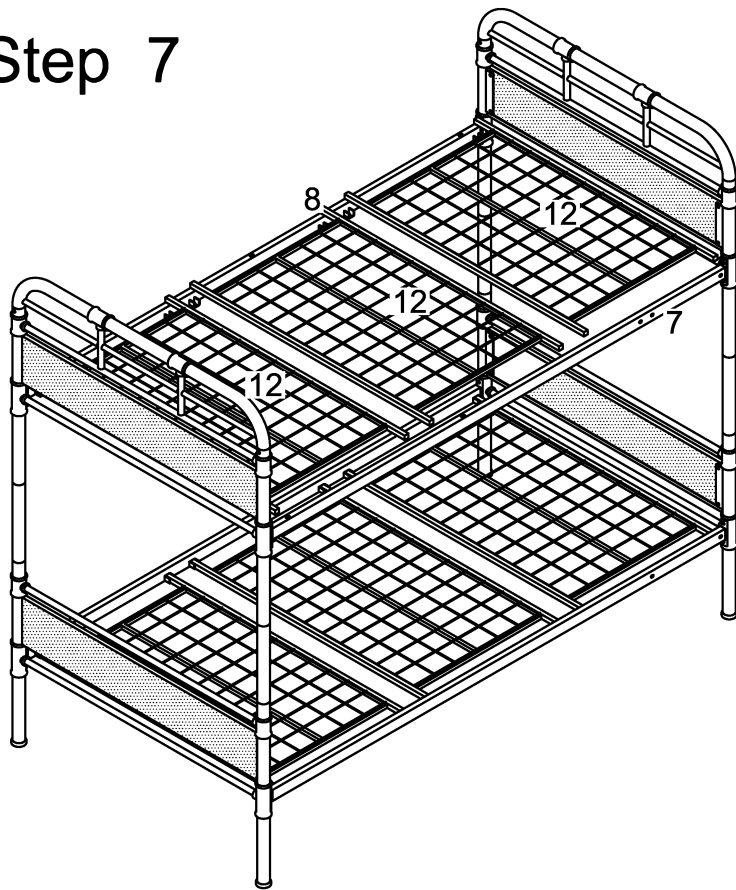
Place parts (1) and (2) and secure with hardware as shown. Tighten securely with wrench (G).

Step 5



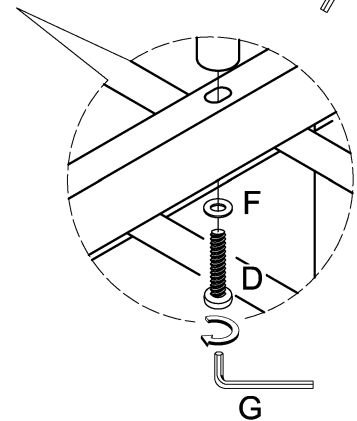
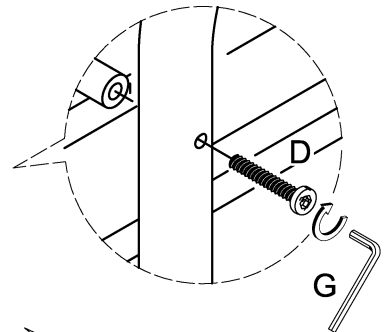
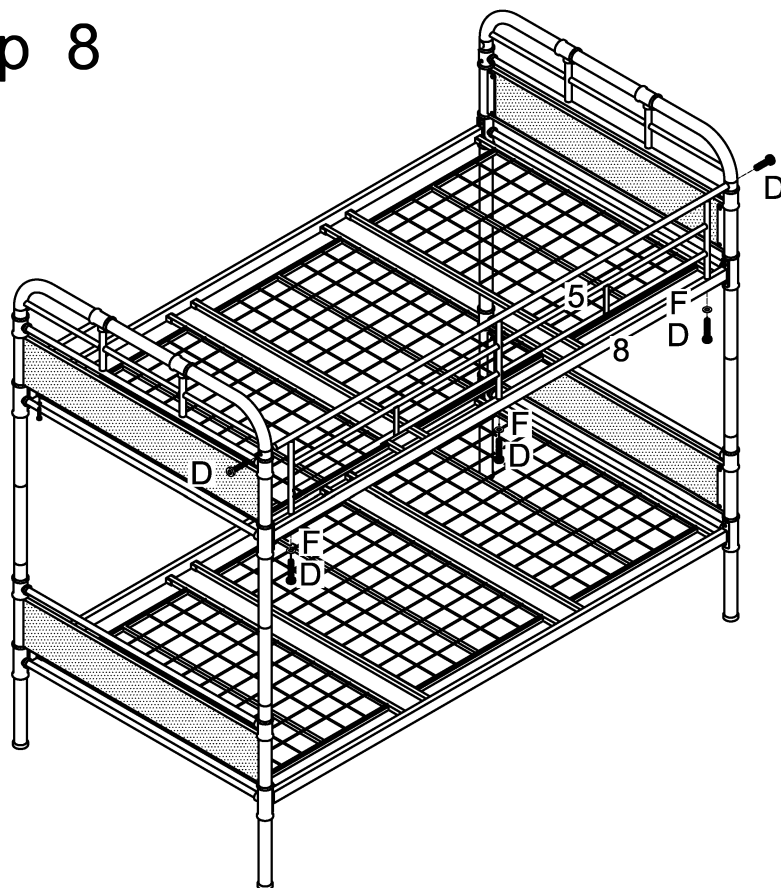
Secure parts together using the hardware as shown in the diagram. Tighten securely with wrench (G).

Step 7



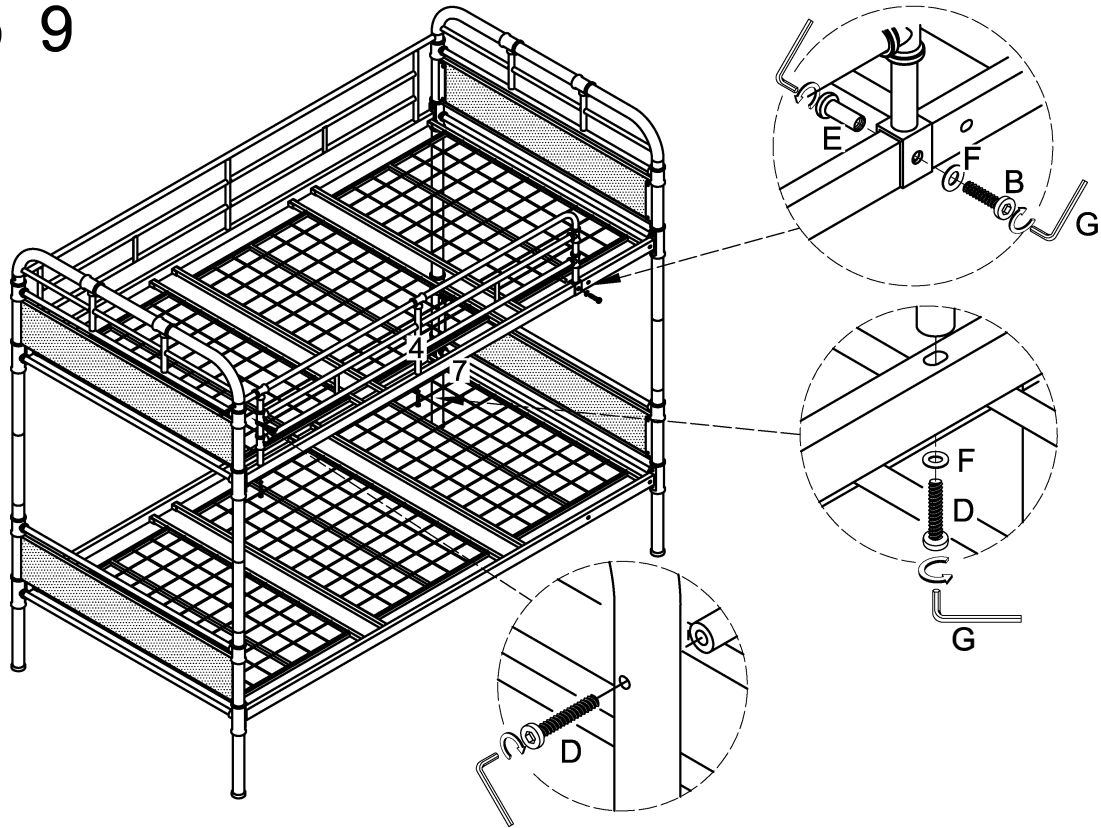
Secure bed supports (12) as shown in the diagram. Tighten securely with wrench (G).

Step 8



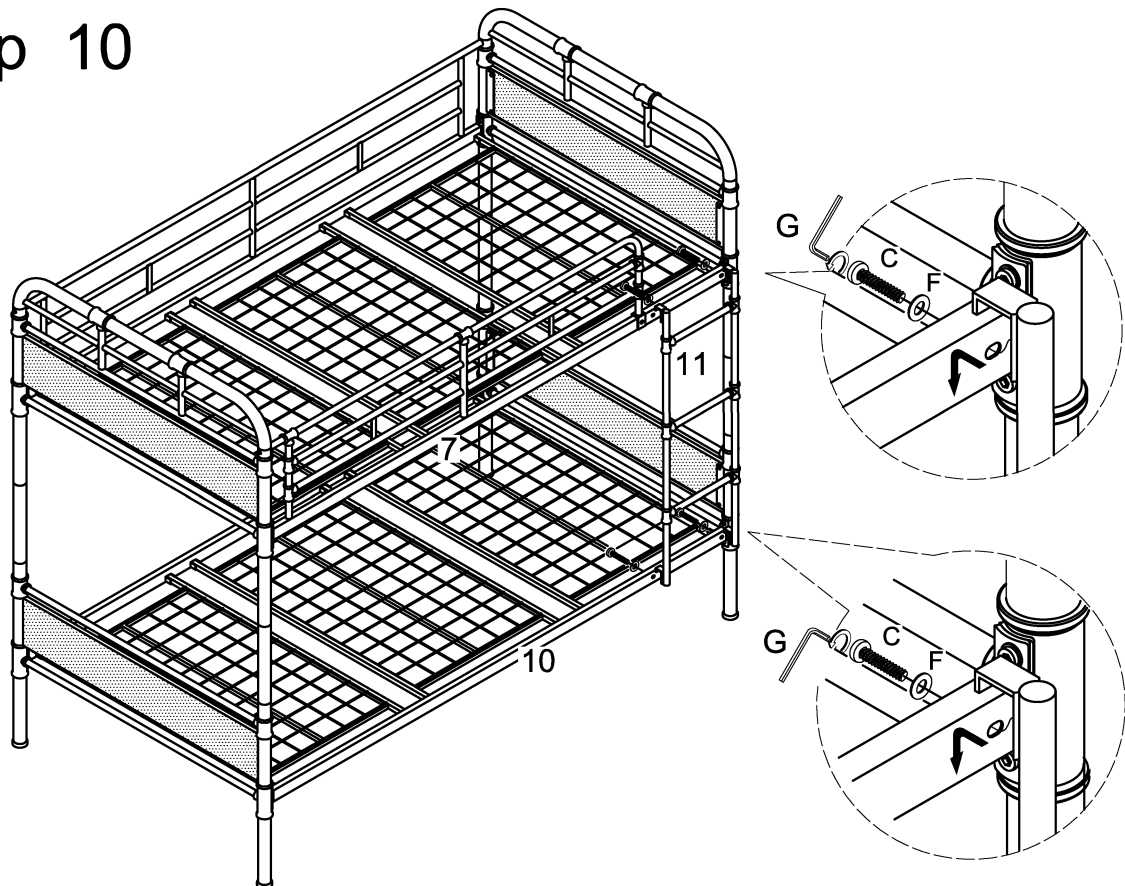
Secure parts together using the hardware as shown in the diagram. Tighten securely with wrench (G).

Step 9



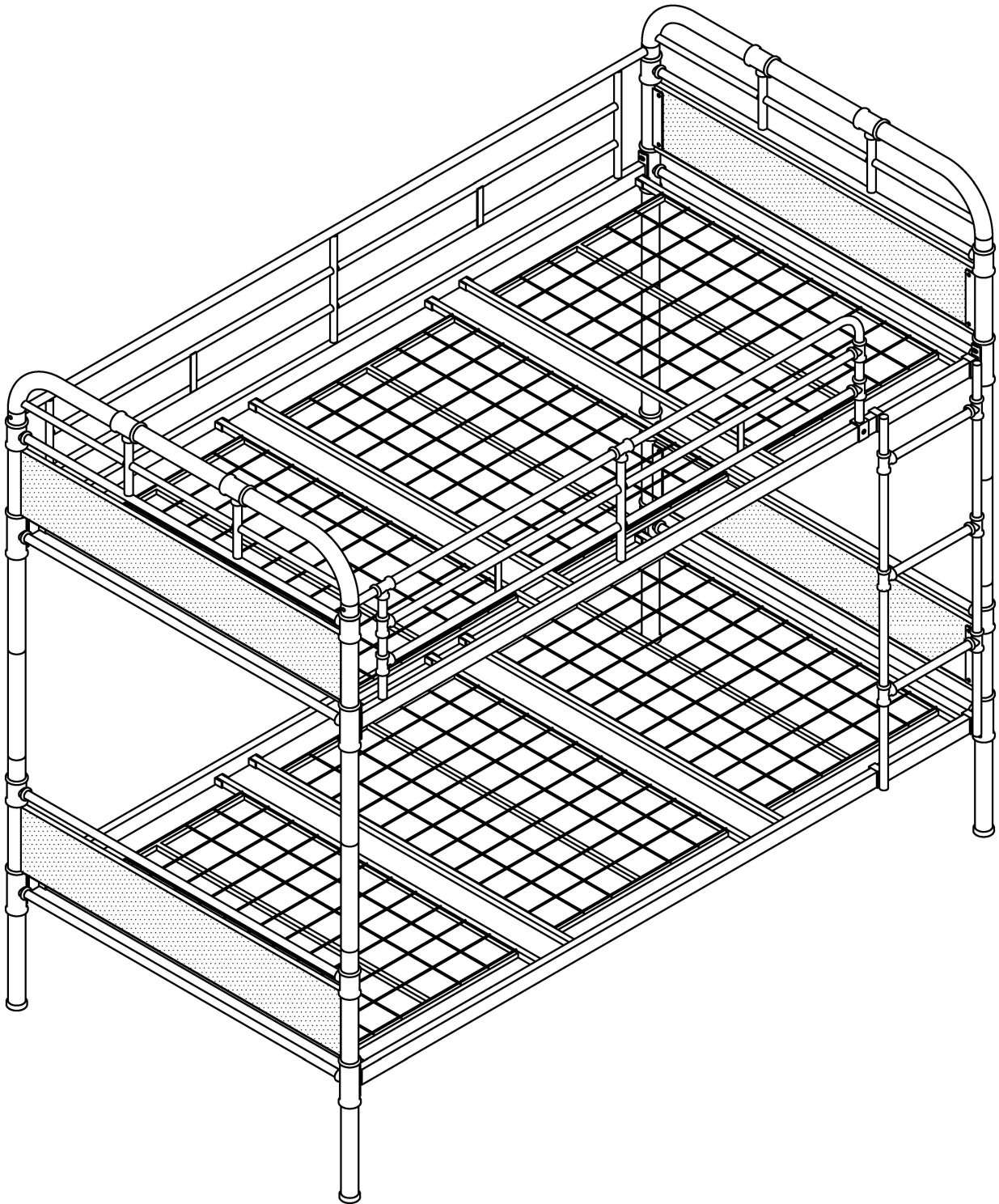
Secure parts together using the hardware as shown in the diagram. Tighten securely with wrench (G).

Step 10



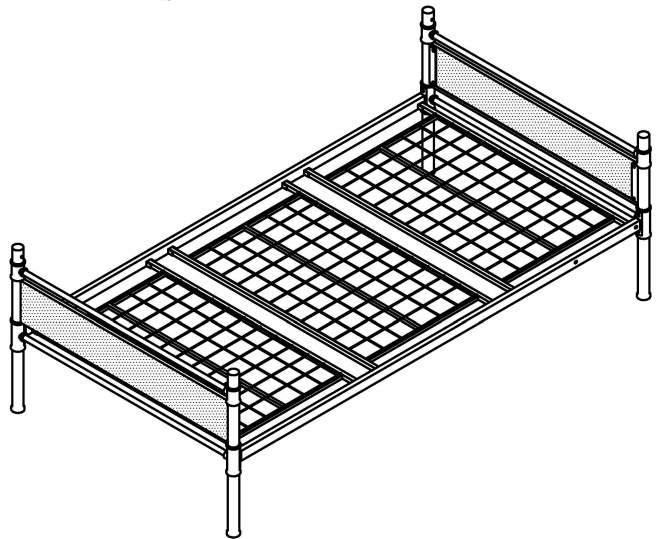
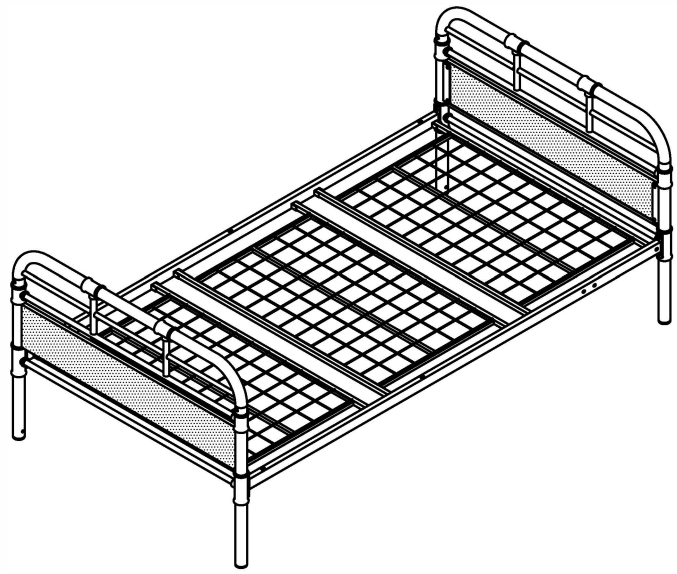
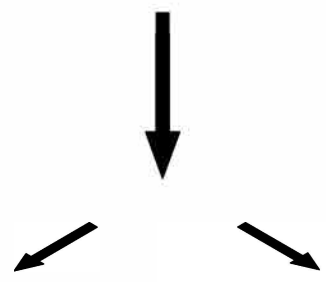
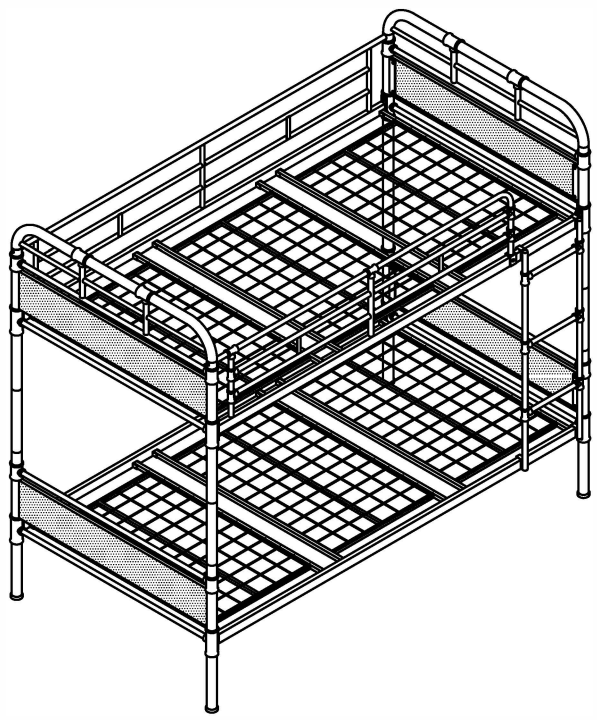
Secure parts together using the hardware as shown in the diagram. Tighten securely with wrench (G).

Step 11



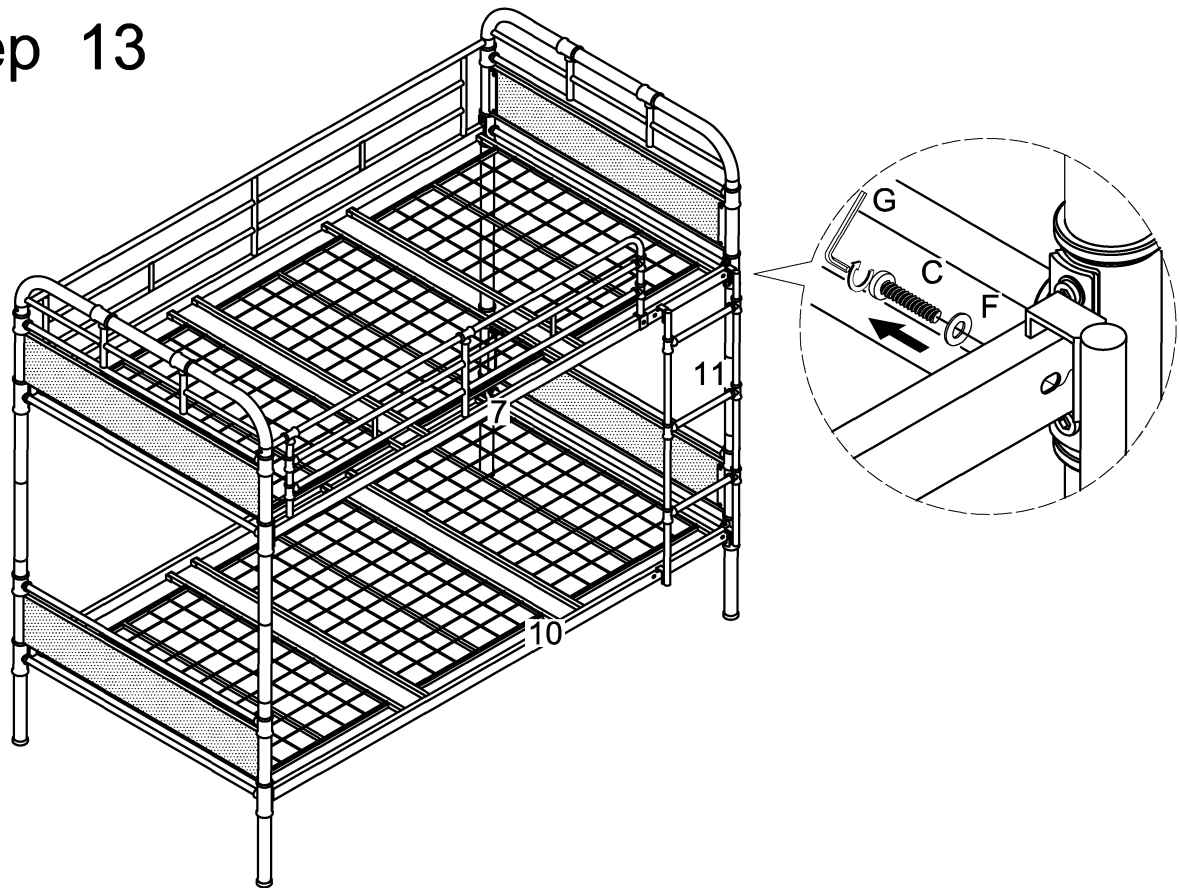
OPTION A Final

Step 12



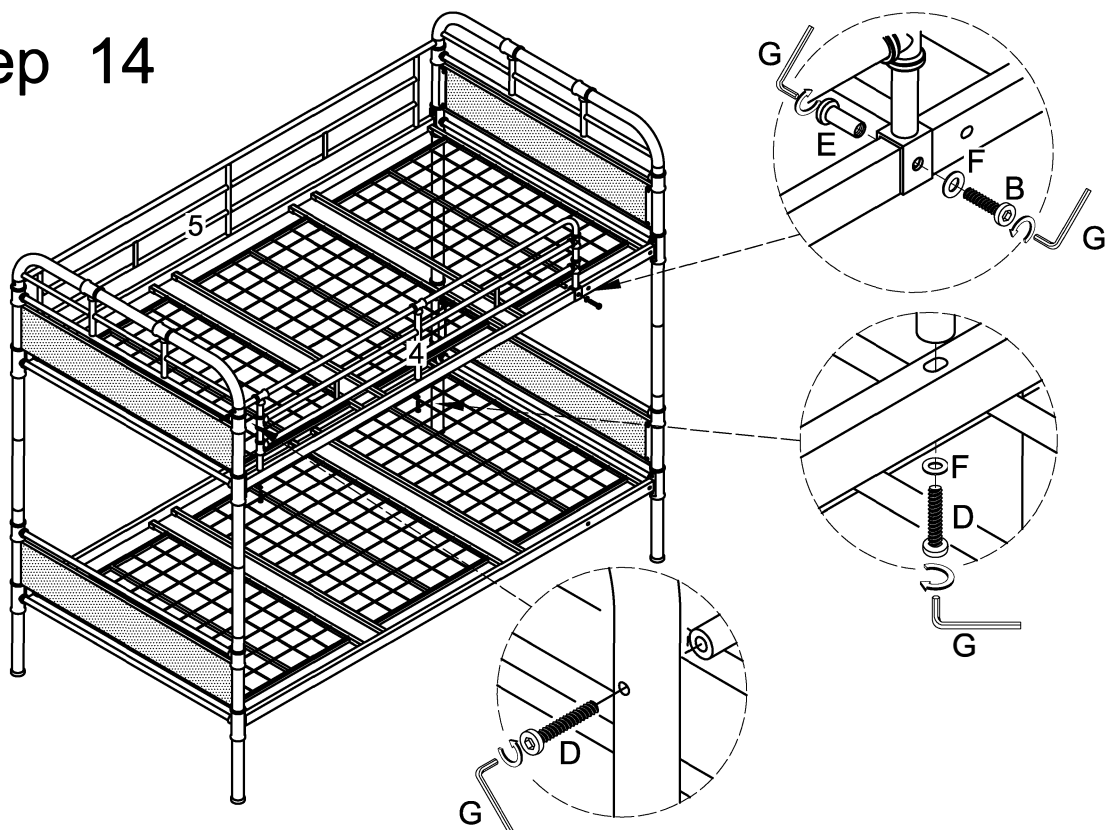
OPTION B

Step 13



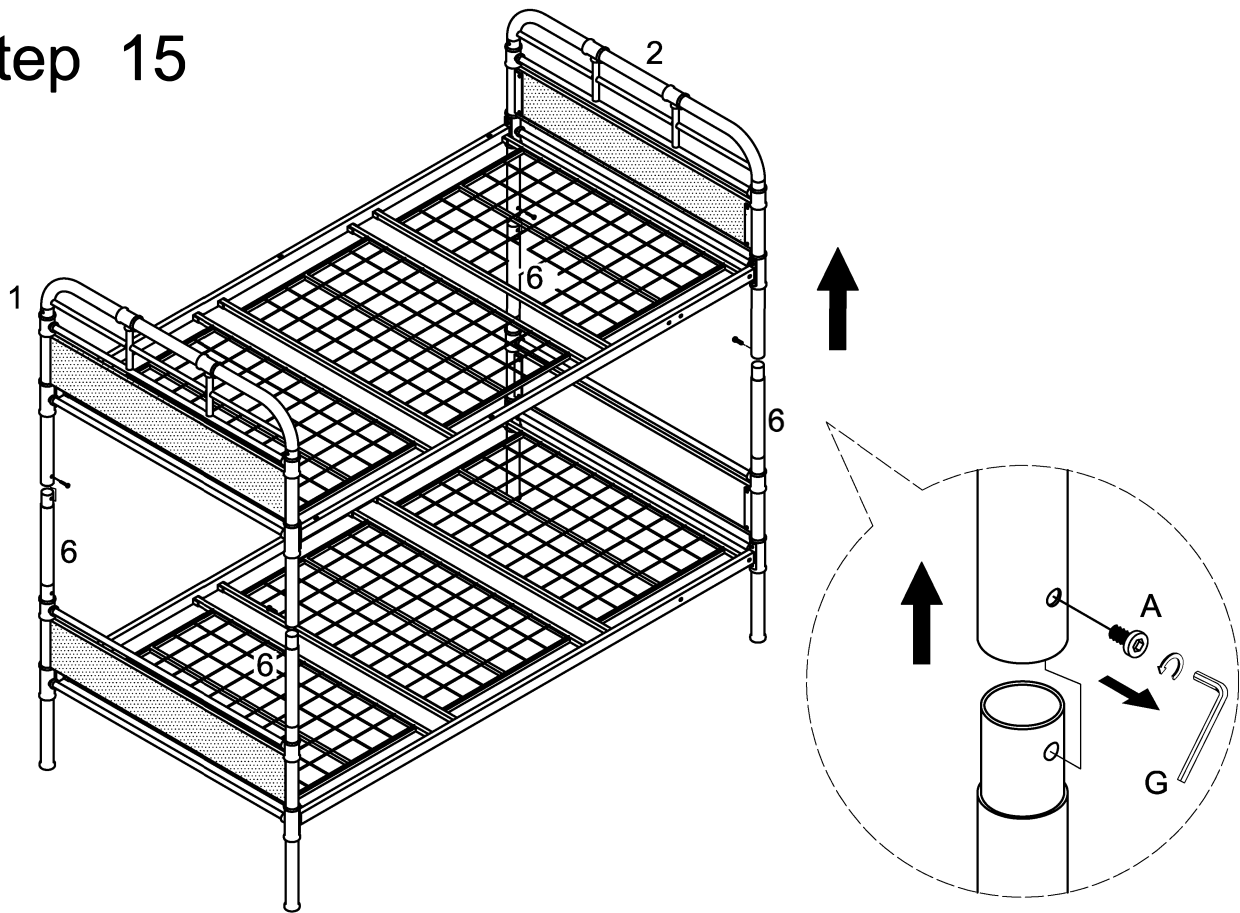
Loosen and remove the ladder (11) from the bed frame.

Step 14



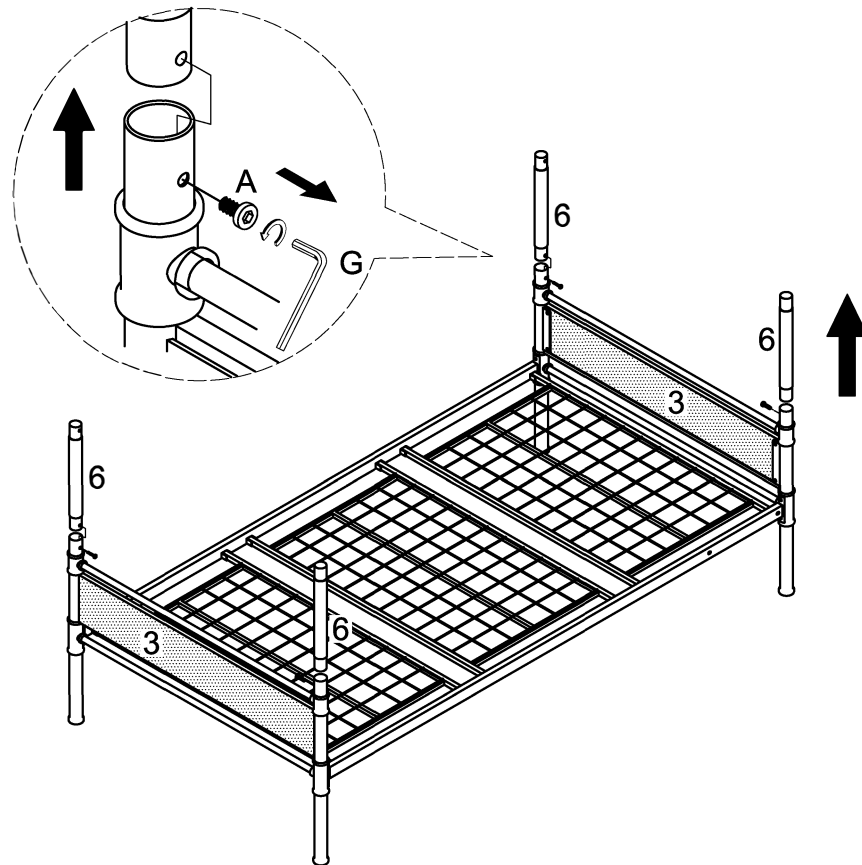
Loosen and remove the open guardrail (4,5) from the bed frame.

Step 15



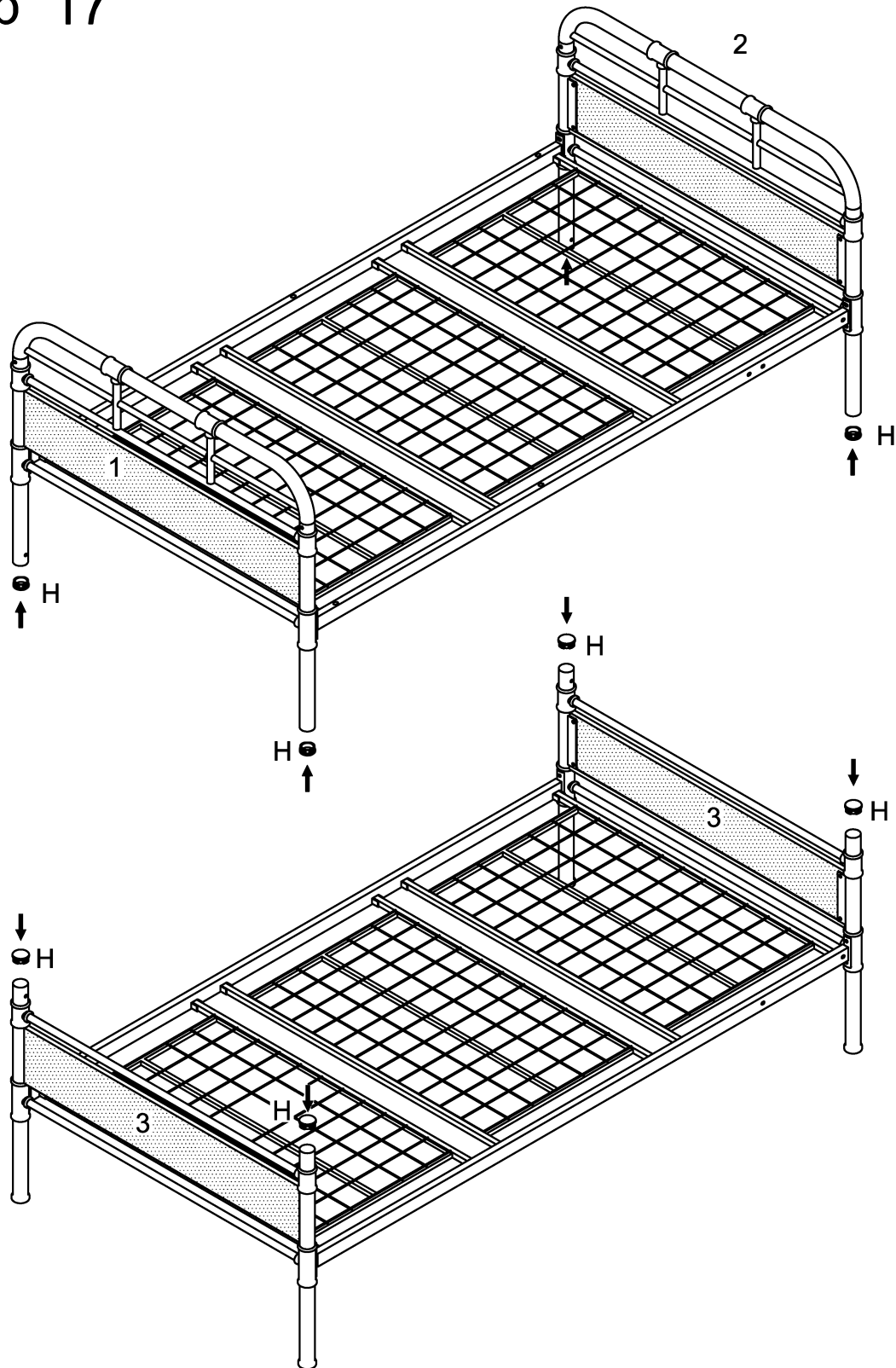
Loosen bolts where upper bunk connects with lower bunk.

Step 16



Lift and separate the bunks and the support posts (6).

Step 17



Attach plastic end caps (13) as shown in the illustration.

OPTION B Final