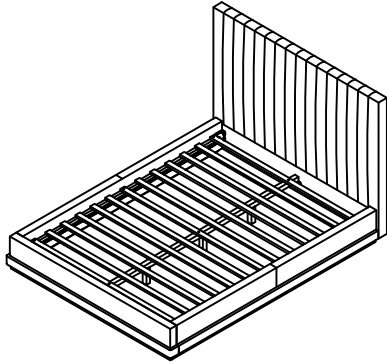


ASSEMBLY INSTRUCTIONS

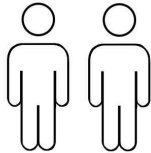
QUEEN



+ Do Not Use Power Tools



+ Suggested Adults



NOTE:

- 1 Read instructions cover to cover.
- 2 Save all packaging until assembly is completed.

1 IMPORTANT SAFETY INFORMATION

Do not assemble the product if any of the following parts arrived damaged:

- Part 3 - Side Rails (L)
- Part 4 - Side Rails (R)
- Part 5 - Center Support Bar
- Part 6 - Support Legs
- Part 7 - Slats

2 IMPORTANT ASSEMBLY INFORMATION

Assembly Step Ensure the side rail bracket is fully hooked onto bolt loosely threaded with both washers on the **OUTSIDE** of the bracket first, then proceed to fully tightening all 4 corners.

+ Parts Included

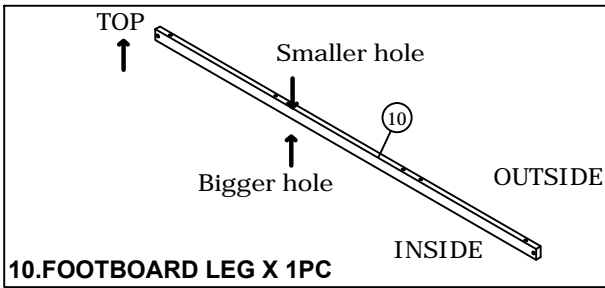
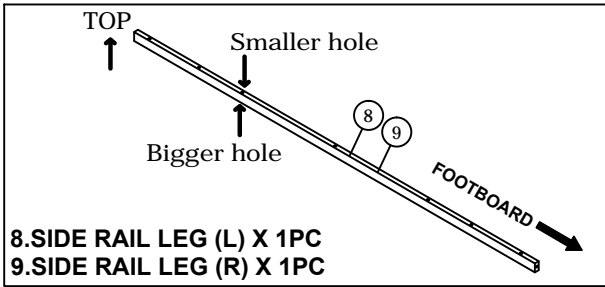
- | | |
|--------------------------------|-------------------------------|
| ① HEADBOARD
(1 PC) | ② FOOTBOARD
(1 PC) |
| ③ SIDE RAIL (L)
(1 PC) | ④ SIDE RAIL (R)
(1 PC) |
| ⑤ CENTER SUPPORT BAR
(1 PC) | ⑥ SUPPORT LEGS
(3 PCS) |
| ⑦ SLATS
(1 SET) | ⑧ SIDE RAIL LEG (L)
(1 PC) |
| ⑨ SIDE RAIL LEG (R)
(1 PC) | ⑩ FOOTBOARD LEG
(1 PC) |

+ Hardware Included

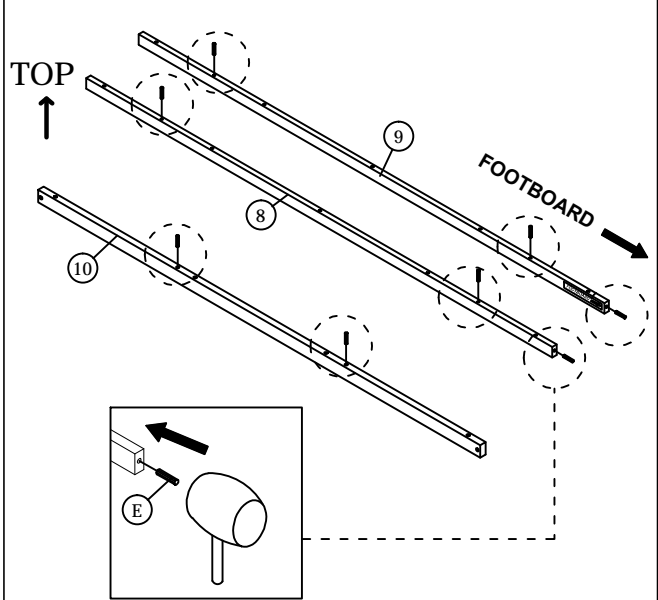
- | | | |
|--------------------------------|-------------------------------|-------------------------------|
| A M6 x 40mm
(14 PCS) | B M8 x 30mm
(8 PCS) | C M4 x 38mm
(9 PCS) |
| D M4 x 20mm
(2 PCS) | E M8 x 30mm
(8 PCS) | F M4
(1 PC) |
| G M5
(1 PC) | | |

ASSEMBLY INSTRUCTIONS

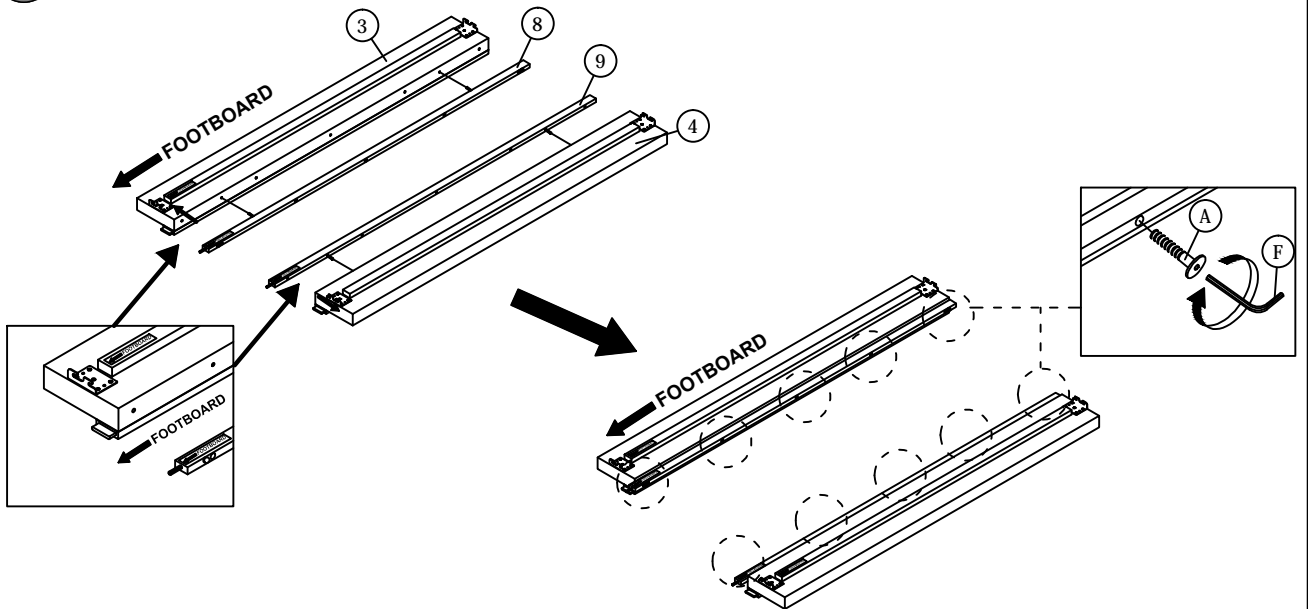
1



2

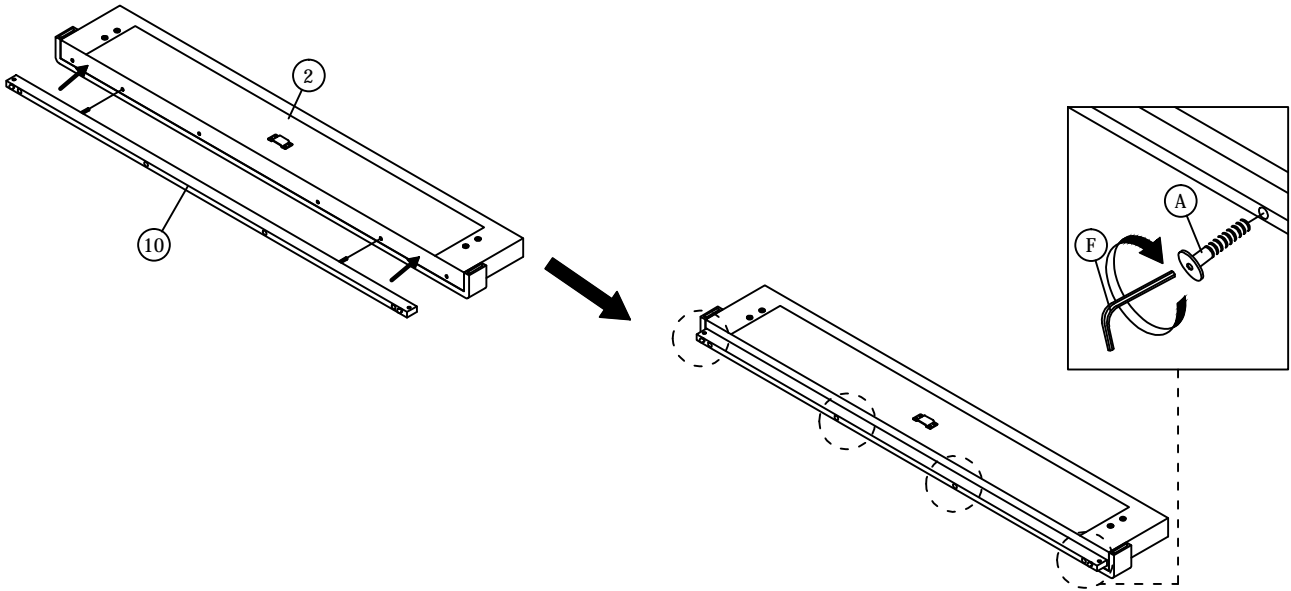


3



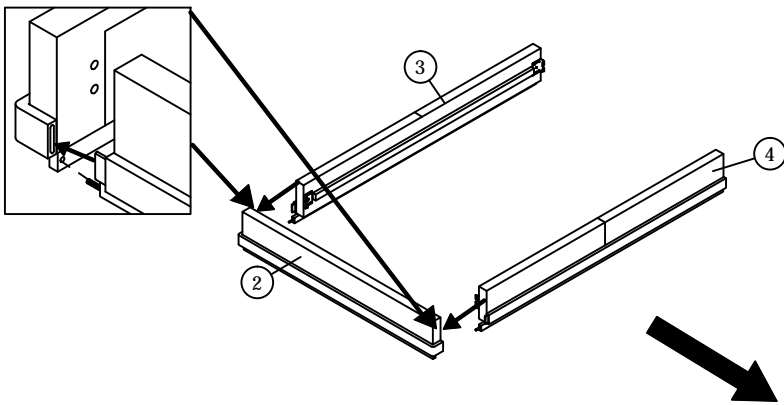
ASSEMBLY INSTRUCTIONS

4

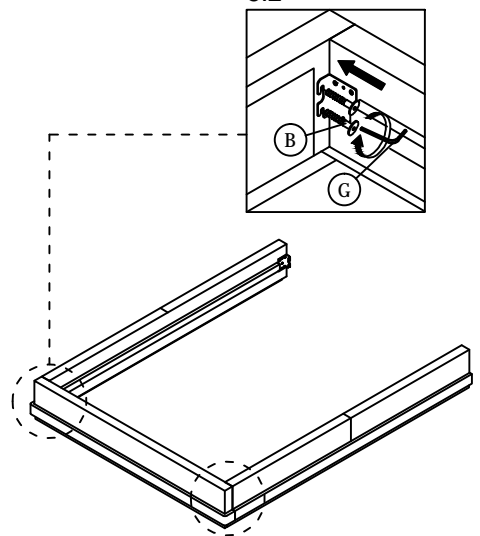


5

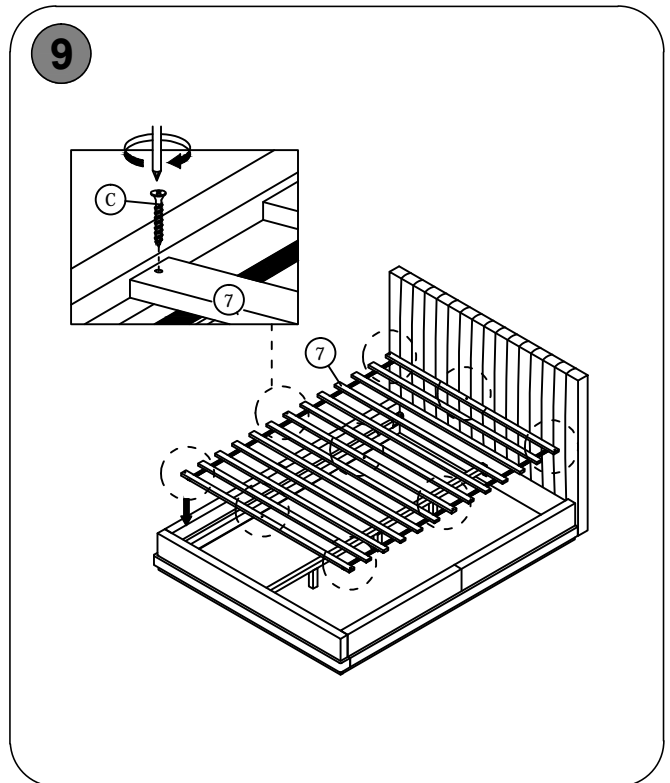
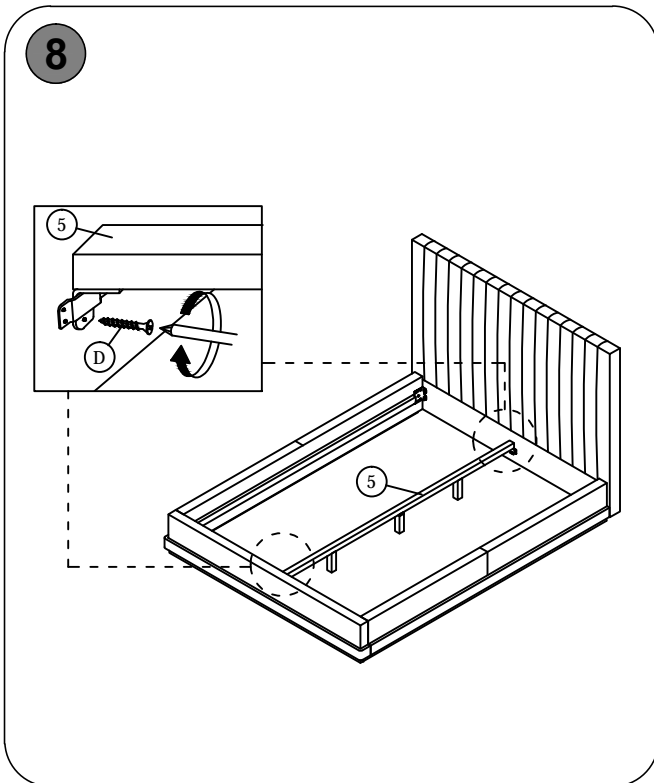
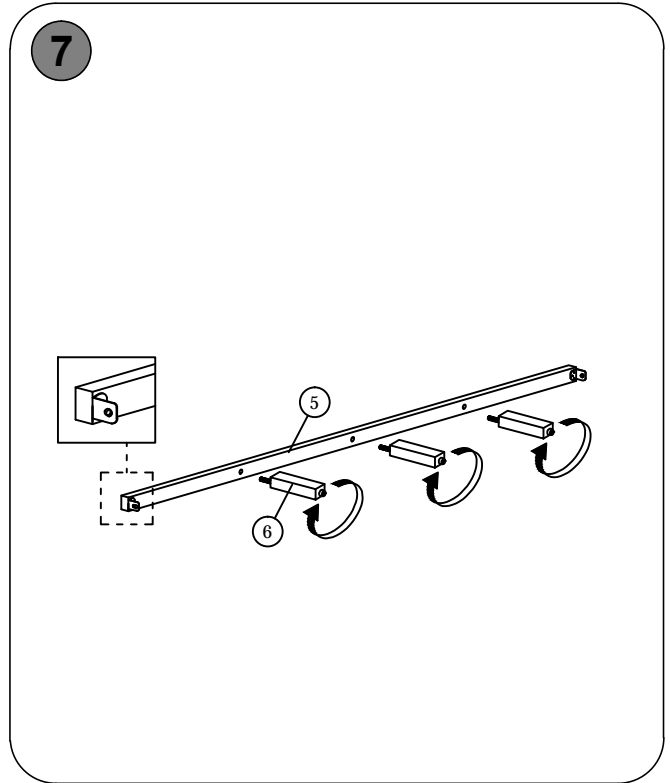
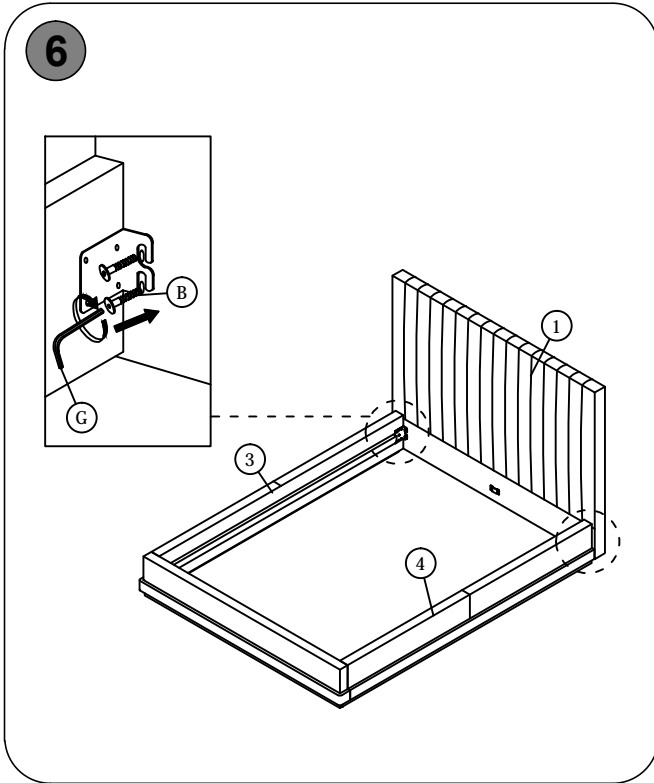
5.1



5.2



ASSEMBLY INSTRUCTIONS



ASSEMBLY INSTRUCTIONS

10

