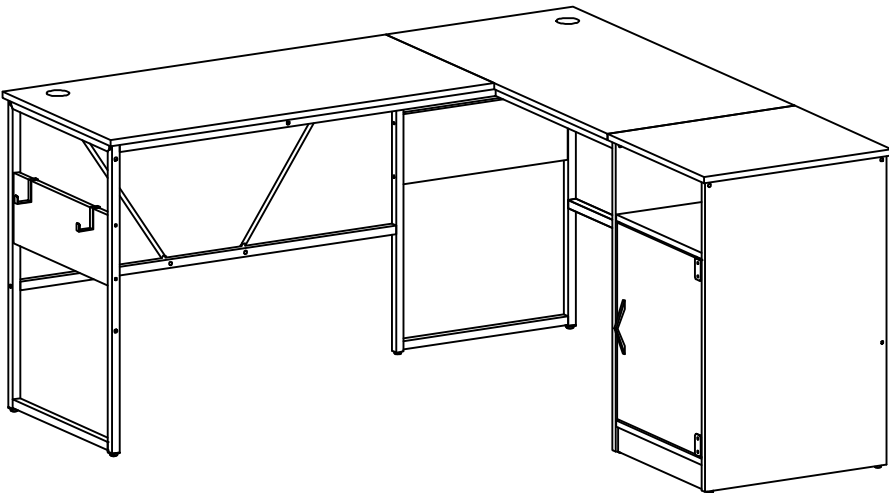

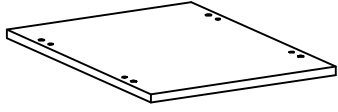
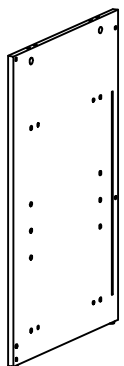
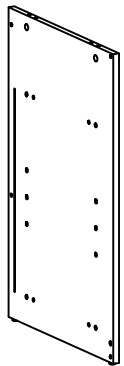
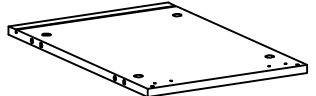
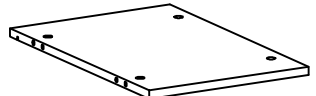

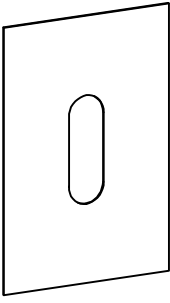
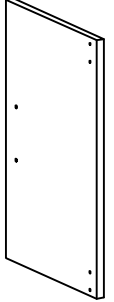
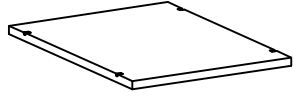
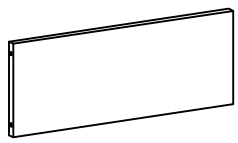
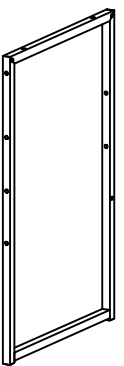


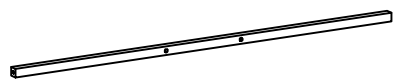

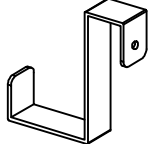


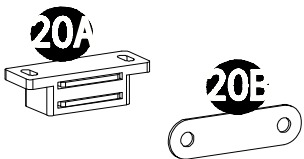
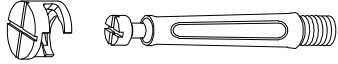

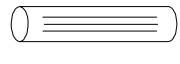









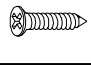

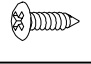

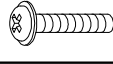
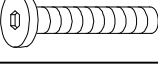
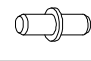
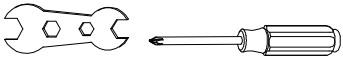


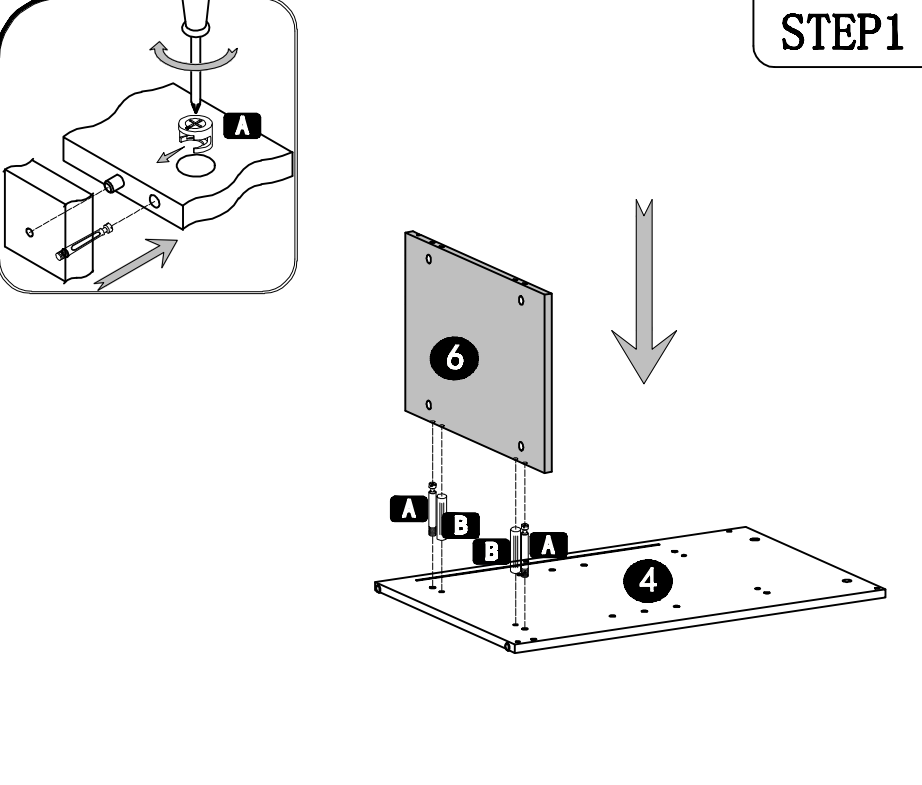

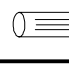
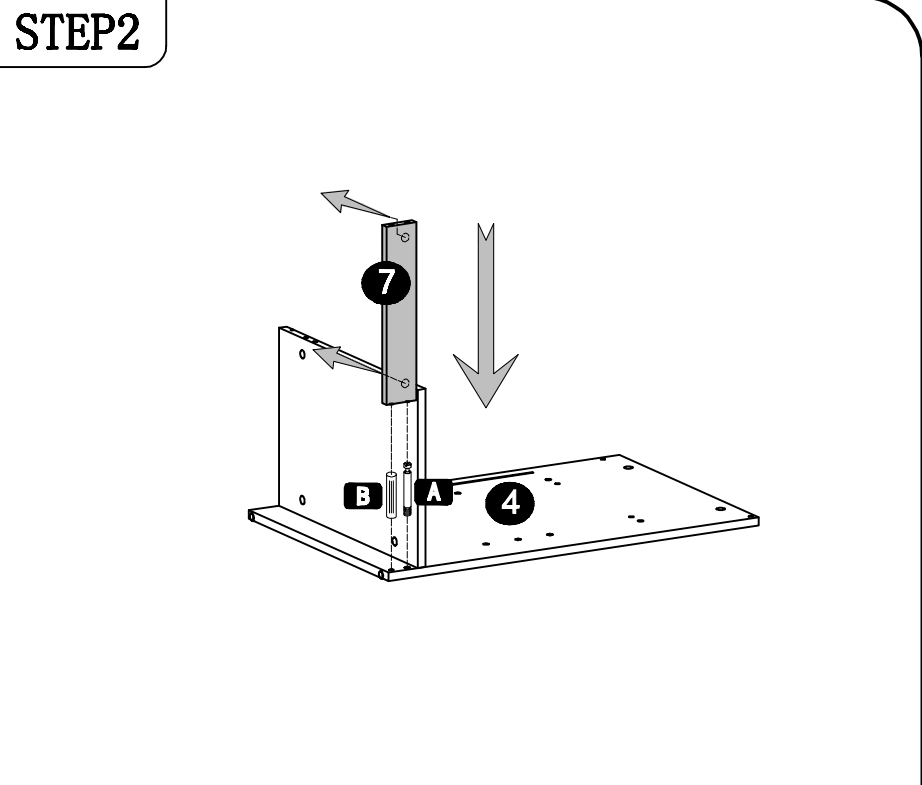

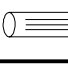
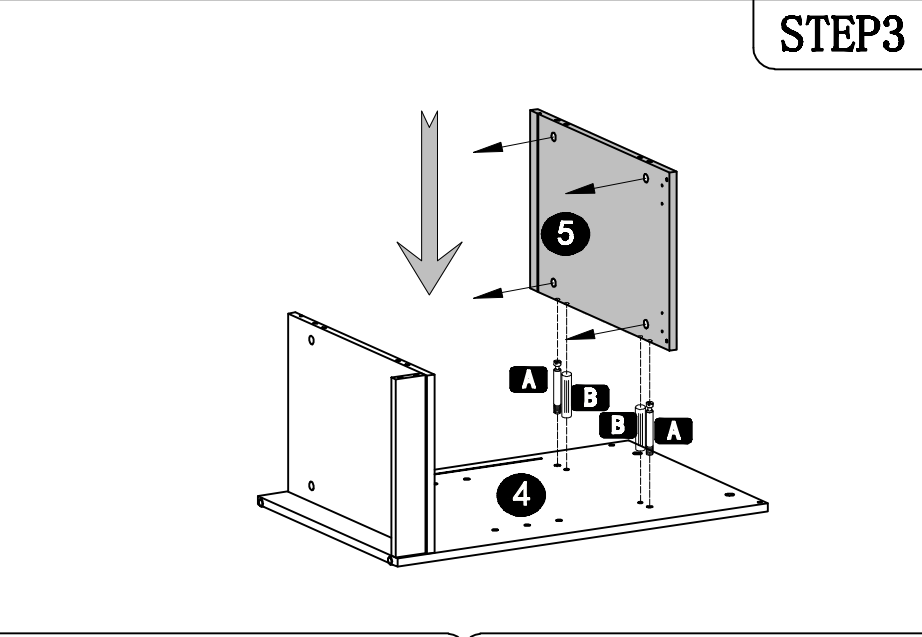

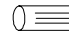
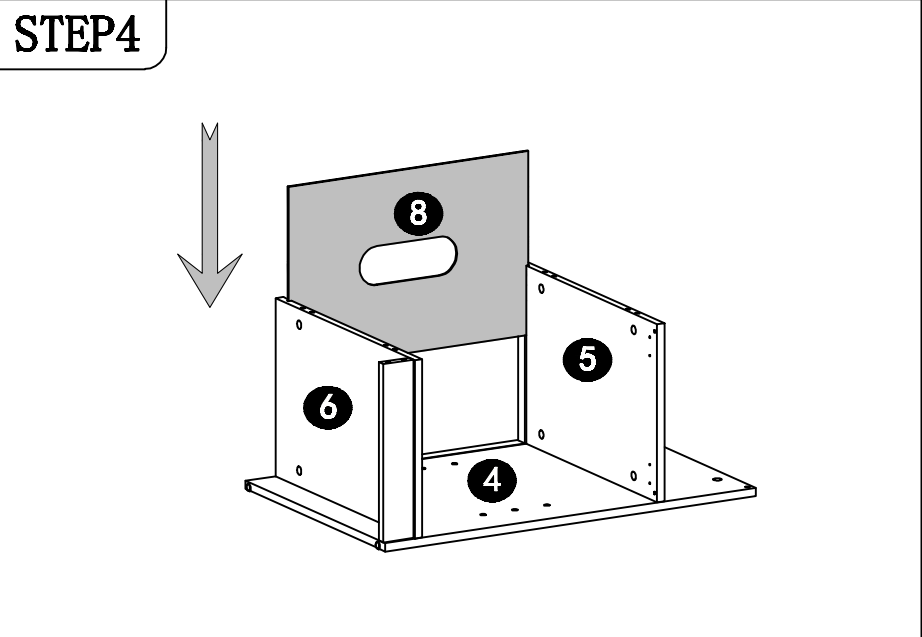
ASSEMBLY INSTRUCTION

	1  2PCS	2  1PC	
	3  1PC	4  1PC	
5  1PC	6  1PC	7  1PC	8  1PC
9  1PC	10  1PC	11  2PCS	12  2PCS
13  2PCS	14  2PCS	15  2PCS	16  4PCS
17  2PCS	18  2PCS	19  1PC	20  1SET



ASSEMBLY INSTRUCTION

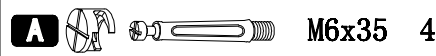
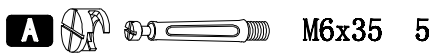
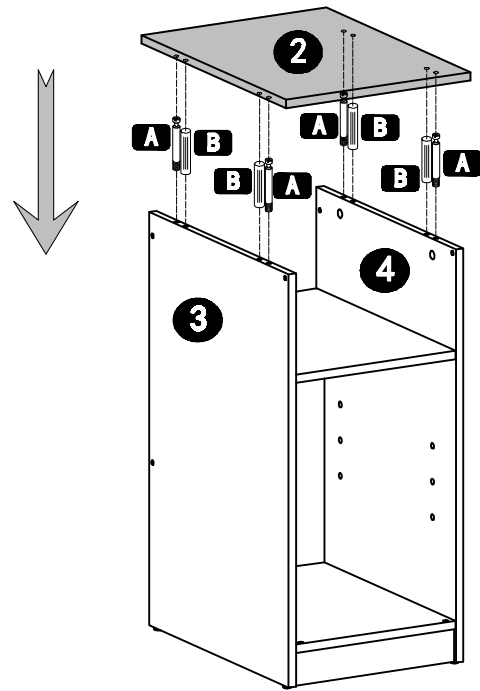
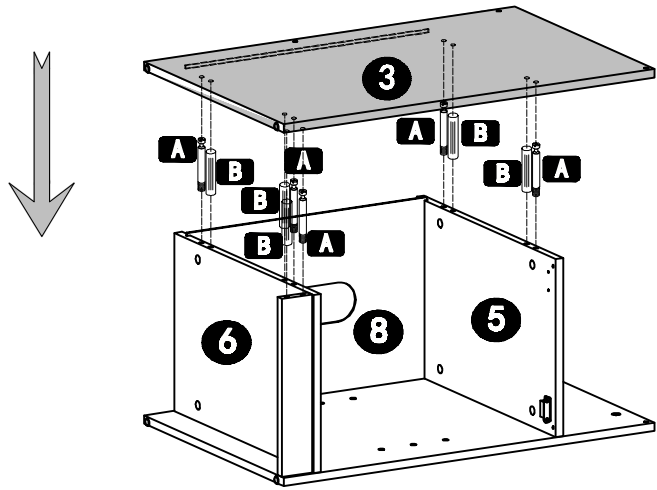
No.	PICTURE	SIZE	QTY	No.	PICTURE	SIZE	QTY
A		M6x35	14+1	K		φ22	4+1
B		φ8x30	14+1	L			4+1
C		ST7x50	8+1	M			4
D		M6x35	8+1	N			1
E		M6x30	23+1	O			1
F		M6	10+1	P			1
G		ST3x14	12+1	Q			2
H		ST4x12	4+1	R		φ8	6+2
I		M4x18	2	S		M6x25	2
J		φ5x17	4+1			M4	1

STEP1		STEP2	
			
A	 M6x35 2	B	 φ8x30 2
			
A	 M6x35 1	B	 φ8x30 1
STEP3		STEP4	
			
A	 M6x35 2	B	 φ8x30 2
			

ASSEMBLY INSTRUCTION

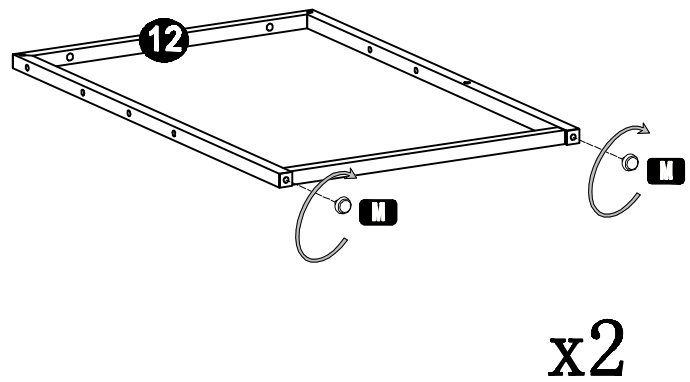
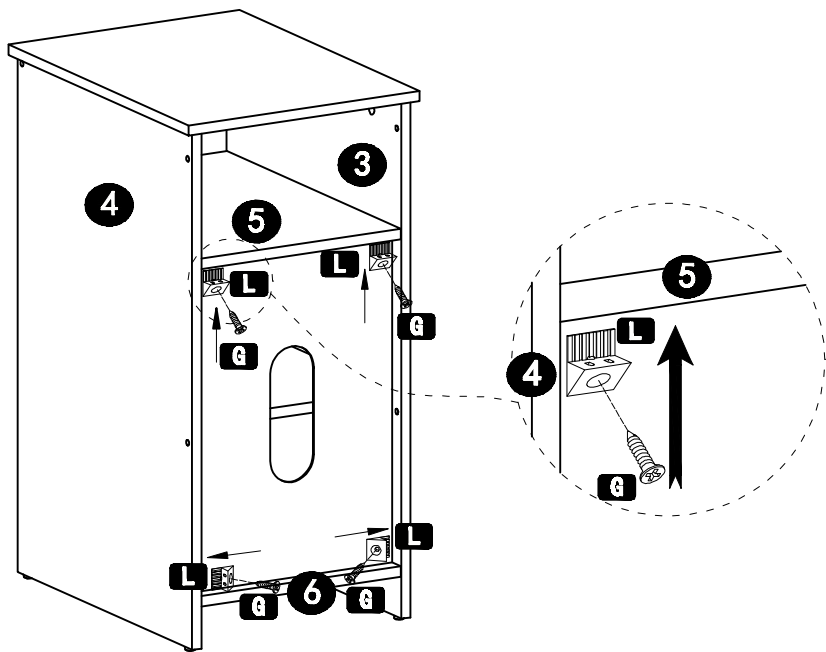
STEP5

STEP6



STEP7

STEP8

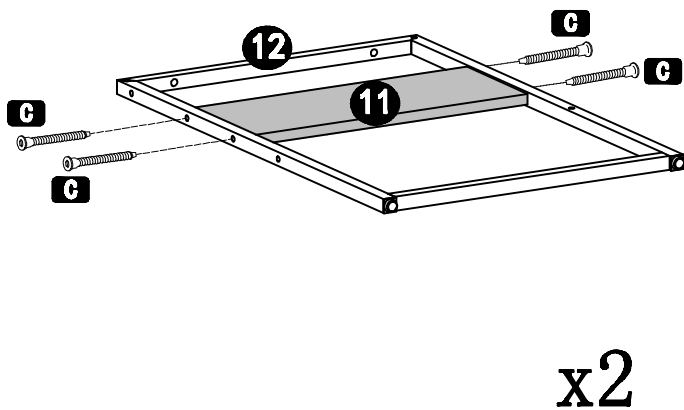


x2

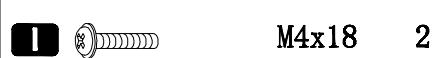
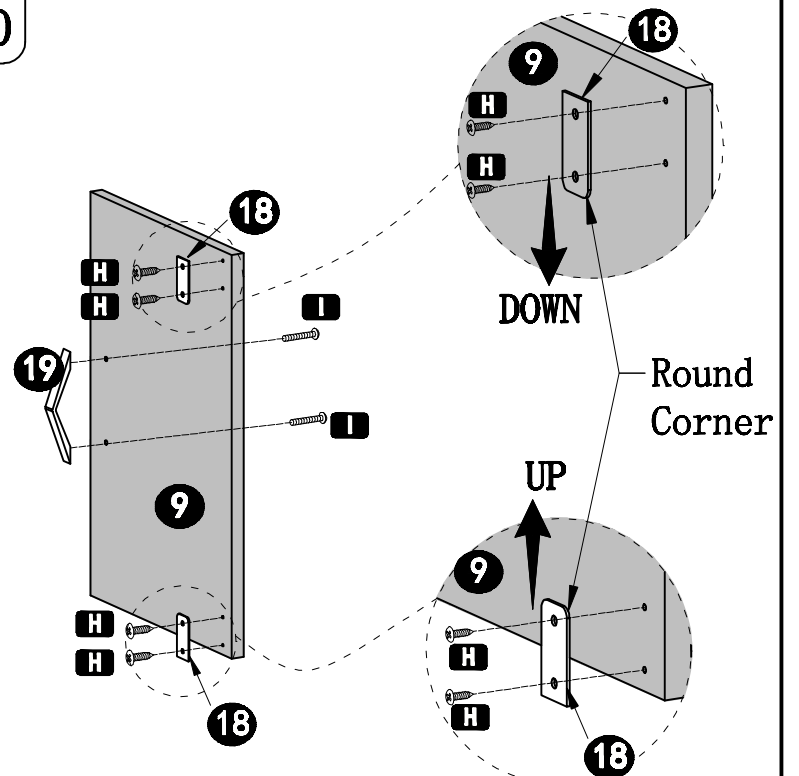


STEP9

STEP10








x2



ASSEMBLY INSTRUCTION




STEP 11 **STEP 12A**

A

20A 	1	G 	ST3x14	2	P 	1	20B 	1
		G 	ST3x14	4				

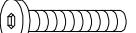
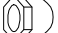
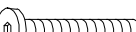
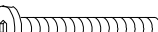


STEP 13 **STEP 14A**

A

N 	1	G 	ST3x14	2	J 	Ø5x17	4
--	---	--	--------	---	--	-------	---

STEP 15 **STEP 16A**

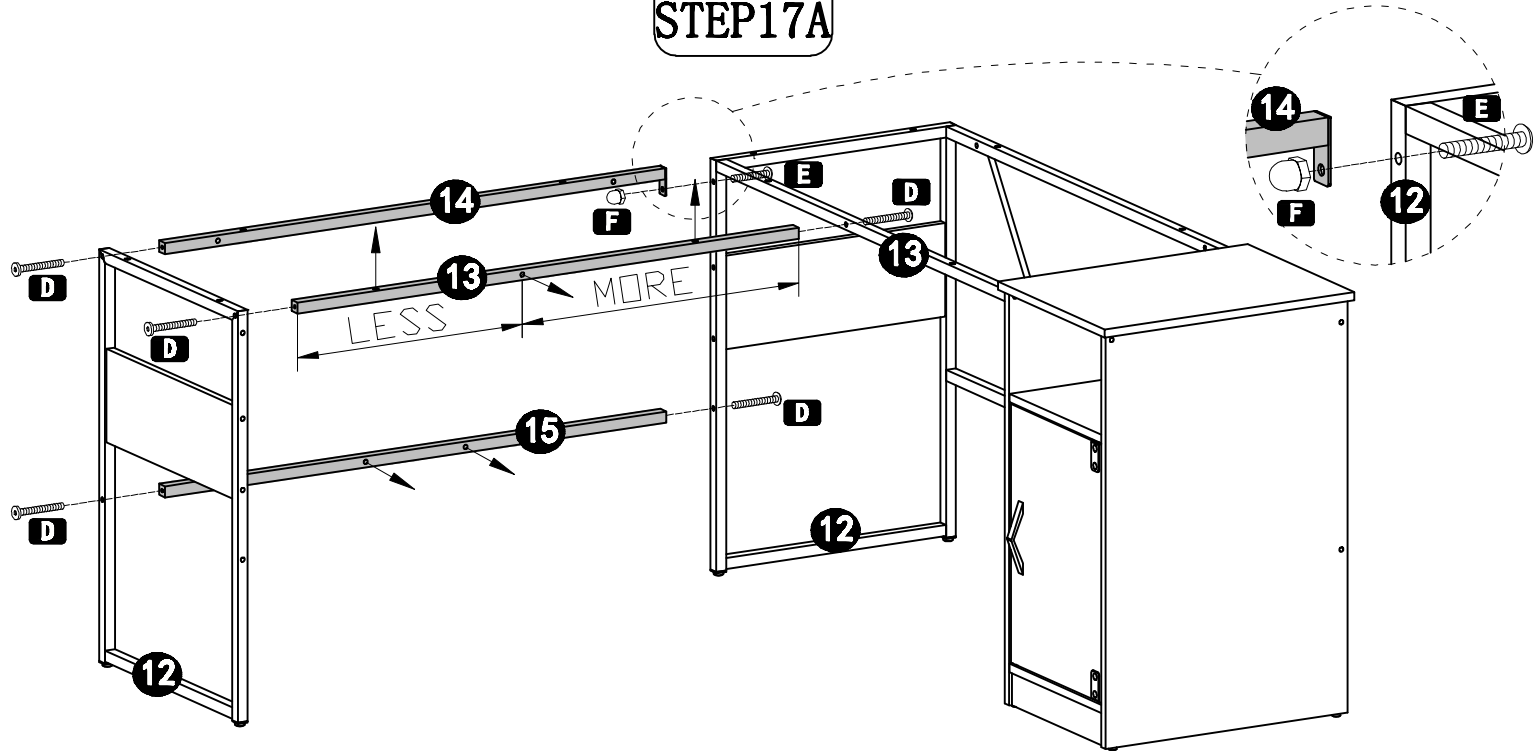
A

S 	M6x25	1	F 	M6	1
E 	M6x30	2	D 	M6x35	3
			E 	M6x30	4
			F 	M6	4

ASSEMBLY INSTRUCTION

STEP 17A

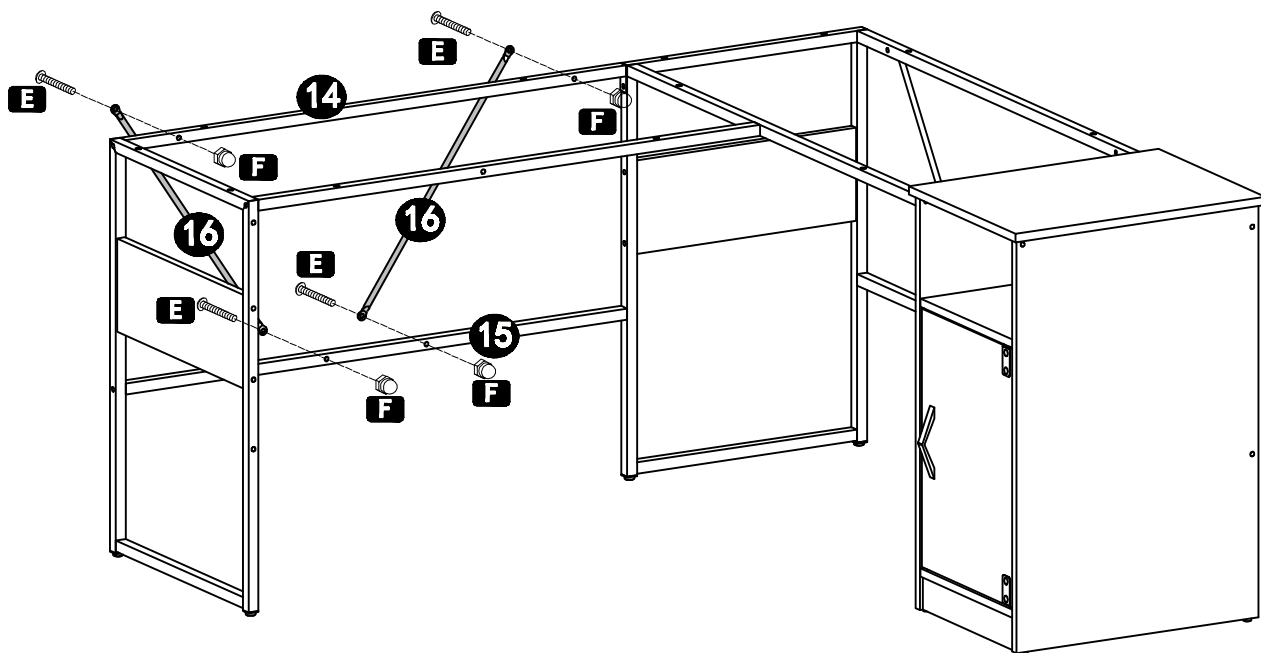
A



F 	M6	1	E 	M6x30	1	D 	M6x35	5
--	----	---	--	-------	---	--	-------	---

STEP 18A

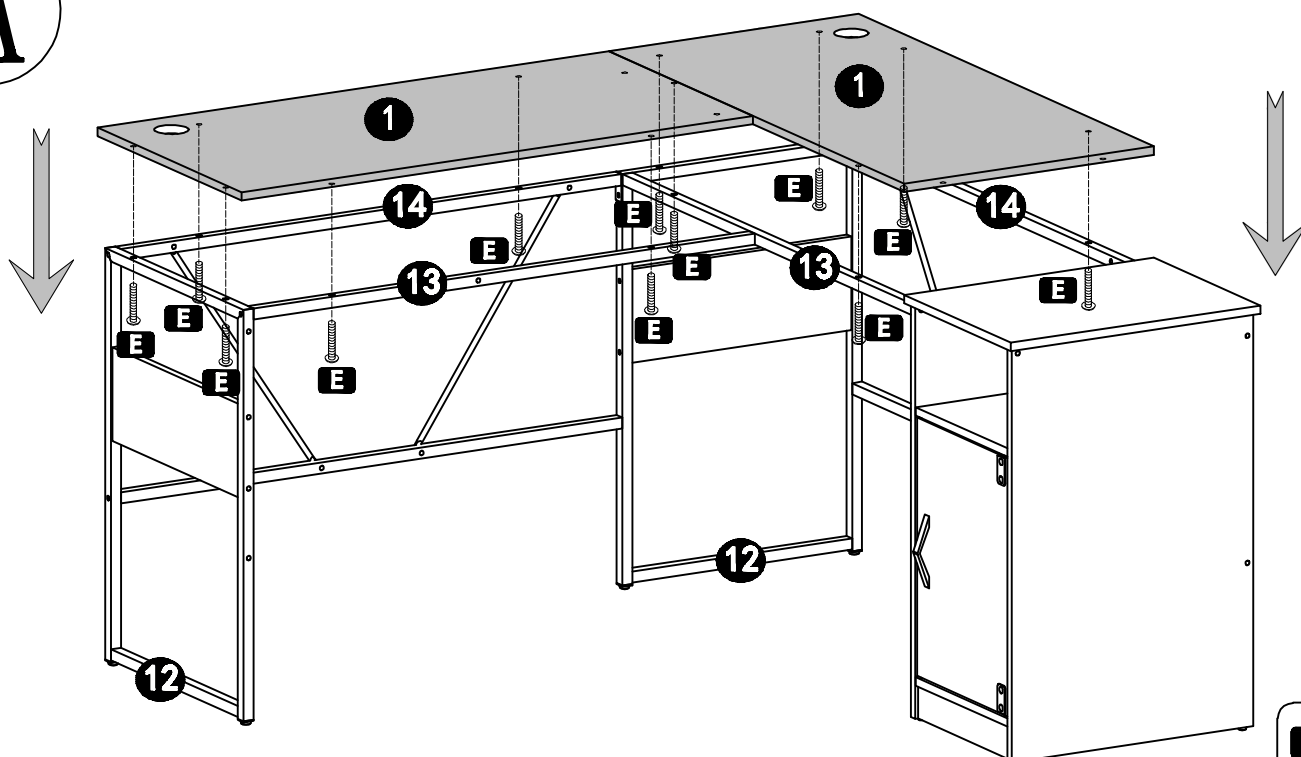
A

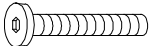


E 	M6x30	4	F 	M6	4
--	-------	---	--	----	---

STEP 19A

A

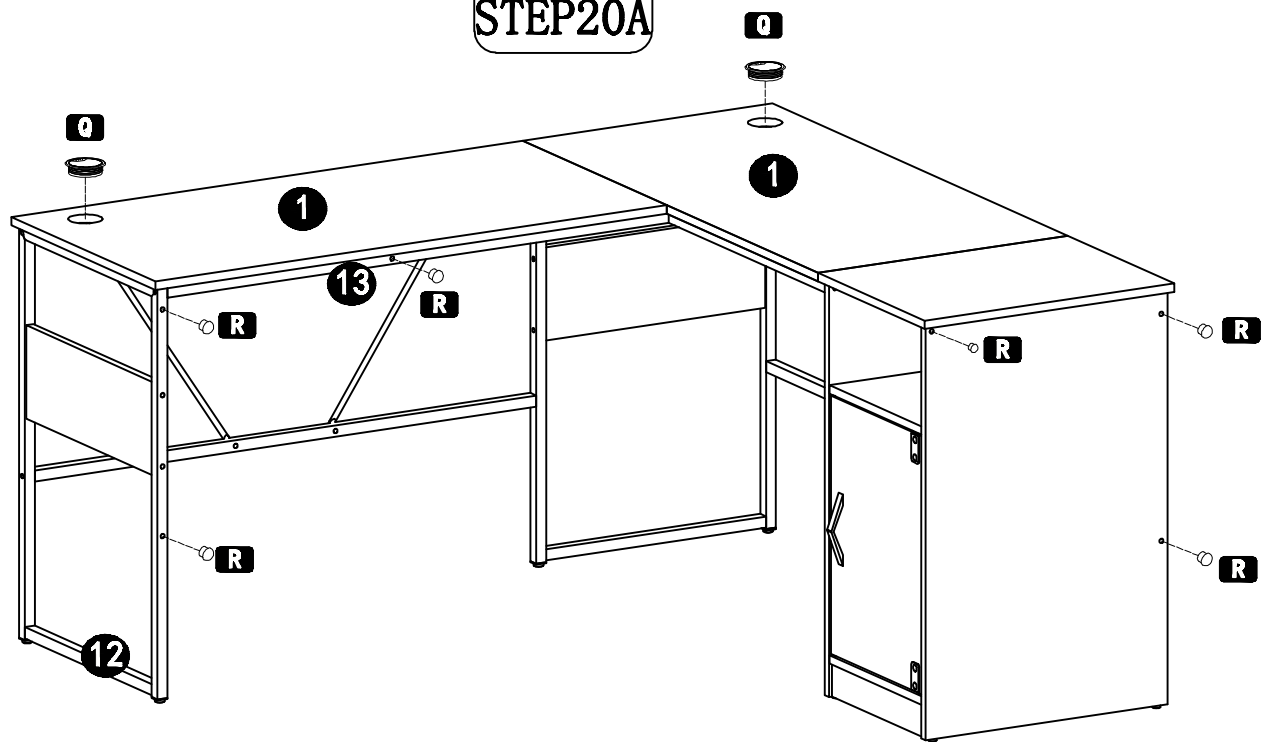


E 	M6x30	12
--	-------	----

ASSEMBLY INSTRUCTION

A

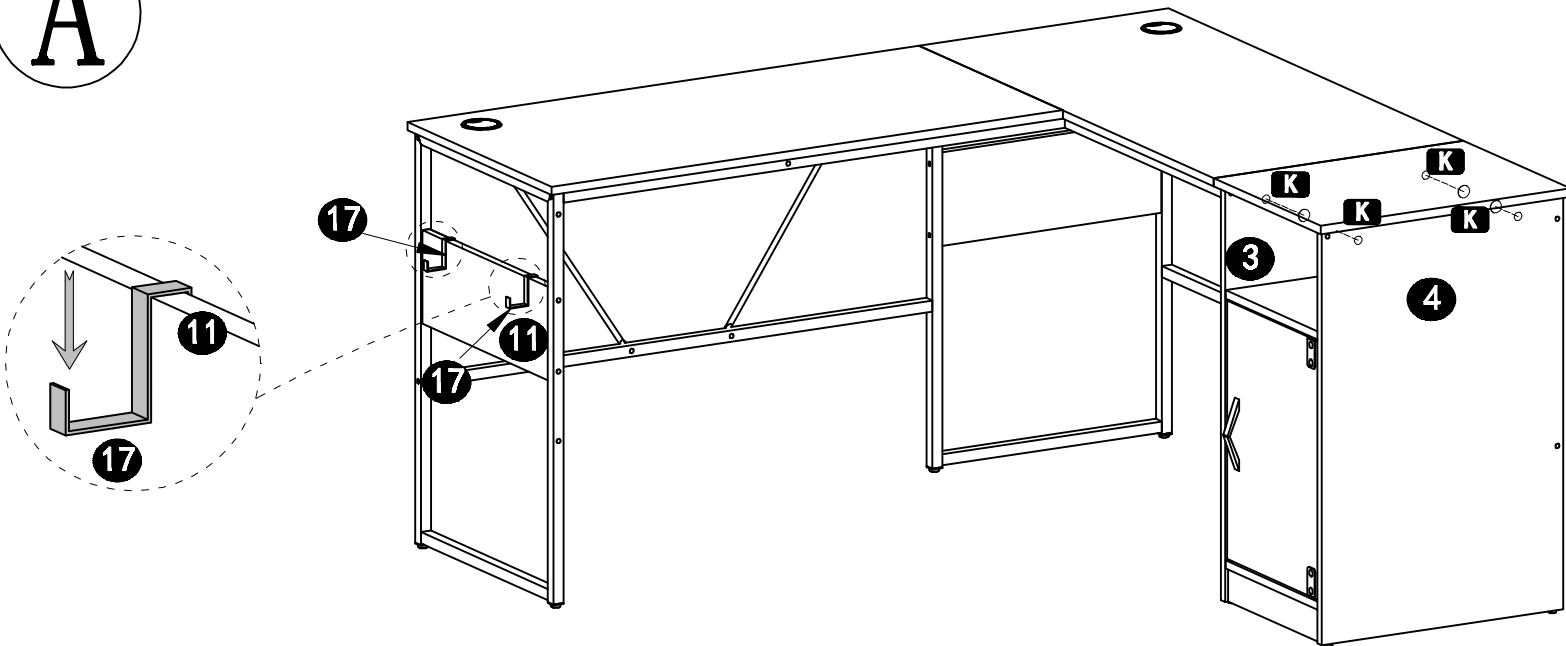
STEP20A



R $\phi 8$ 6 Q 2

A

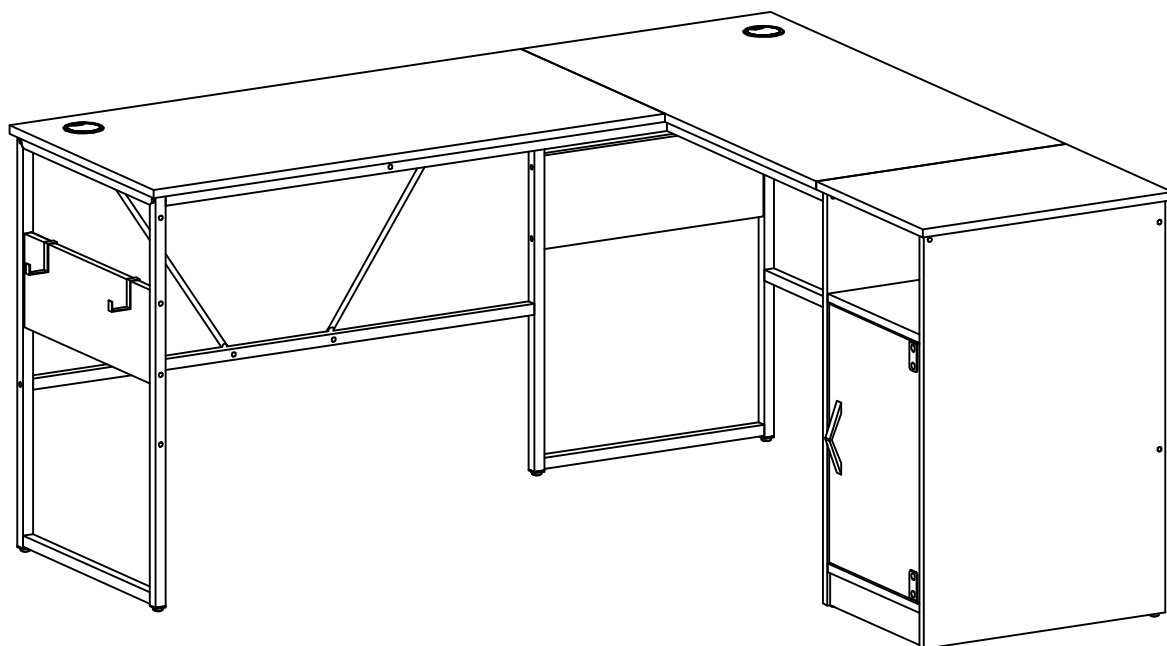
STEP21A



K $\phi 22$ 4

A

STEP22A



ASSEMBLY INSTRUCTION

B / C **STEP11B/C** **STEP12B/C** **B / C**

20A **20B** **G** **ST3x14** 2 **P** 1 **N** 1 **G** **ST3x14** 4

B / C **STEP13B/C** **STEP14B/C** **B / C**

O 1 **G** **ST3x14** 2 **J** $\phi 5 \times 17$ 4

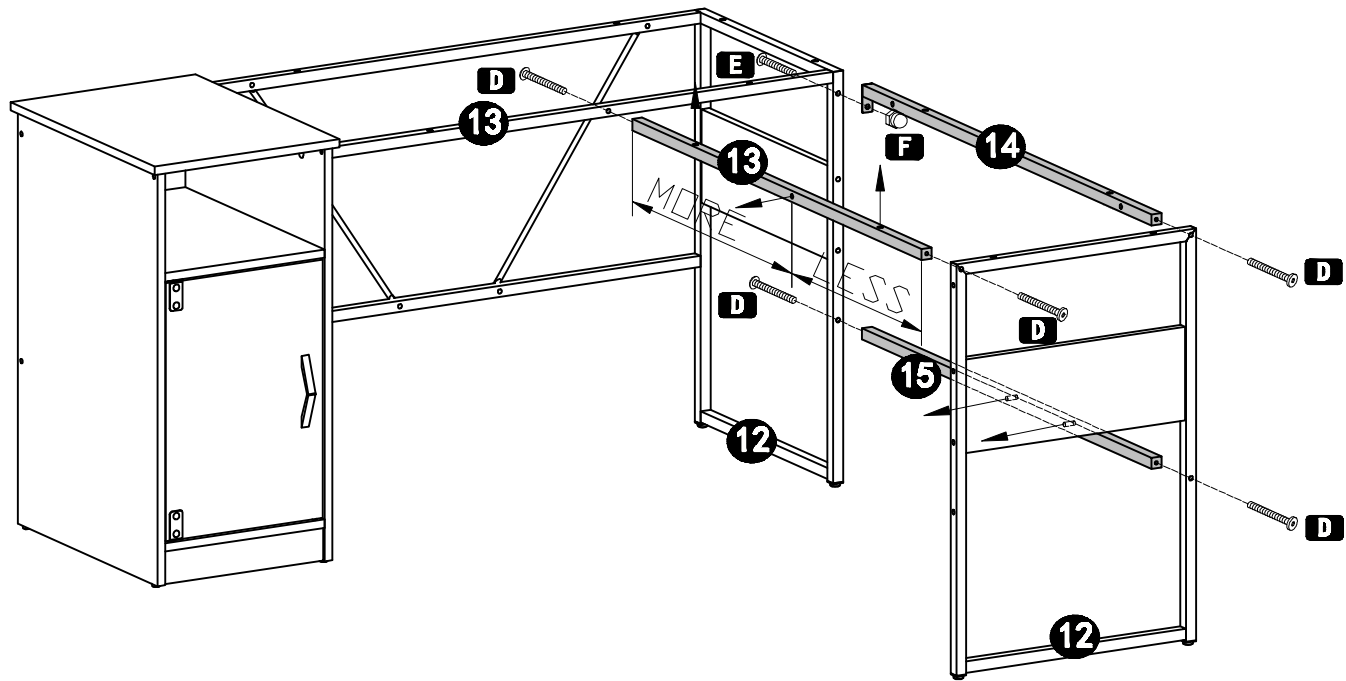
B / C **STEP15B/C** **STEP16B/C** **B / C**

S **M6x25** 1 **F** **M6** 1 **E** **M6x30** 2 **D** **M6x35** 3 **E** **M6x30** 4 **F** **M6** 4

ASSEMBLY INSTRUCTION

STEP 17B

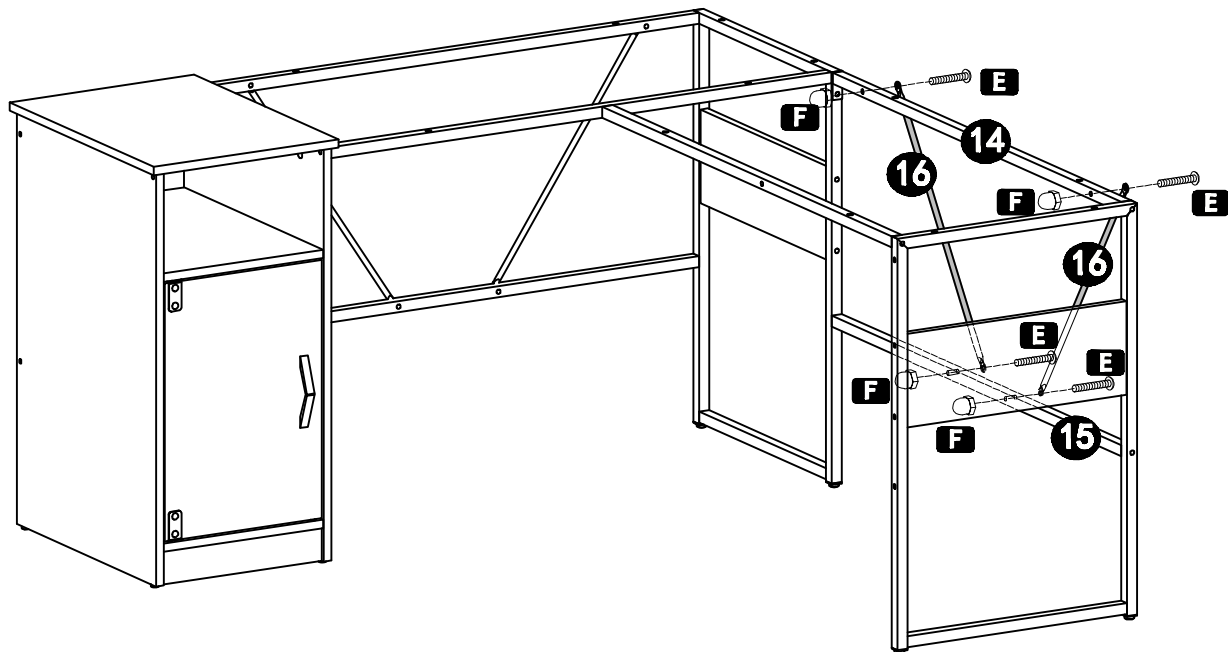
B



F 	M6	1	E 	M6x30	1	D 	M6x35	5
--	----	---	--	-------	---	--	-------	---

STEP 18B

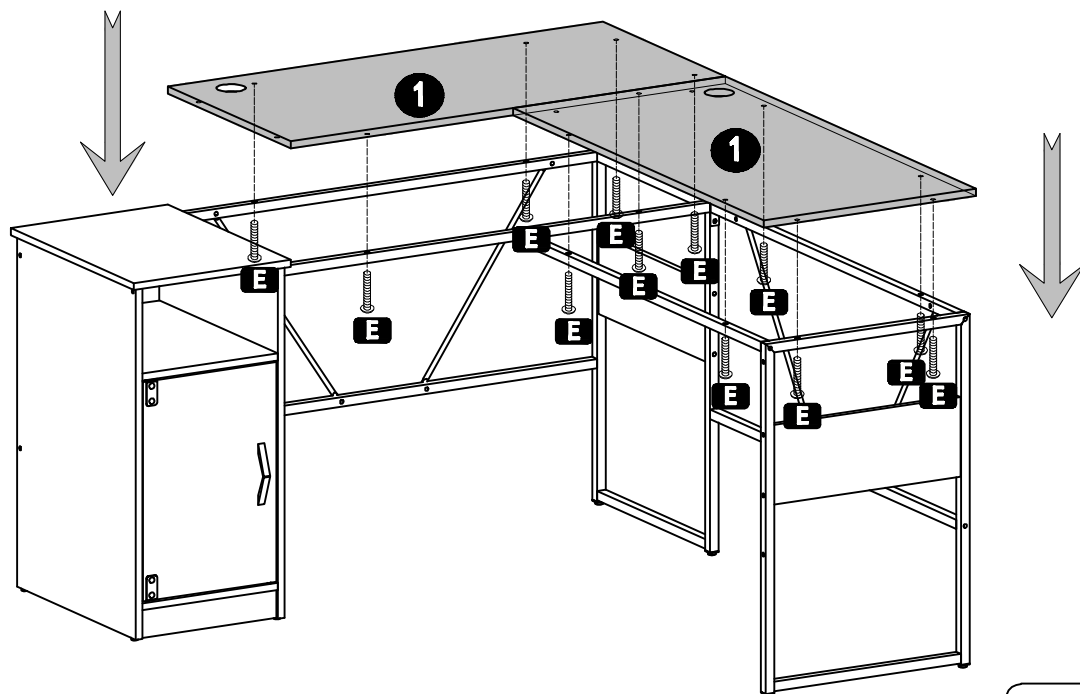
B

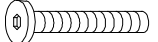


E 	M6x30	4	F 	M6	4
--	-------	---	--	----	---

STEP 19B

B

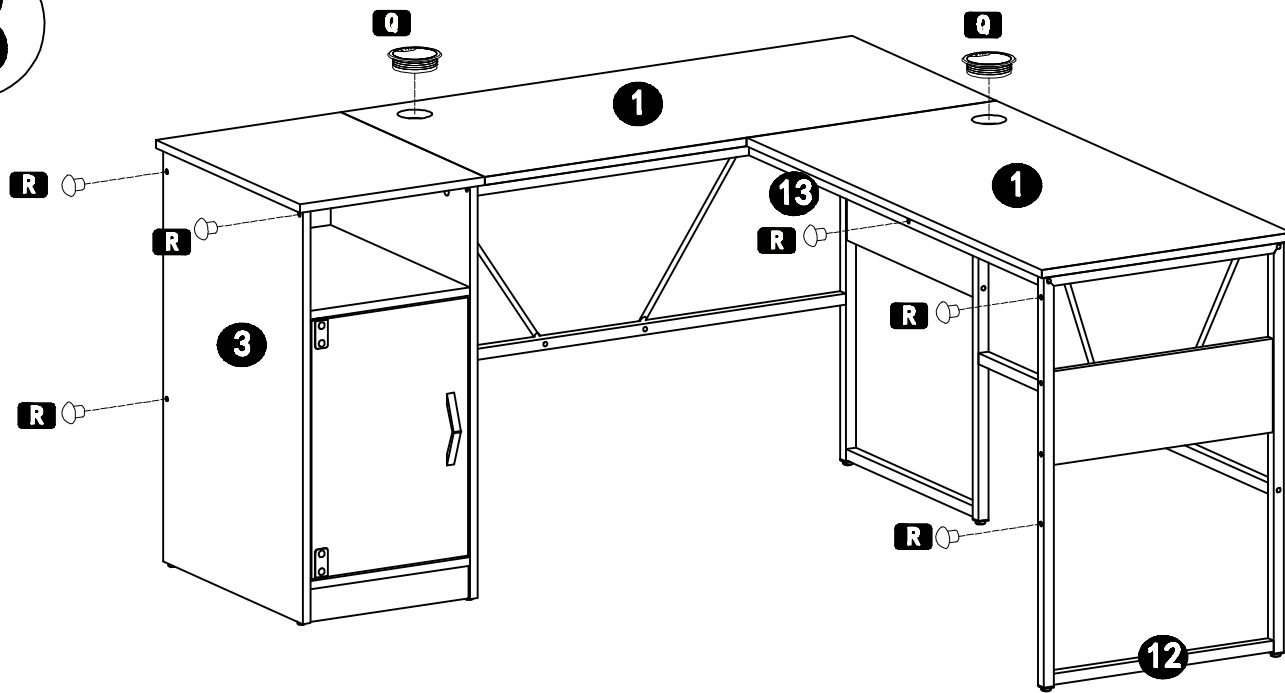


E 	M6x30	12
--	-------	----

ASSEMBLY INSTRUCTION

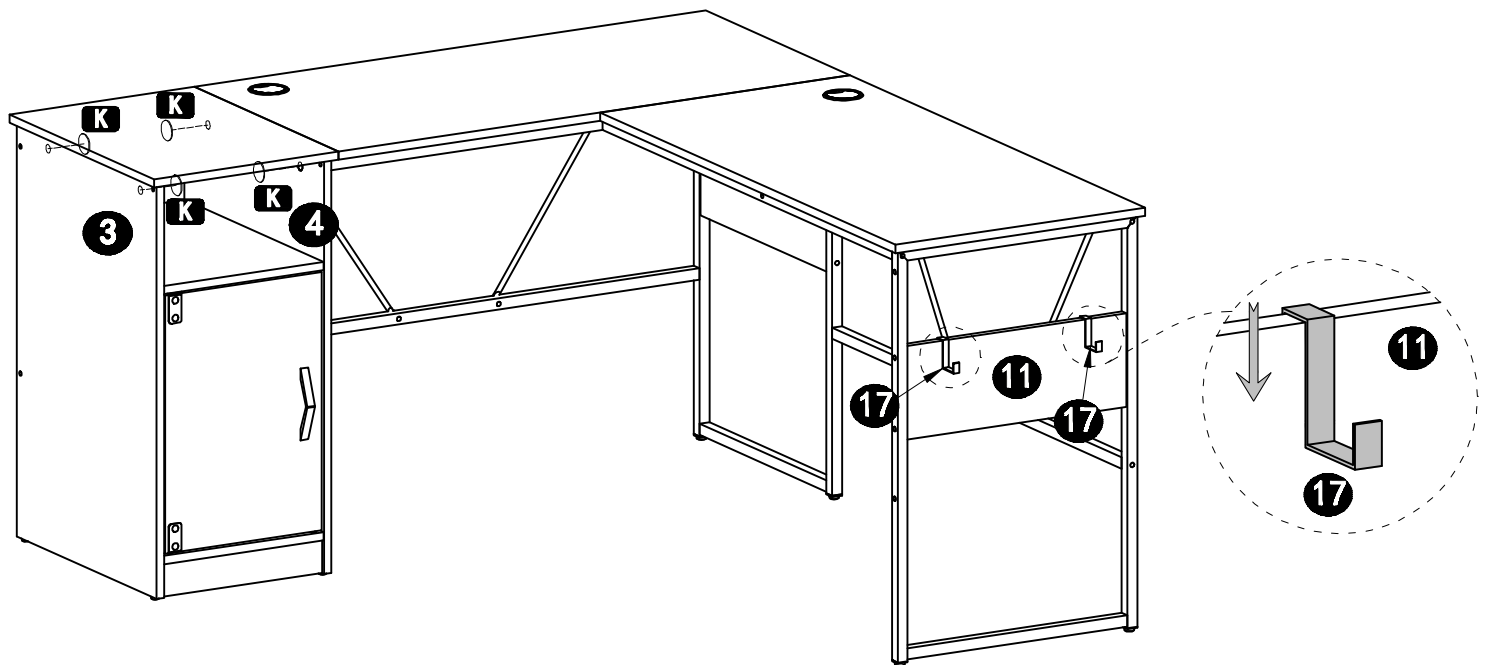
STEP20B

B



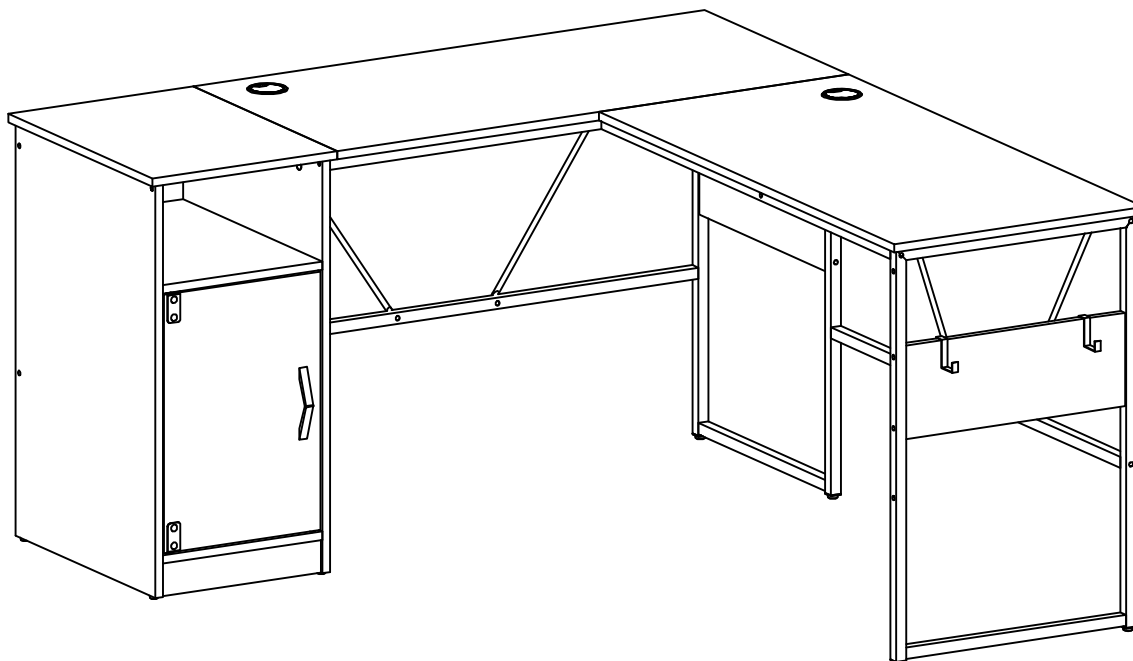
STEP21B

B



STEP22B

B



ASSEMBLY INSTRUCTION

C **STEP17C**

S M6x25 1 **F** M6 1 **E** M6x30 2 **D** M6x35 3

C **STEP18C**

E M6x30 4 **F** M6 4

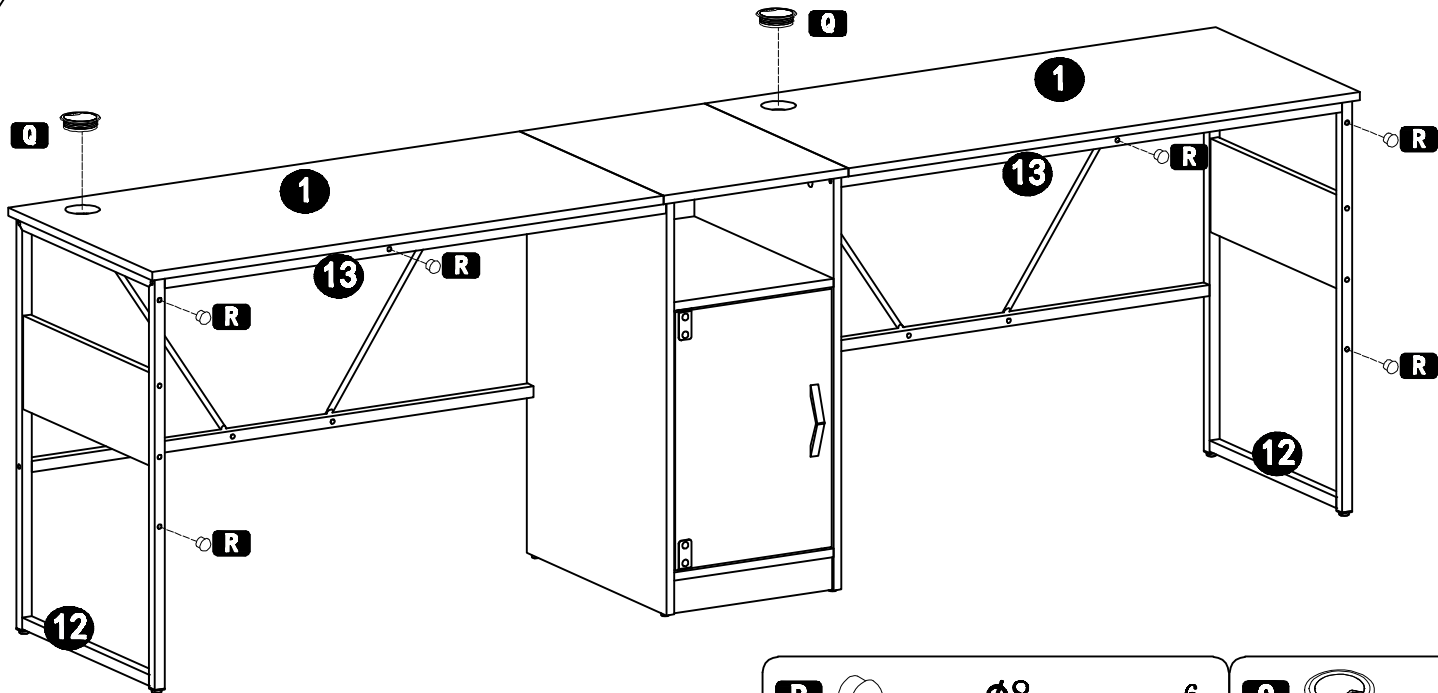
C **STEP19C**

E M6x30 12

ASSEMBLY INSTRUCTION

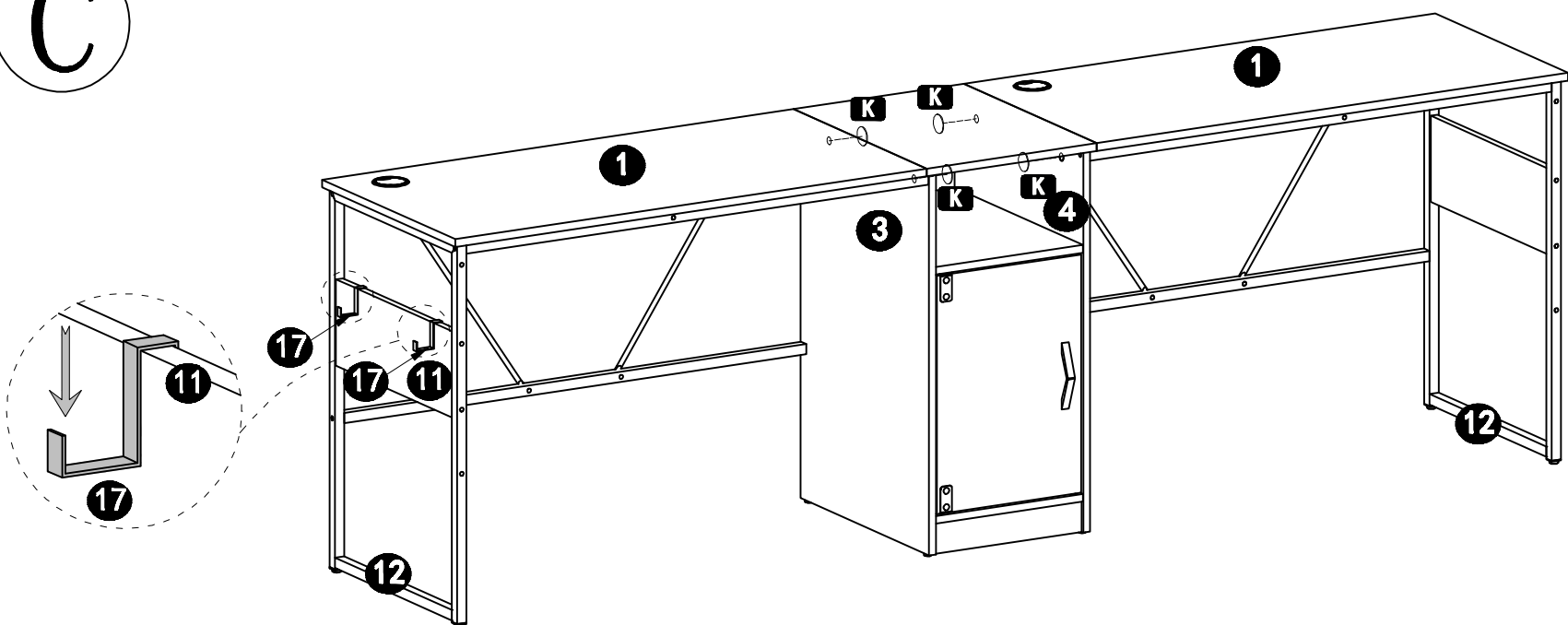
STEP20C

C



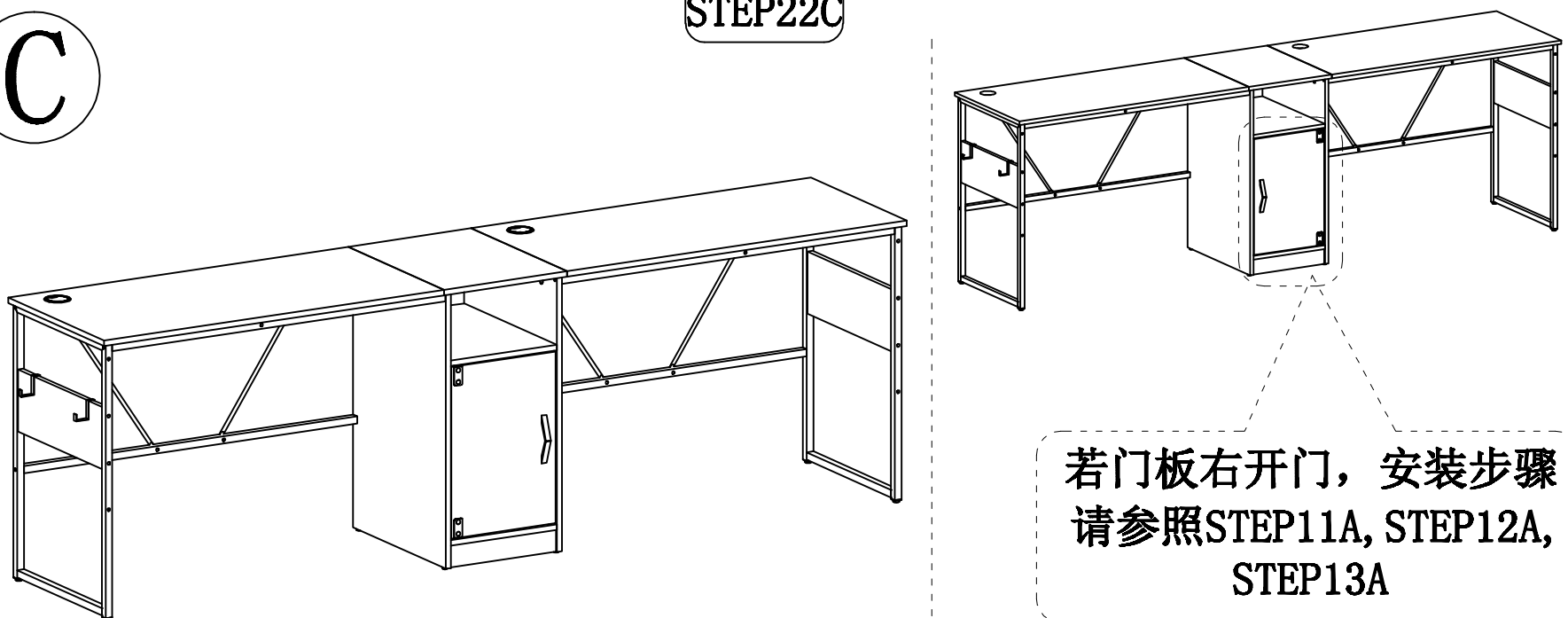
STEP21C

C



STEP22C

C



若门板右开门, 安装步骤
请参照STEP11A, STEP12A,
STEP13A