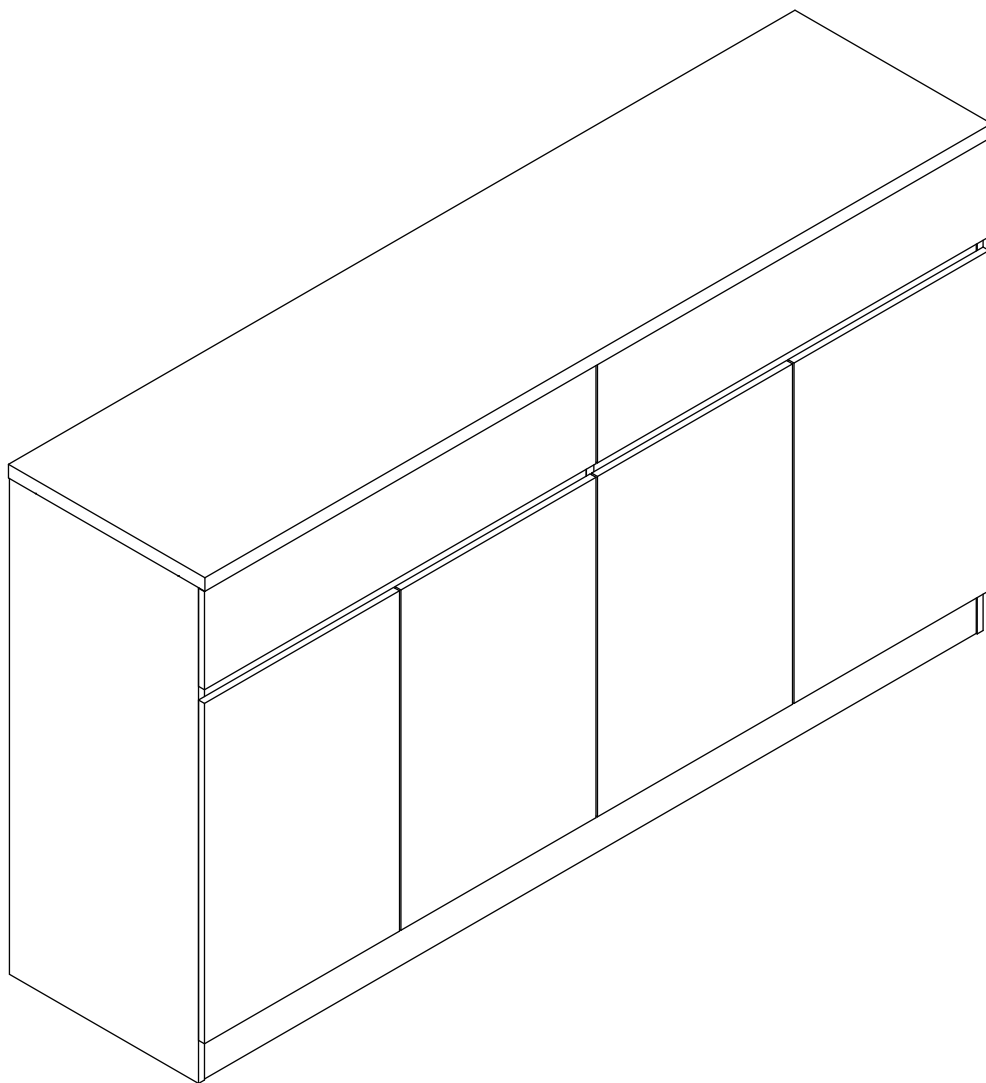
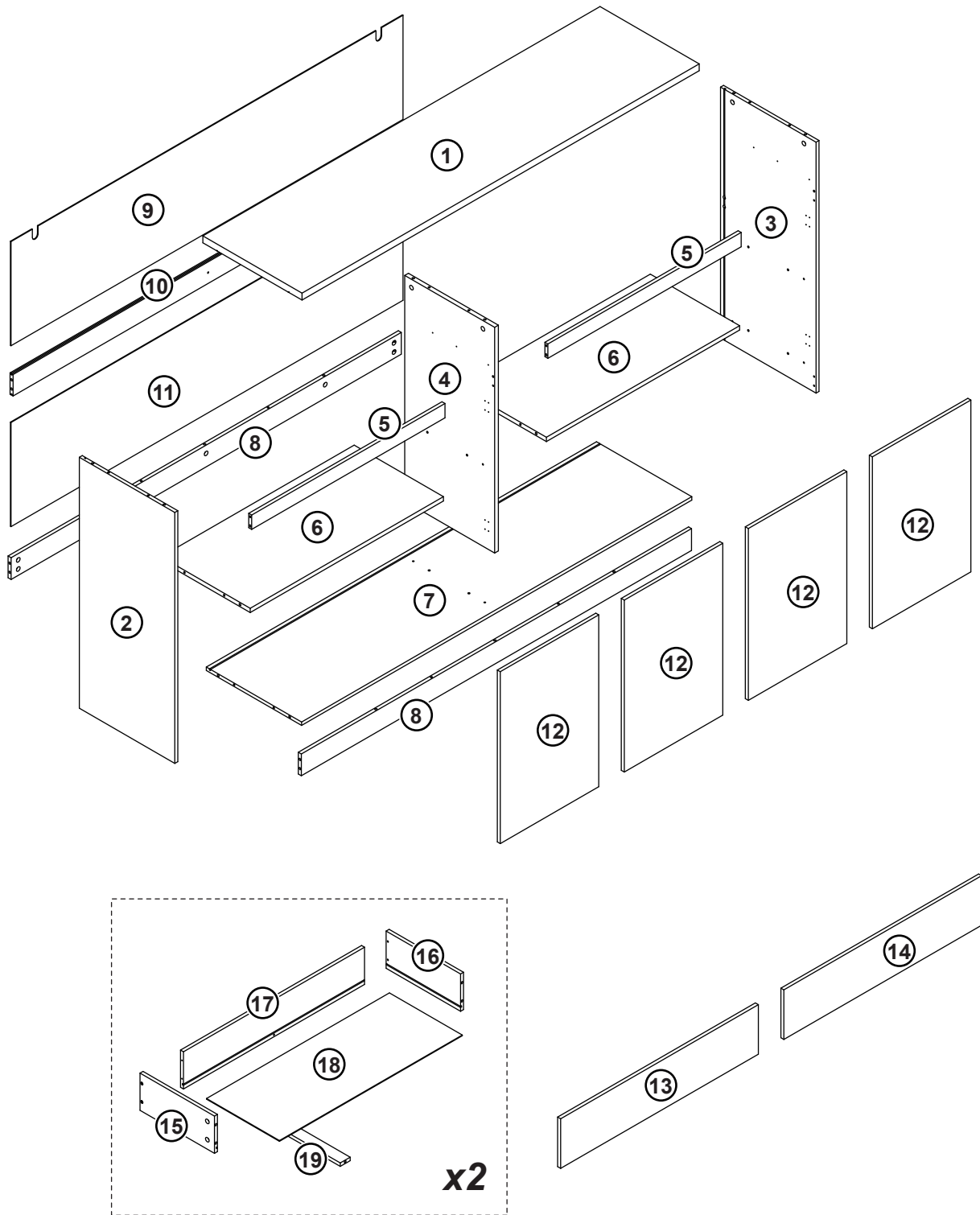


DJYC2516

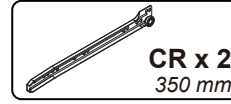
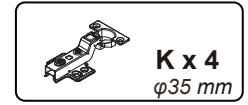
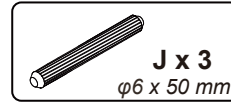
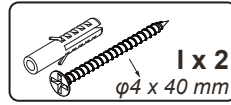
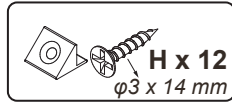
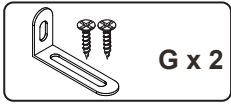
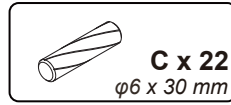
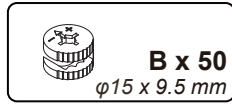
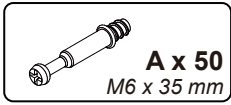
ASSEMBLY INTRODUCTION



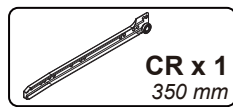
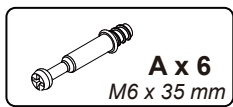
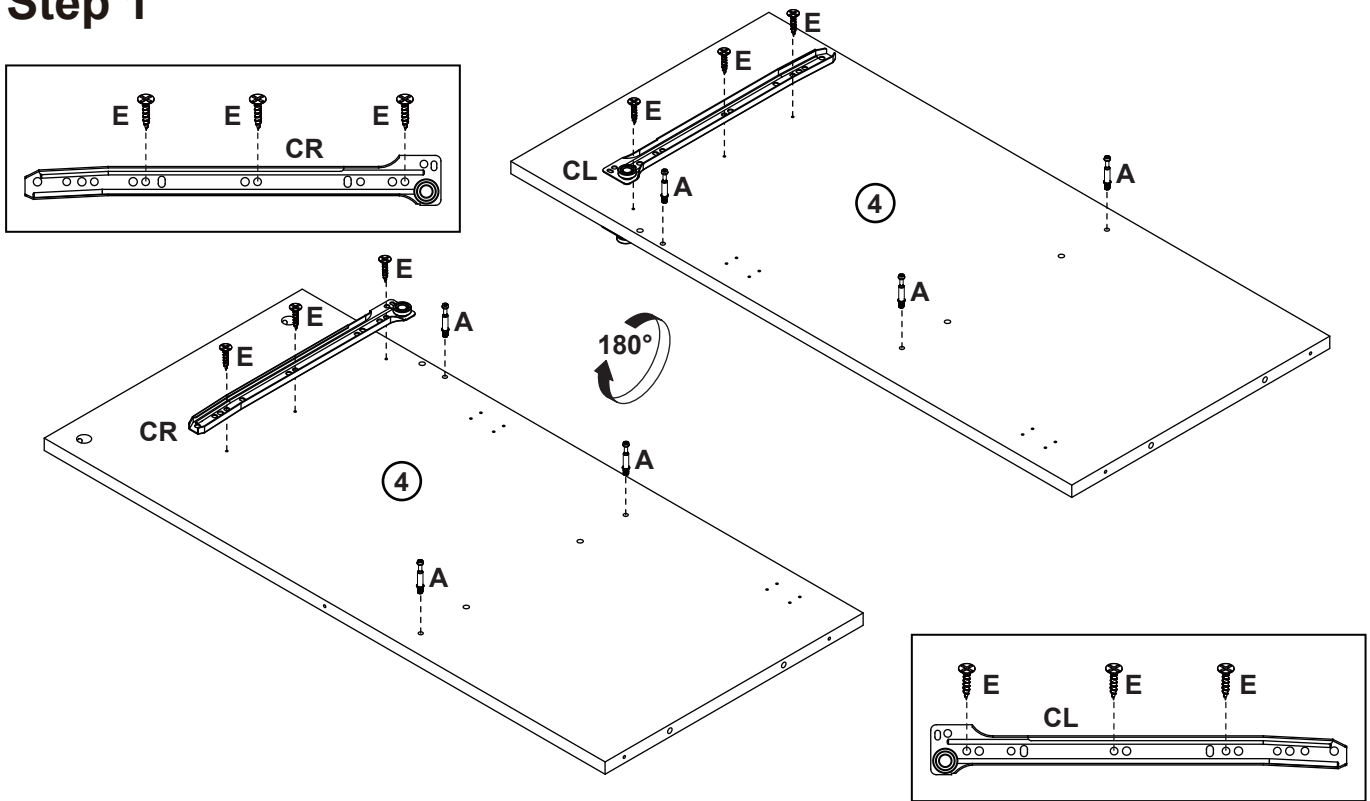
Exploded View



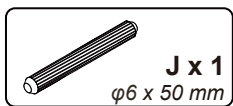
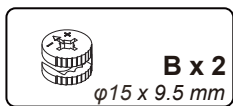
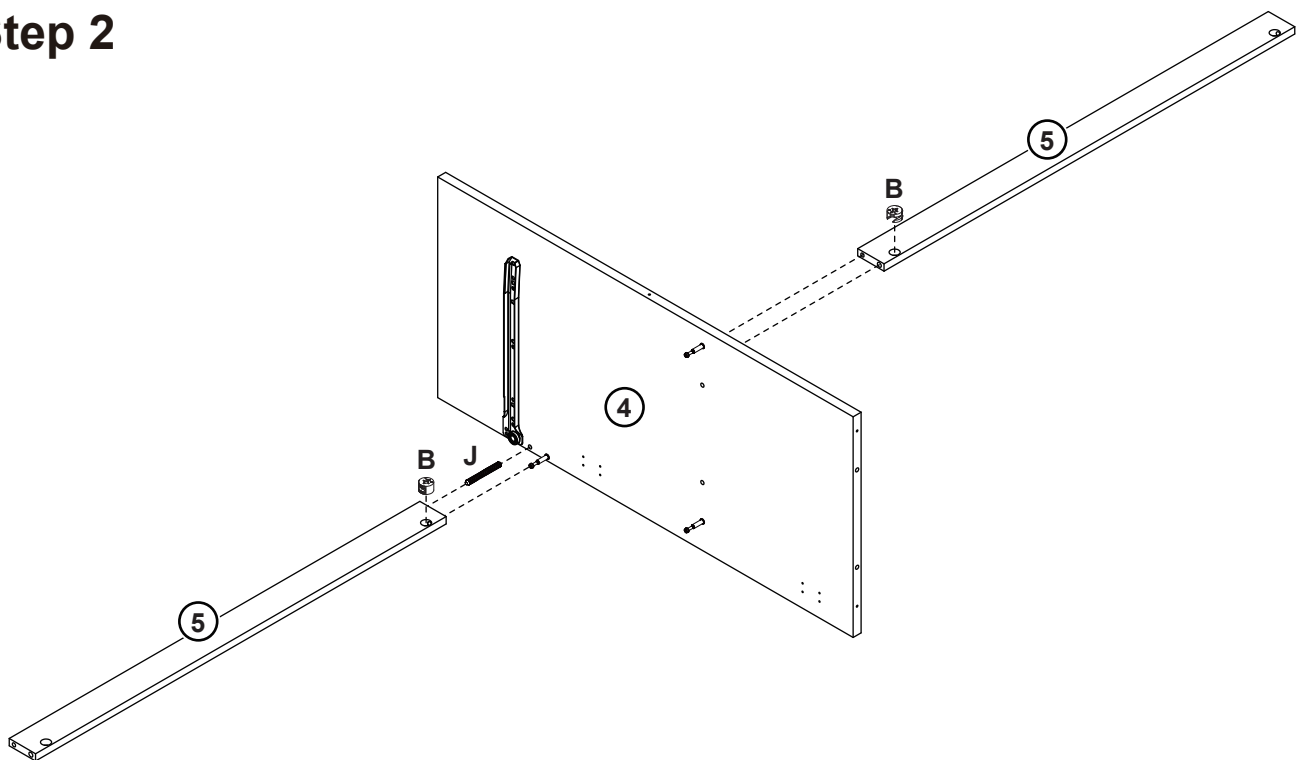
Fitting



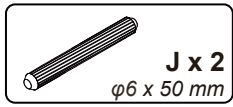
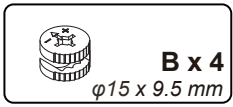
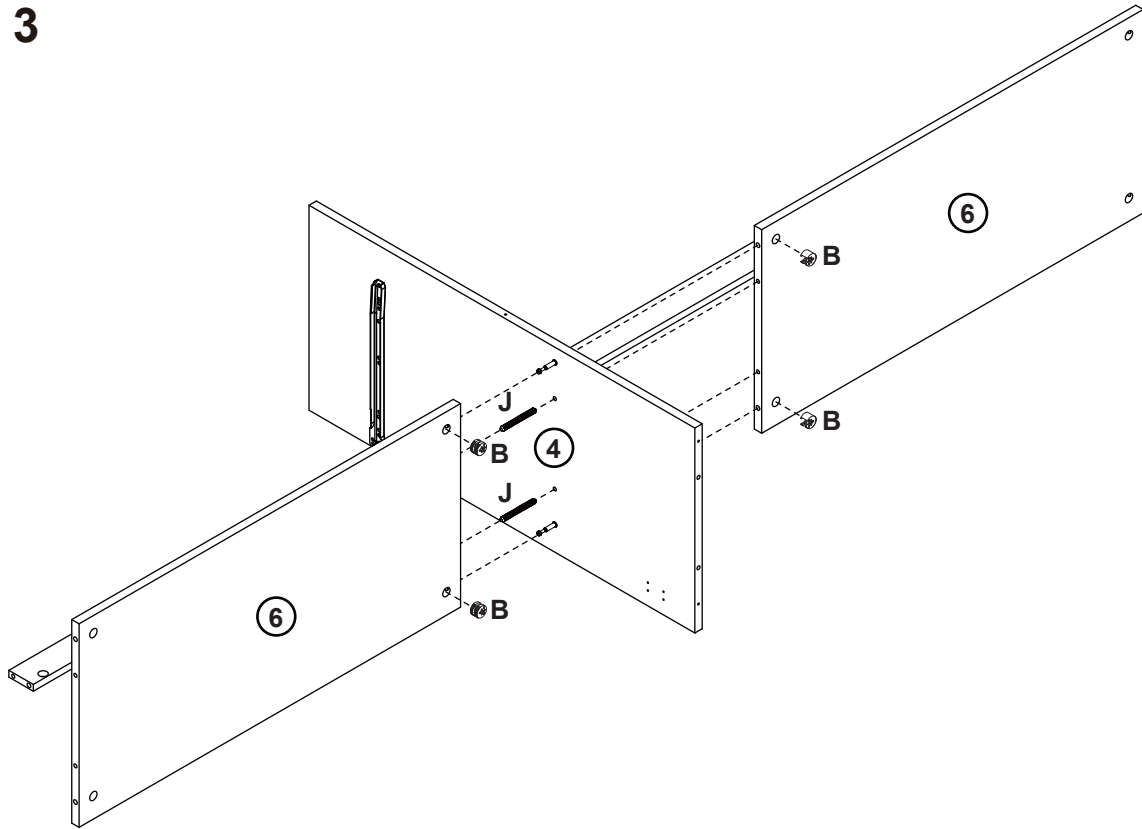
Step 1



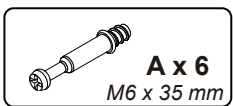
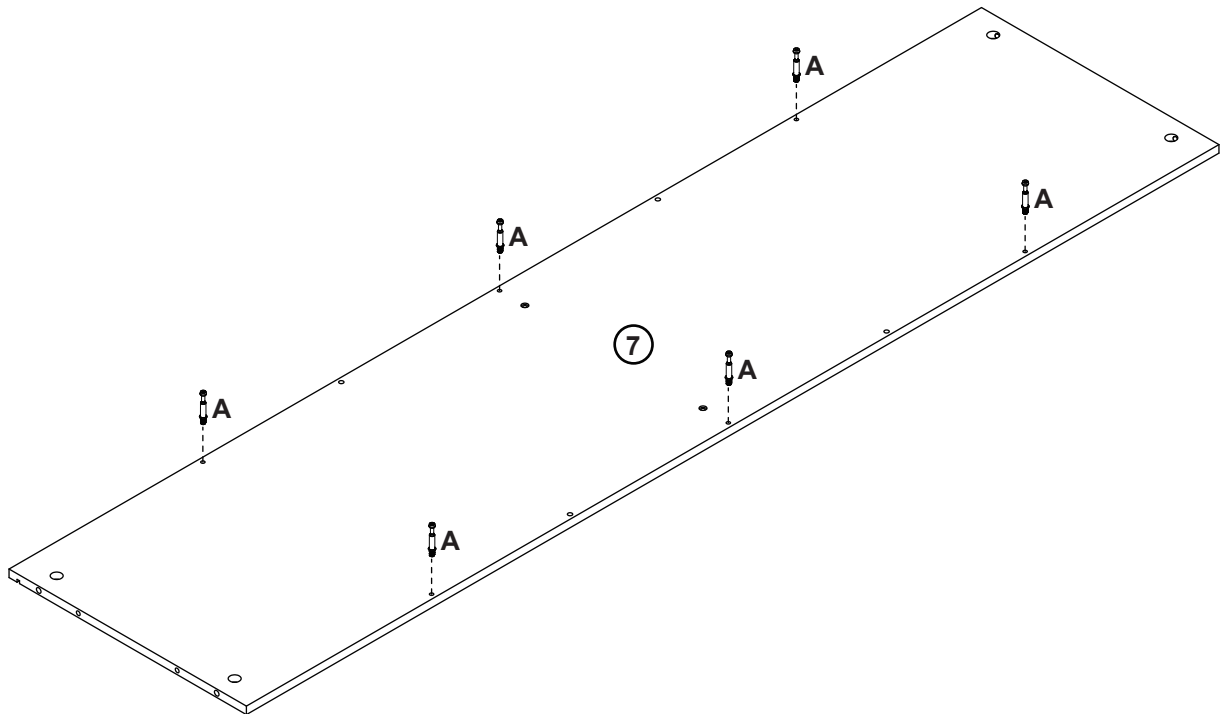
Step 2



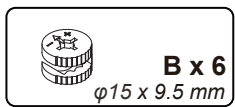
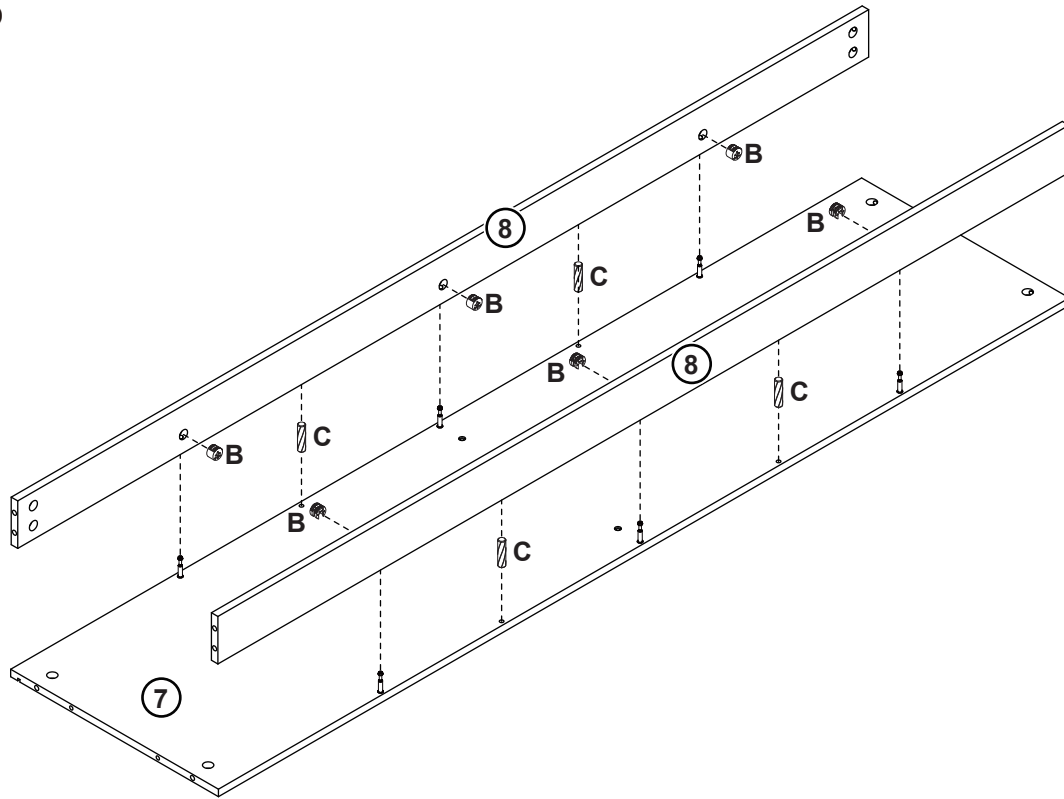
Step 3



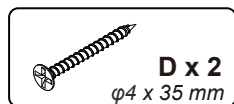
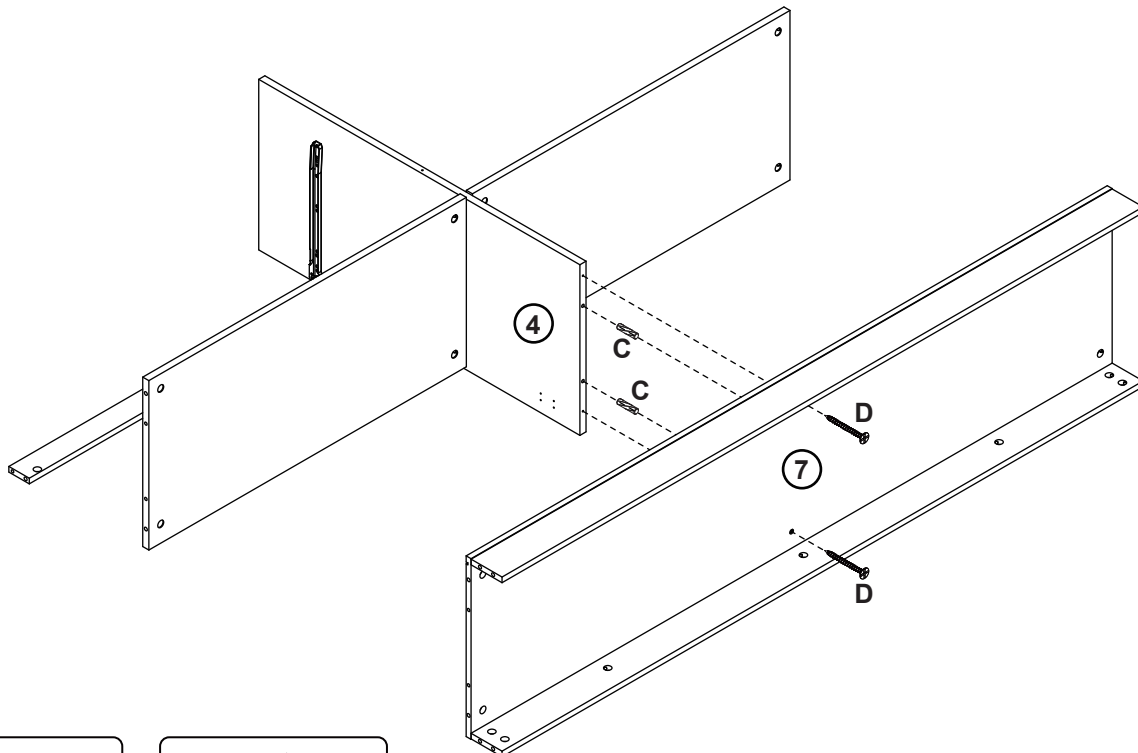
Step 4



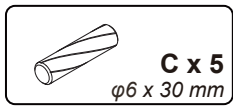
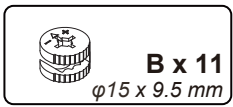
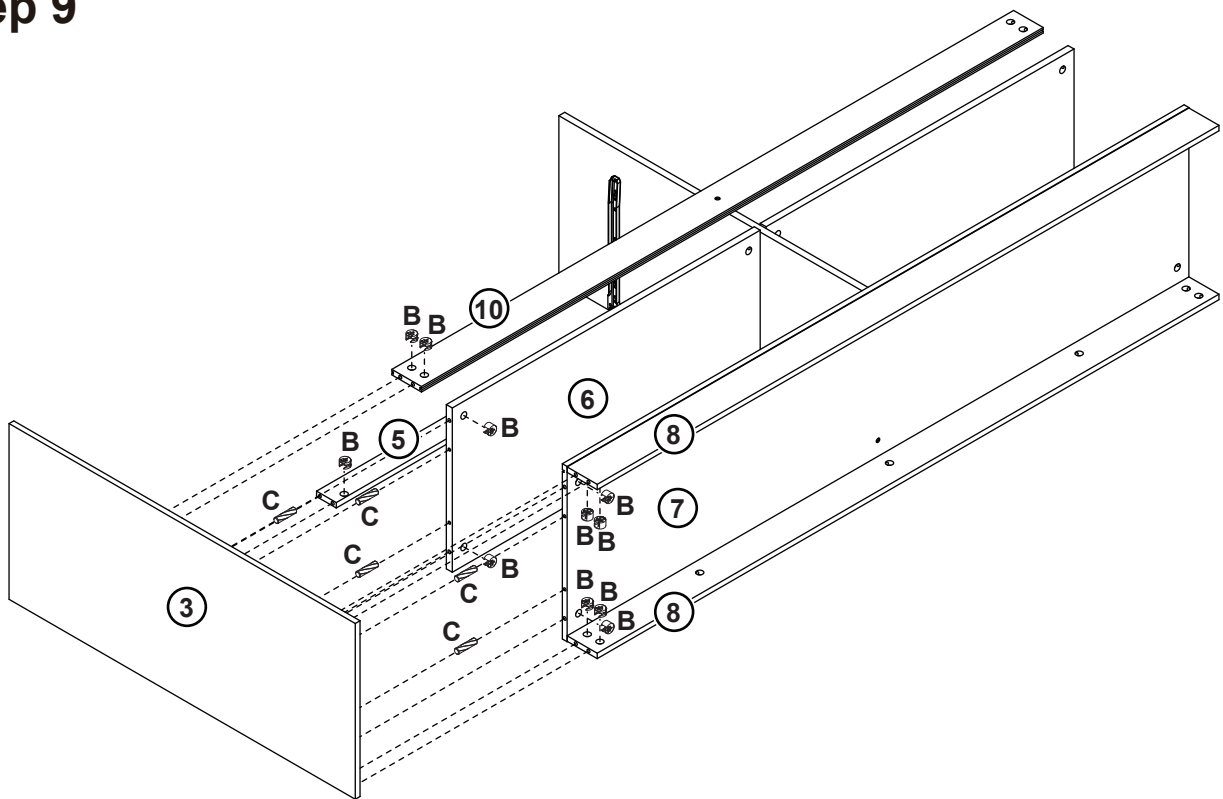
Step 5



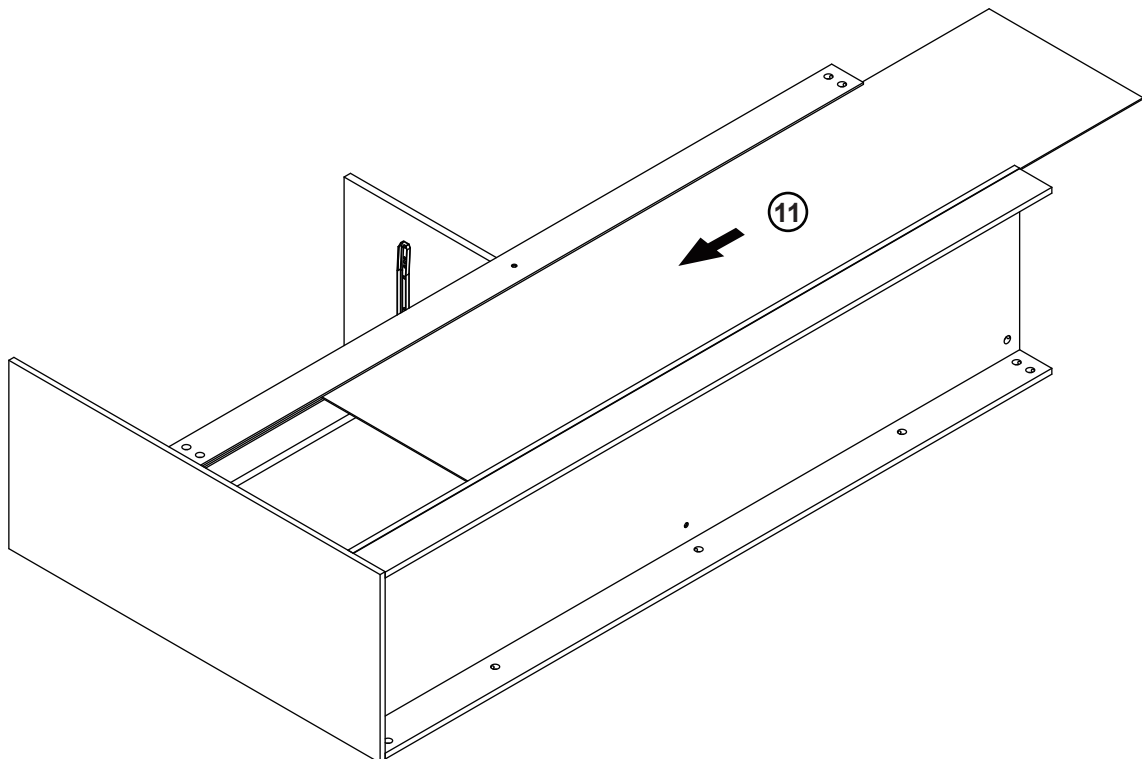
Step 6



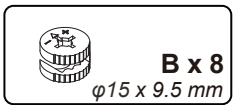
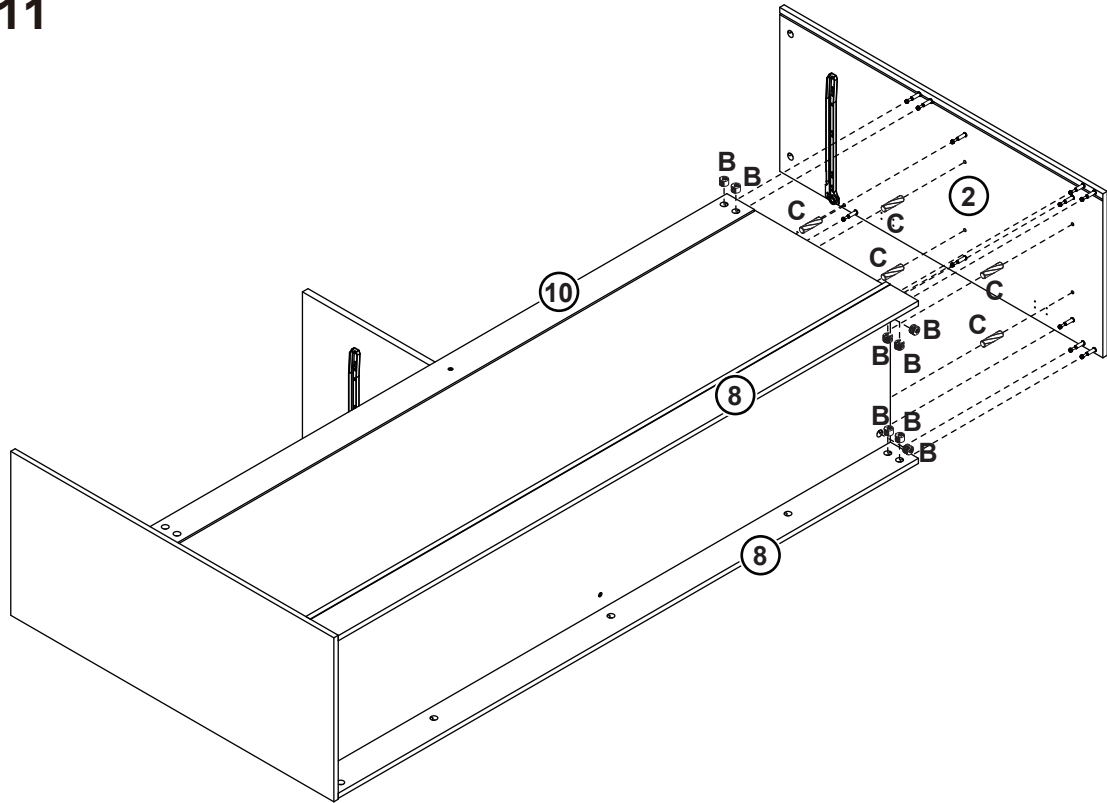
Step 9



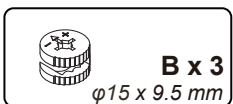
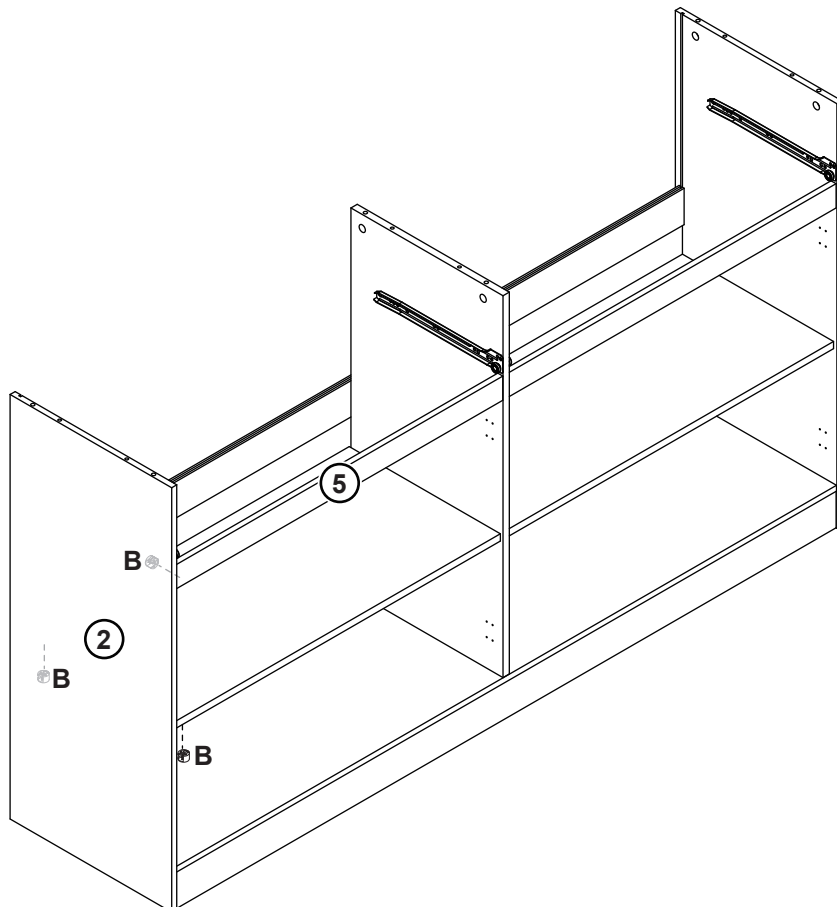
Step 10



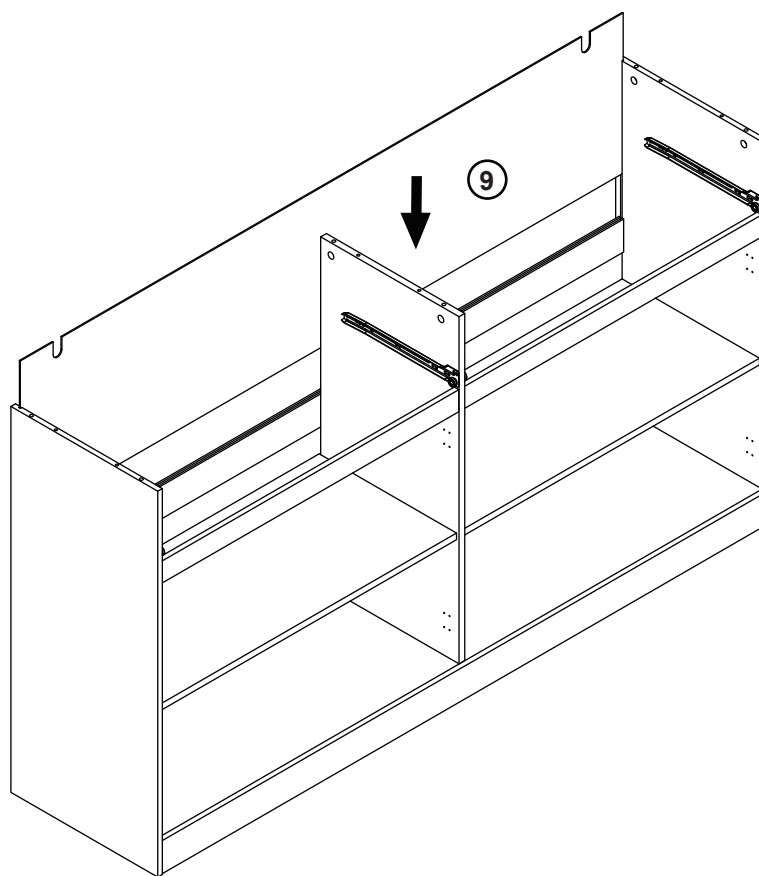
Step 11



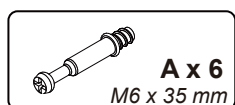
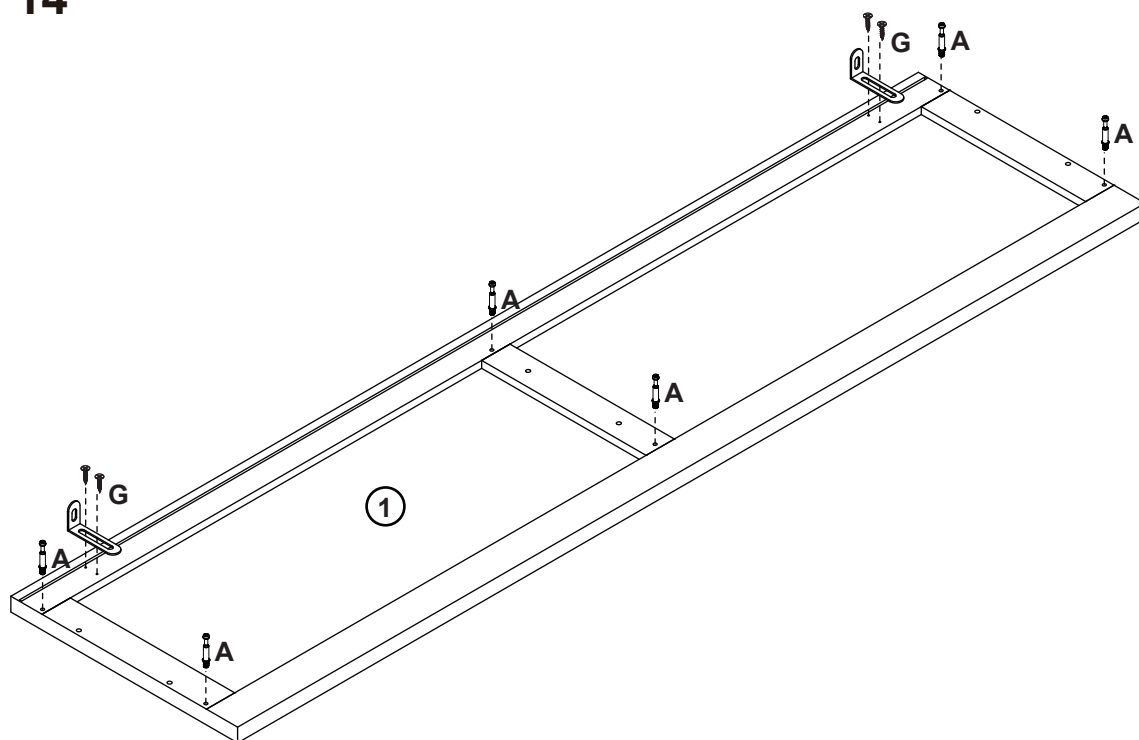
Step 12



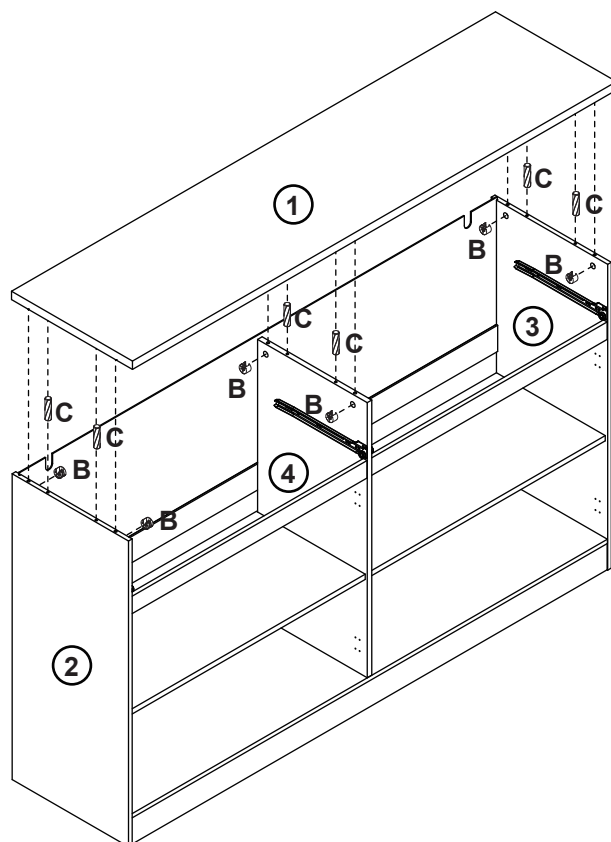
Step 13



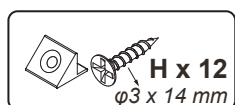
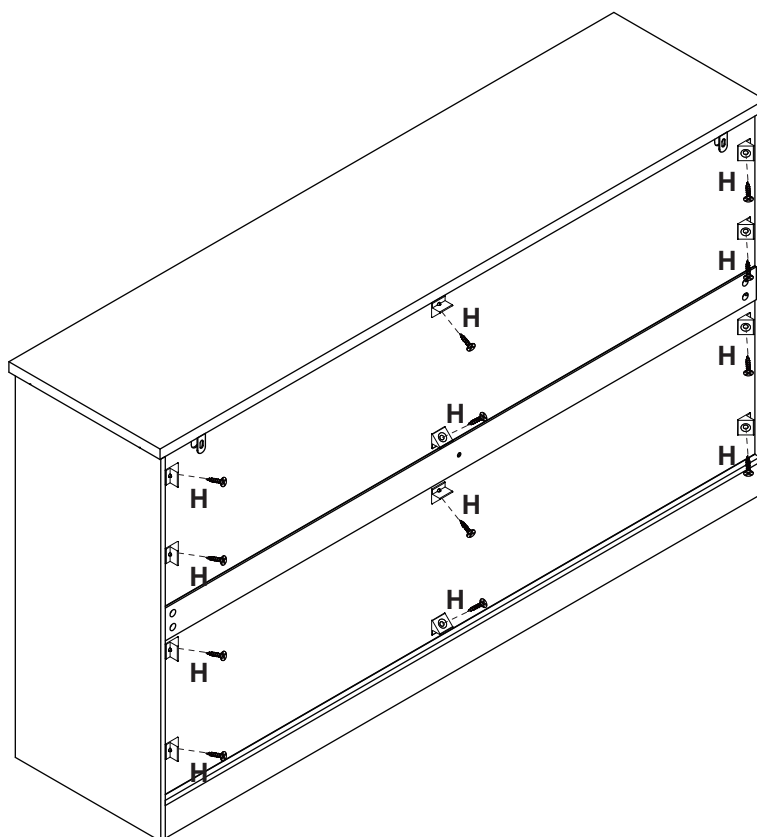
Step 14



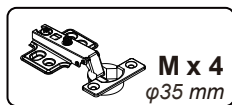
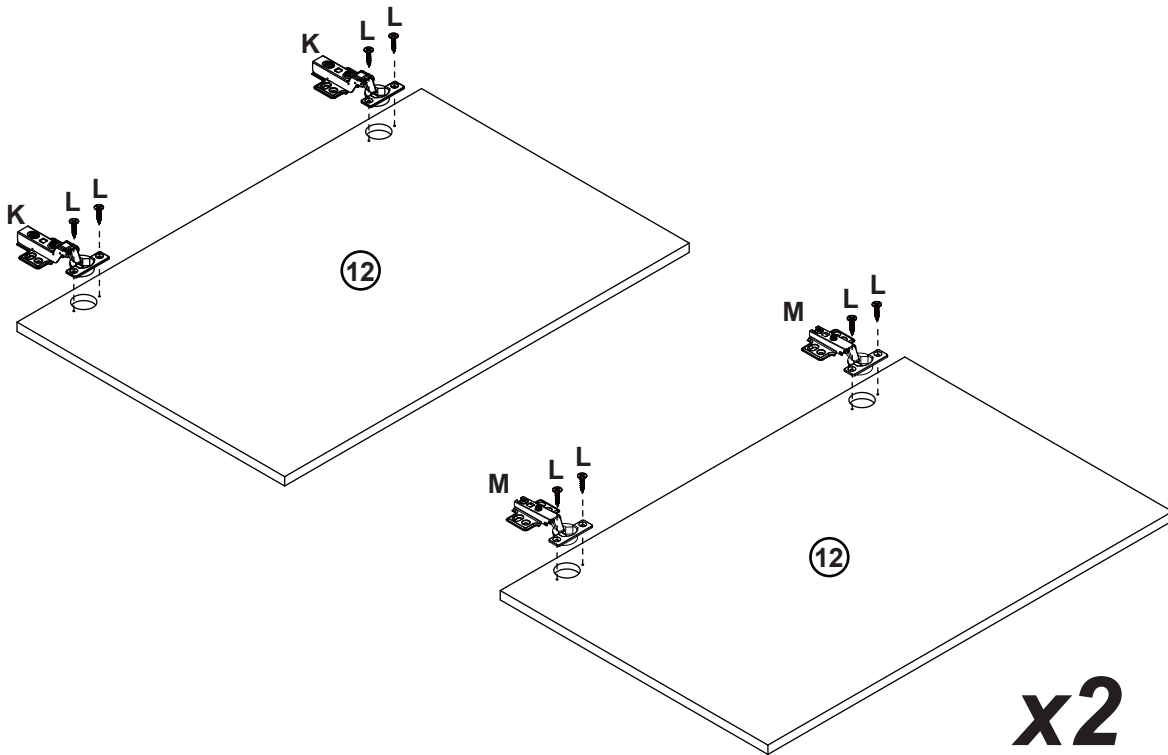
Step 15



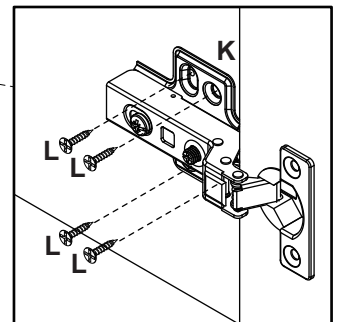
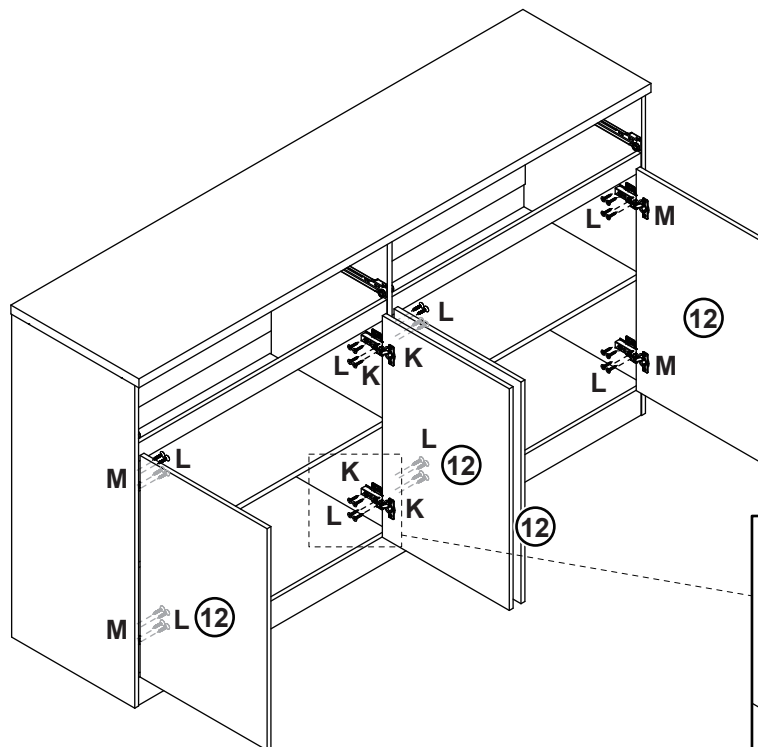
Step 16



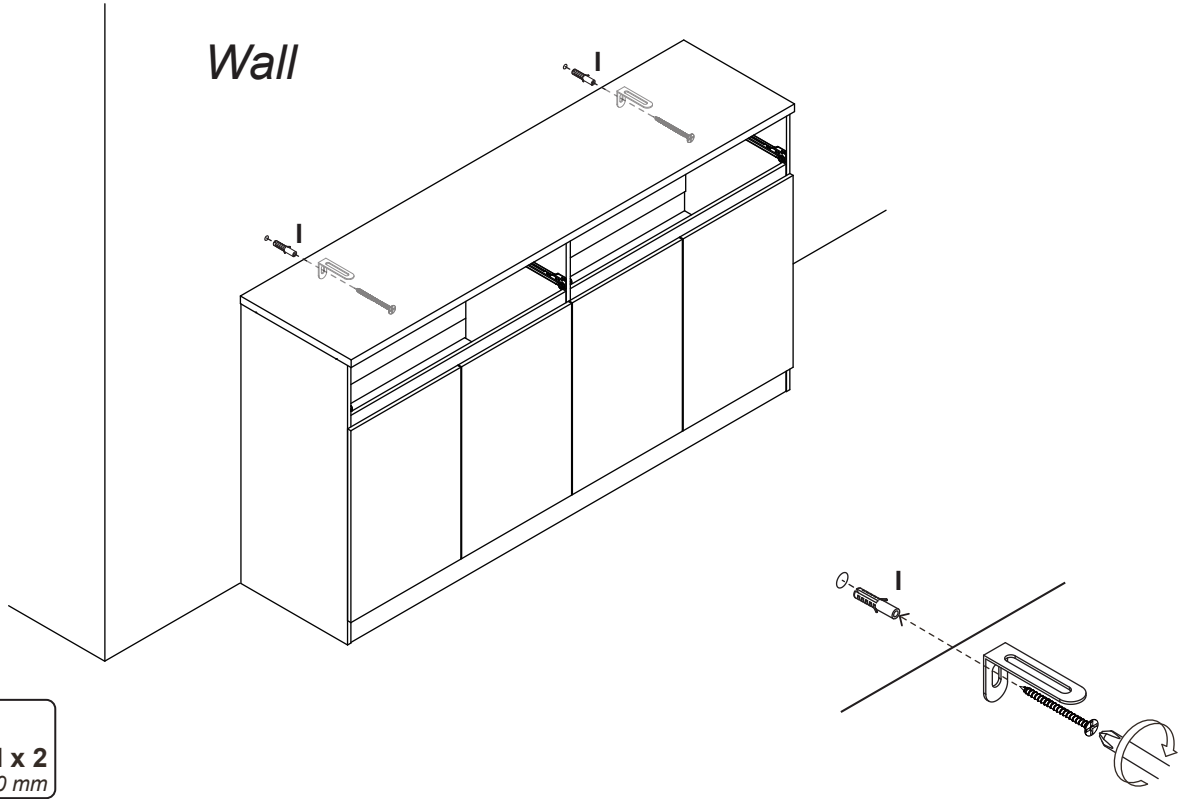
Step 17



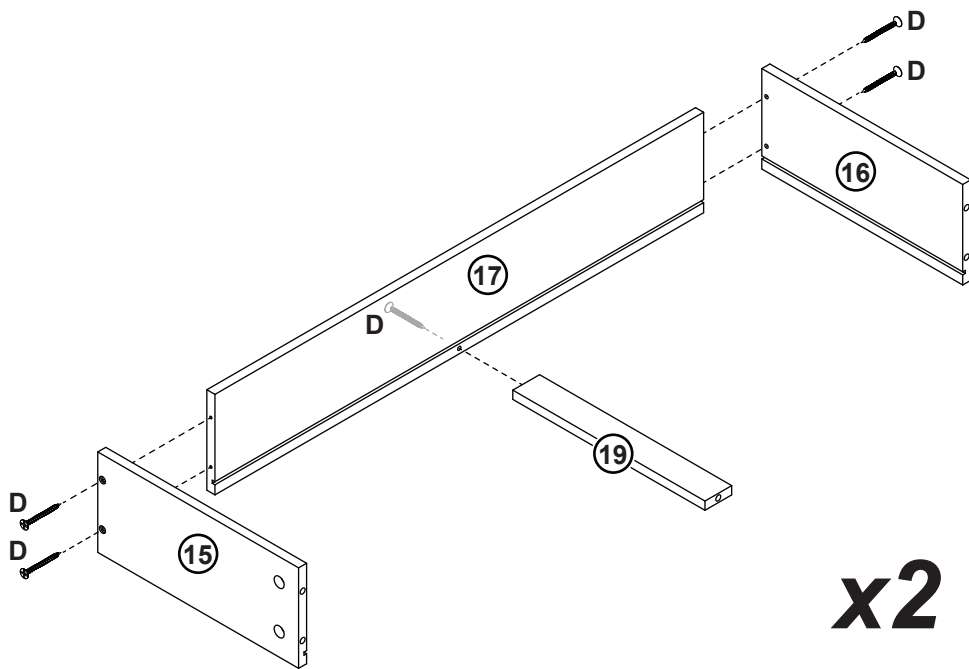
Step 18



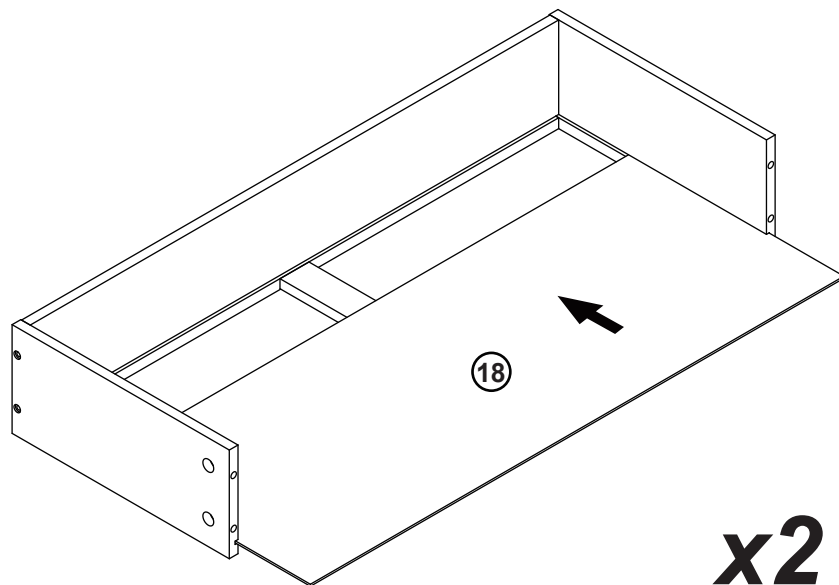
Step 19



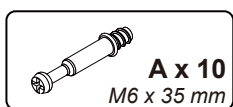
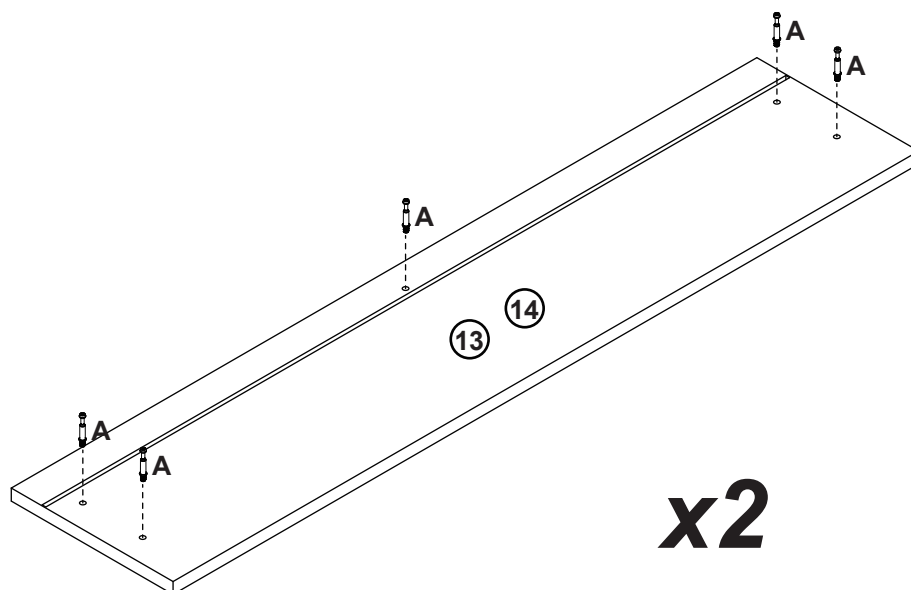
Step 20



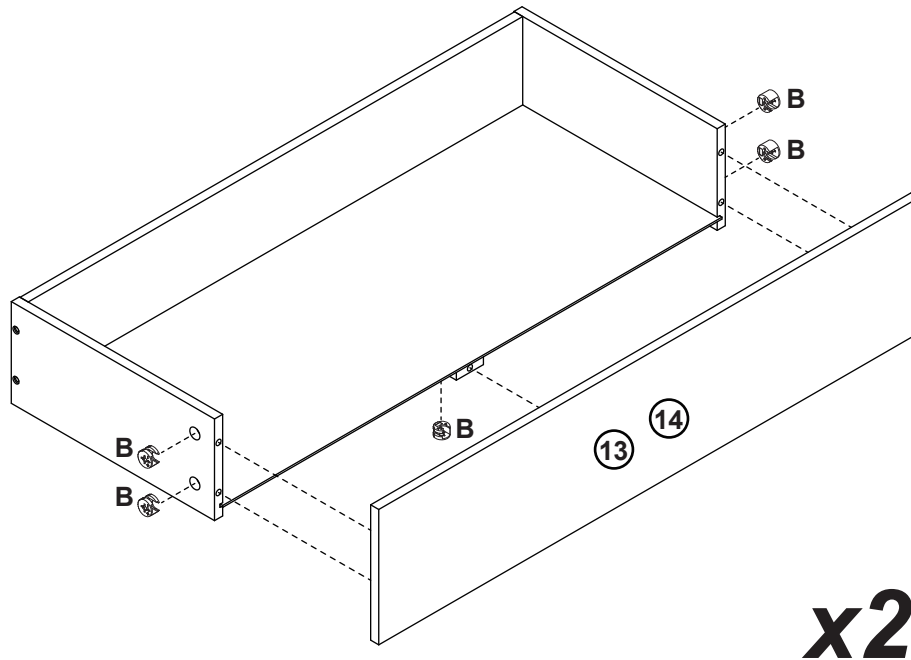
Step 21



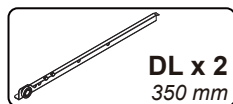
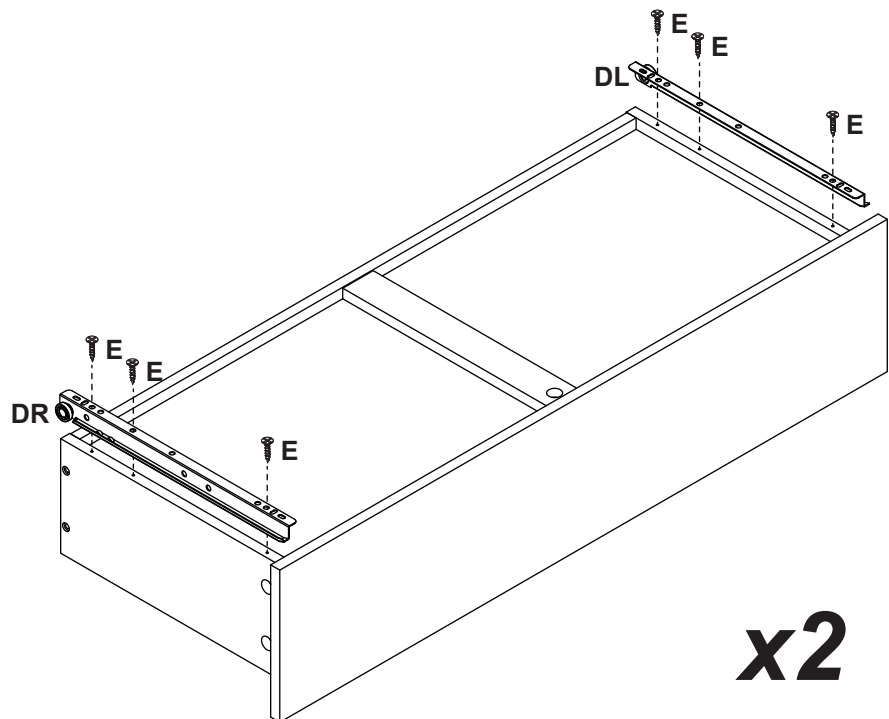
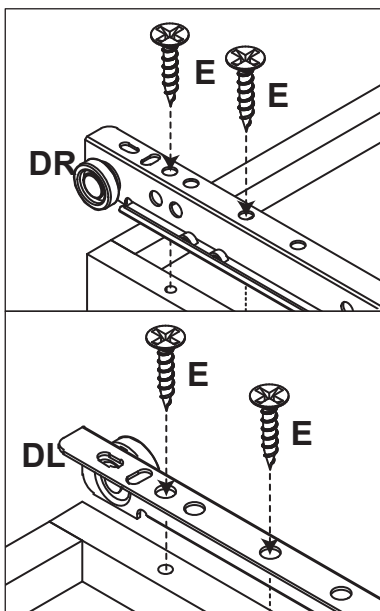
Step 22



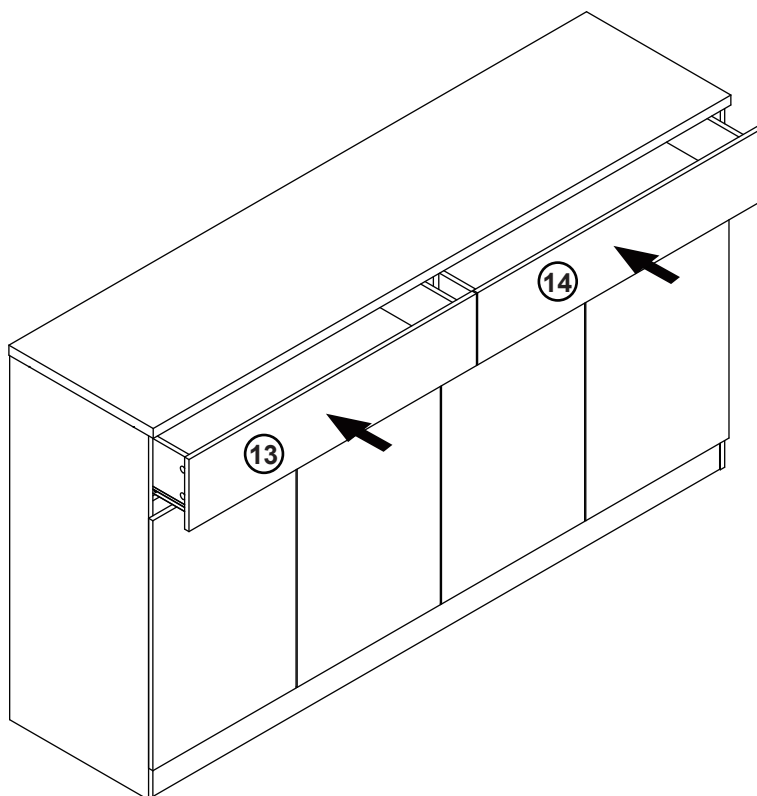
Step 23



Step 24



Step 25



Step 26

