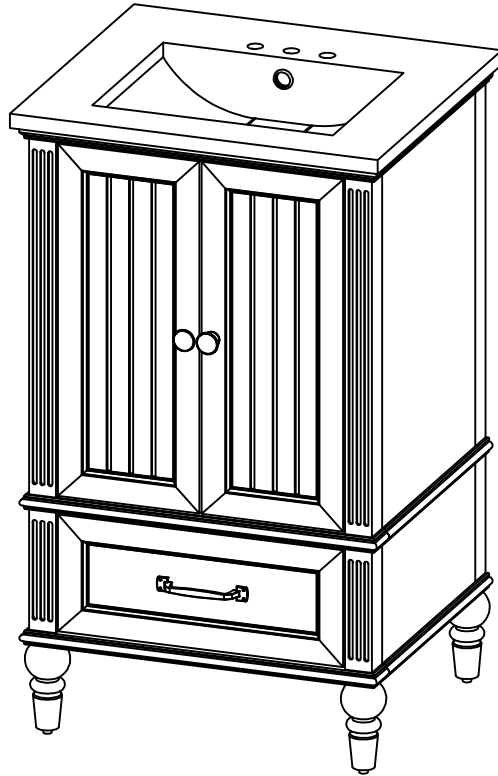


# ASSEMBLY INSTRUCTIONS

Thank you for purchasing this quality Product. Be sure to check all packing material carefully for small parts, which may have come loose inside carton during shipment. identify and count all parts and compare with the parts list below.



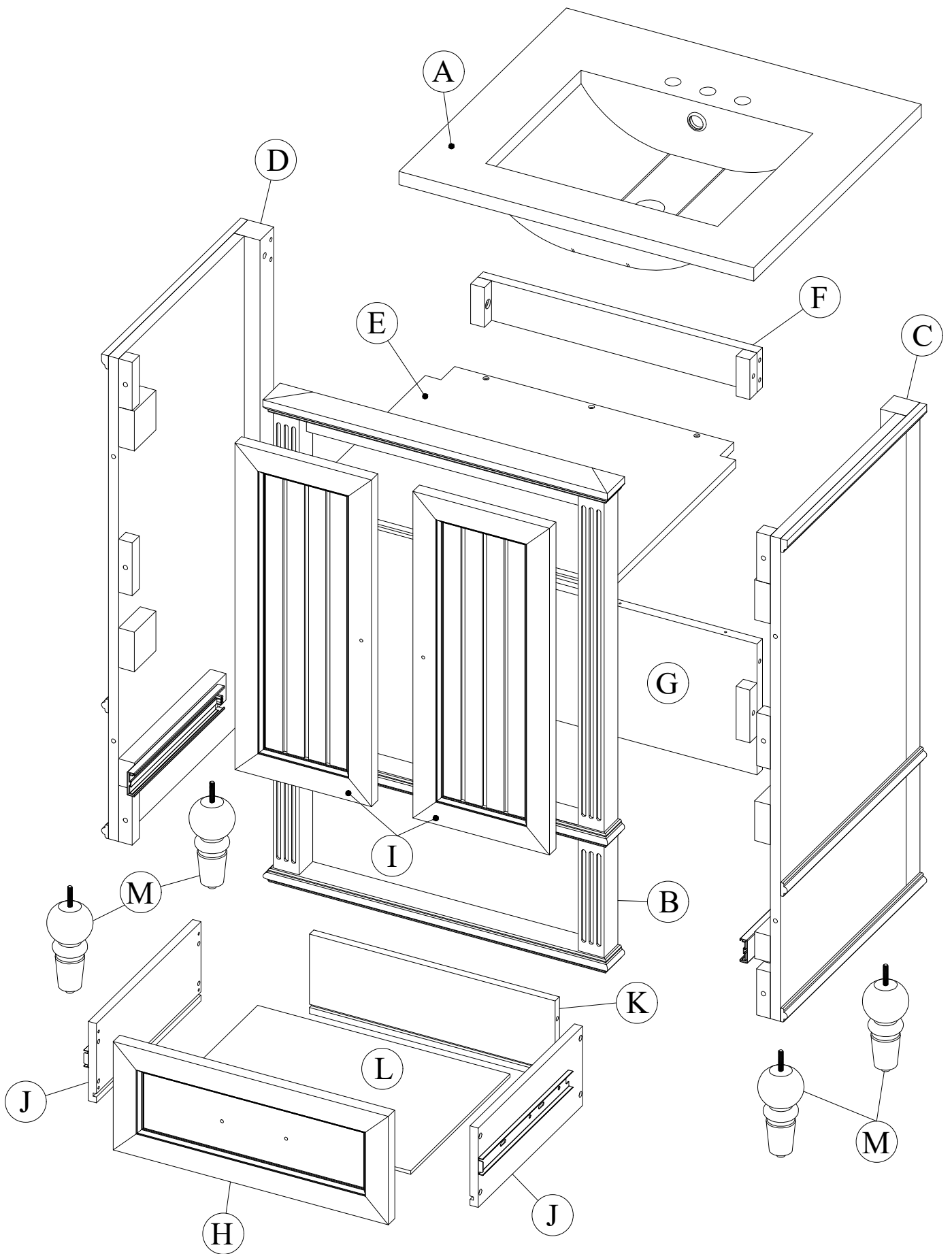
## ASSEMBLY INSTRUCTION:

1. Remove hardware from box and sort by size.
2. Please check to see that all hardware and parts are present prior start of assembly.
3. Please follow attached instruction in the same sequence as numbered assure fast and easy assembly.

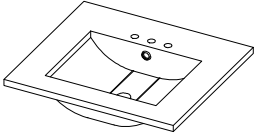
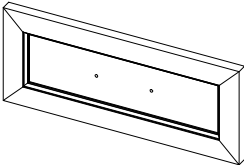
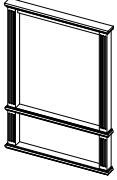
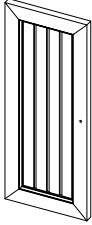
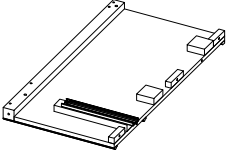
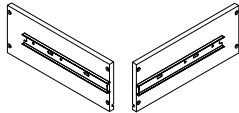
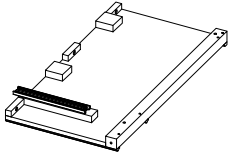

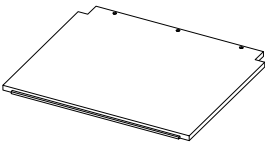
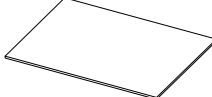
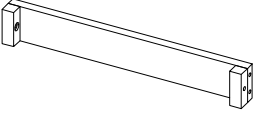
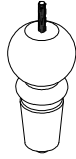
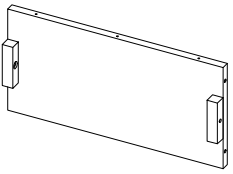
## WARNING!

1. Don't attempt to repair or modify parts that are broken or defective. Please contact the store immediately.
2. This products for home use only and not intended for commercial establishments.
3. Two persons are required for assembly.
4. Approximate assembly time 1/2 hours.
5. Component parts and fittings contained in the box. Please sort out all parts before you begin to assemble the item. This is to make sure you always use the correct part.
6. It is **STRONGLY RECOMMENDED** that you **ANCHOR** this product tooling furniture can cause serious injuries and death. To prevent your furniture from tipping forward it is strongly recommended that you securely attach this product to a wall other solid surface, using the anchor straps provided appropriate fixings.

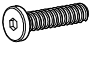


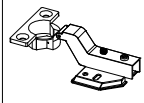
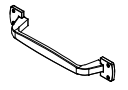


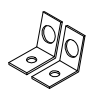



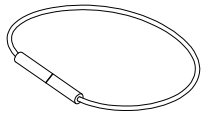


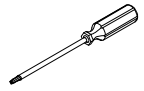

# DETAIL VIEW



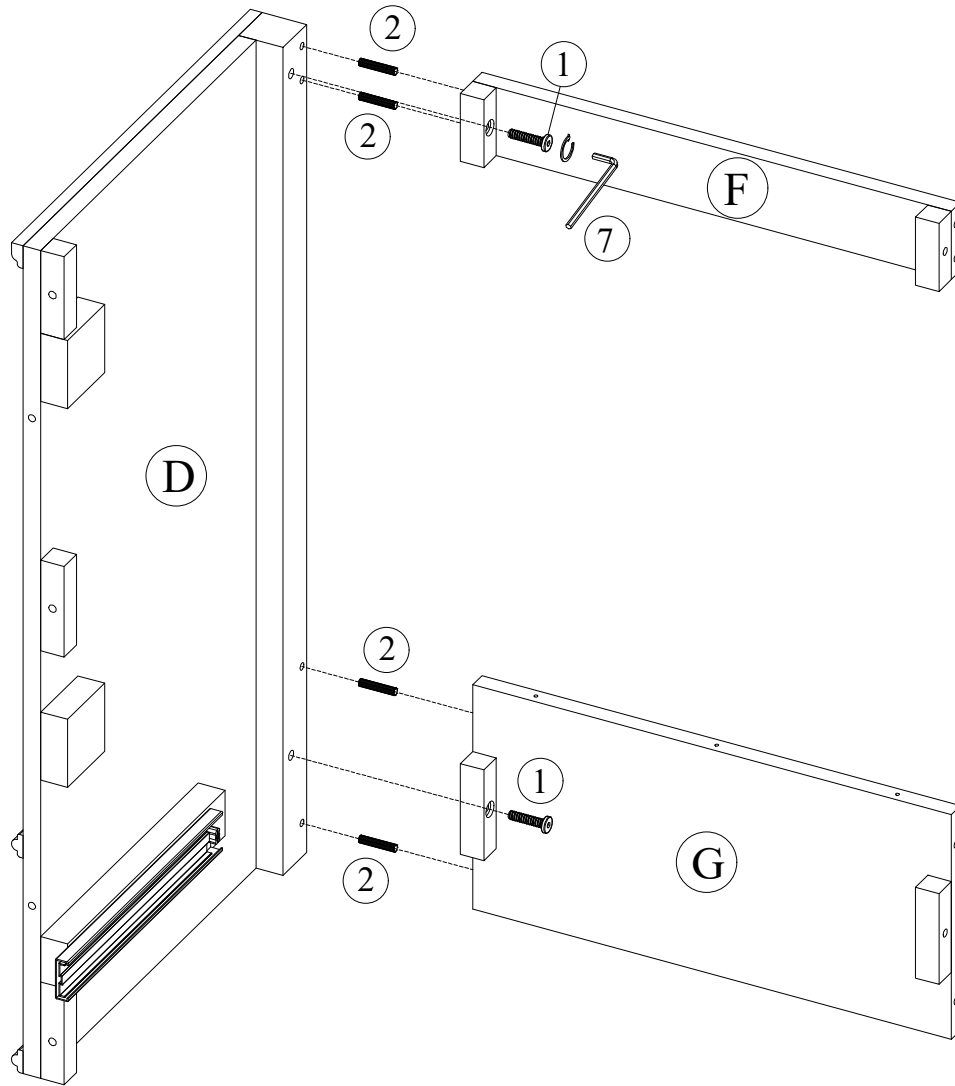
# PART LIST

No.	Component		Q'ty	No.	Component		Q'ty
A		Sink	1	H		Drawer Front	1
B		Front	1	I		Doors (R/L)	2
C		Side panel (right)	1	J		Drawer sides (R/L)	2
D		Side panel (left)	1	K		Drawer back	1
E		Bottom	1	L		Drawer bottom	1
F		Back panel (top)	1	M		Legs	4
G		Back panel (bottom)	1				

# HARDWARE LIST

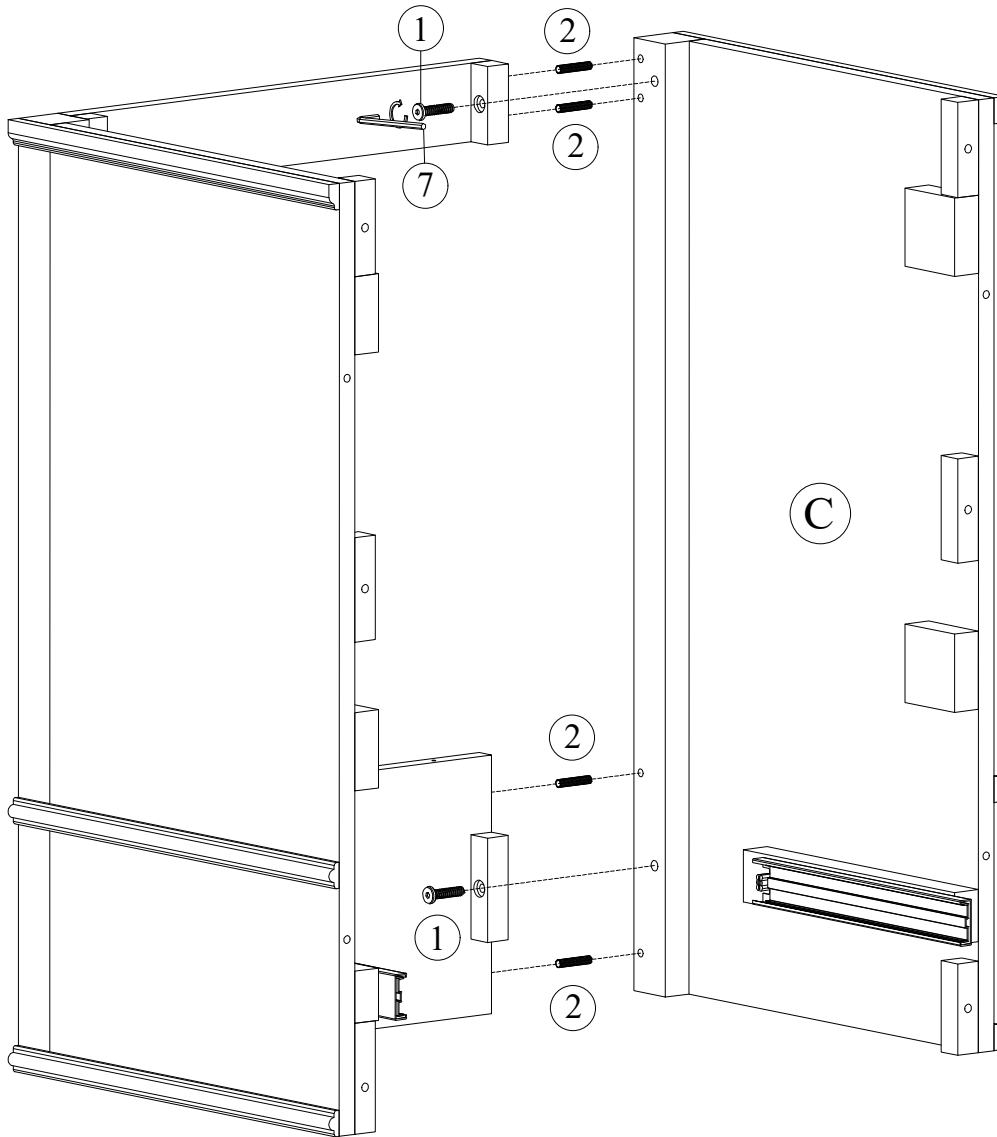
No.	Hardware		Q'ty	No.	Hardware		Q'ty
1		Allen Bolts 1/4"x35	10	7		Allen key	1
2		Wooden dowels	20	8		Hinges	4
3		Handle	1	9		Screws 4x15	24
4		Knob	2	10		   	Wall brackets 1 set
5		Bolts M4x25	4		a      b      c      d      e		
6		Screws 4x25	11			Not included	
						Silicone	

**STEP 1**



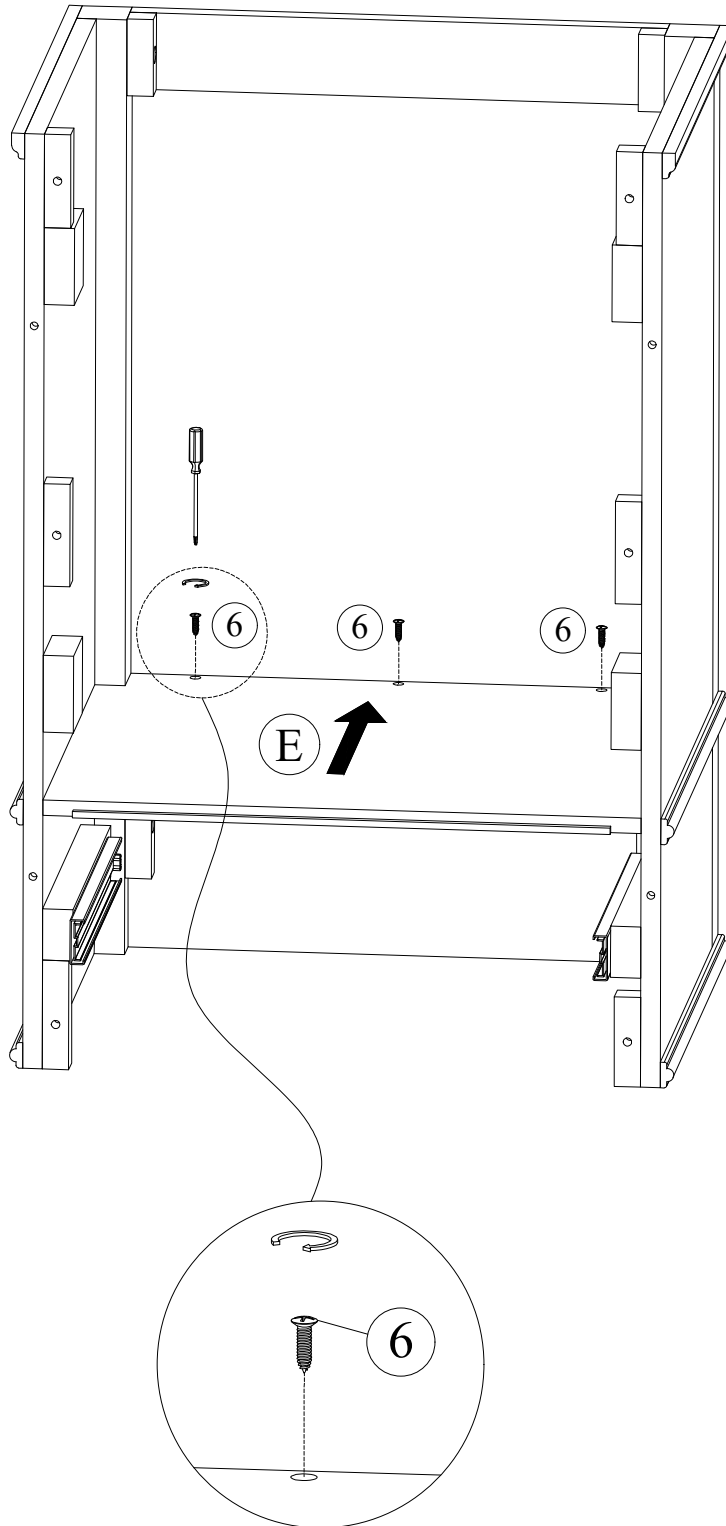
No.	Hardware	Q'ty
1	Allen Bolts 1/4"x35	2
2	Wooden dowels	4
7	Allen key	1

STEP 2



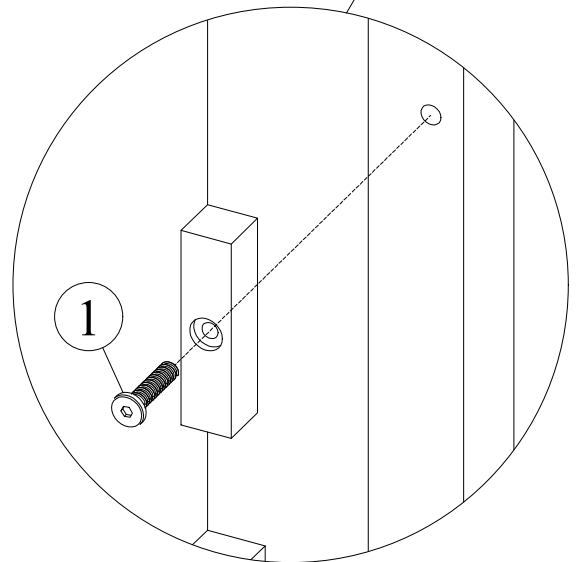
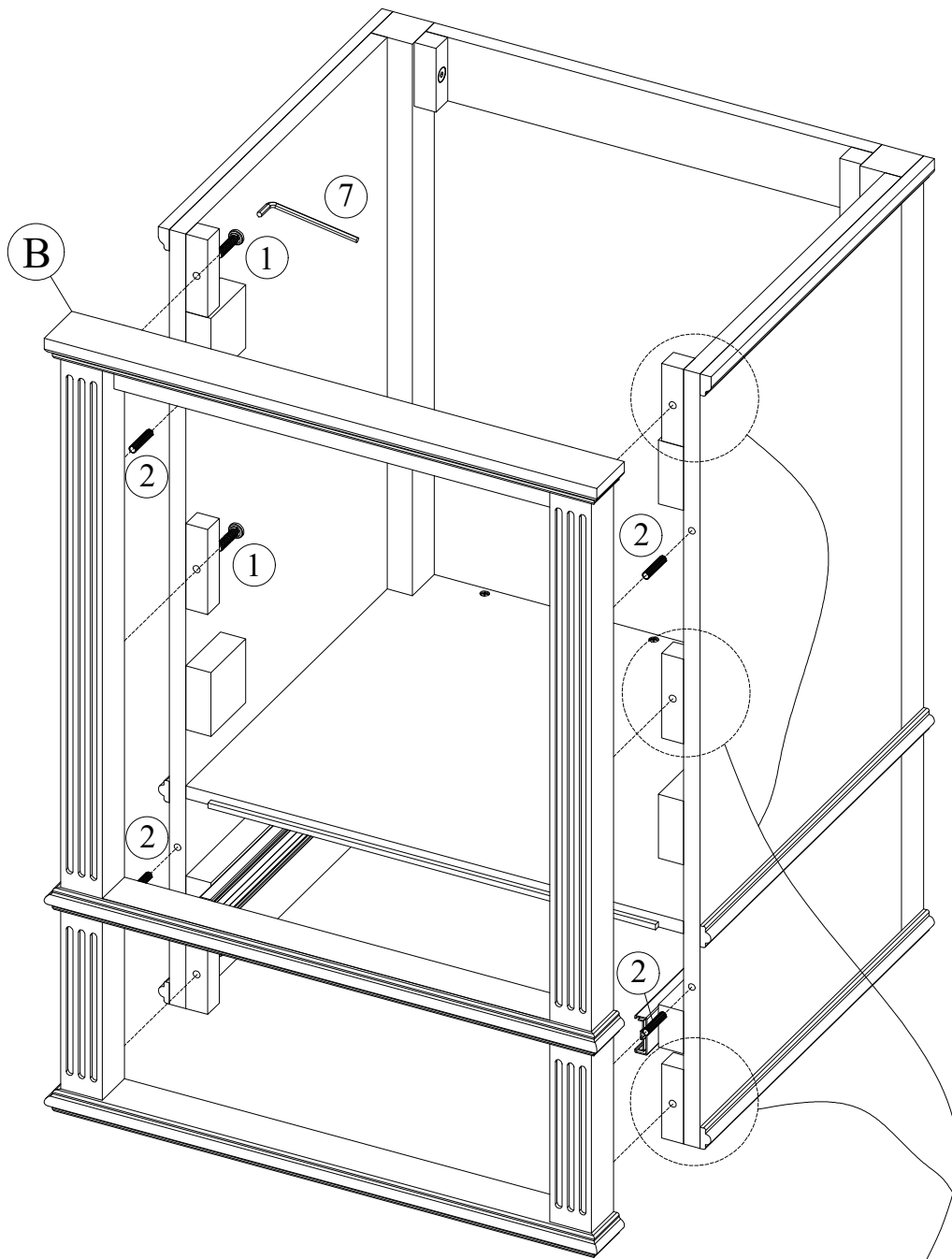
No.	Hardware	Q'ty
1	Allen Bolts 1/4"x35	2
2	Wooden dowels	4
7	Allen key	1

**STEP 3**



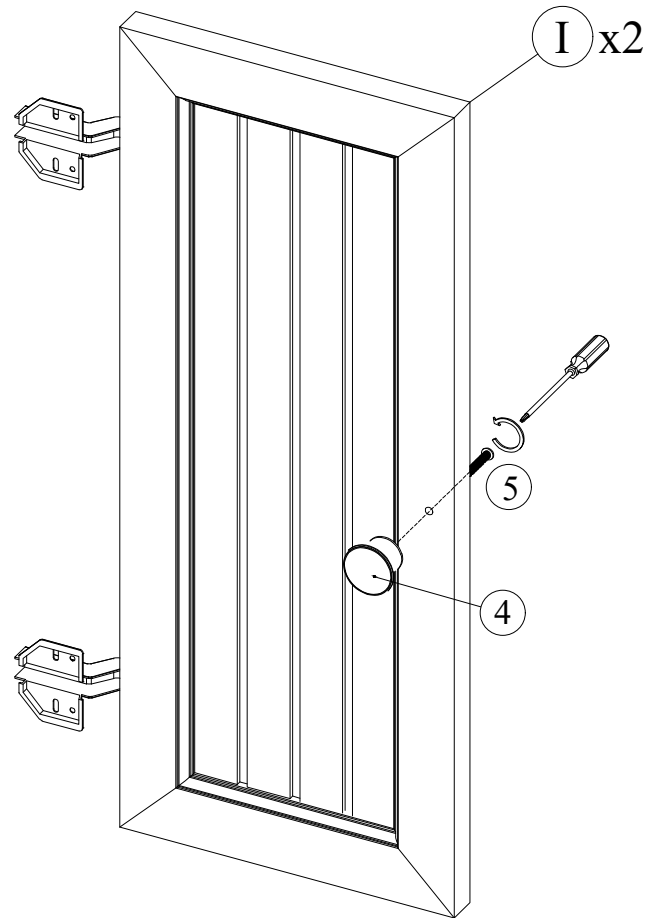
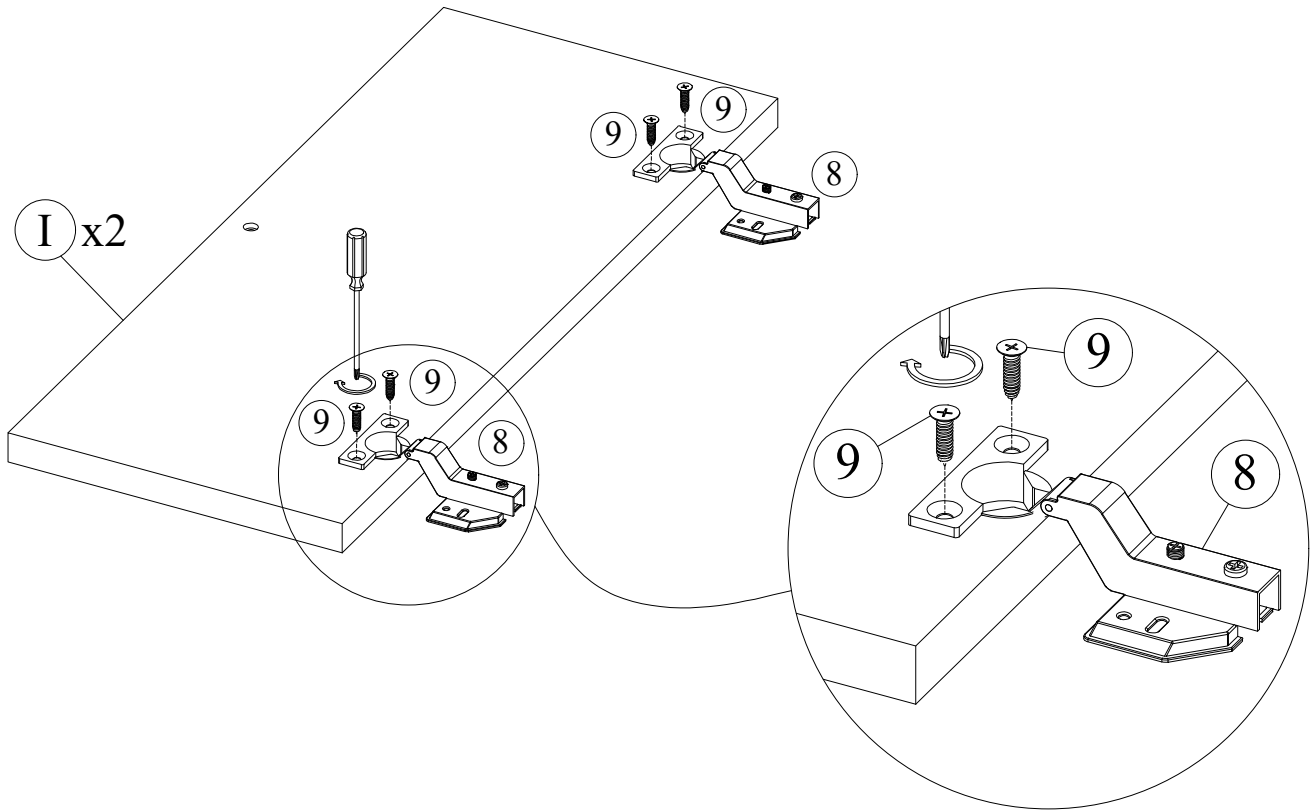
No.	Hardware	Q'ty
6	Screws 4x25	3

**STEP 4**



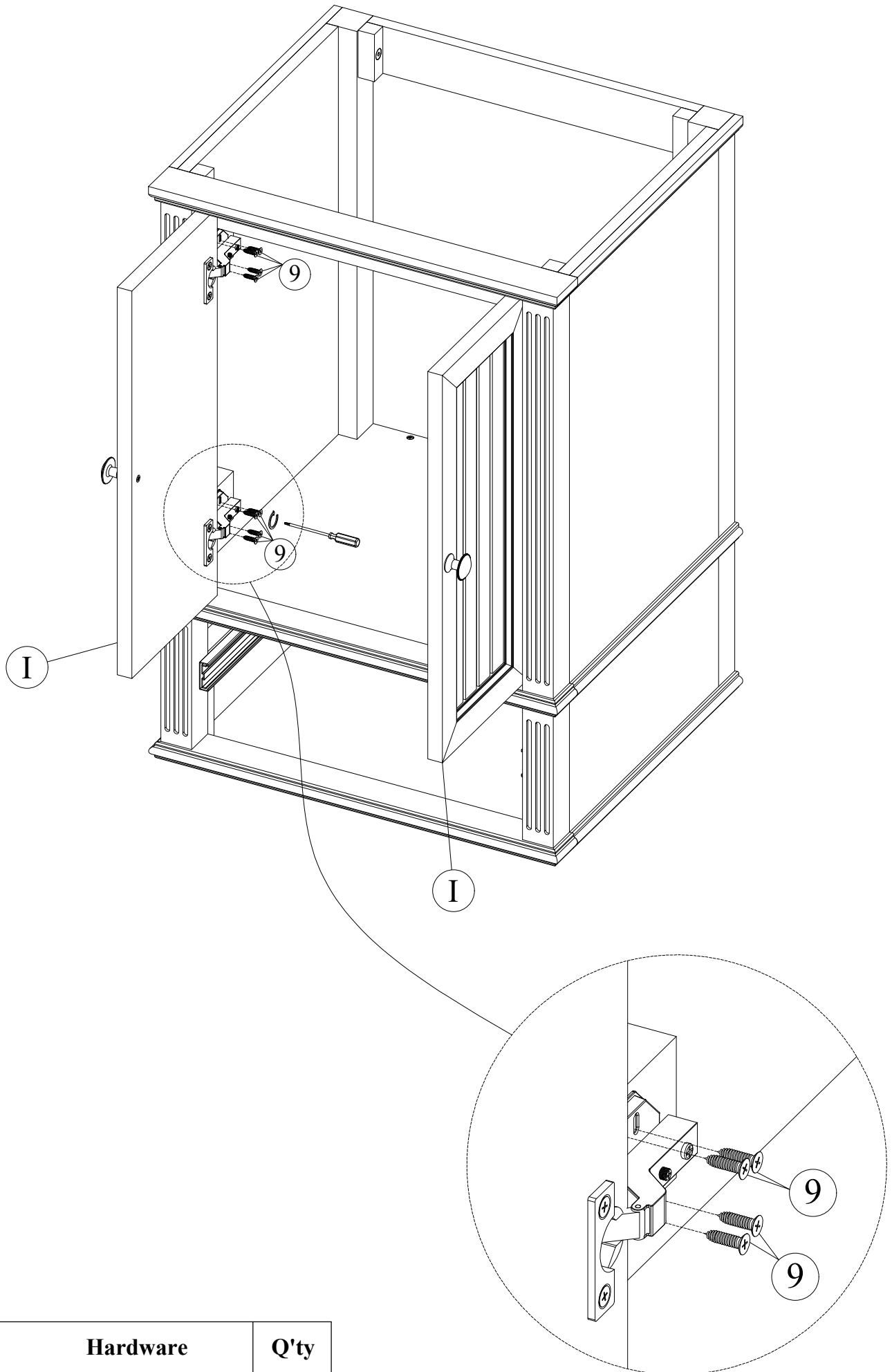
No.	Hardware	Q'ty
1	Allen Bolts 1/4"x35	6
2	Wooden dowels	4
7	Allen key	1

STEP 5



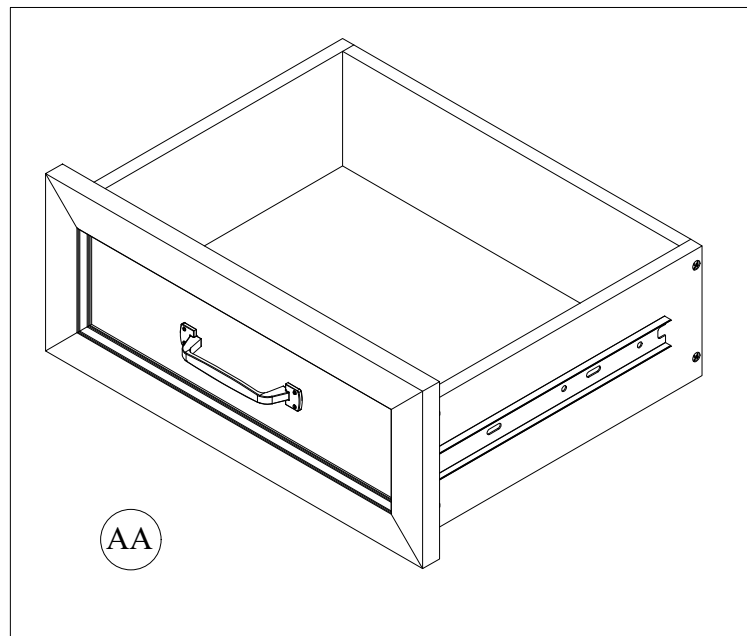
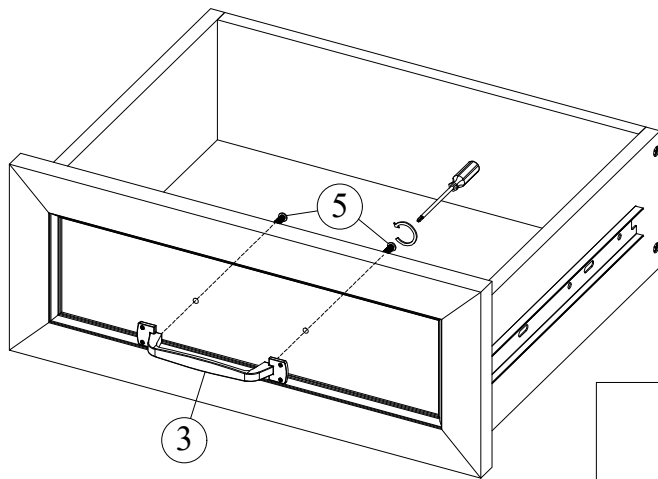
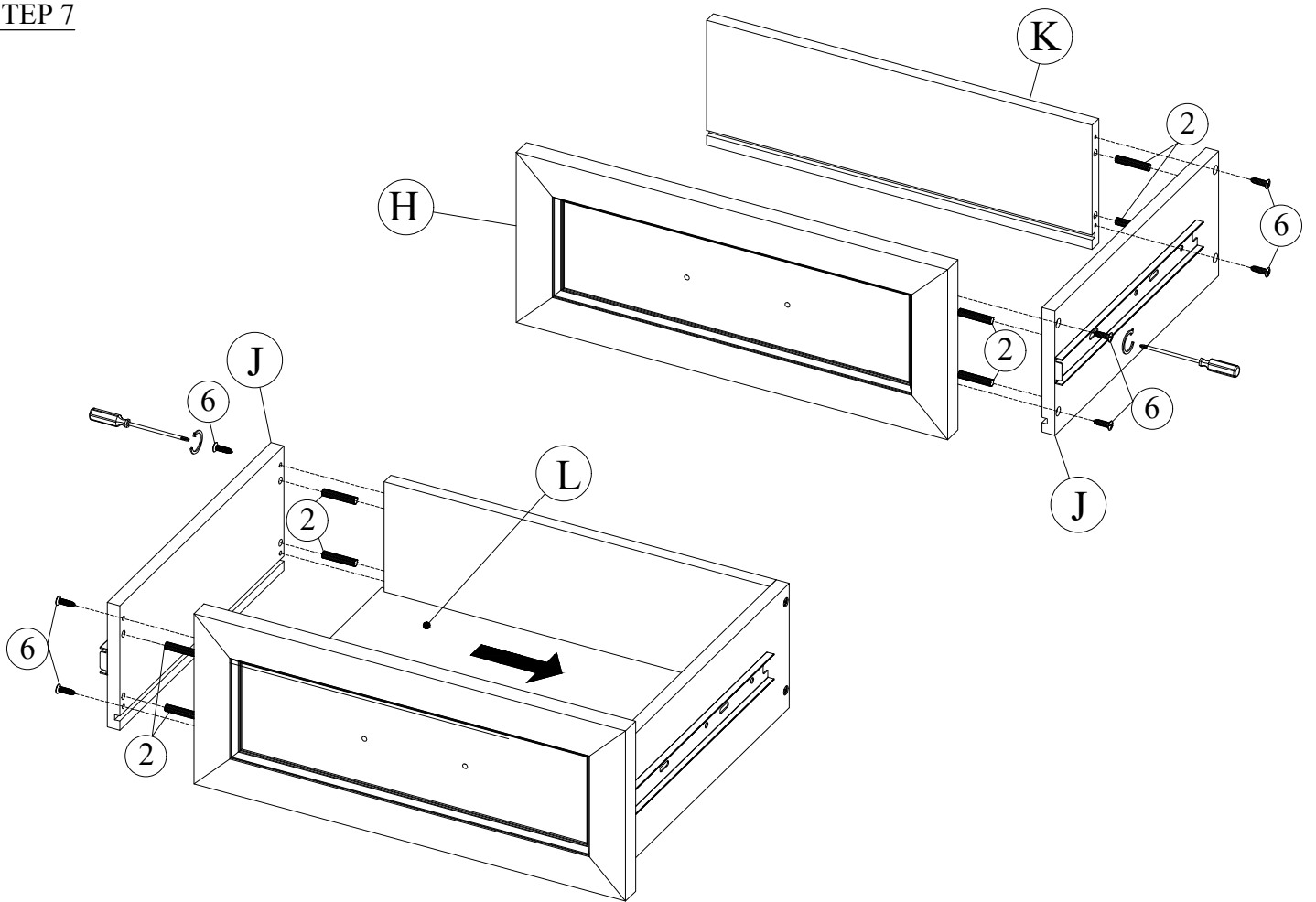
No.	Hardware	Q'ty
4	Knob	2
5	Bolts M4x25	2
8	Hinges	4
9	Screws 4x15	8

STEP 6



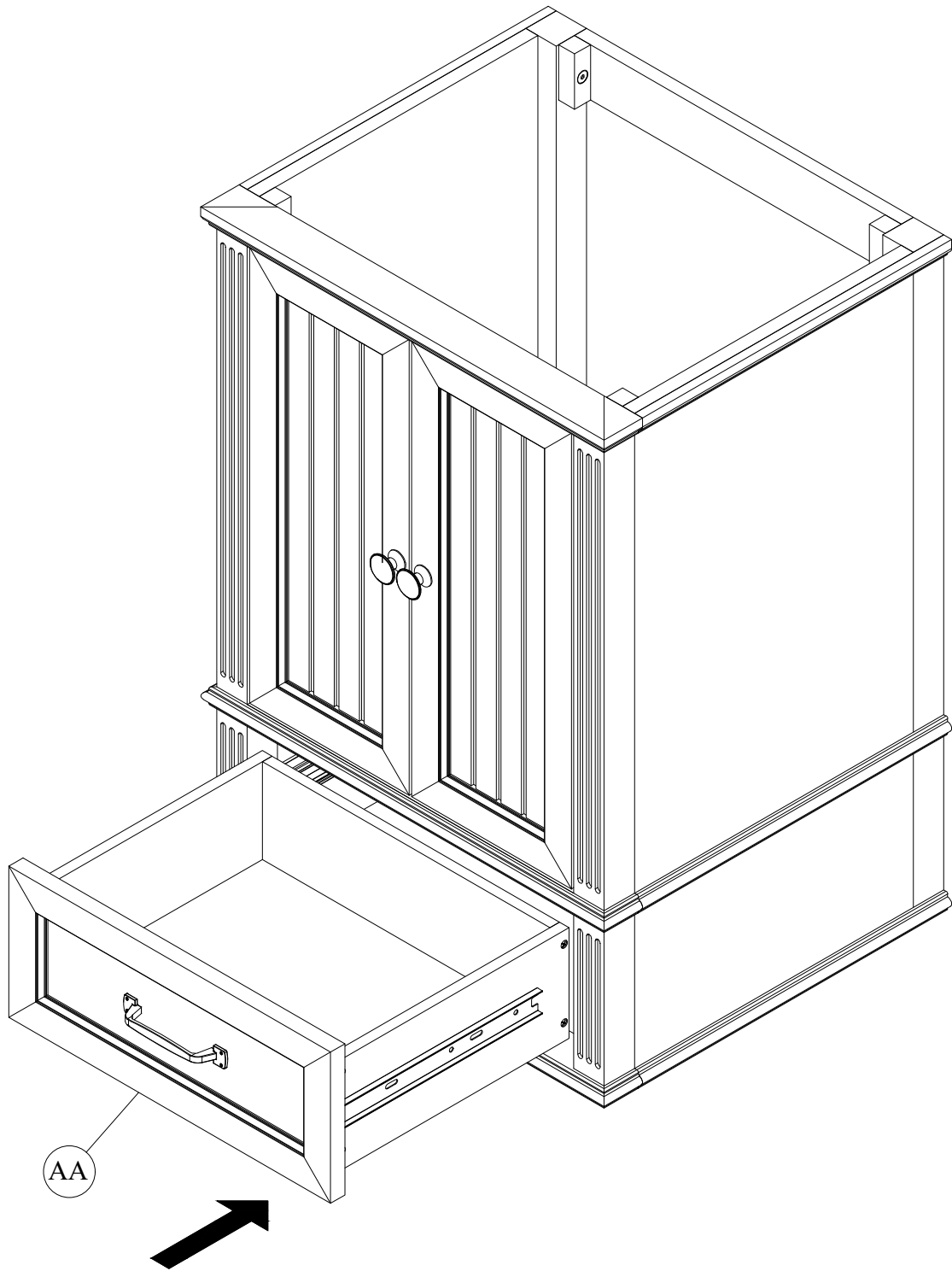
No.	Hardware	Q'ty
9	Screws 4x15	16

STEP 7

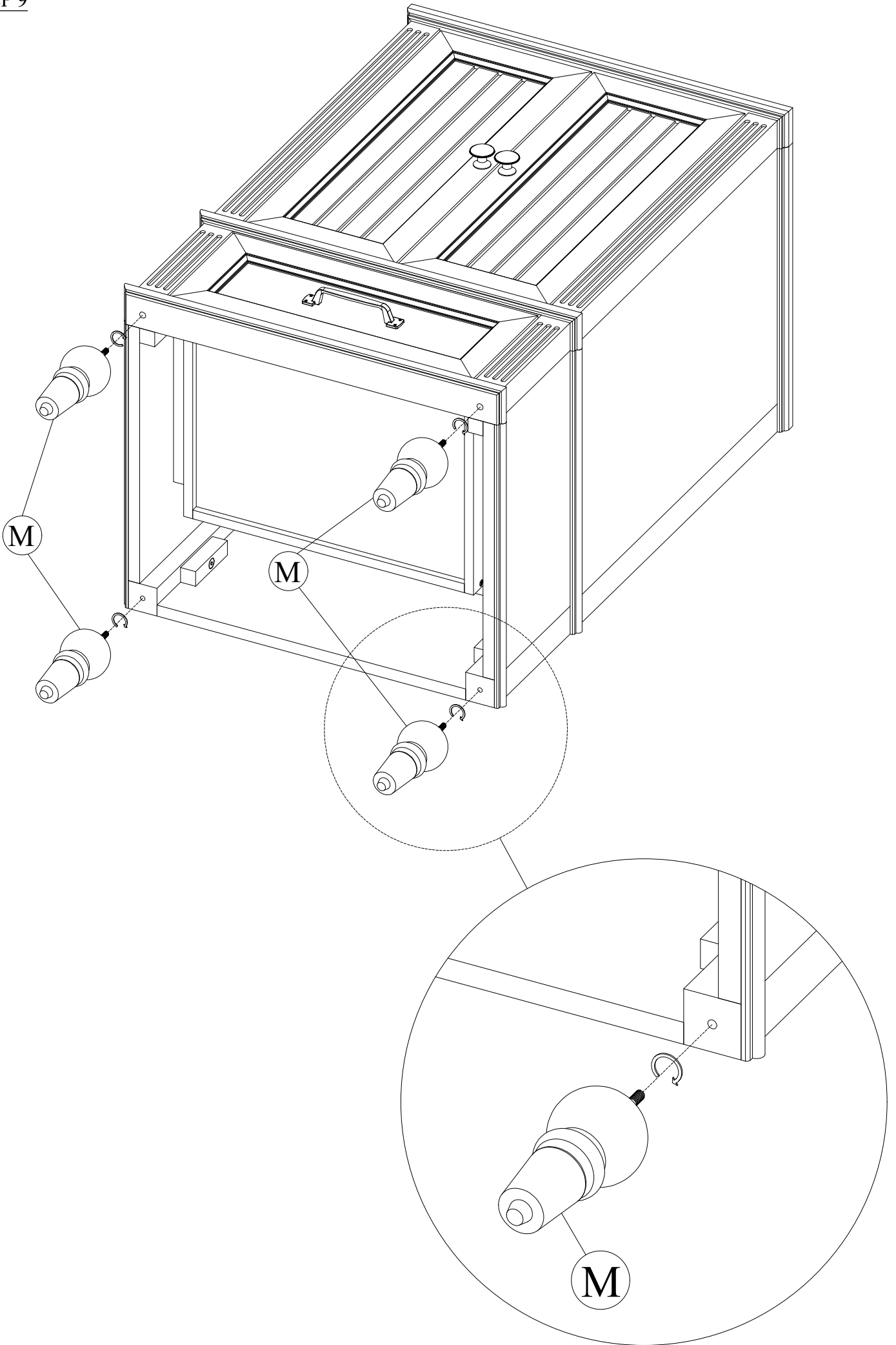


No.	Hardware	Q'ty
3	Handle	1
5	Bolts M4x25	2
2	Wooden dowels	8
6	Screws 4x25	8

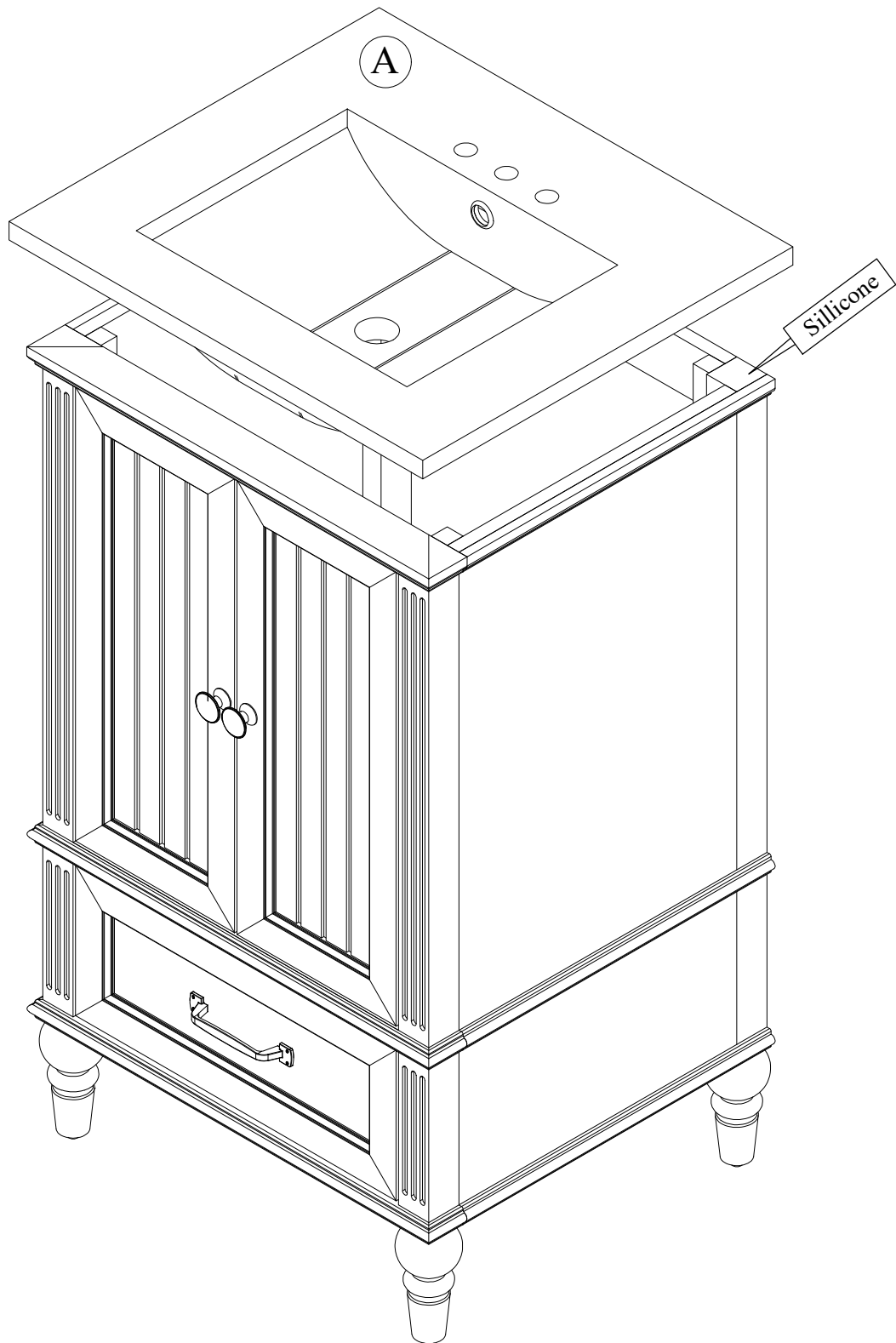
STEP 8



STEP 9

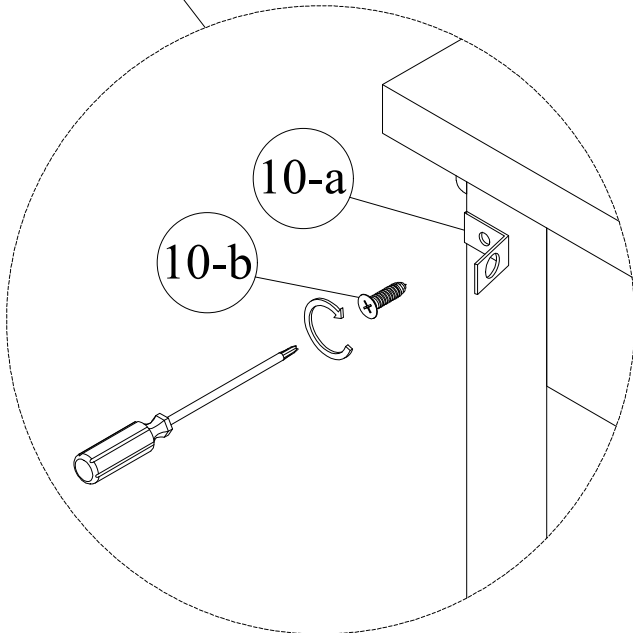
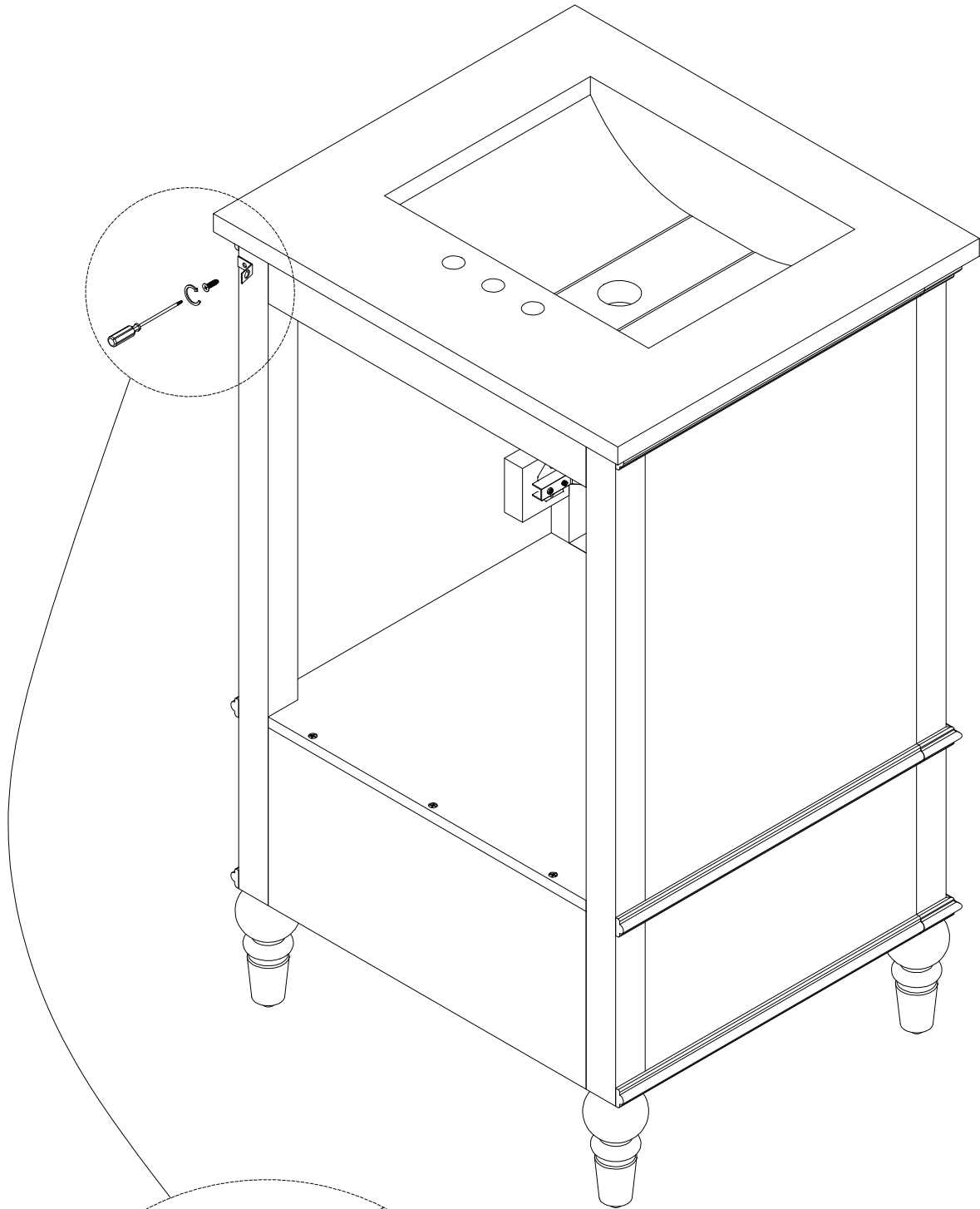




**STEP 10**



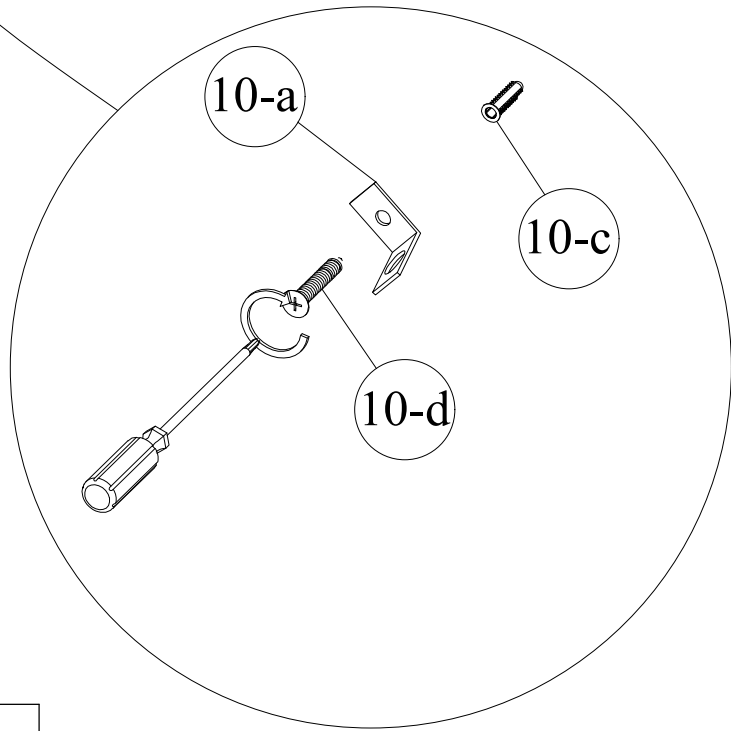
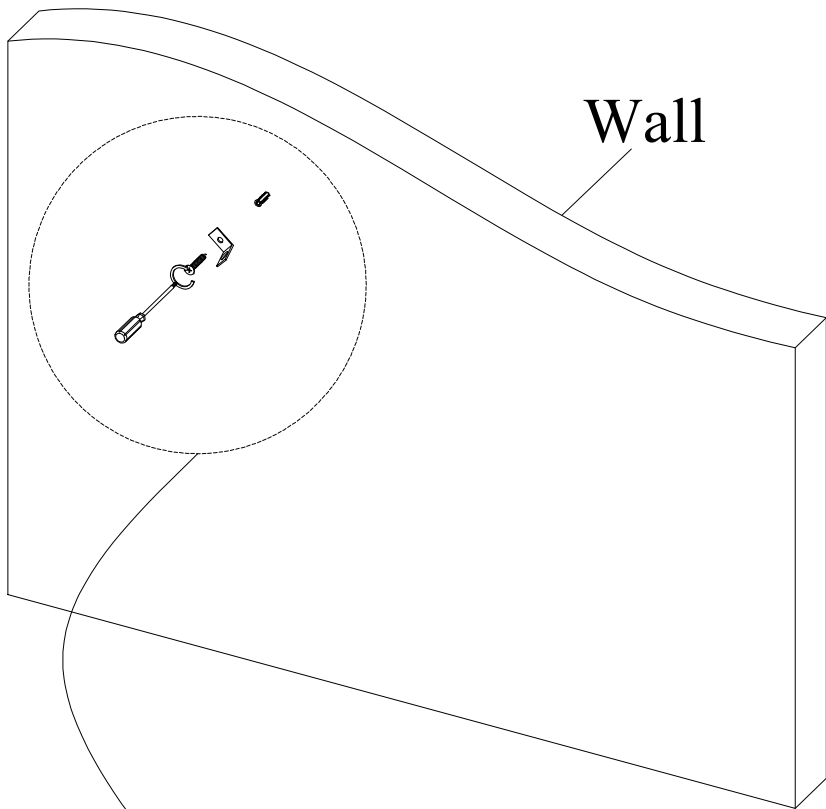
**Install the Sink on the cabinet with glue.  
Let stand for 24 hours.  
Apply silicone caulk to the top edge of the wood cabinet.  
With the help of another adult, gently lower the Sink top with  
assembled sink onto the cabinet.**




STEP 11



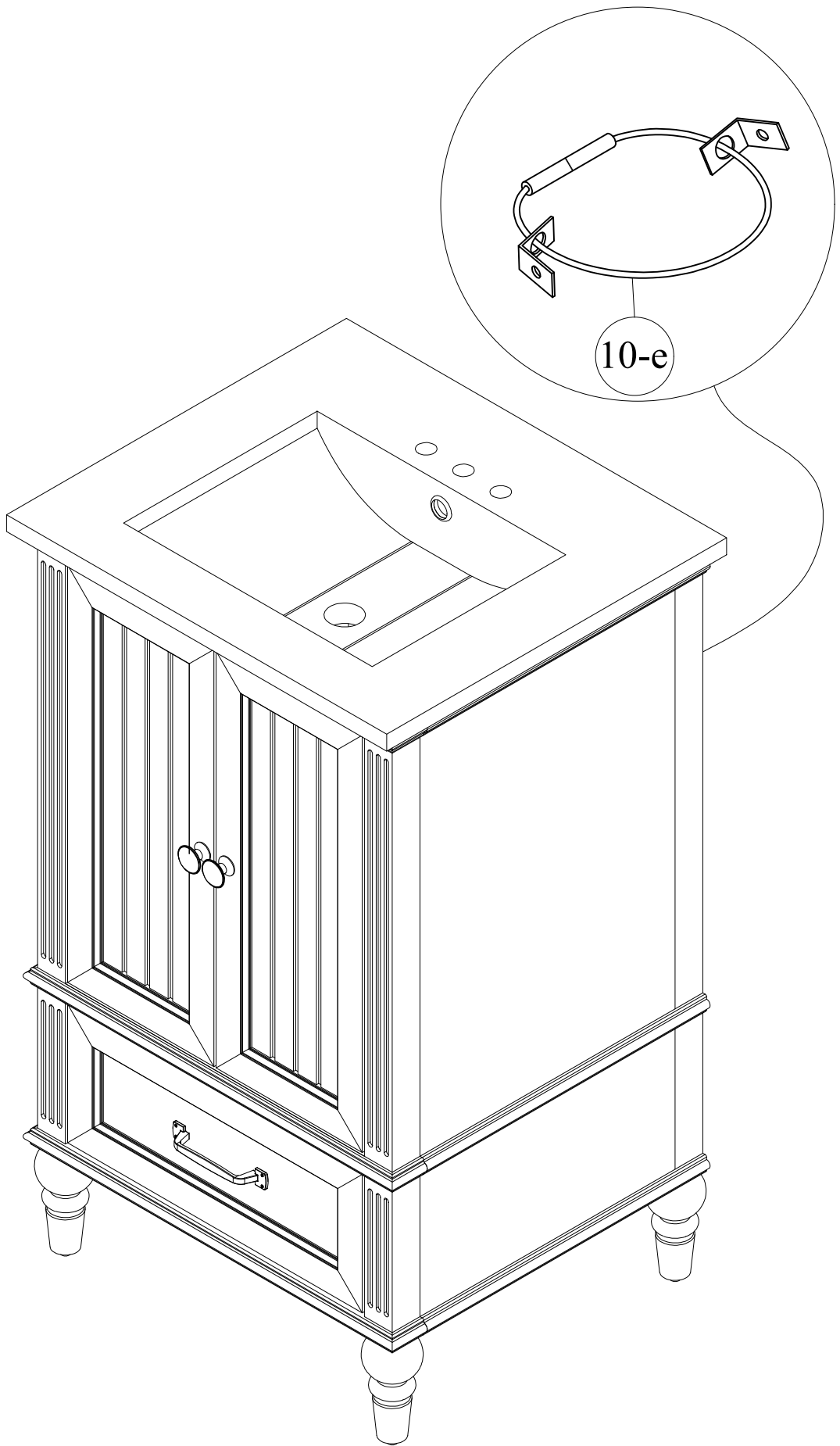
No.	Hardware	Q'ty
10-a		1
10-b		1

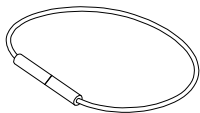
STEP 12



No.	Hardware	Q'ty
10-a		1
10-c		1
10-d		1

STEP 13



No.	Hardware	Q'ty
10-e		1

# FINISH

