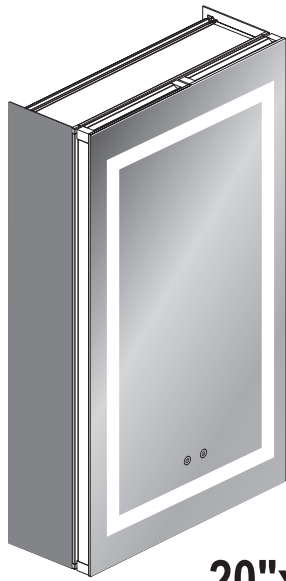
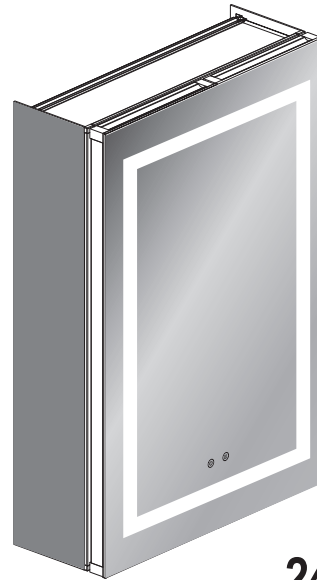


INSTALLATION INSTRUCTIONS

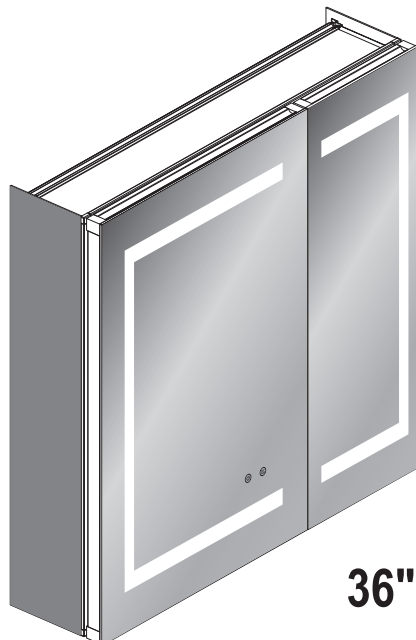
LIGHTED MEDICINE CABINET



20"x28"



24"x30"



36"x24"



Installation Recommendation:

We recommend hiring a professional electrician for the installation.

Contact US: Findepot@outlook.com (USA/CAN)

IMPORTANT SAFETY INSTRUCTIONS

When using an electrical furnishing, basic precautions should always be followed, including the following:

Read all instructions before using (this furnishing).

DANGER – To reduce the risk of electric shock:

1. Always unplug this furnishing from the electrical outlet before cleaning or servicing.

WARNING – To reduce the risk of burns, fire, electric shock, or injury to persons:

2. Unplug from outlet before putting on or taking off parts.

3. Close supervision is necessary when this furnishing is used by, or near children, invalids, or disabled persons.

4. Use this furnishing only for its intended use as described in these instructions.

Do not use attachments not recommended by the manufacturer.

5. Never operate this furnishing if it has a damaged cord or plug, if it is not working properly, if it has been dropped or damaged, or dropped into water. Return the furnishing to a service center for examination and repair.

6. Keep the cord away from heated surfaces.

7. Never operate the furnishing with the air openings blocked. Keep the air openings free of lint, hair, and the like.

8. Never drop or insert any object into any opening.

9. Do not use outdoors.

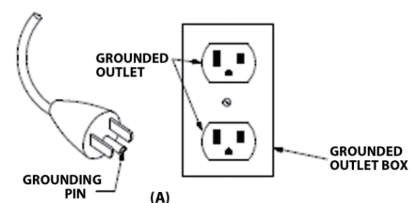
10. Do not operate where aerosol (spray) products are being used or where oxygen is being administered.

11. To disconnect, turn all controls to the off position, then remove plug from outlet.

12. For grounded products the following statement:

"WARNING: Risk of Electric Shock – Connect this furnishing to a properly grounded outlet only. See Grounding Instructions." This product is for use on a nominal 120-volt circuit and has a grounding plug that looks like the plug illustrated as below, Make sure that the product is connected to an outlet having the same configuration as the plug.

No adapter should be used with this product.



13. Mount furnishings at the correct height.

14. Mount only approved work surfaces and secondary surfaces (shelves) in accordance with instructions.

Failure to do so may cause instability, collapse, or failure of electrical components.

[Applicable to furnishings that are not provided with a work surface and/or secondary surfaces (shelves)].

WARNING AND SAFETY INSTRUCTIONS

Before assembling your LED Lighted Mirror fixture, please make sure that you carefully read through this instruction sheet, refer back to them during installation to ensure your product is fitted safely and correctly. Keep these instructions for future use.

WARNING Risk of Fire and Electric Shock

- All fittings must be installed in accordance with current IEE wiring regulations. If in doubt, consult a qualified electrician.
- Switch off the electrical supply at the main circuit board BEFORE installation and maintenance.
- Suitable for indoor use only. This product should be positioned well away from curtains and fabrics. Never cover the mirror.
- Regularly check the cord, the transformer and all other parts for damage. If any part is damaged the product should not be used.

INSTALLATION SAFETY

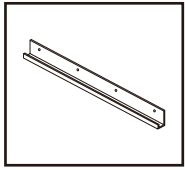
- Inspect the product immediately upon receipt for transit damage or missing parts. Handle the product with care and protect against knocks to all sides and edges of the glass.
- Ensure there are no hidden pipes or cables in the wall before drilling.
- Wear suitable eye protection when drilling. Take care if drilling on tiled surfaces in case the drill slips.



The light source of this product is non-changeable light diodes (LED). Do not disassemble the product, as the light diodes can cause damage to the eyes.

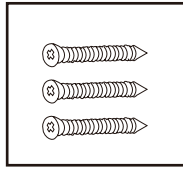
NOTE: The important safeguards and instructions that appear in this manual are not meant to cover all possible conditions and situations that may occur: It must be understood that common sense, caution and care, are factors that can't be built into any product. These factors must be supplied by the person(s) caring for and operating the fixture. Do not install this fixture in hazardous locations.

HARDWARE AND TOOLS



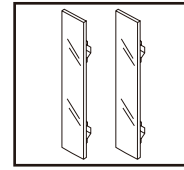
Bottom mounting bracket

QTY: 1-2 (PCS)



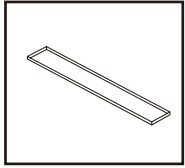
Hardware screw

QTY: 4-10 (PCS)



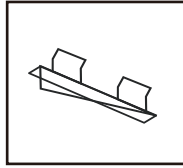
Glass side panel

QTY: 2 (PCS)



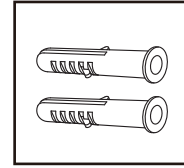
Glass Shelf

QTY: 2-4 (PCS)



Shelf support bracket

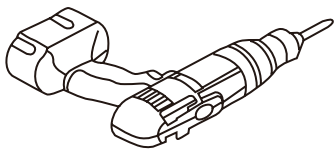
QTY: 7-10 (PCS)



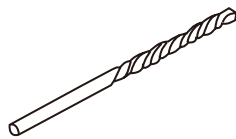
Wall Plug

QTY: 4-10 (PCS)

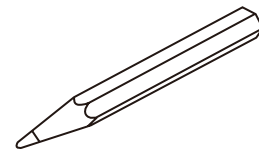
TOOLS YOU MAY NEED



Electric Drill



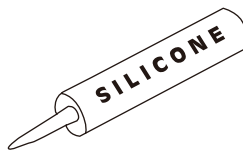
1/8" Drill Bit



Pencil or Marker



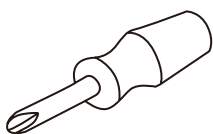
Toothless flat nose plier



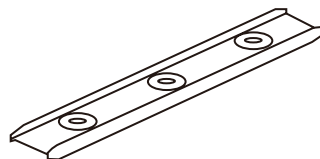
Silicone



Tape Measure



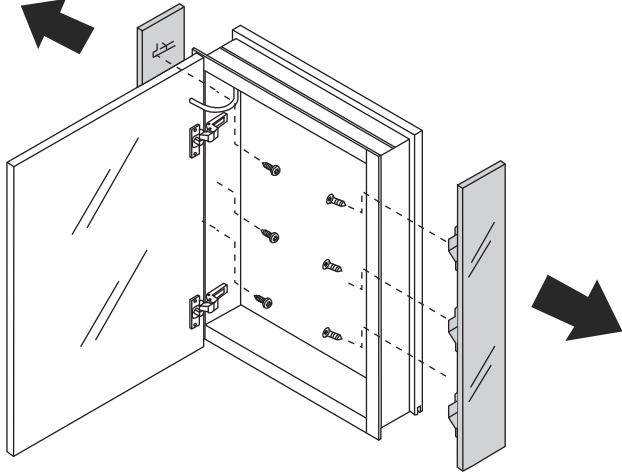
Screw Driver



Lever

PRIOR TO MOUNTING

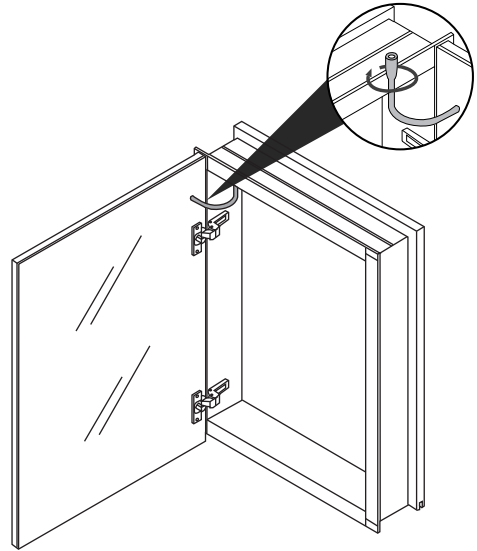
1



For recess mount only!

Carefully remove side mirror panels for recess mount installation.

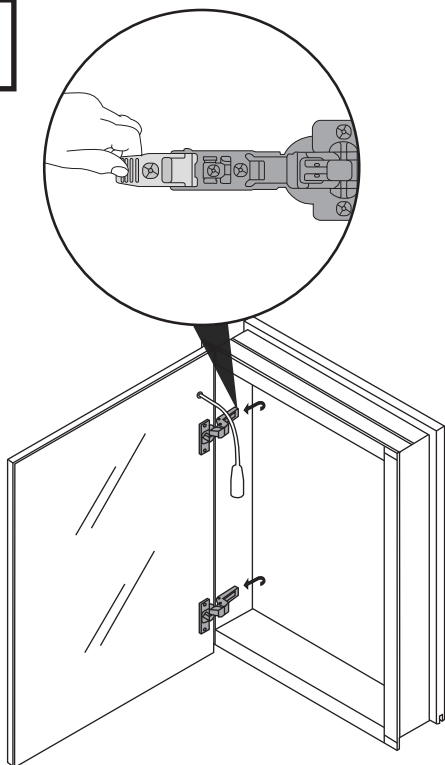
2



It is not necessary to remove the door, if the size is large, you can choose to remove doors for easy mounting

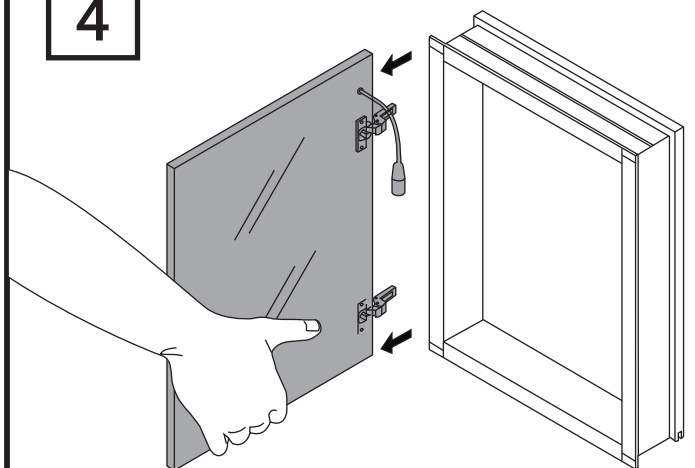
Remove door(s) prior to mounting your cabinet. Start with unplugging the door from the cabinet.

3



While supporting the door release (the lever under the hinge arm), slide the door off the frame.

4



Take off the door(s) carefully and lay it down on a safe area.

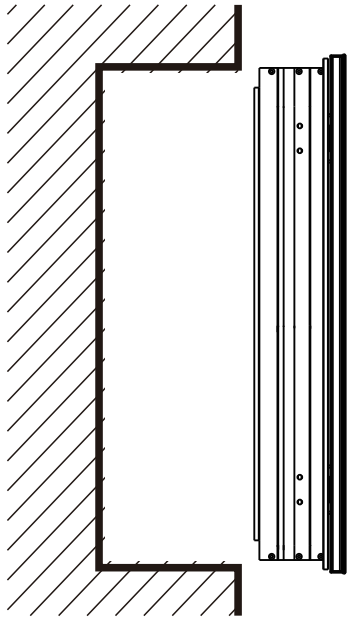


Note:

The steps for removing the mirror door are the same as for installing it.

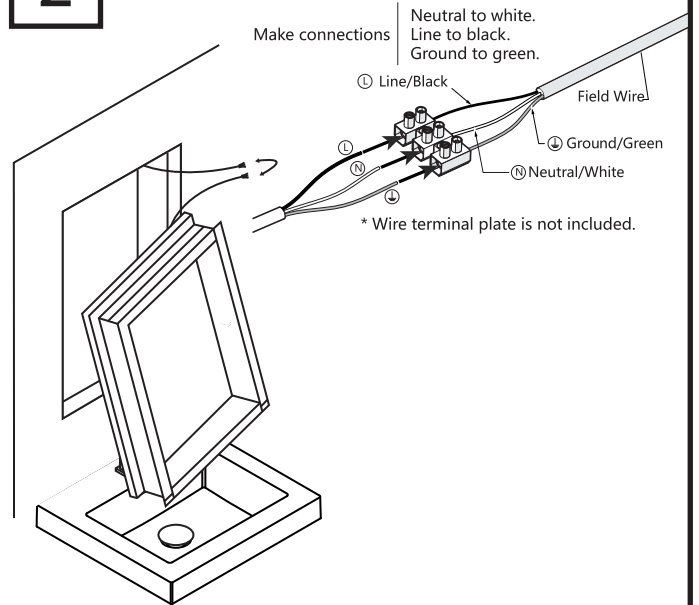
RECESS MOUNT INSTALLATION CONTINUED

1



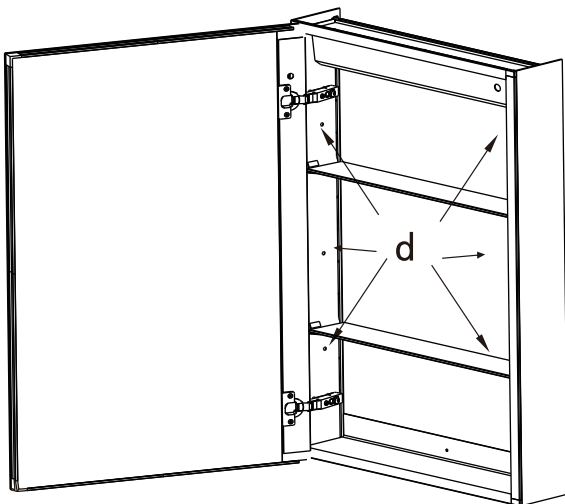
Frame the opening for the cabinet based on the measurements.

2

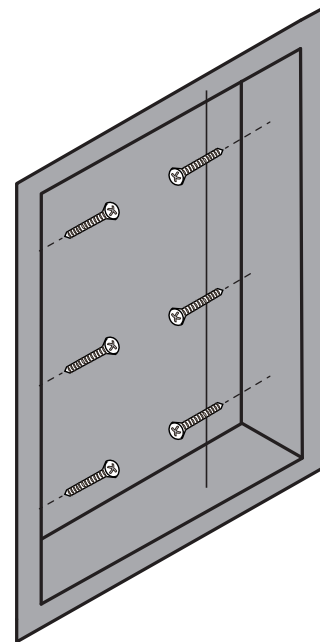


Connect electrical wires before inserting the cabinet into the opening.

3

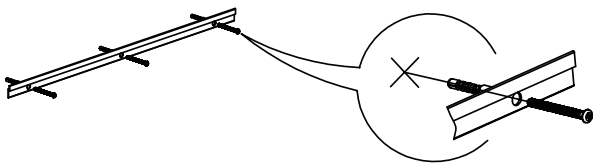
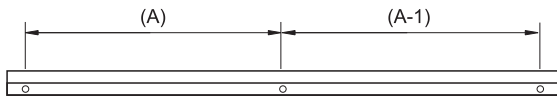


Affix using hardware screws into the studs.



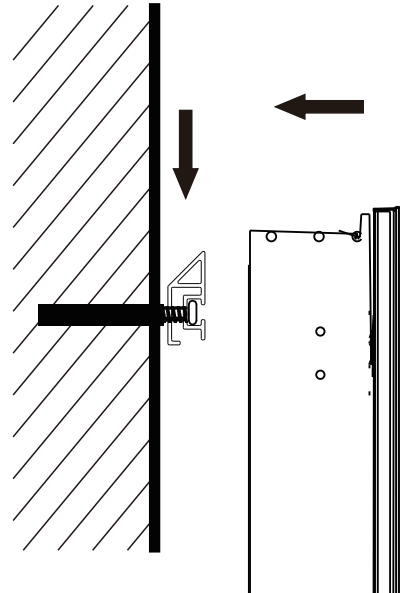
SURFACE MOUNT INSTALLATION

1

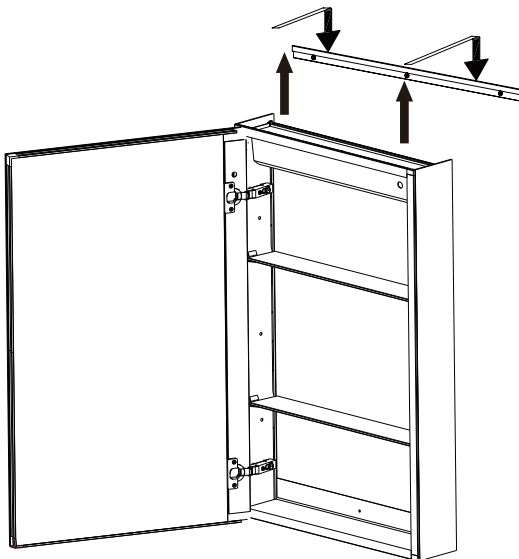


Measure the distance between the 2 marks.
Level & mark the drilling holes on the wall.
Put the aluminum bracket aside.

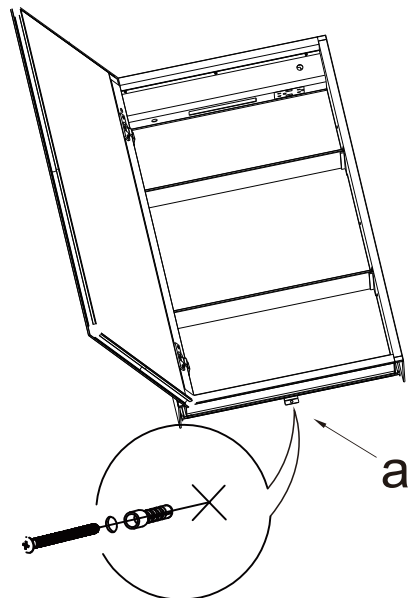
2



3



Pick up the mirror cabinet with two people. Place the cabinet against the wall & slide down the mirror so the aluminum bracket safely gets inside the cabinet's top frame.



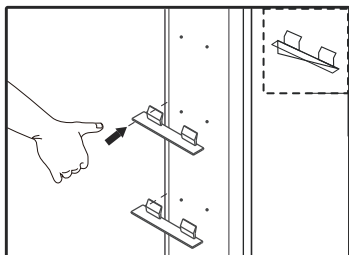
Drilling the screws into this bracket to hold on the cabinet on the wall.

Use the built-on plug to connect to power directly.
When the Plug is connected to the power supply, the ON/OFF button
Lights white and the power is on.

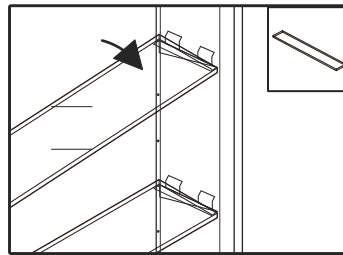


FINAL ASSEMBLY

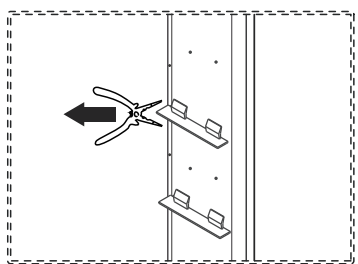
1. Insert clear snap in shelf clips into holes on the sides of the cabinet cabinet.



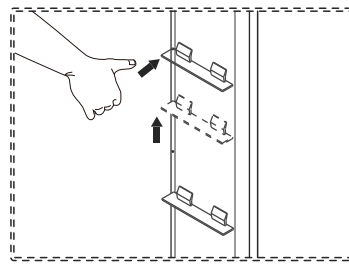
① Align the support bracket with the pre-drilled holes inside the mirror cabinet to install the stabilizing bracket.



② Once the support bracket is fixed, place the glass shelf onto the bracket.

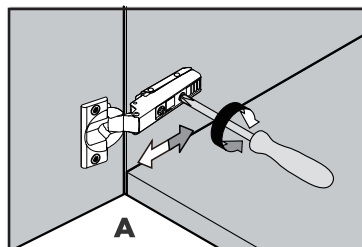
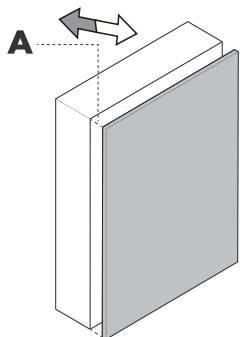


③ You can use pliers to remove the support bracket.



④ The support bracket can be adjusted freely according to the pre-drilled holes inside.

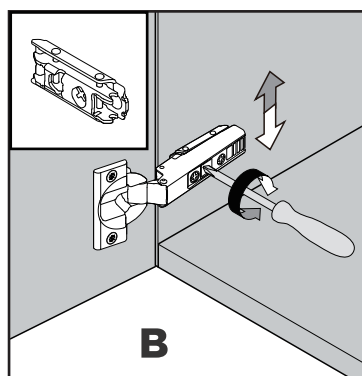
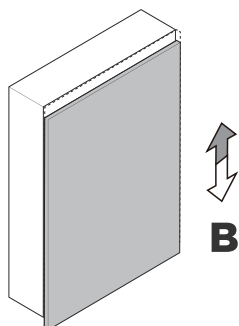
OPTIONAL DOOR ADJUSTMENT



Adjusting the Mirror Door Extension Distance (Inward/Outward)

1. Rotate the screwdriver inward to move the mirror door inward.
 2. Rotate the screwdriver outward to move the mirror door outward.
- Counting from outside to inside, rotate the third screw:

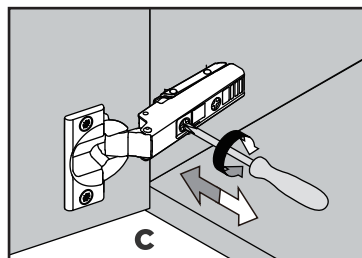
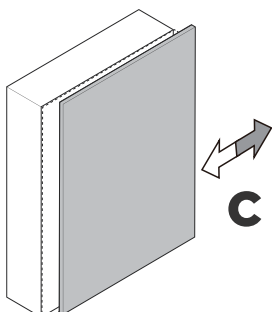
The steps are the same, only distinguishing between turning the screwdriver left or right.



Adjusting the Mirror Door Vertical Distance (Up/Down)

1. Rotate the screwdriver inward to move the mirror door upward.
 2. Rotate the screwdriver outward to move the mirror door downward.
- Counting from outside to inside, rotate the second screw:

The steps are the same, only distinguishing between turning the screwdriver left or right.

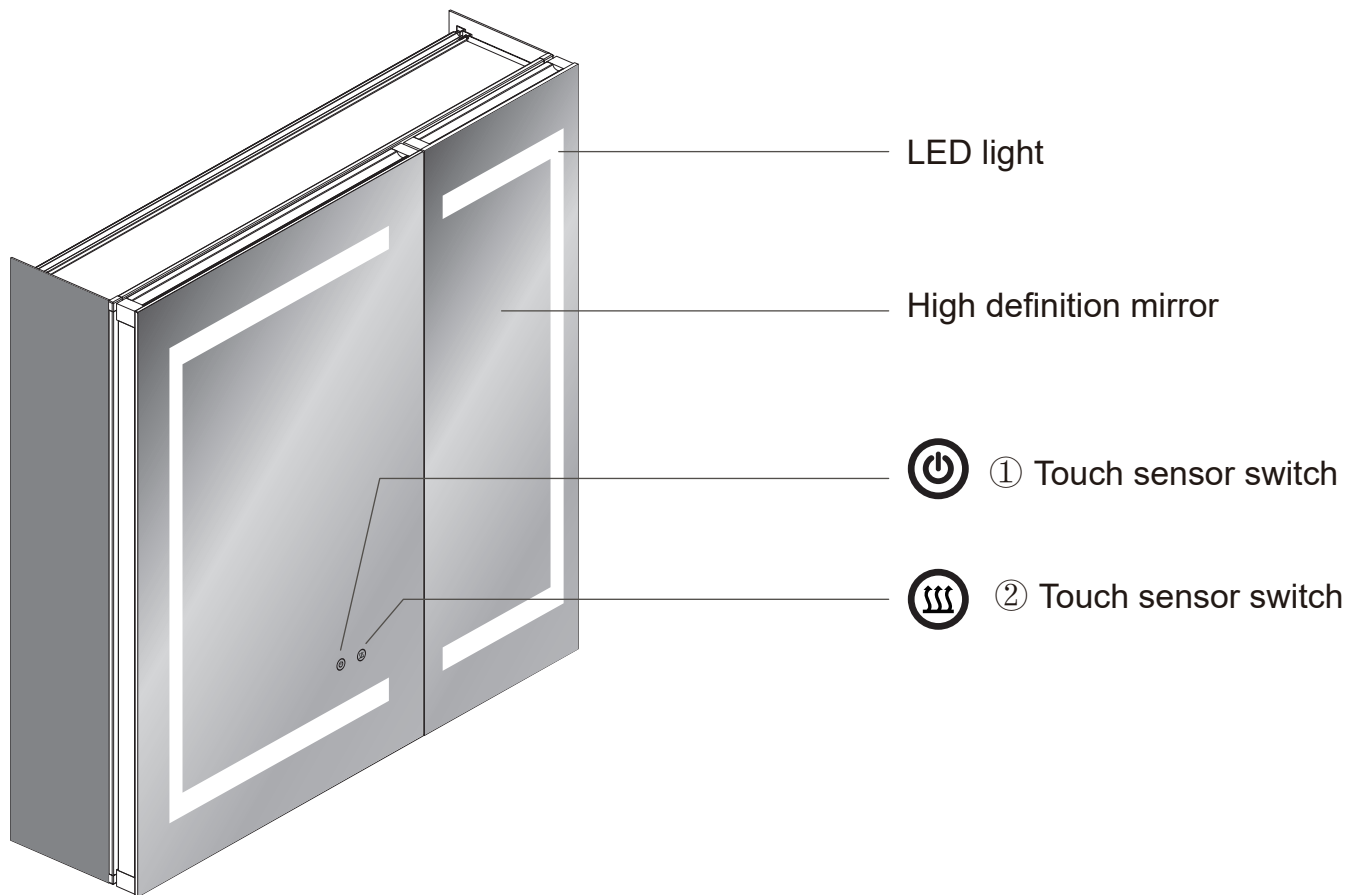


Adjusting the Mirror Door Horizontal Distance (Left/Right)

1. Rotate the screwdriver inward to move the mirror door to the left.
 2. Rotate the screwdriver outward to move the mirror door to the right.
- Counting from outside to inside, rotate the first screw:

The steps are the same, only distinguishing between turning the screwdriver left or right.

ILLUSTRATE



Touch Switch 1 Functions:



1. After power is applied, the indicator light turns blue, controlling the LED output.
2. Short press once to turn on the white light, press again to turn on the warm light, and press once more to turn on both the white and warm lights (each at 60% brightness, indicator light turns white).
3. Short press again to turn off the LED (when the LED is off, the indicator light turns blue).
4. When the LED light is on, long press for stepless dimming (from brightest to dimmest in 2.5 seconds, no flicker during dimming).
5. It has a power-off memory function (remembers the brightness and color of the light when turned off and restores them when turned back on).

Touch Switch 2 Functions:



1. Controls the anti-fog function. Touch once to turn on the anti-fog function (indicator light turns white).
2. Touch again to turn off the anti-fog function (indicator light turns blue).