


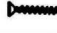
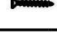


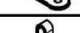
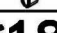



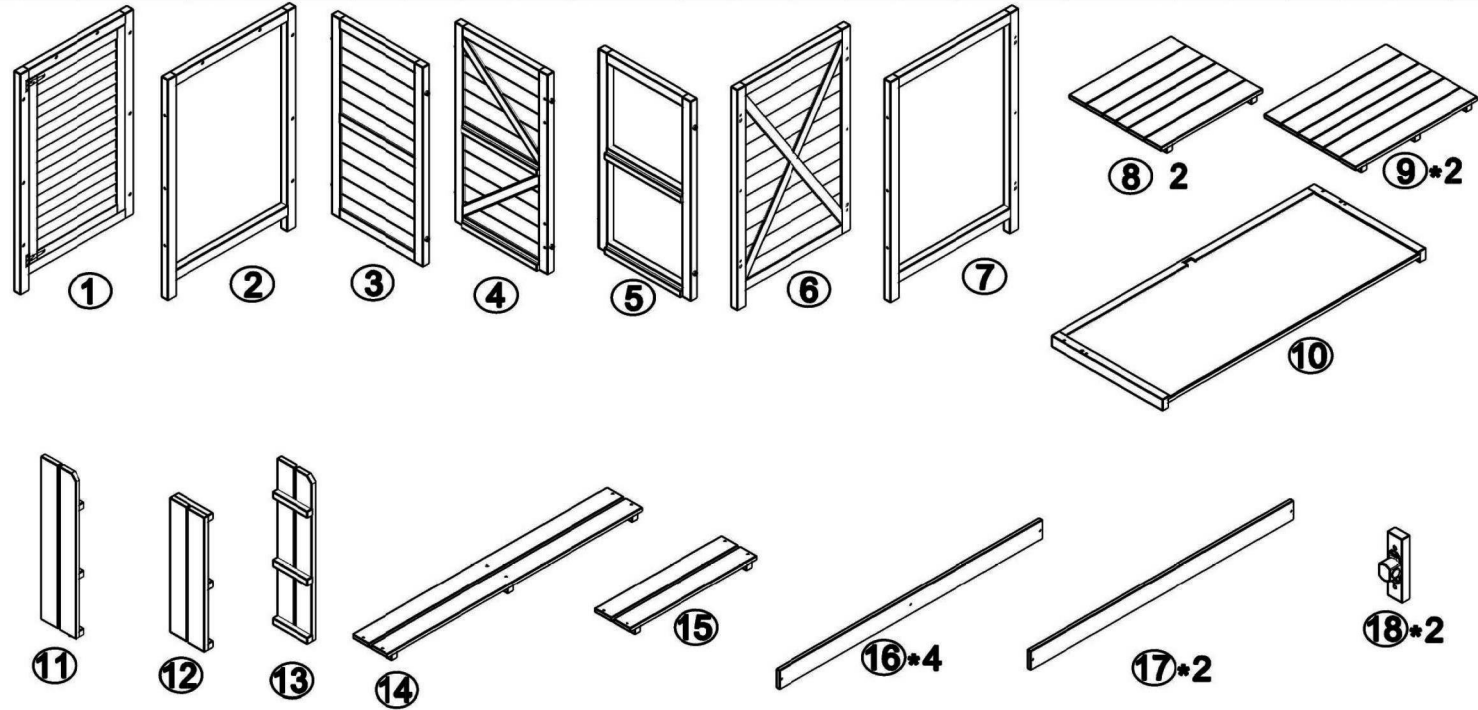
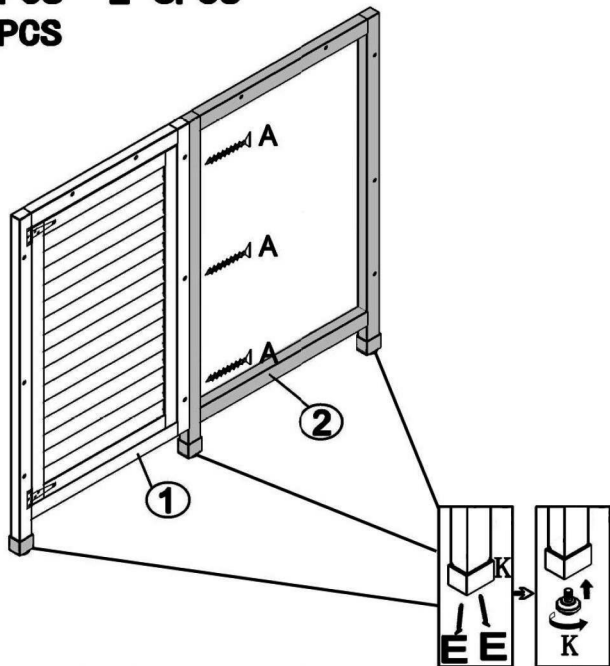


Assembly Instructions

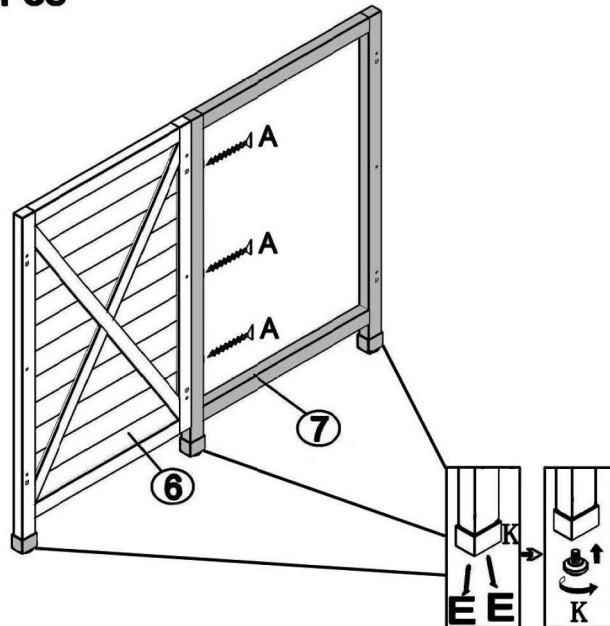
A	M3. 5*60		10+1PCS
B	M3. 5*45		18+1PCS
C	M3. 5*40		8+1PCS
D	M3. 5*35		4+1PCS
E	M3. 5*25		12+1PCS
F	M3. 0*25		26+1PCS
G	M3. 0*16		2+1PCS
H			1PC
I			6PCS
J	 1PC+ M3. 0*18		4+1PCS
K			6PCS



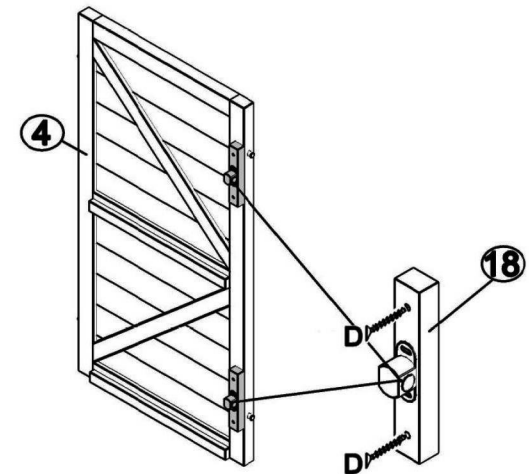
1 A 3PCS E 6PCS
K 3PCS



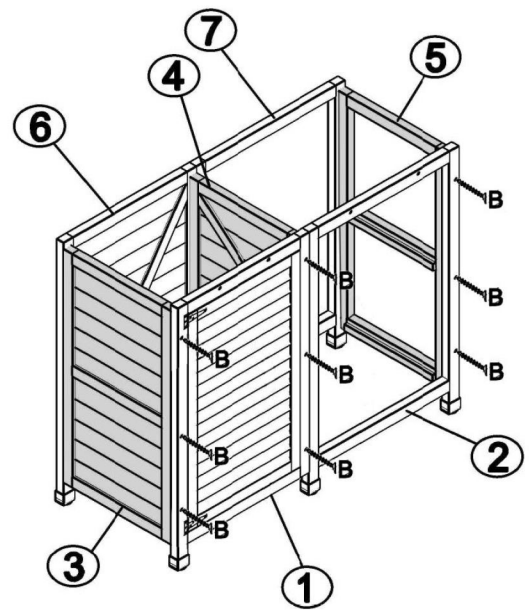
2 A 3PCS E 6PCS
K 3PCS



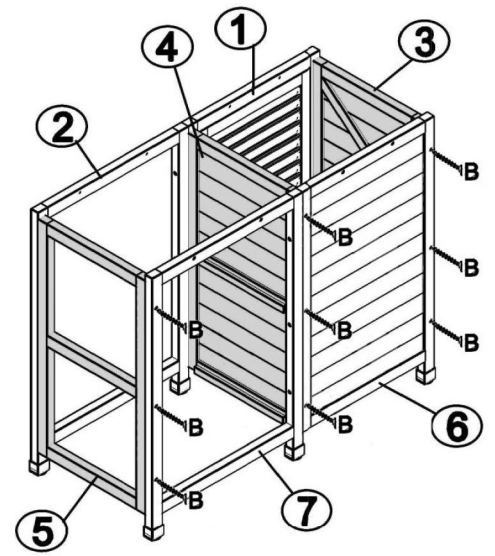
3 D 4PCS



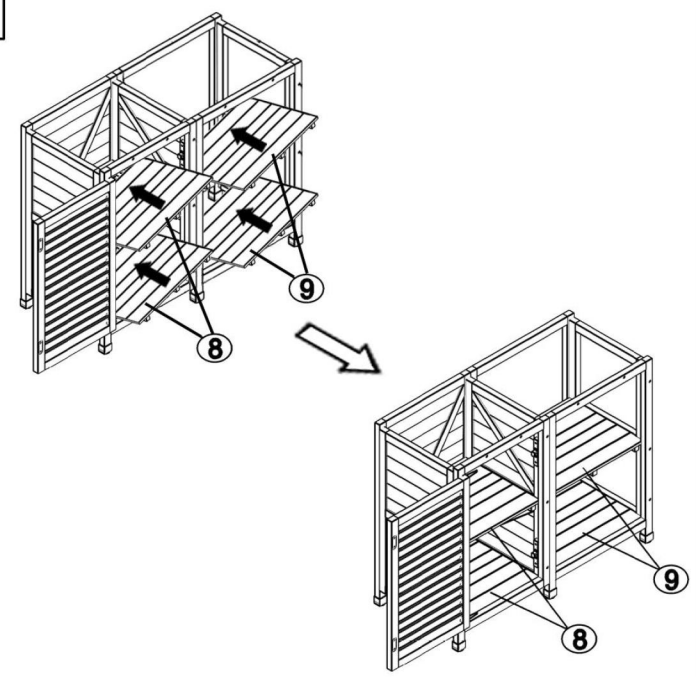
4 B 9PCS



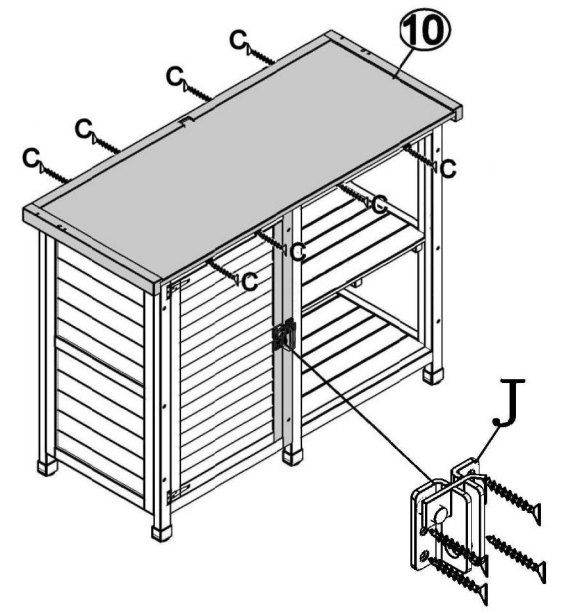
5 B 9PCS



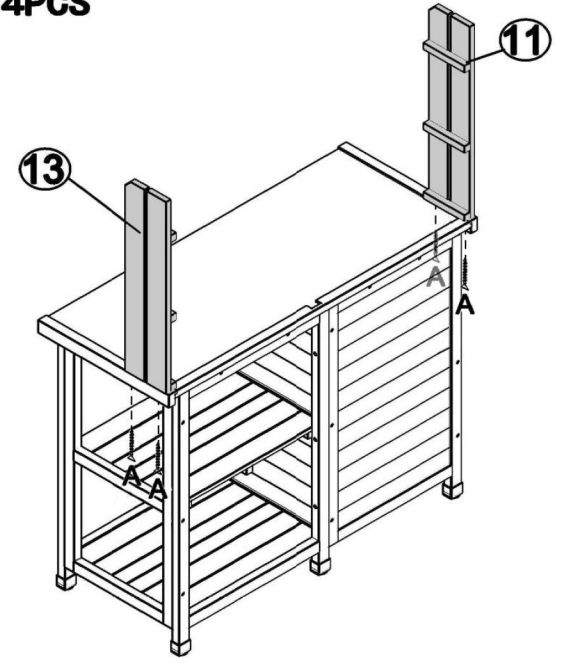
6



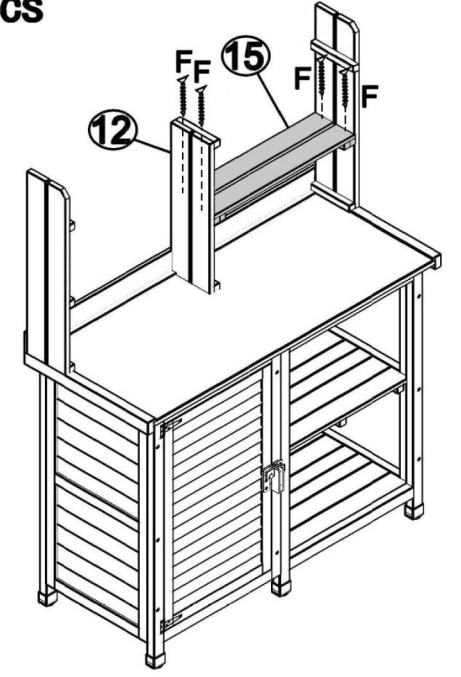
7 C 8PCS J 1PC



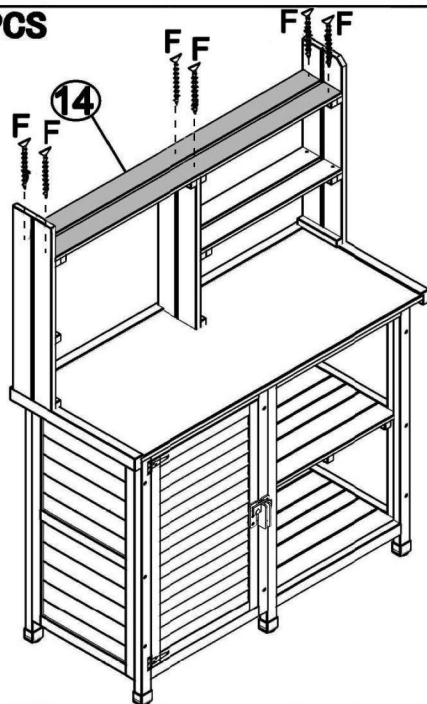
8 A 4PCS



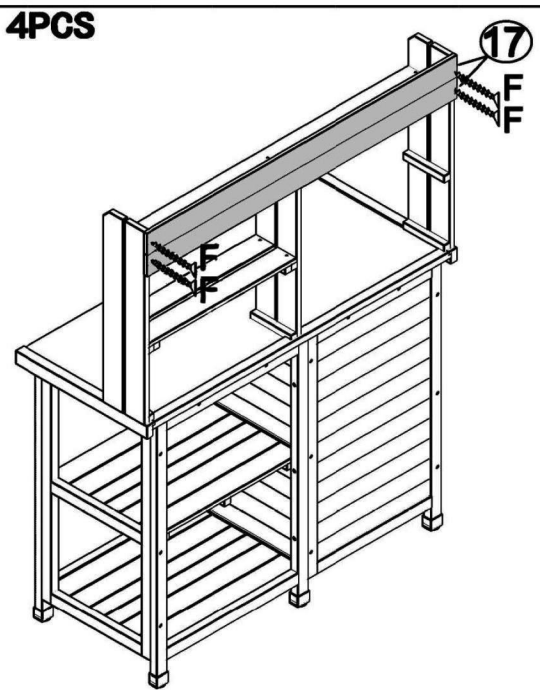
9 F 4PCS



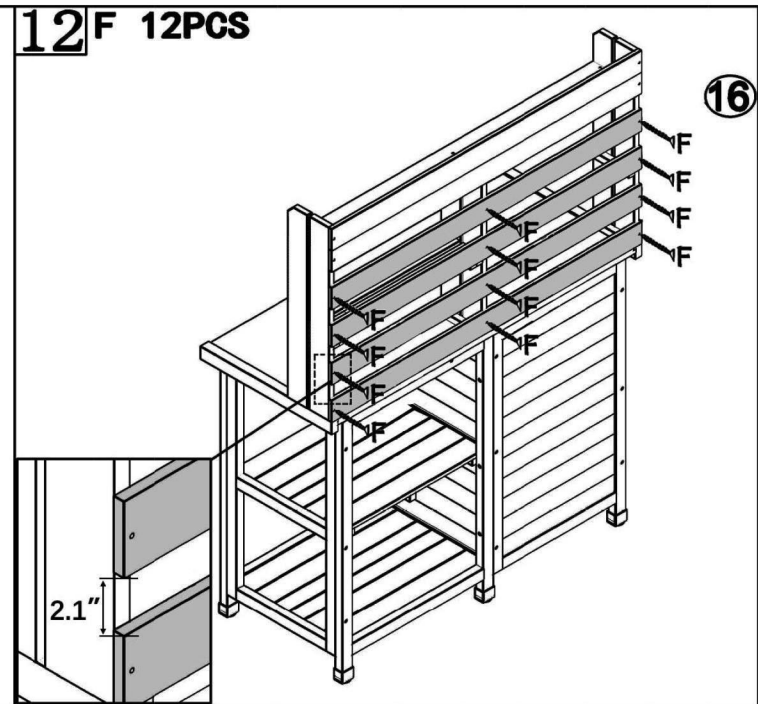
10 F 6PCS



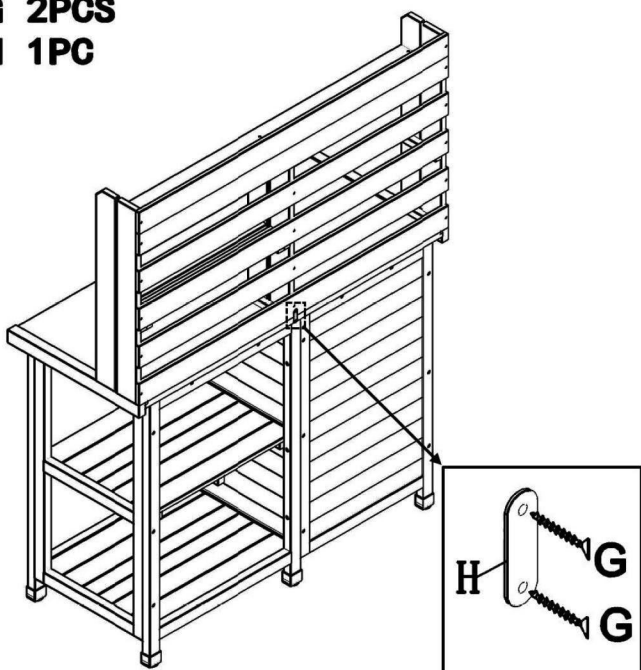
11 F 4PCS



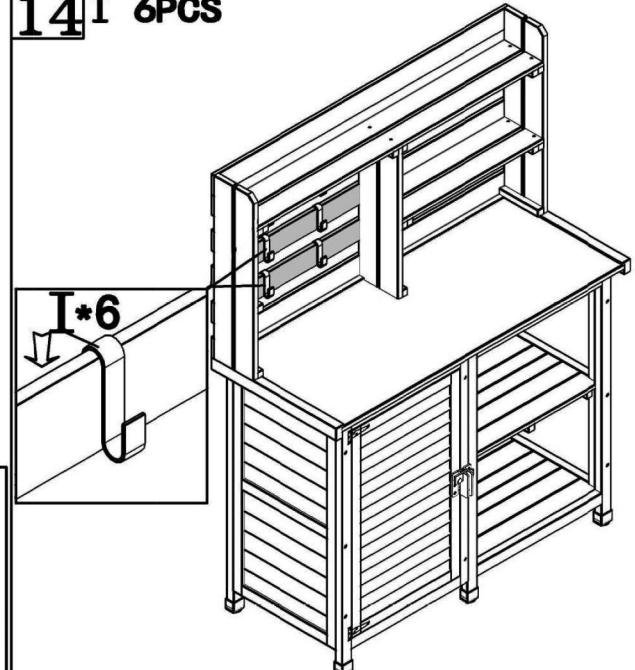
12 F 12PCS



13 G 2PCS
H 1PC



14 I 6PCS



15

NOTE: This product is made of real solid fir wood, when you first open the package there may be a distinct smell of wood. But please rest assured that this is safe and is the smell of the wood itself. For your and your pet's best experience, we strongly recommend ventilating the product parts outdoors for about 3 days before assembling and using it to minimize the impact of the smell.