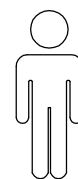
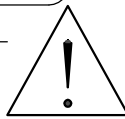
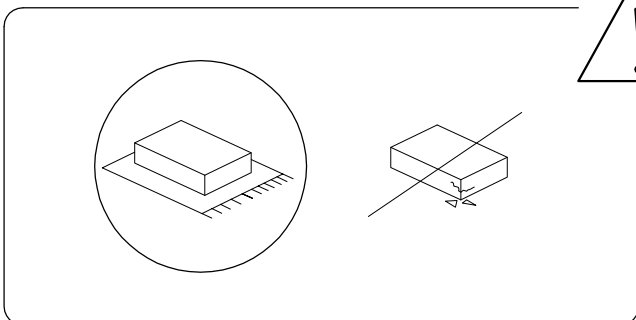
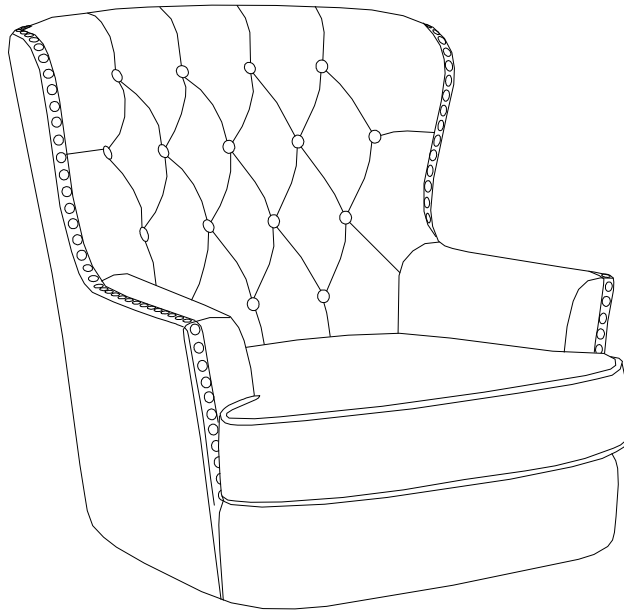
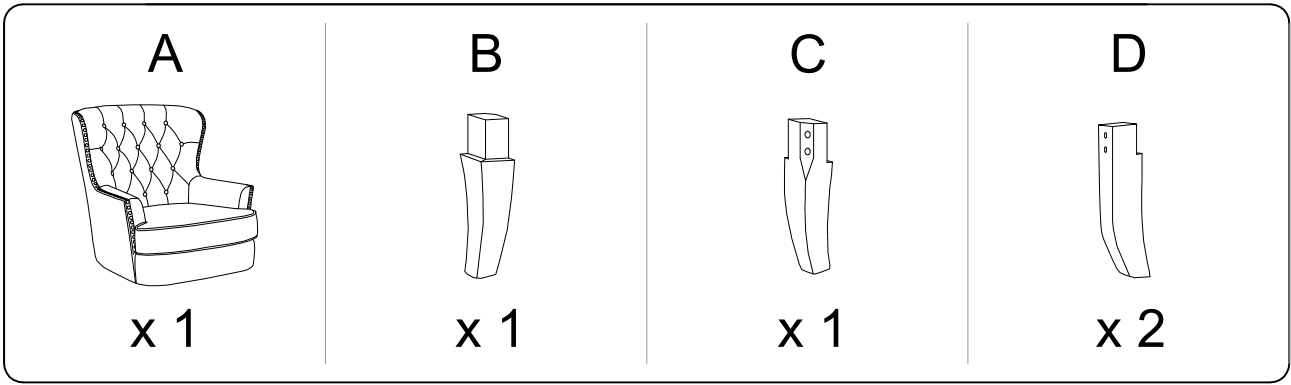


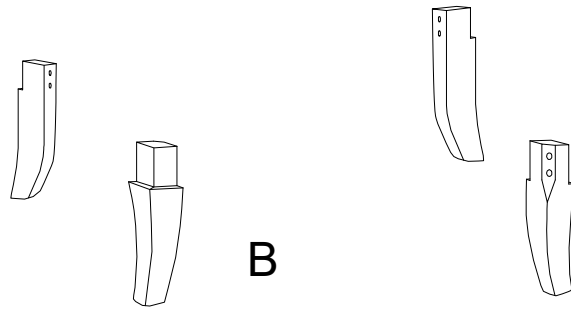
10'



1

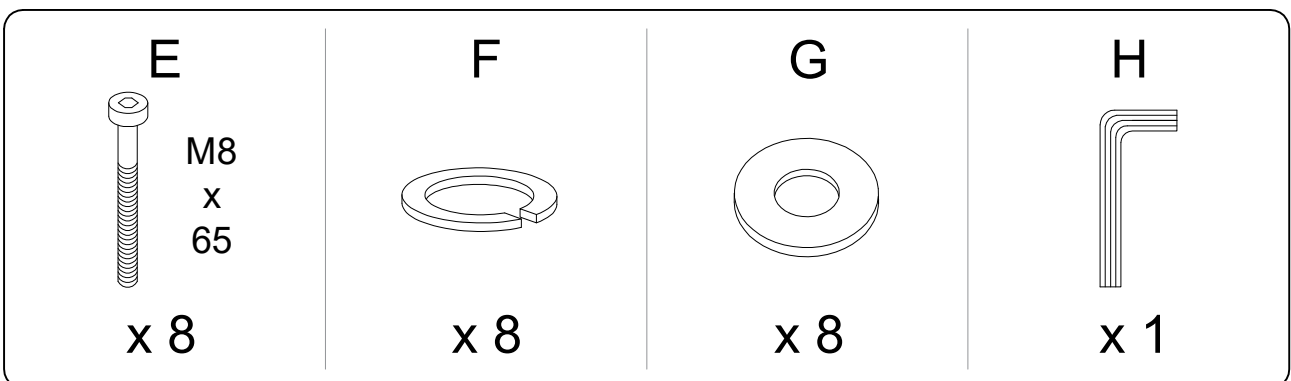


A

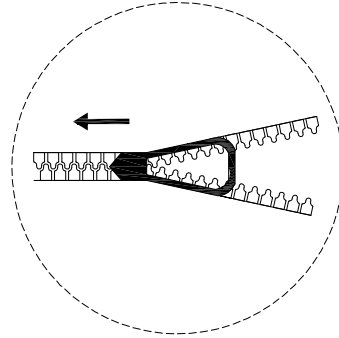
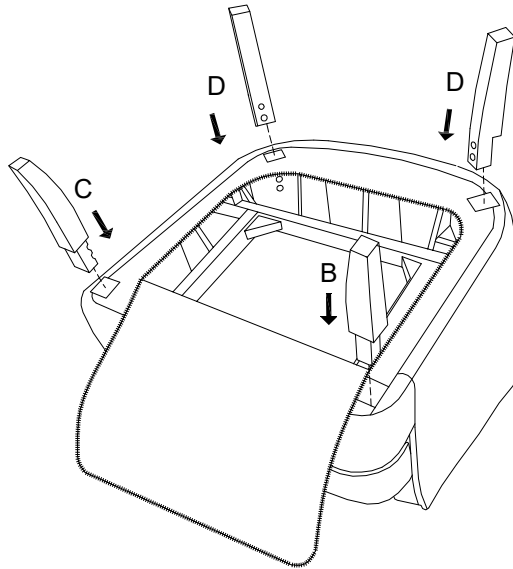
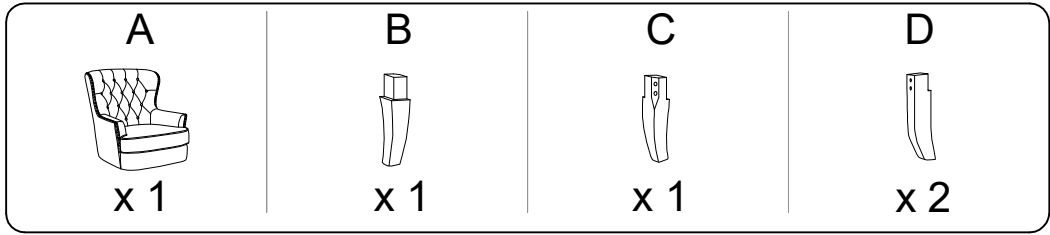


D x 2

C



1



2

