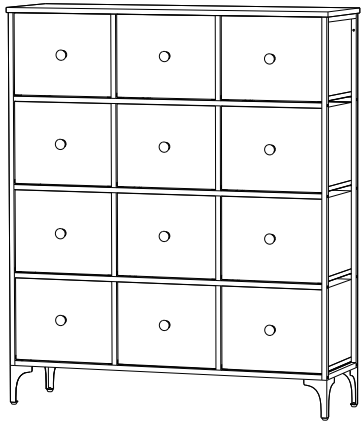


Assemble Instruction

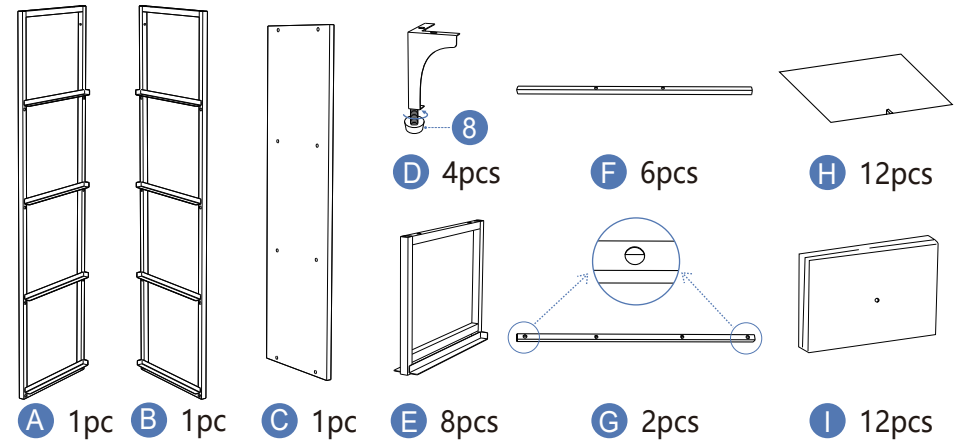
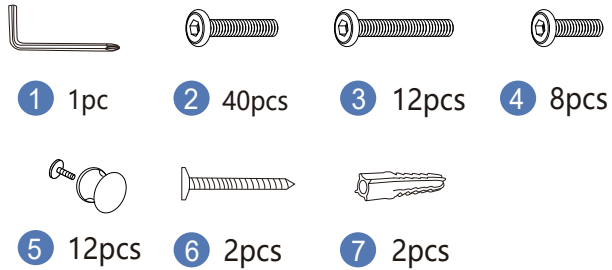
ATTENTION: Do not tighten the screws until you have complete setup assembly.

If you have any question about the instructions, please kindly check out the installation video on our link page.



Product Assembly Accessories:

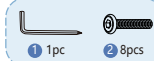
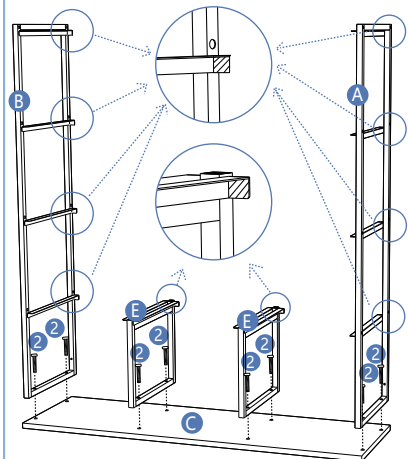
We prepare a spare one for part of the screws in case of damage or loss.



step1:

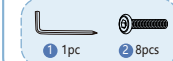
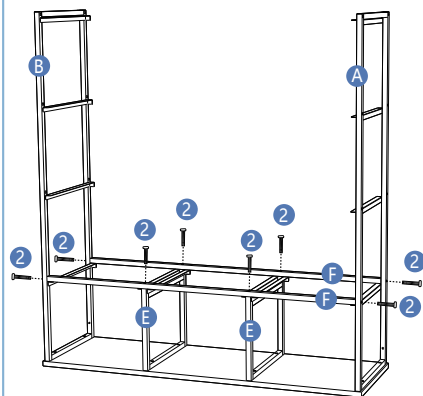
Secure the frame **A**, **E** and **B** to the board **C** with screw **2**.

Note: The stoppers for the drawers have to be on the same side.



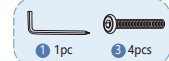
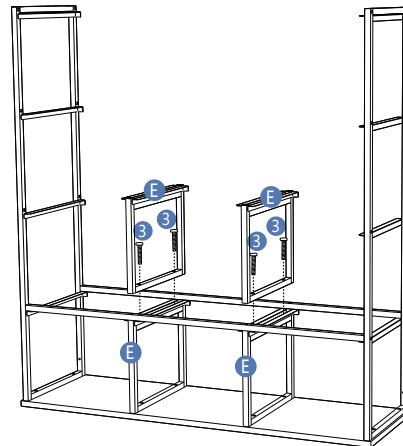
step2:

Fix the frame **F** to the frame **A**, **B** and **E** with screw **2**.



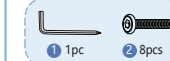
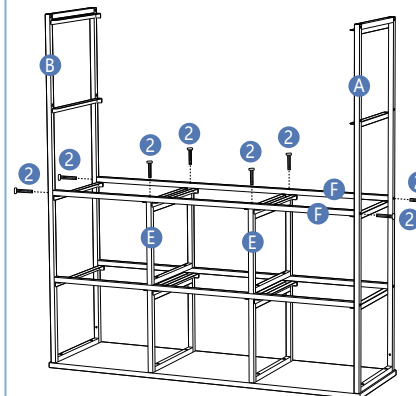
step3:

Connect two frame **E** with screw **3**.



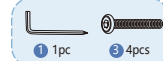
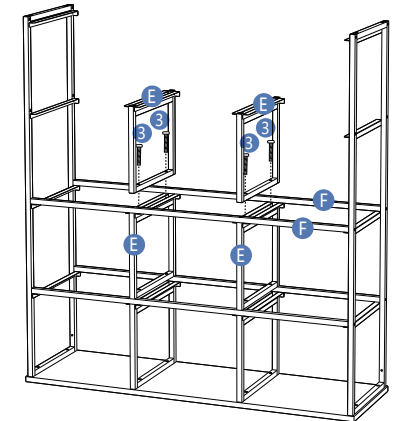
step4:

Fix the frame **F** to the frame **A**, **B** and **E** with screw **2**.



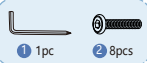
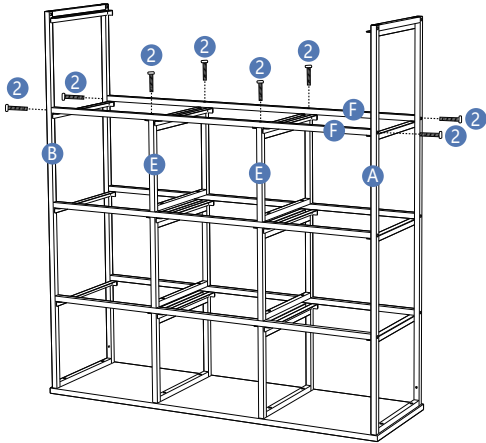
step5:

Connect two frame **E** with screw **3**.



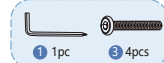
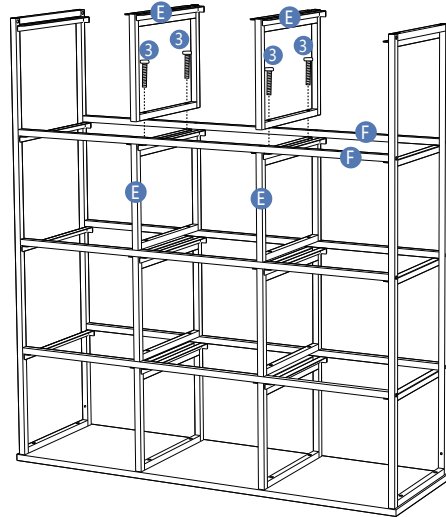
step6:

Fix the frame **F** to the frame **A**, **B** and **E** with screw **2**.



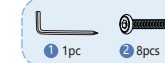
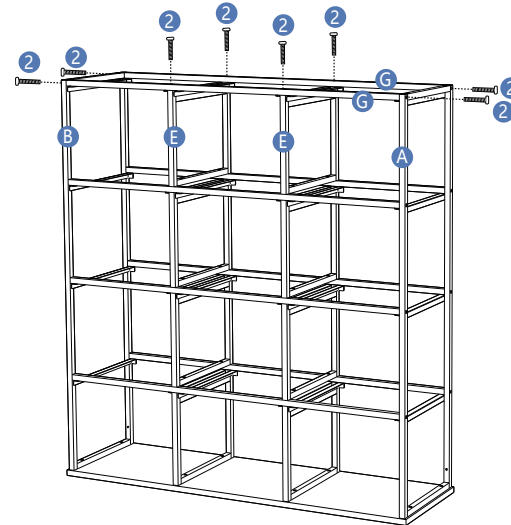
step7:

Connect two frame **E** with screw **3**.



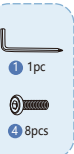
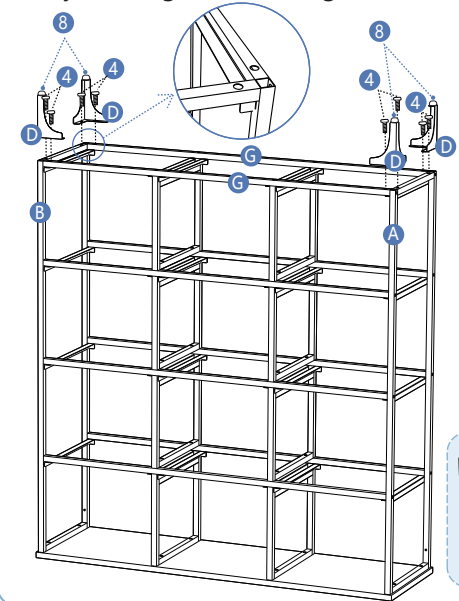
step8:

Fix the frame **G** to the frame **A**, **B** and **E** with screw **2**.



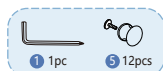
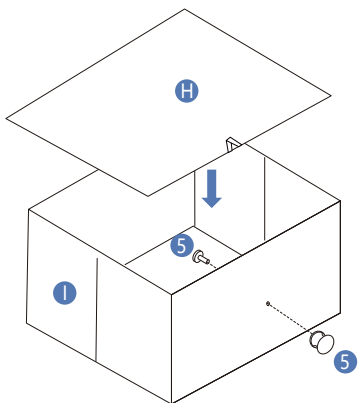
step9:

1. Install metal feet **D** with screw **4**.
2. Adjustment feet **8** have been installed on **D** in advance. You can adjust the height by rotating it when the ground is uneven.



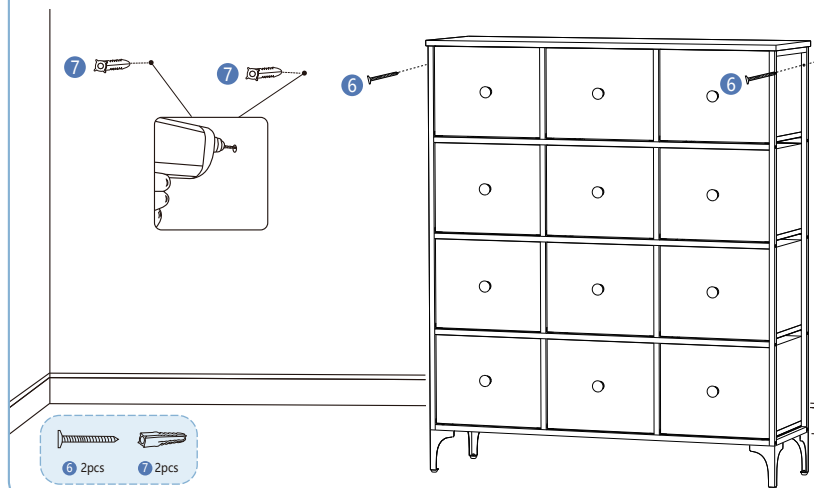
step10:

Install the handle **5** on the drawer **1** with screws, insert the inner board **H**.



step11:

Use a power drill to make holes in the wall, insert expansion screw **7**, and fix the dresser with screw **6**.



Assembly Notes

- It is recommended that you categorize the accessories before installation to quickly find the required accessories during installation.
- When installing the frame, make sure that the end stoppers of the drawer slots of the three metal frames are in the same direction.

Matters Needing Attention

- Please make sure the weight of the objects you put in the drawers follows the allowed weight standards.
Max static load capacity of the tabletop: 65lb
Max static load capacity of each drawer: 7lb
- Washing the entire dresser can be detrimental to its construction. Please clean it gently with a wet cloth instead.
- A smell of wood is present on all new products. Please keep the dresser in a well-ventilated room soon after construction so that the odor can leave.
- Secure the dresser to the wall with our provided anti-tip kit to enable stability and protection for your loved ones.