

Storage Rack

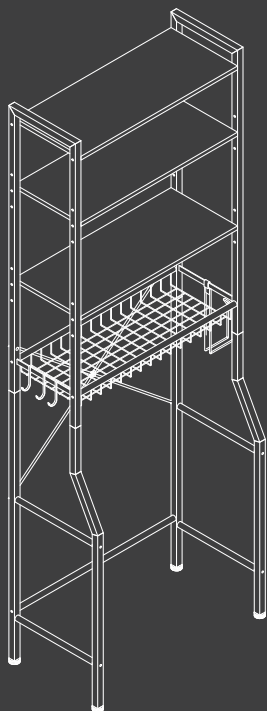
Instruction Manual

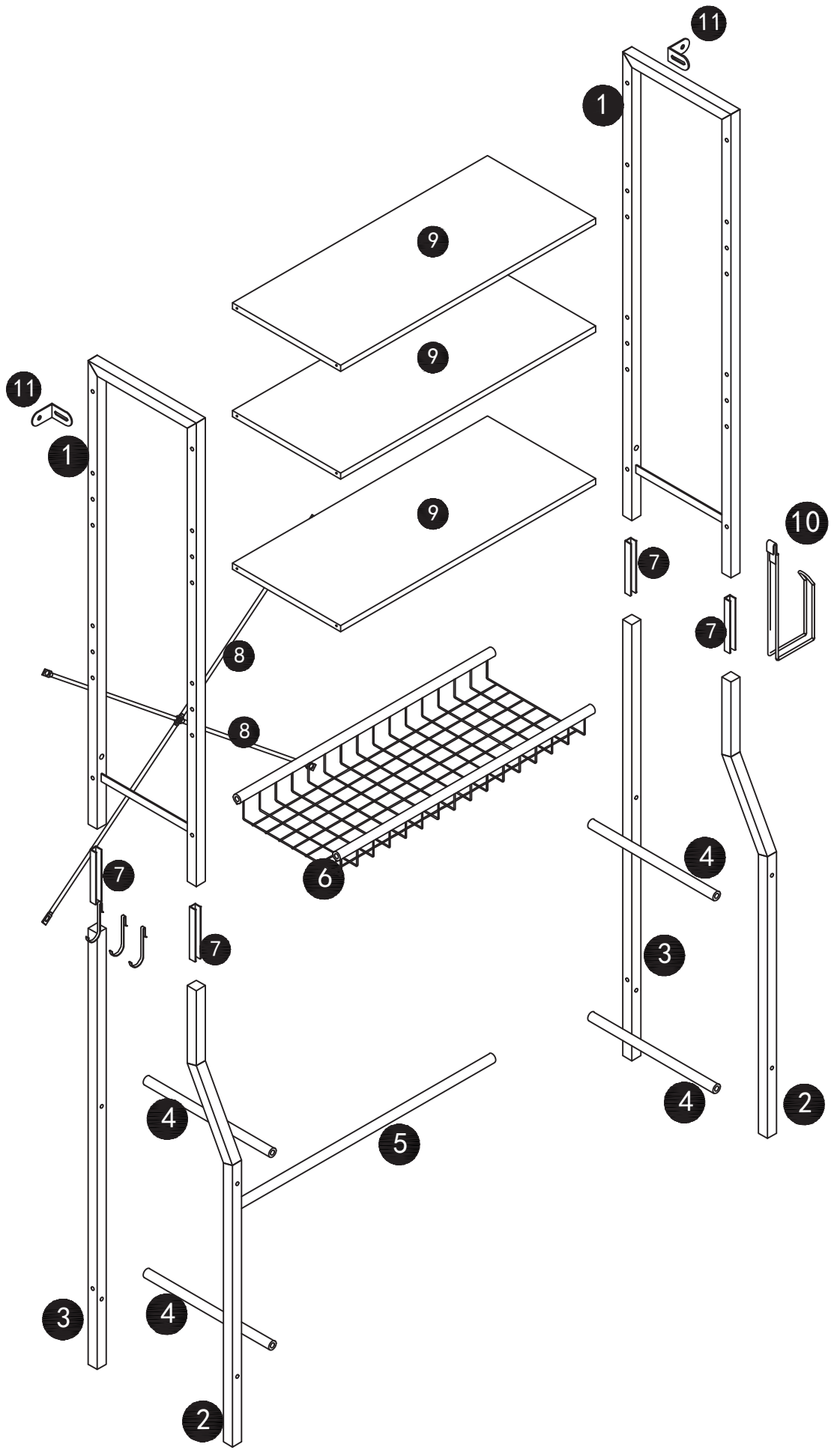
Estantería de almacenamiento

Manual de instrucciones

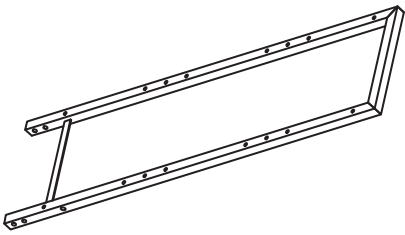
Étagère de Stockage

Manuel d'Instruction

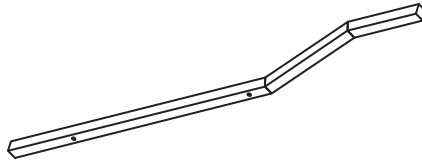




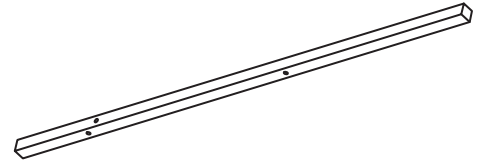
1 X2



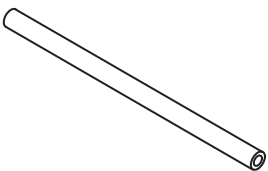
2 X2



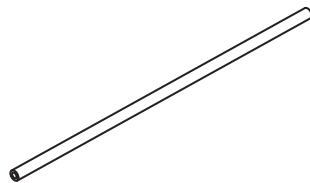
3 X2



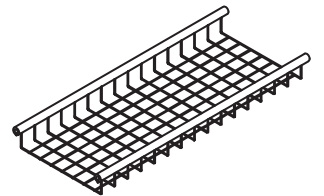
4 X4



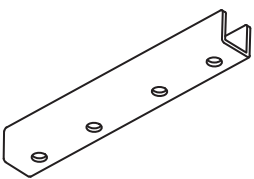
5 X1



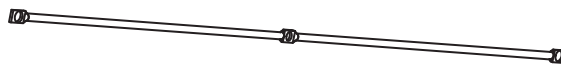
6 X1



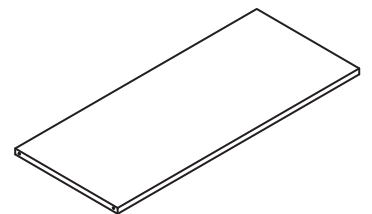
7 X4



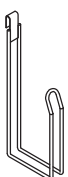
8 X2



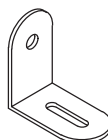
9 X3



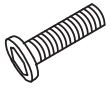
10 X1



11 X2



A X14



M6*35mm

B X19



M6*12mm

C X2



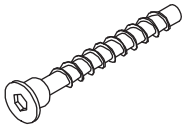
M6*18mm

D X4



M6

E X12

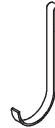


M5*40mm

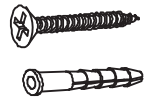
F X1



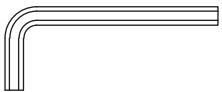
G X3



H X2

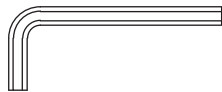


I X2



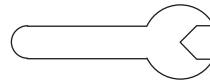
M6

J X1





M4

K X1




M6


EN:  : Partially tighten the screws.

 : Fully tighten all screws.

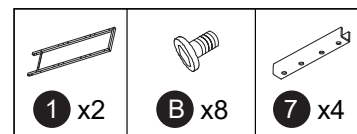
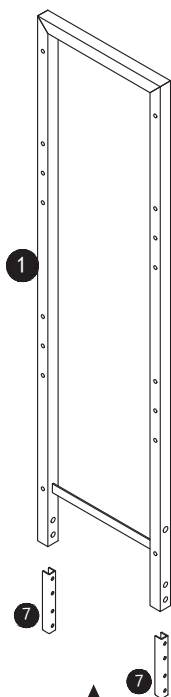
ES:  : Apriete parcialmente los tornillos.

 : Apriete completamente todos los tornillos.

FR:  : Serrez d'abord les vis partiellement.

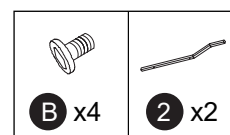
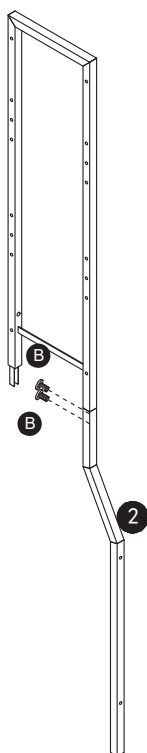
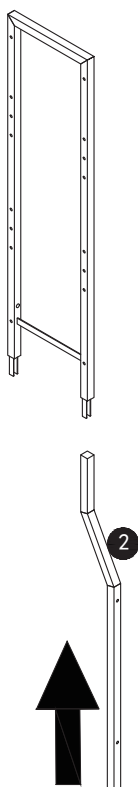
 : Serrez toutes les vis complètement.

Step 1



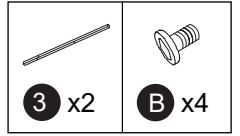
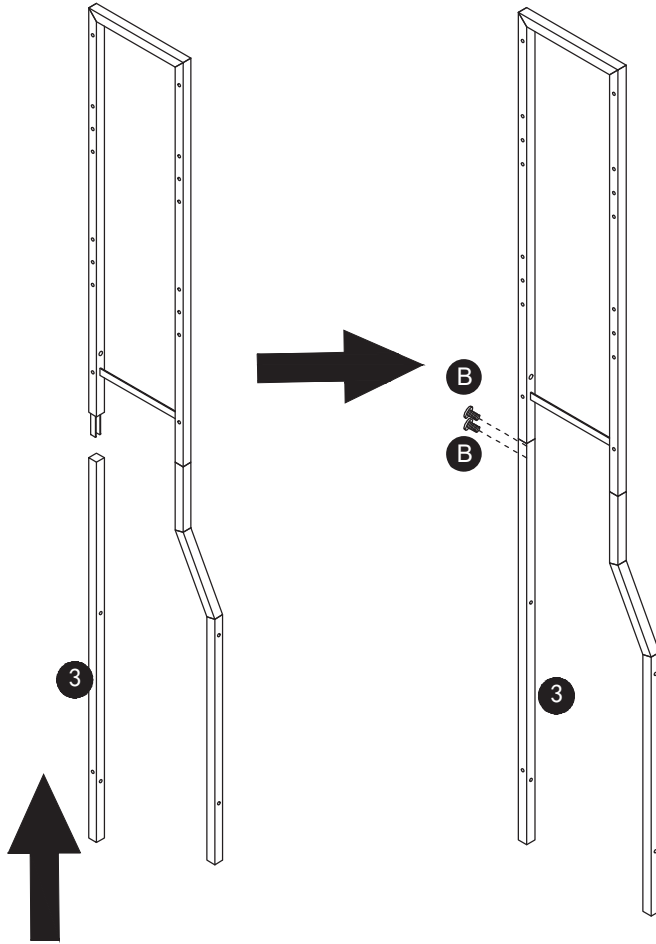
x2

Step 2



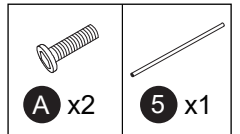
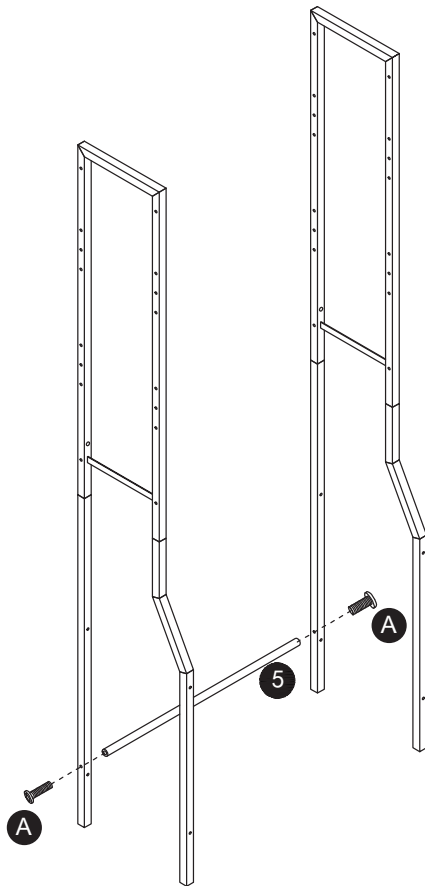
x2

Step 3

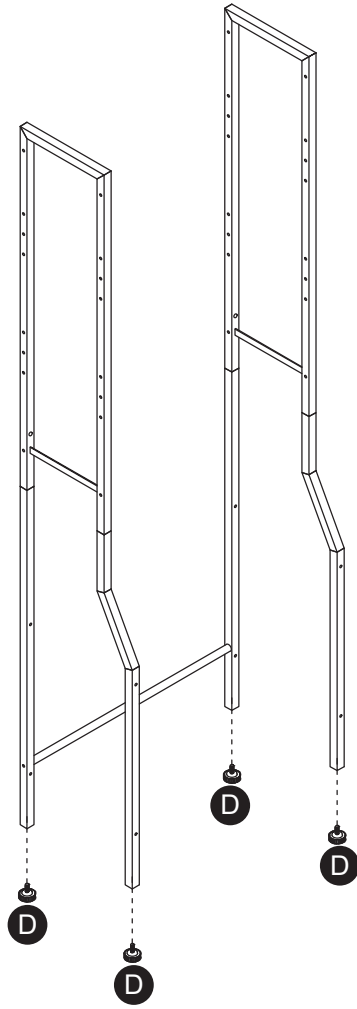
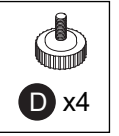


x2

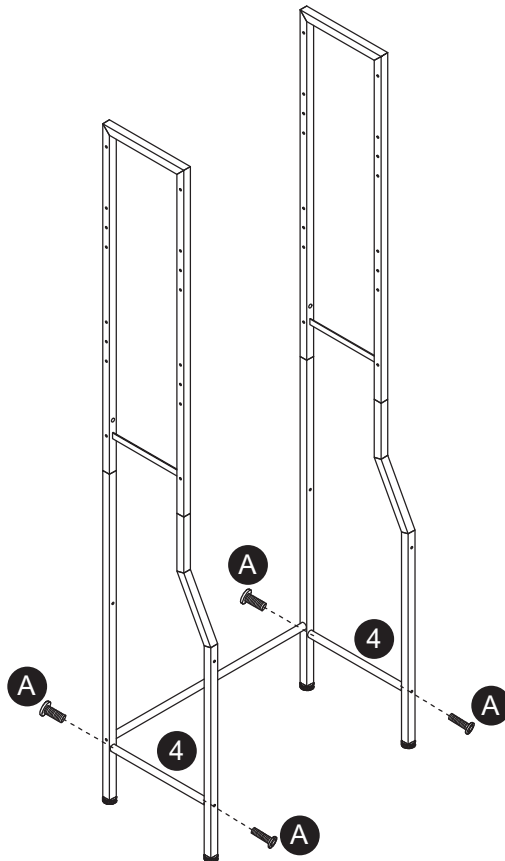
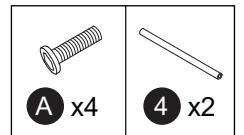
Step 4



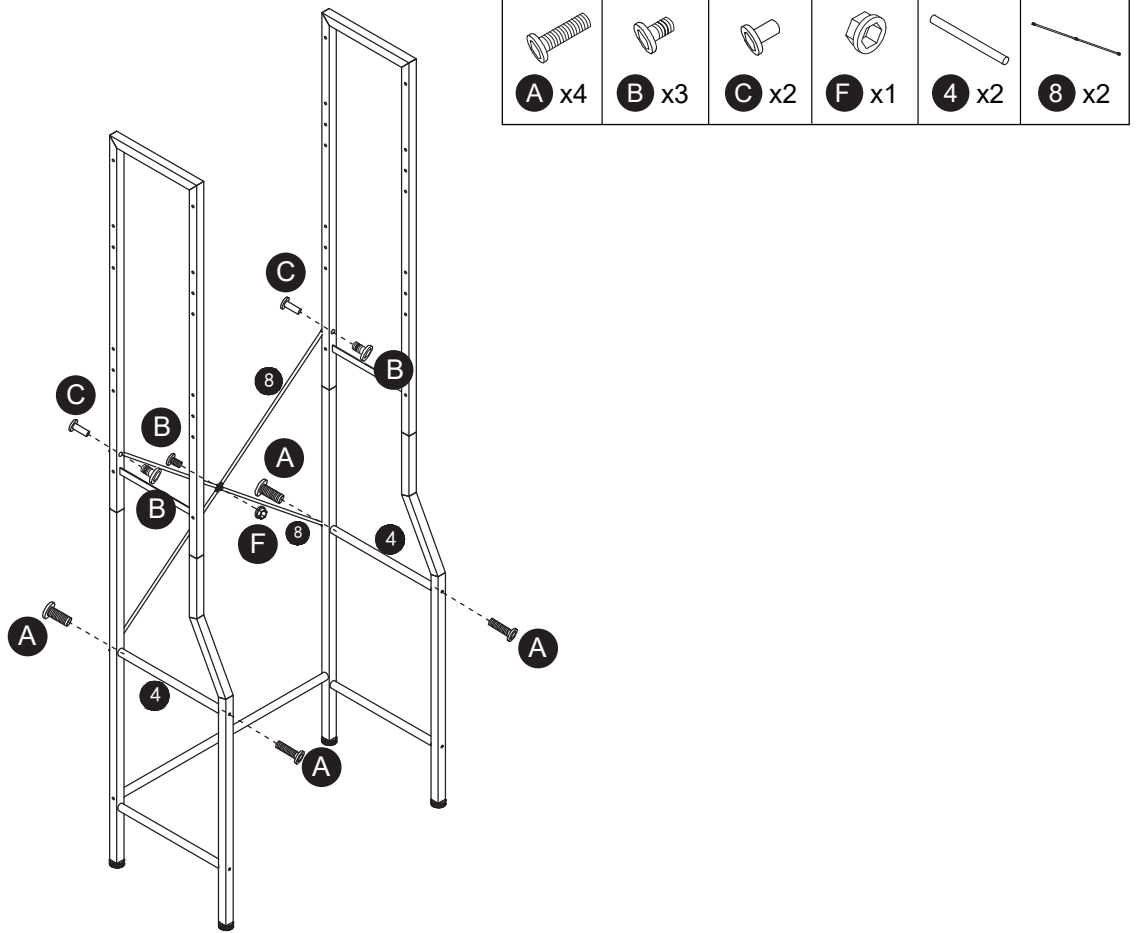
Step 5



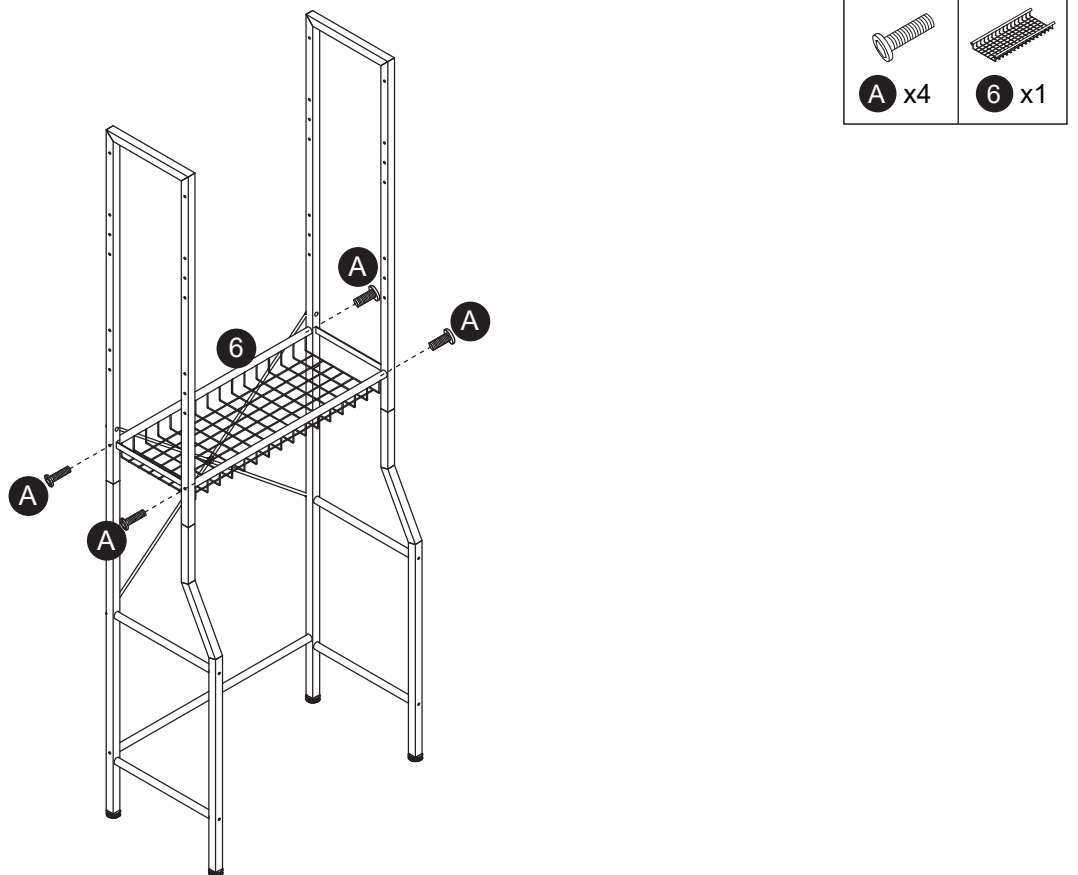
Step 6



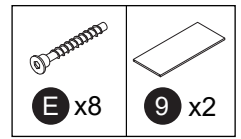
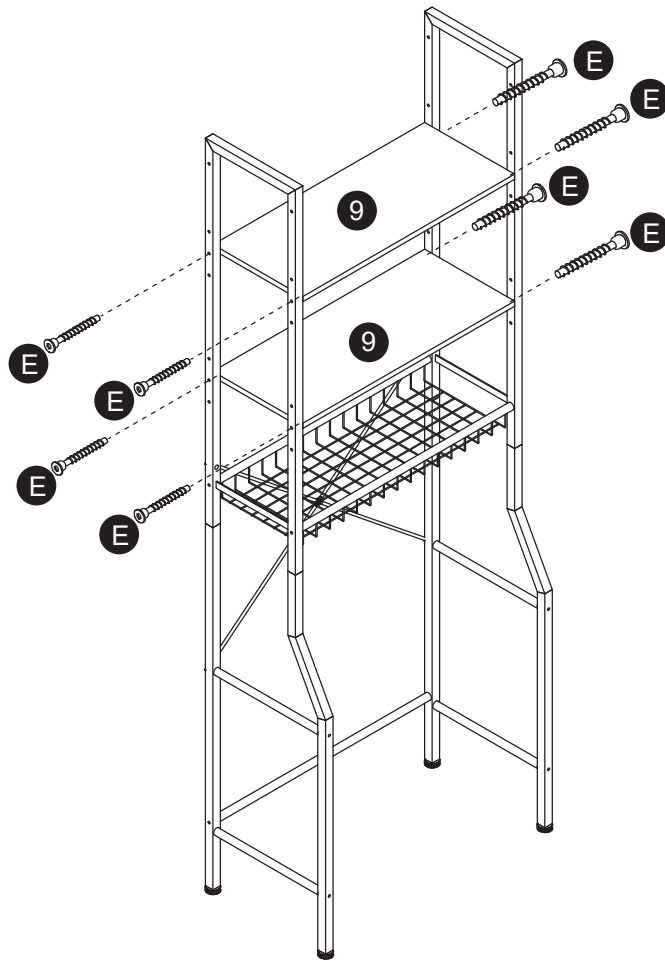
Step 7



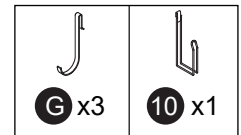
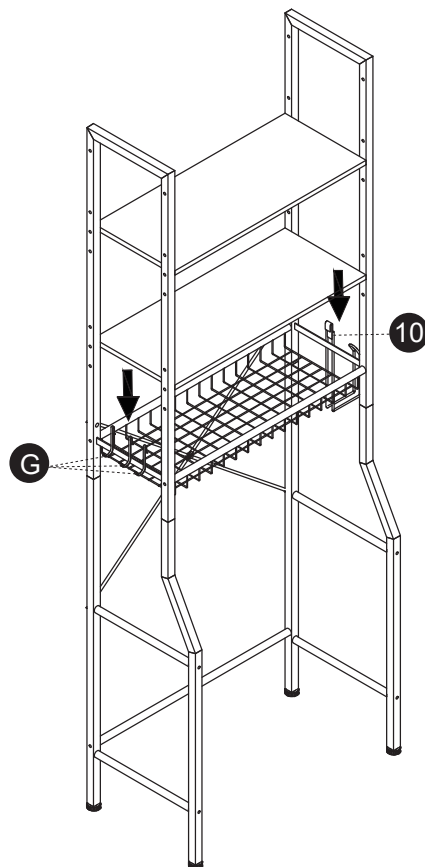
Step 8



Step 9



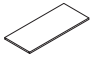



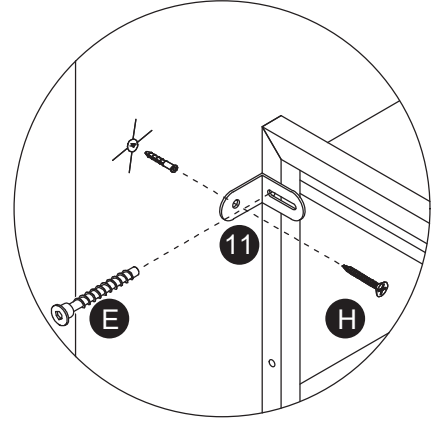
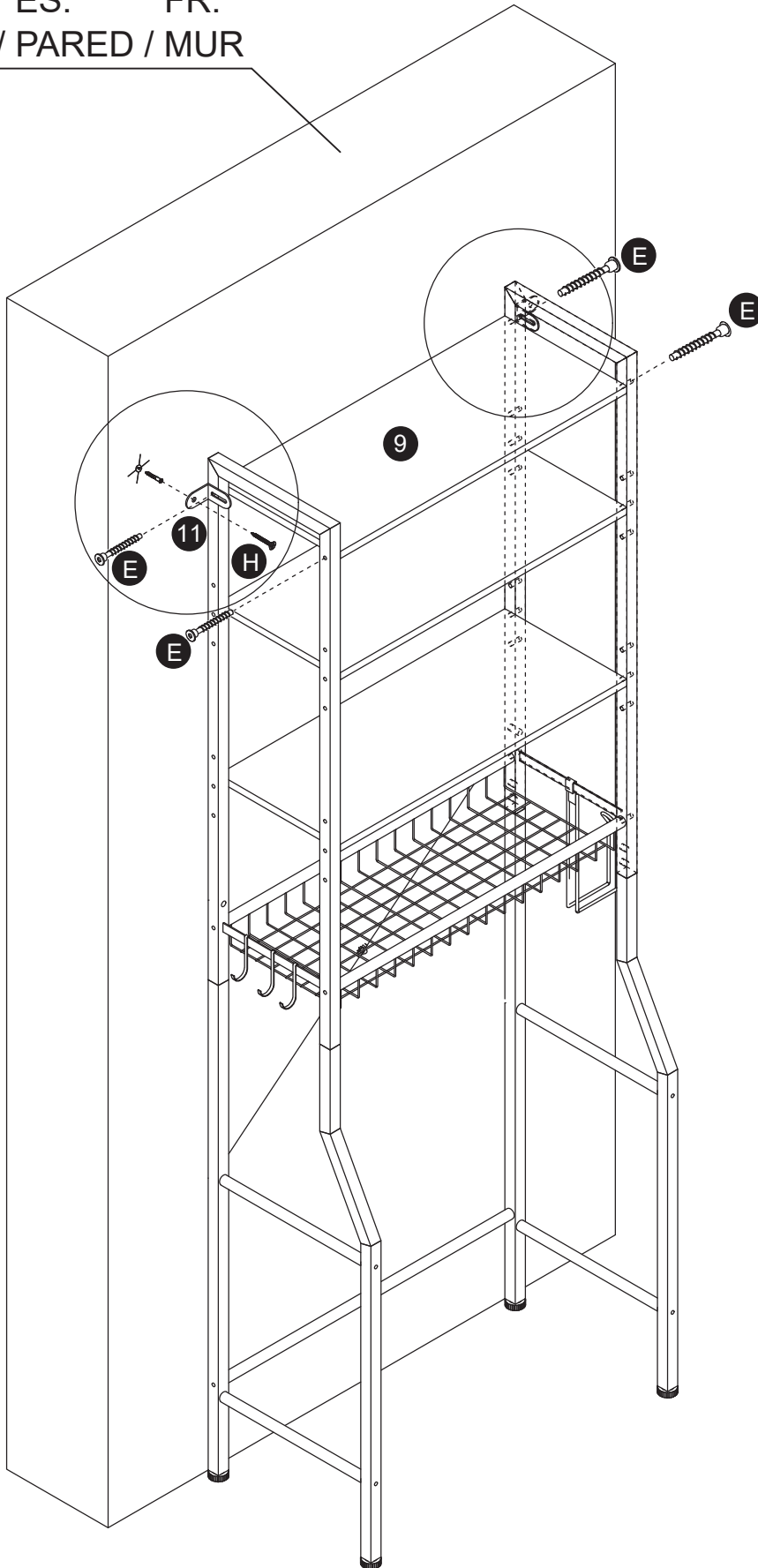
Step 10

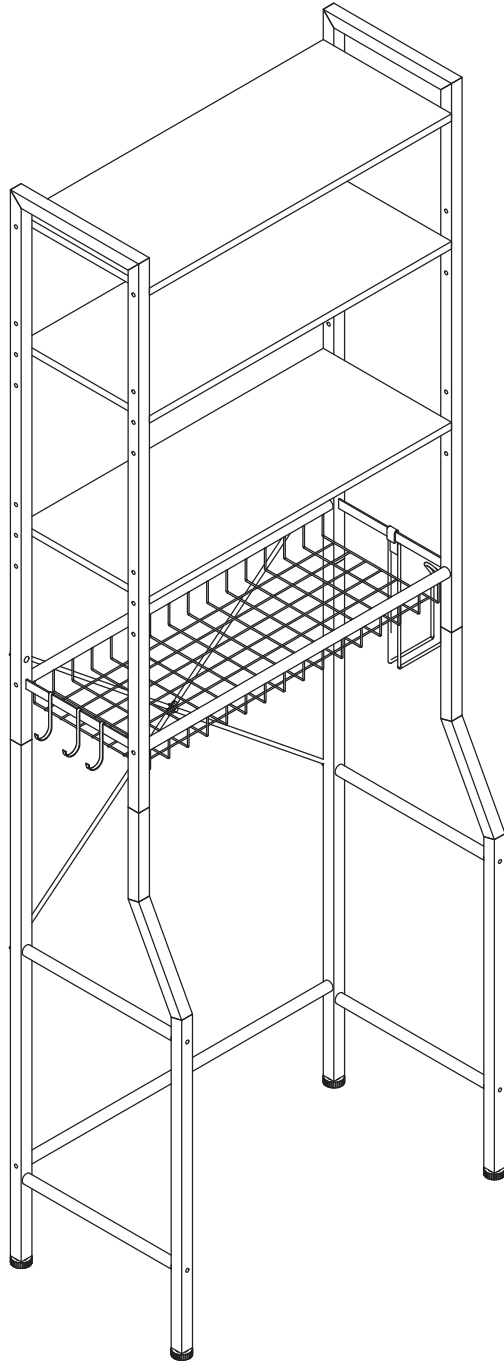


Step 11

EN: WALL / PARED / MUR

 H x2	 E x4	 9 x1	 11 x2
---	---	---	--





Thank you for choosing this product. We strive to provide you with the best quality products and service in the industry. Should you have any issues, please don't hesitate to contact us.