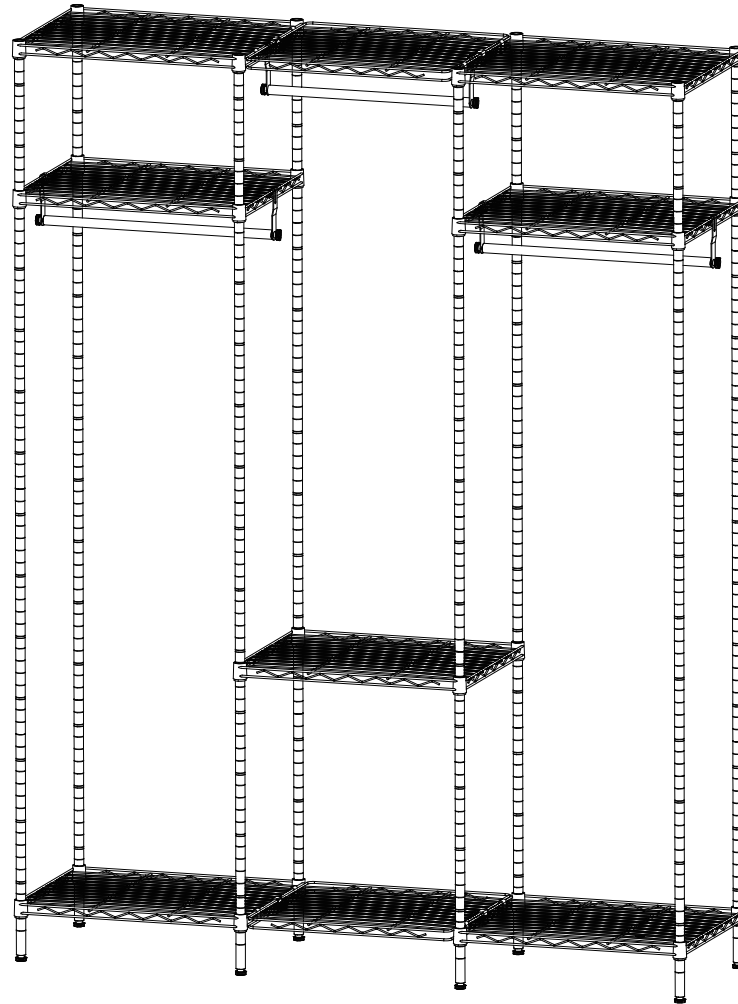


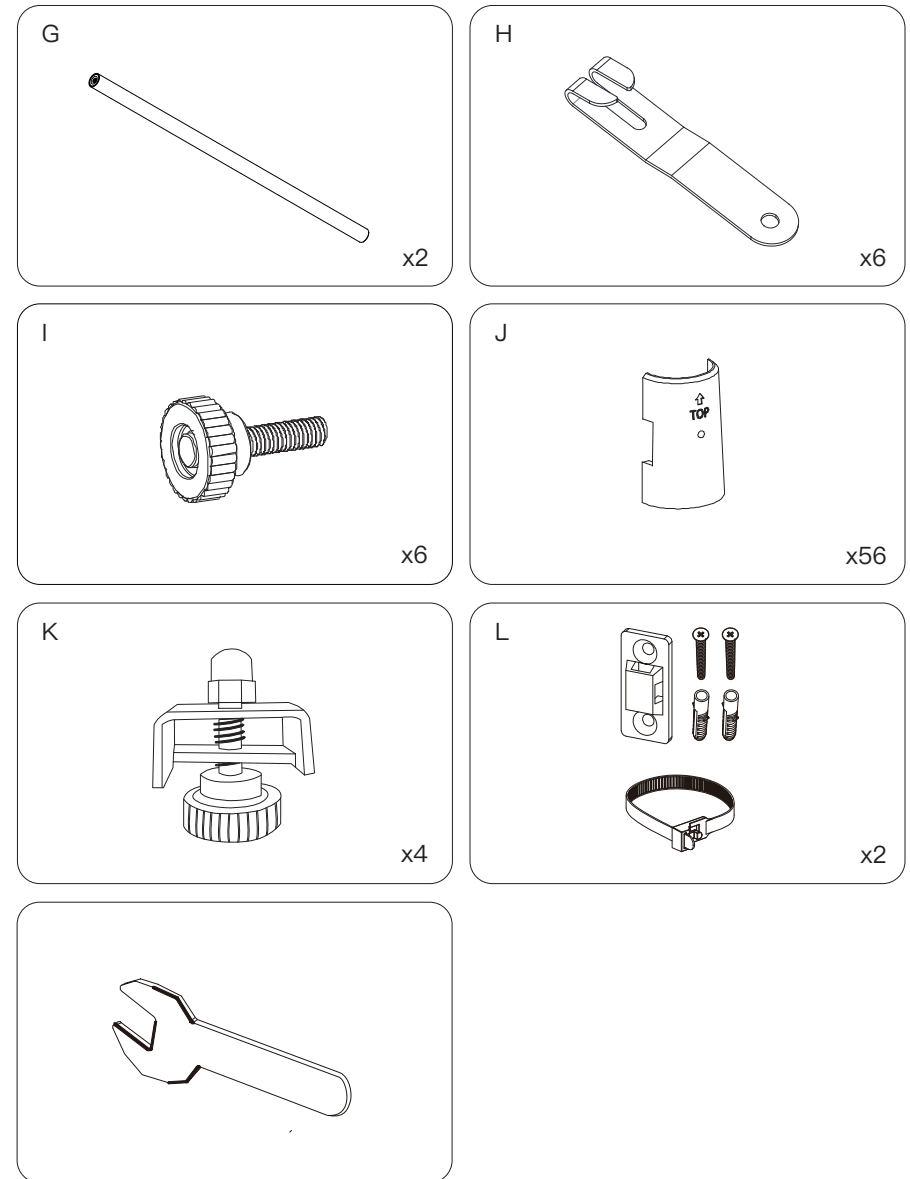
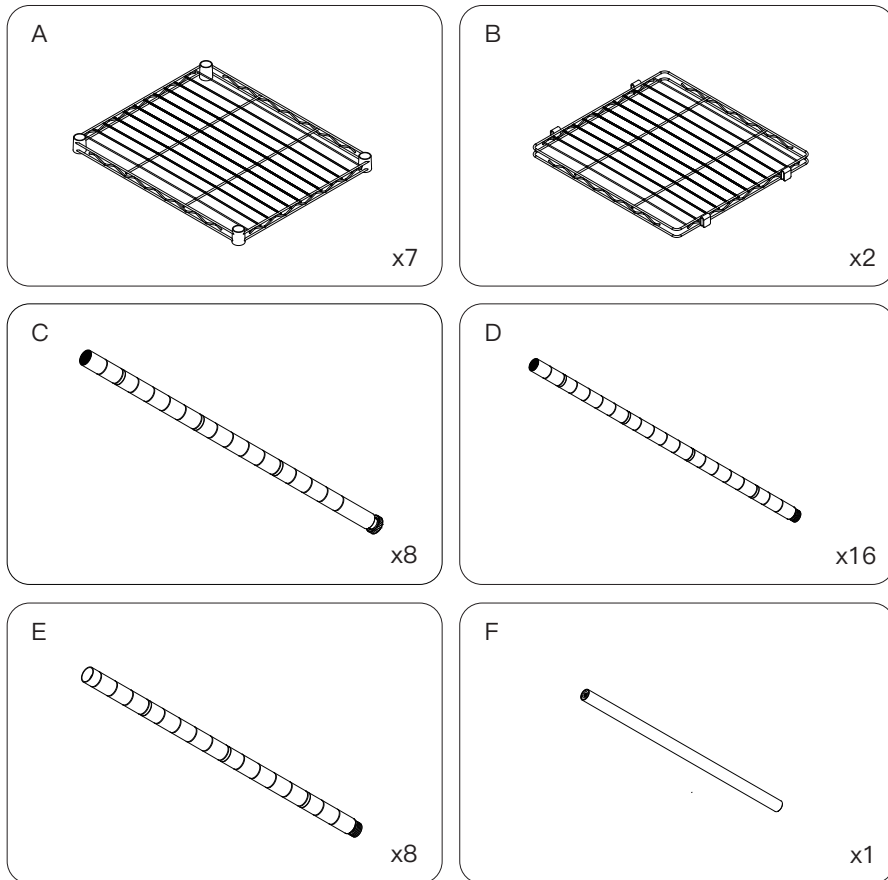
ASSEMBLY INSTRUCTION



Please check all parts and accessories according to the parts list before assembling, make sure all contents are sufficient and in good condition.

If there is any parts missing or defective, please contact us immediately to get replacement parts.

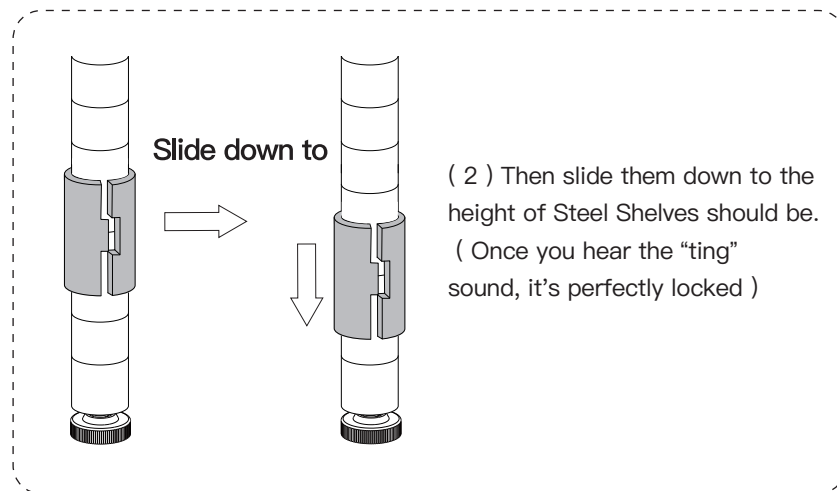
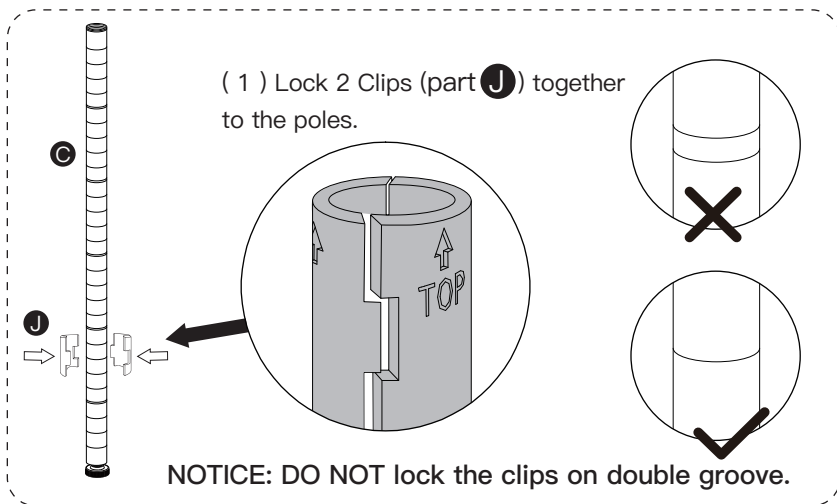
PART LIST:



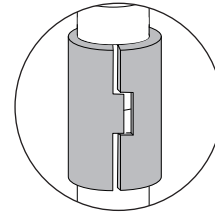
HOW TO INSTALL

Step 1

Learn to install Clips on poles.



NOTICE: Every Clip (Part **J**) installing in same step must be at the same height.



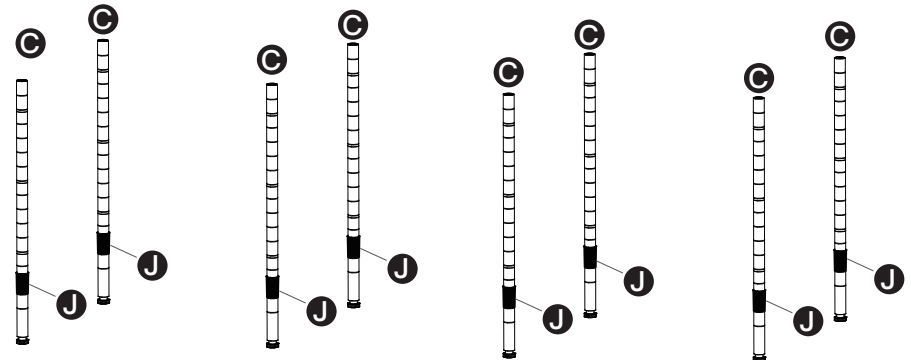
Note:

There is a gap between 2PCS plastic clips assembled onto the poles as shown in the picture, this is a structural design rather than a quality issue, which aims to bind the shelves firmly onto the pole.

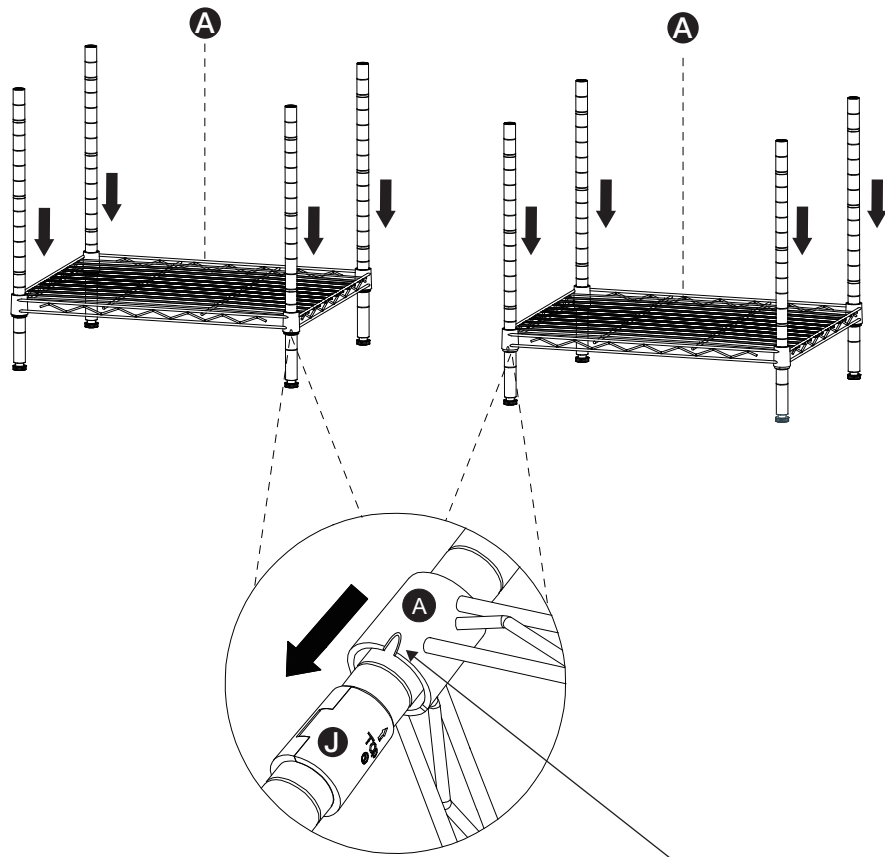
Step 2

Install (part **A**) on (part **C**).

(1) Lock Clips (part **J**) as below.

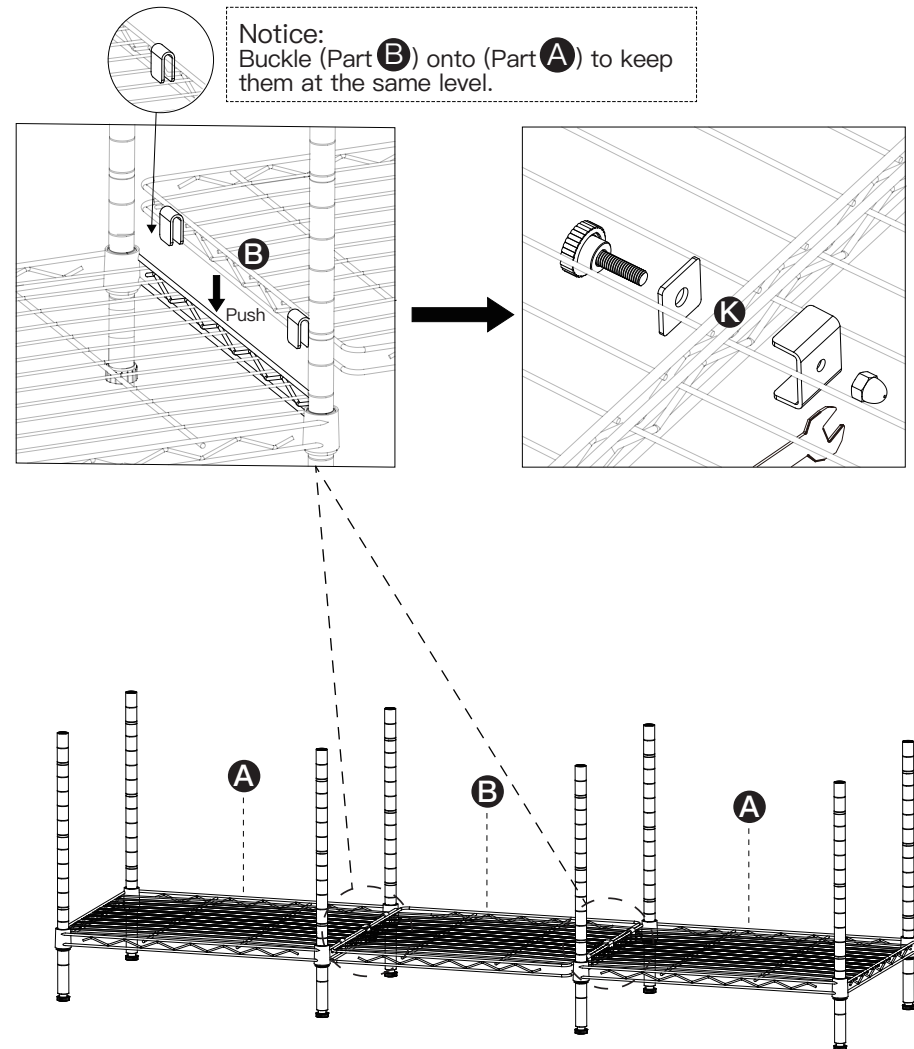


(2) Install Steel Shelves (part **A**) onto the Clip Groups.



Keep the gap in collar face down

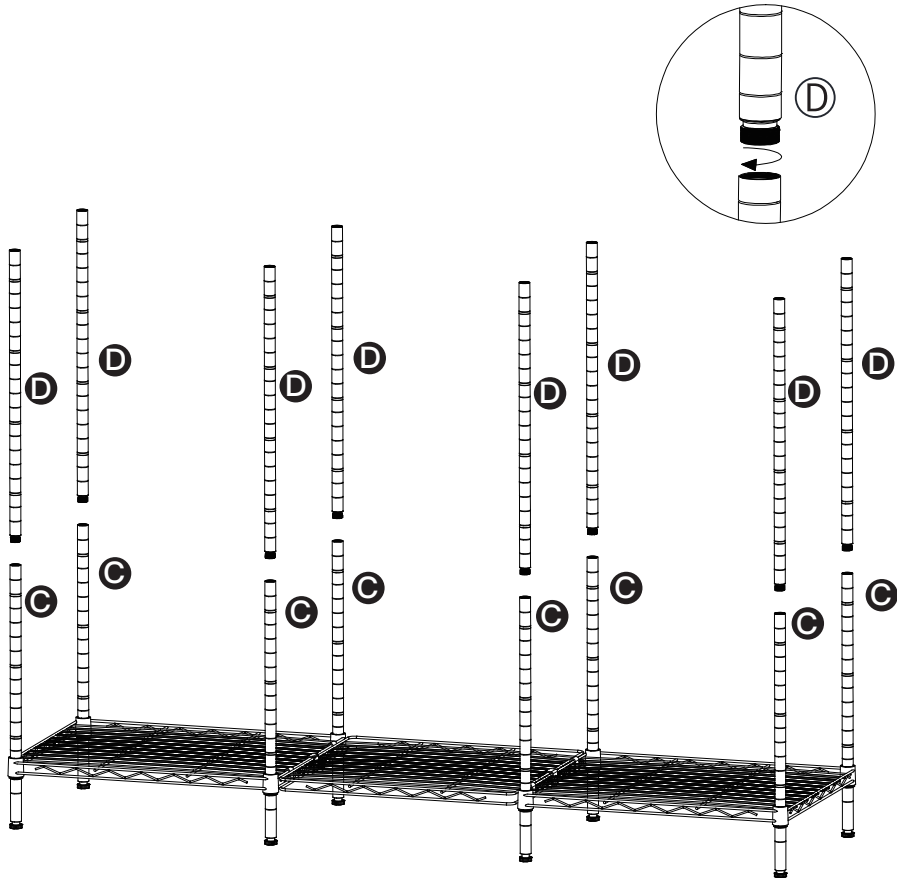
Step 3 Connect (part **A**) with (part **B**), use (part **K**) to tighten them.



Notice:
Buckle (Part **B**) onto (Part **A**) to keep them at the same level.

Step 4

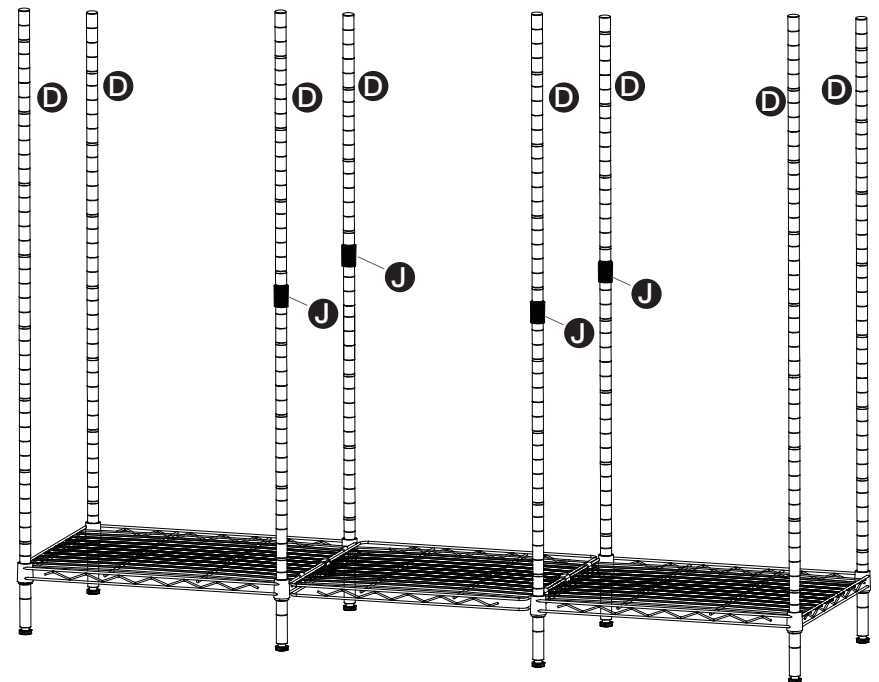
Connect 8 Middle Poles (part **D**) on 8 Lower Poles (part **C**).



Step 5

Install (part **A**) on (part **D**).

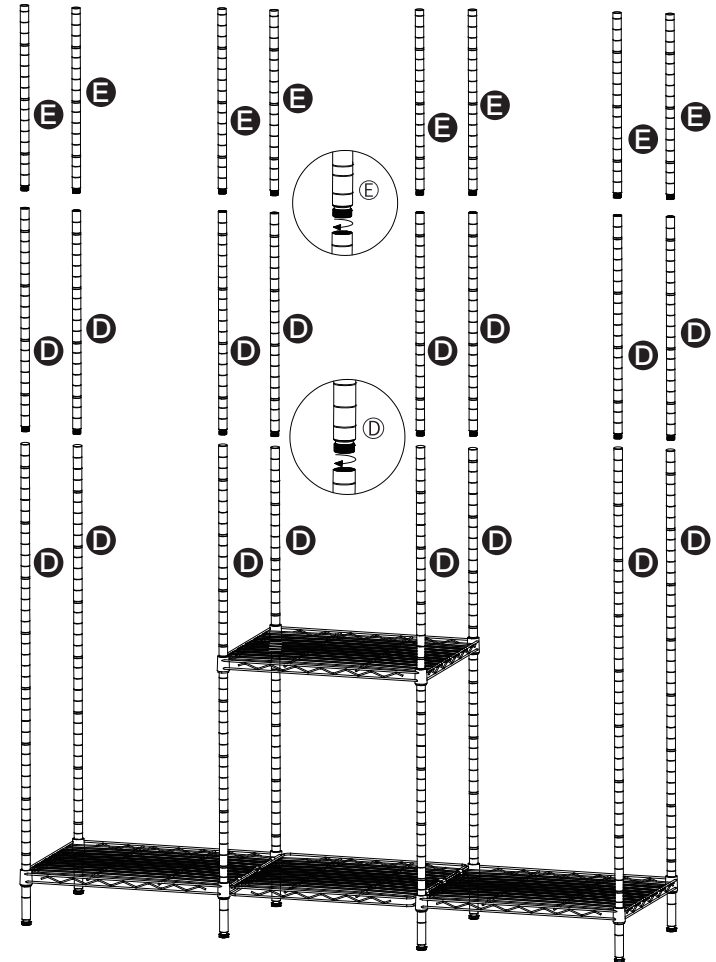
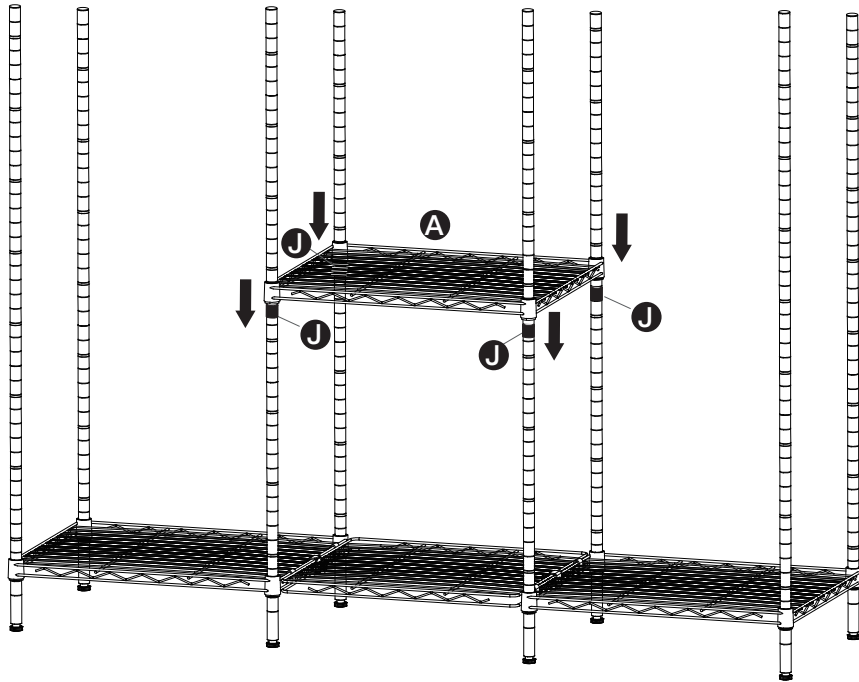
(1) Lock Clips (part **J**) as below.



Step 6

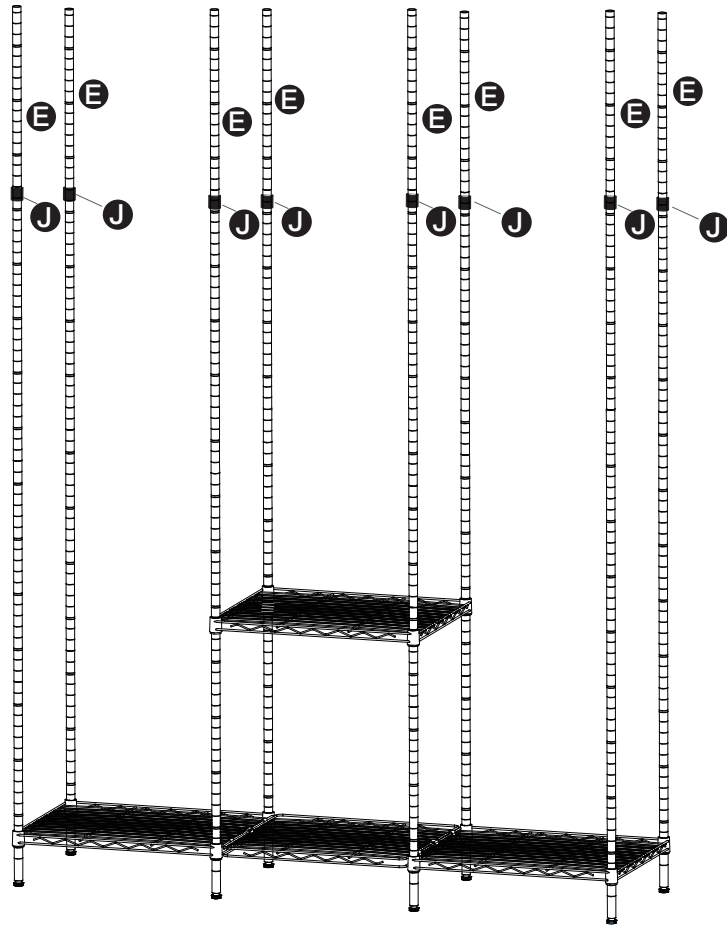
Connect 8 Middle Poles (part **D**) and 8 Upper Poles (part **E**) on 8 Middle Poles (part **D**) in order.

(2) Install Steel Shelves (part **A**) onto the Clip Groups.

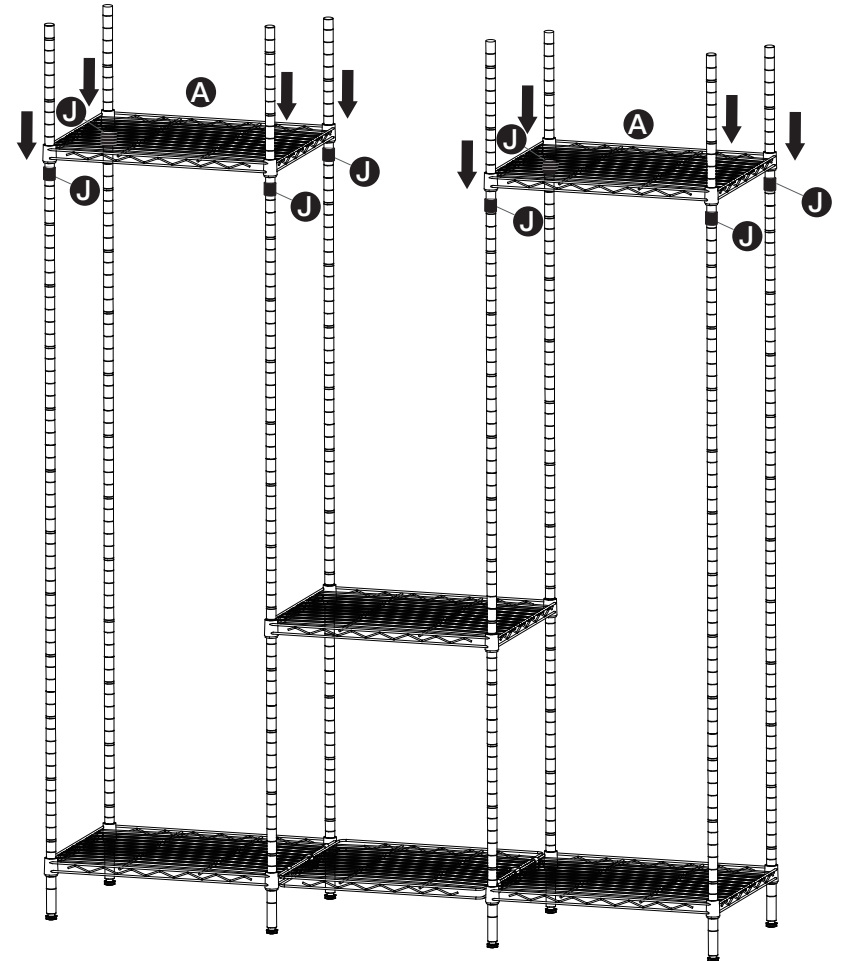


Step 7 Install (part **A**) on (part **E**).

(1) Lock Clips (part **J**) as below.

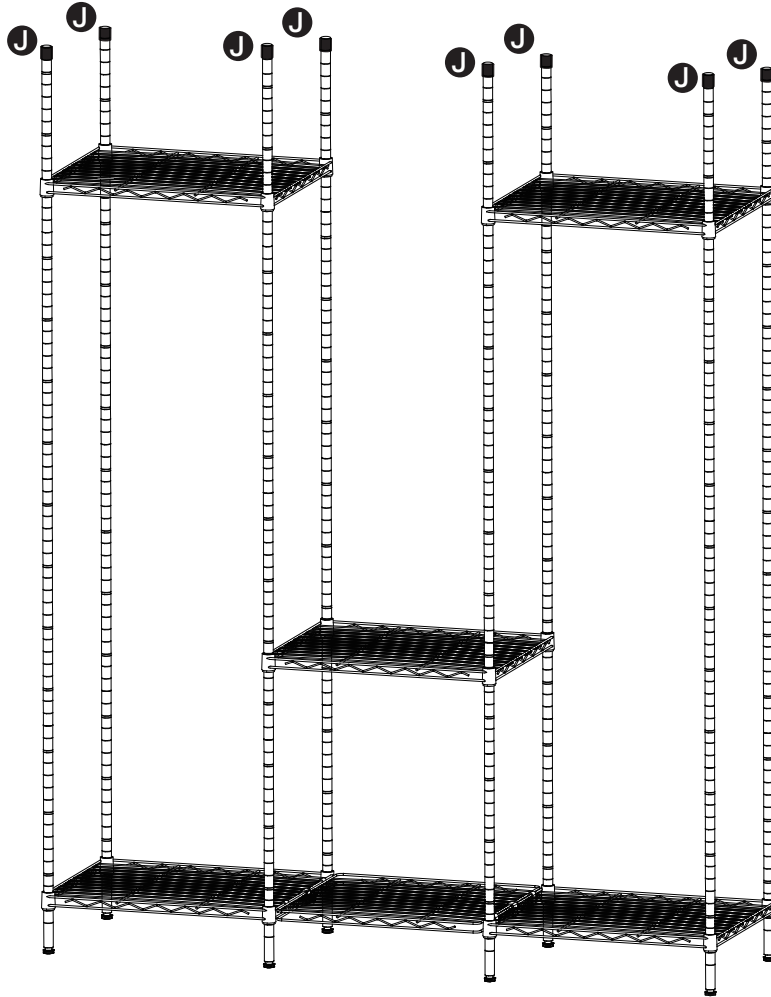


(2) Install Steel Shelves (part **A**) onto the Clip Groups.

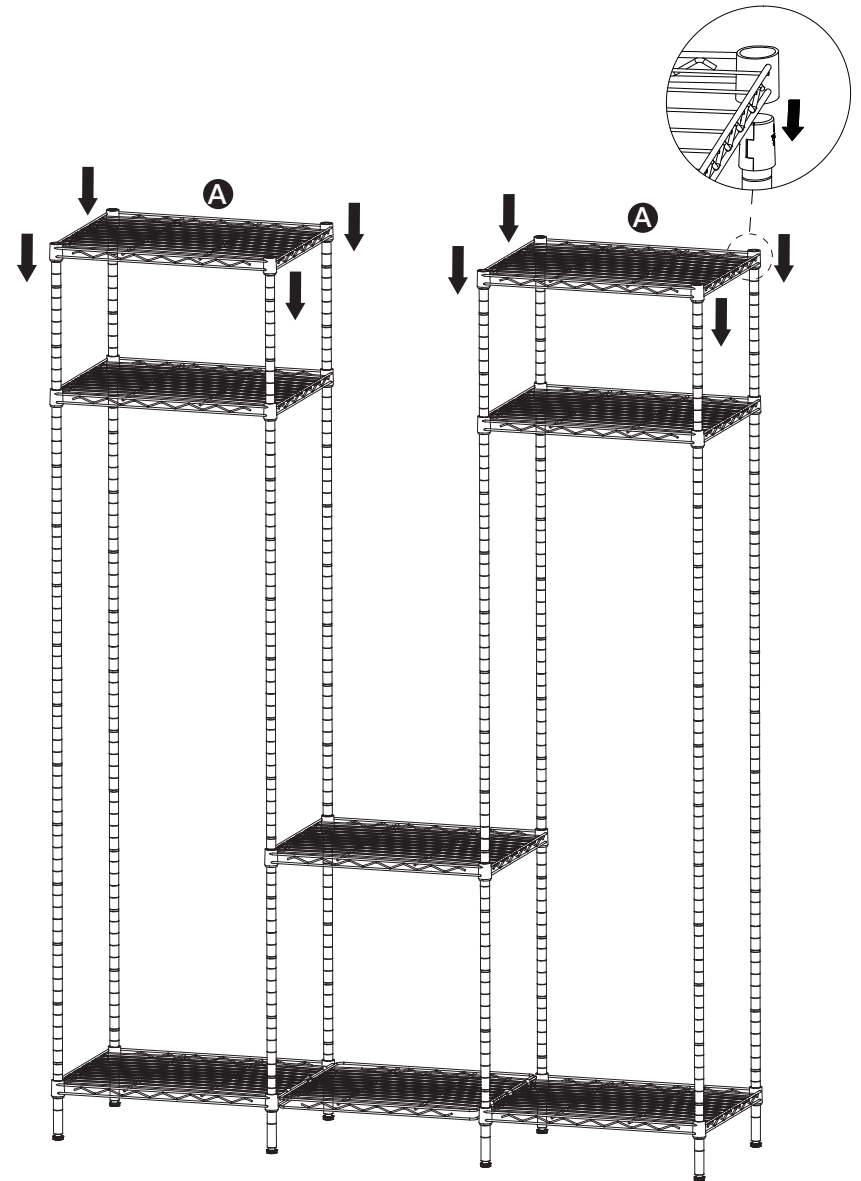


Step 8 Install (part **A**) on (part **E**).

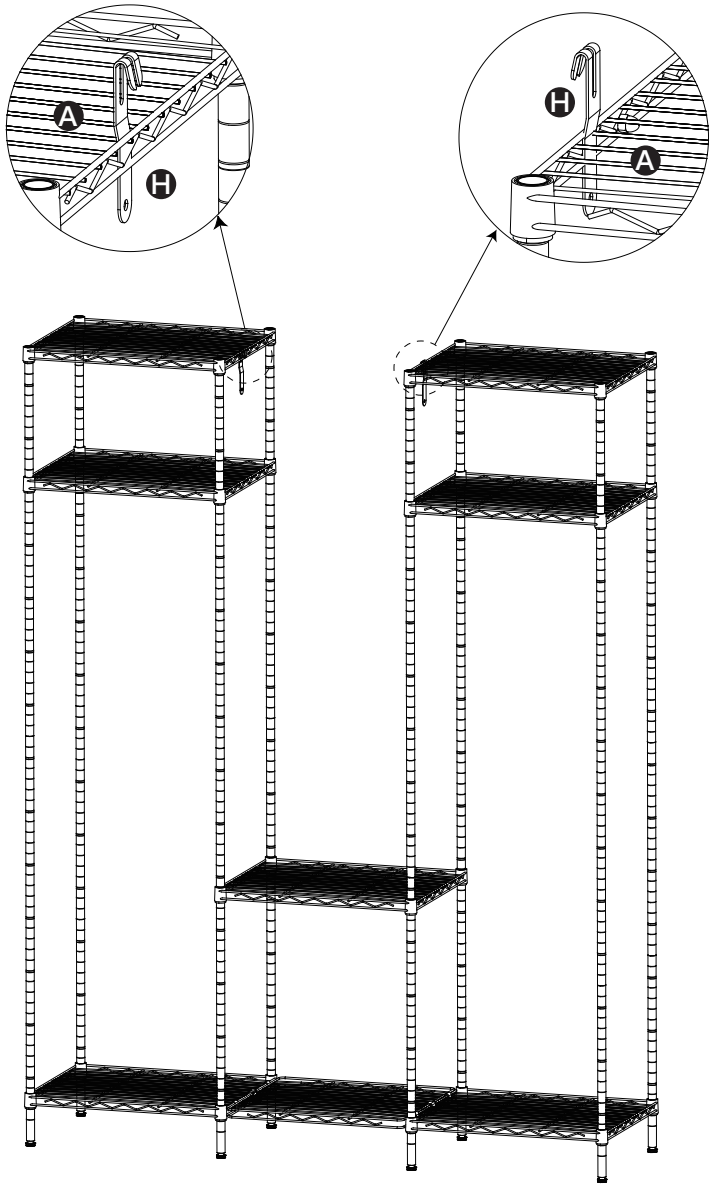
(1) Lock Clips (part **J**) as below.



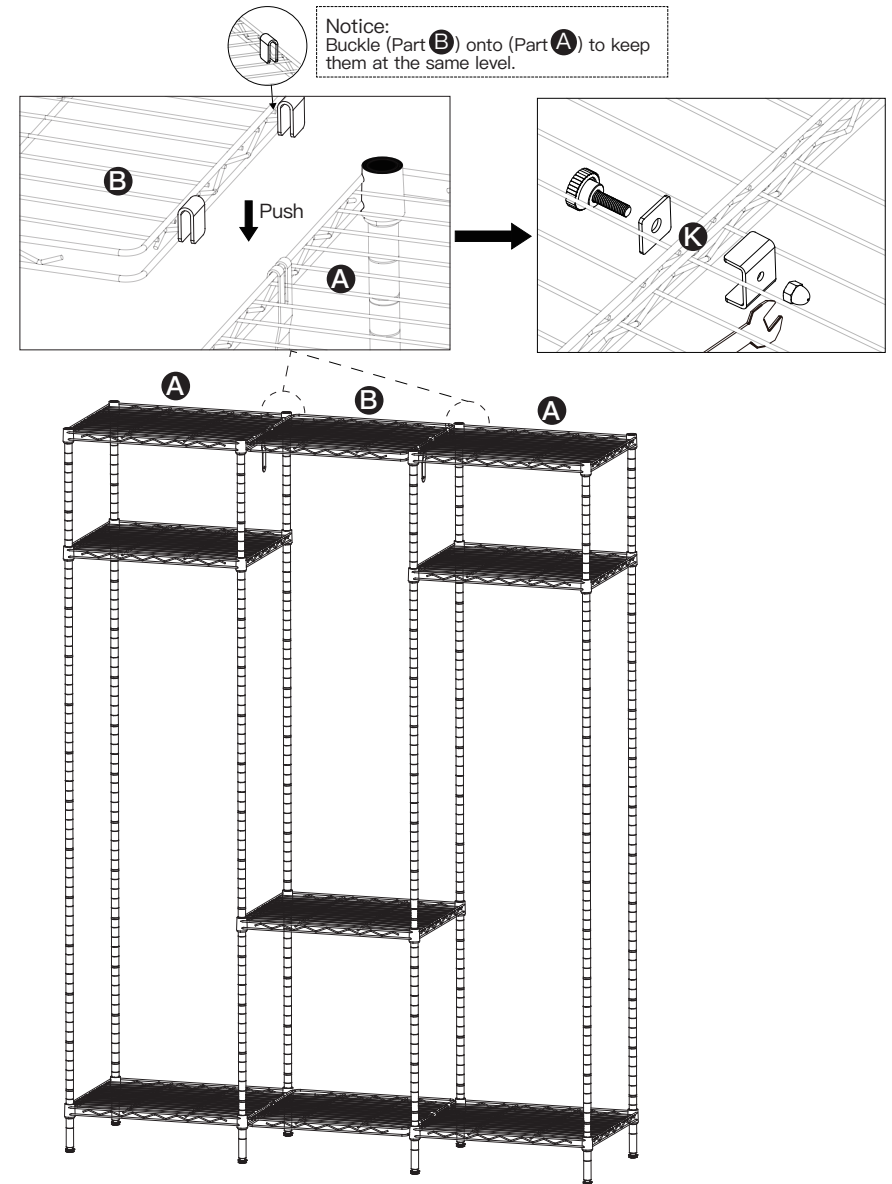
(2) Install Steel Shelves (part **A**) onto the Clip Groups.



Step 9 Attach (part **H**) on (part **A**).

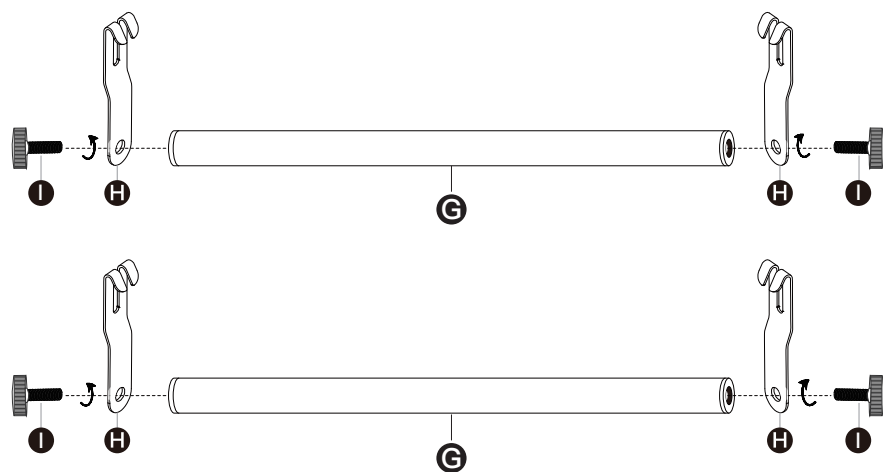
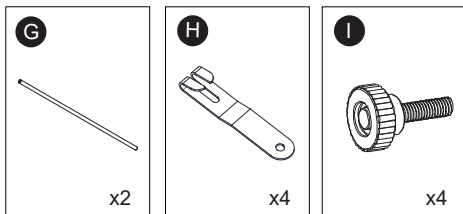


Step 10 Connect (part **A**) with (part **B**), use (part **K**) to tighten them.



Step 11

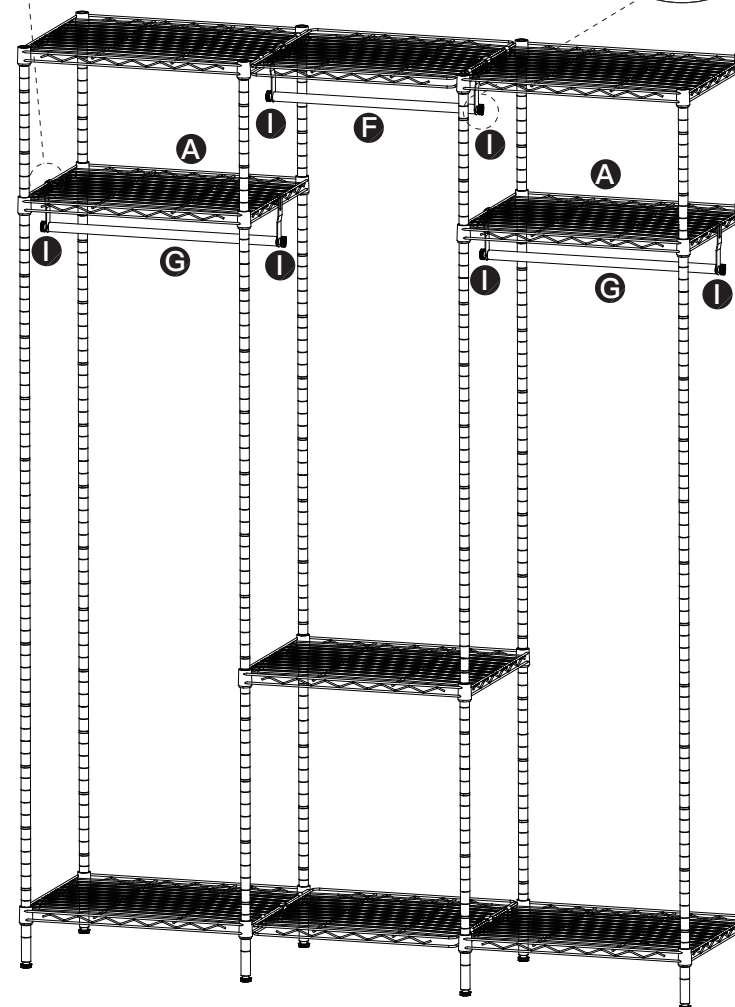
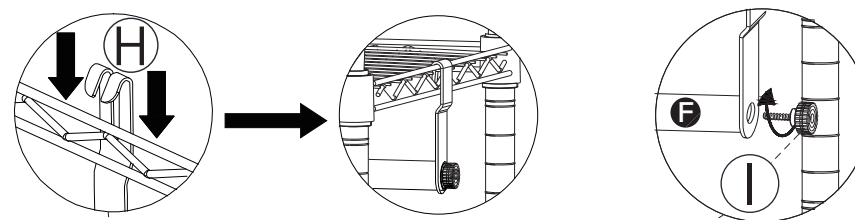
Install (part **H**) on each end of (part **G**), and tighten them with (part **I**).



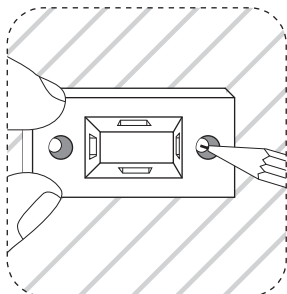
NOTICE: Do NOT tighten part **I** until next step.

Step 12

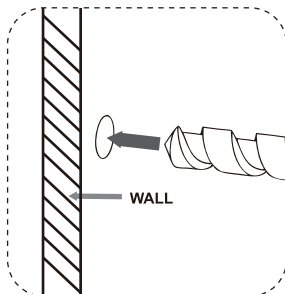
Connect 2 hooks that Step 9 installed with part **F**, use part **I** to tighten. Install the hangers on part **A** and tighten part **I**.



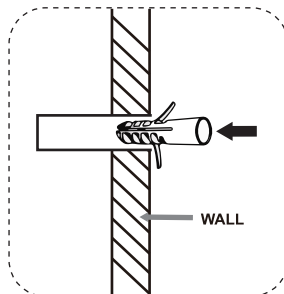
Step 13 (Optional) Install (part **L**) to keep the rack more stable.



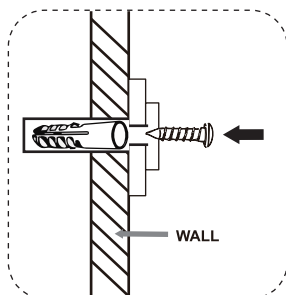
(1) Mark the location of bolt hole.



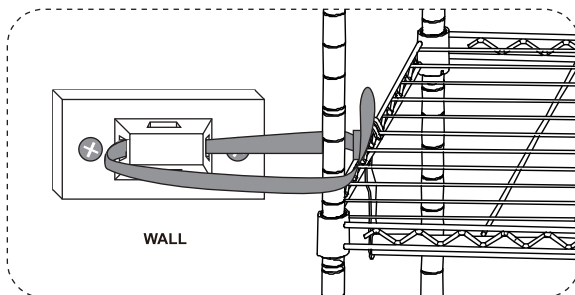
(2) Drill holes at marked location.



(3) Press the protective bolts in the wall.



(4) Fix the safety lock on the wall with bolts.



(5) Get the safety belts cross the lock and clothes rack, then get fastened.