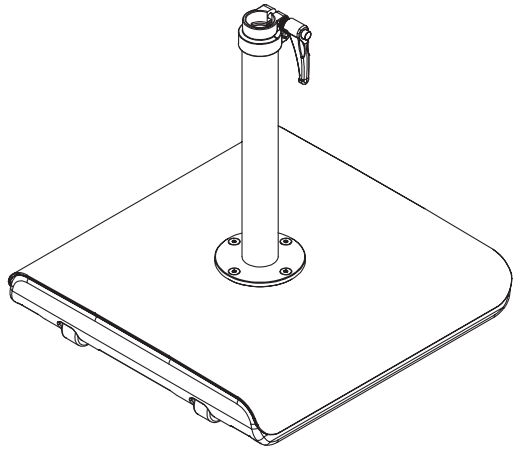


# assembly guide



## ATHENS *base*

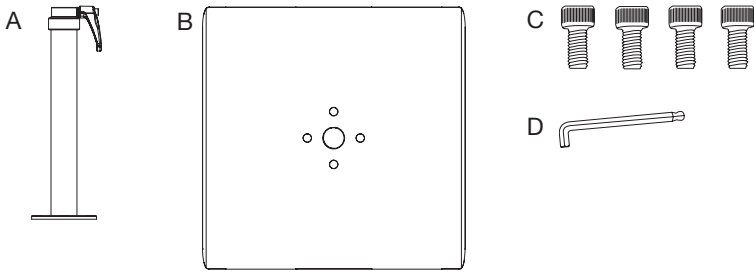
## CHECKLIST

A - (1) Base Stem with Self-Adjusting Base Clamp

B - (1) Base with Wheels

C - (4) Bolts

D - (1) 5mm Hexagon Wrench



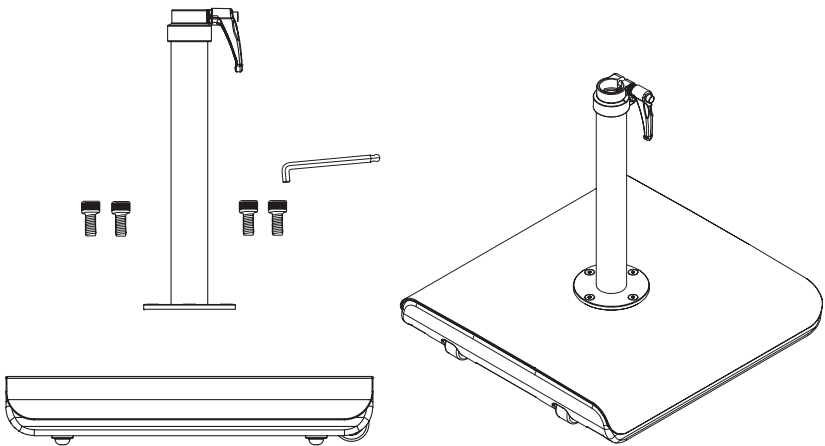
### IMPORTANT:

Prior to assembly it is important to decide on the location of the umbrella.

- Allow ample height to avoid damage to your umbrella during assembly and usage.
- Choose a location that is level and sturdy.
- Avoid any sloping or soft ground.

### Assemble Base

- Carefully remove base from carton and place in desired location.
- Attach stem to base with provided (4) bolts (Fig. 1). Tighten using 5mm hexagon wrench.



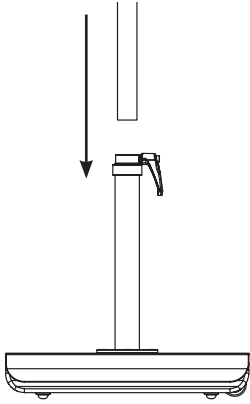
(Fig. 1)

## Secure Umbrella

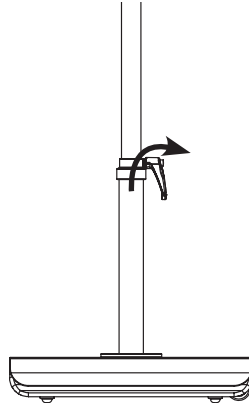
---

- Insert umbrella into base stem (Fig. 2).
- Tighten self-adjusting base clamp by turning clockwise to secure umbrella in place (Fig. 3).

**NOTE:** Self-adjusting clamp on base stem may loosen over time, especially when being moved. Simply tighten clamp during use of umbrella.



(Fig. 2)



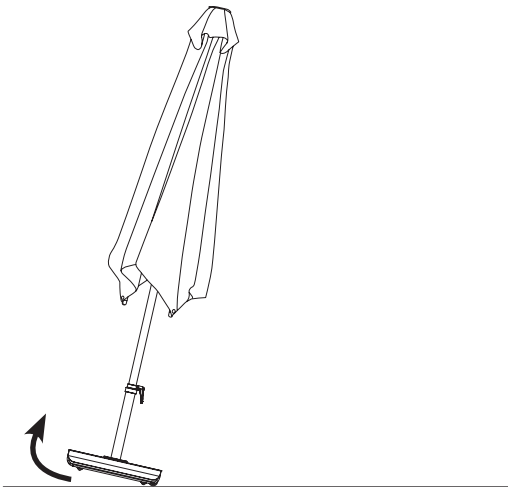
(Fig. 3)

## Moving Base

---

- To move base to another location, slightly tilt umbrella and base back onto its 2 wheels. (Fig. 4). While holding umbrella, carefully roll base to new desired location.

**NOTE:** Move with caution. Make sure umbrella is in closed position and free of objects before moving base to prevent personal injury or property damage.



(Fig. 4)

## Safety and Precautions

---

- To reduce risk of personal injury in which a person is injured or harmed, and/or damage to personal property, read and follow the Assembly Guide prior to assembling and operating umbrella and base.
- Close and store the umbrella in windy conditions or when a storm approaches. Never allow the umbrella to flap in the wind; this could cause personal injury, damage to personal property, damage to umbrella and/or umbrella canopy. Do not use tilting function (if applicable) during windy conditions.
- Keep umbrella secured to umbrella base at all times.
- Do not leave open umbrella unattended. If damage occurs, this is not covered by the warranty.
- When adjusting the umbrella, make sure that no person(s), item(s) or personal property are close to the umbrella. This is important to prevent injury or material damage.
- Do not allow children to play on or with umbrella or umbrella base.
- When adjusting or assembling the umbrella or umbrella base, make sure fingers, toes or any other parts of the body are clear from moving parts. Failing to do so may result in serious injury.

*For warranty information, please visit [www.shademakerusa.com](http://www.shademakerusa.com).*

# shademaker

13401 Brooks Drive  
Baldwin Park, CA 91706  
p 626.338.8810  
f 626.338.8816  
[info@shademakerusa.com](mailto:info@shademakerusa.com)

**[shademakerusa.com](http://shademakerusa.com)**