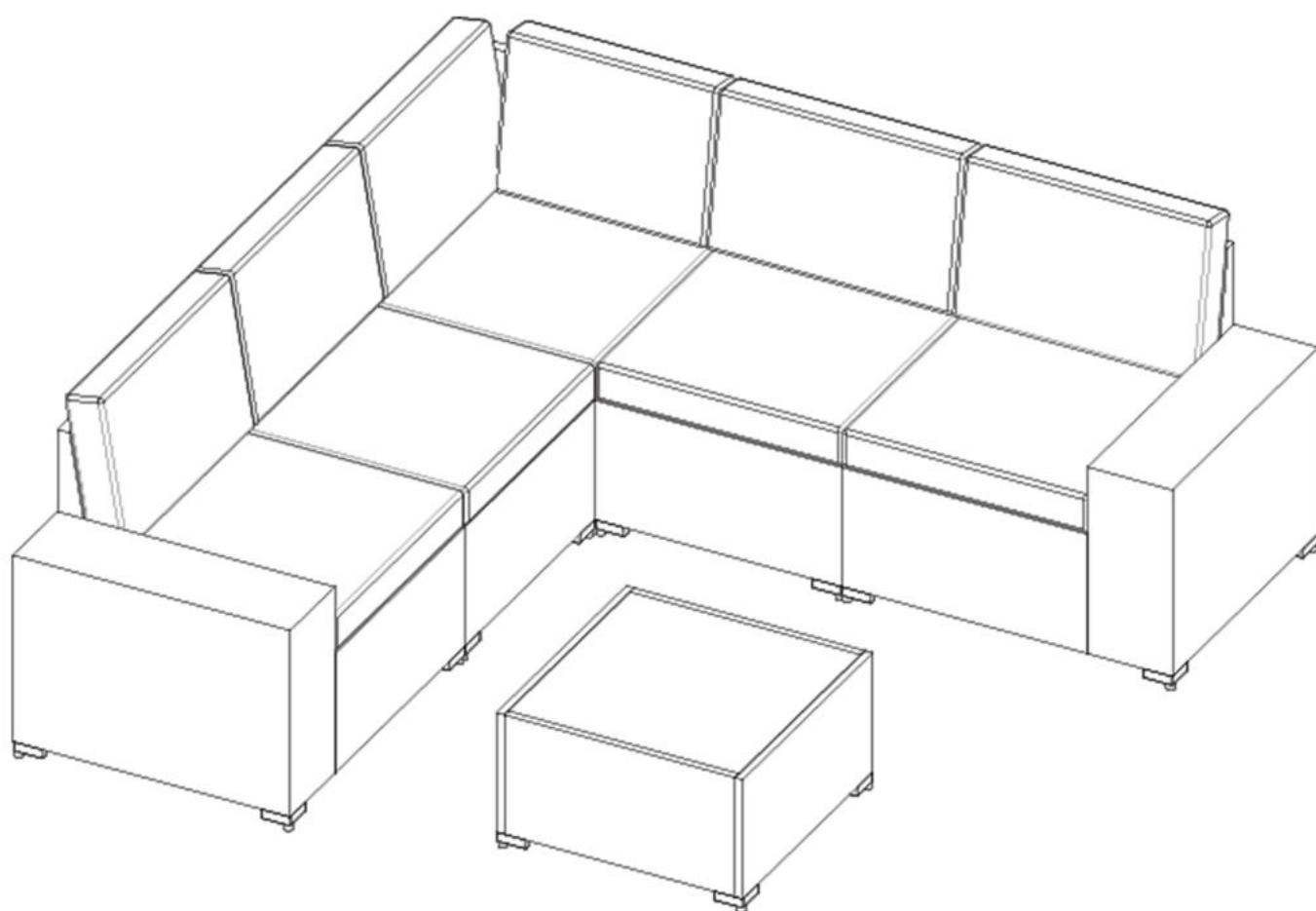


■ ASSEMBLY INSTRUCTIONS

■ 6-Piece

Patio Furniture Set



NOTE: DO NOT TIGHTEN THE SCREWS UNTIL THE ITEM IS COMPLETELY ASSEMBLED



THIS INSTRUCTION BOOKLET CONTAINS **IMPORTANT** SAFETY INFORMATION. PLEASE READ AND KEEP FOR FUTURE REFERENCE.

Important

Please Make a decision which model you want to put modules together, Because you have to use different parts to make it either a corner sofa or an armless sofa.

Option 1: Seat Part(G)+Back Part(E)+Side part(C), Can assemble it as the third armless sofa, then can put them together as living sofa set model(Figure a).

Option 2: Seat Part(G)+Back Part(E)+Long Back Part(F), Can assemble it as a corner sofa, then can put them together as corner sofa set model(Figure b).

Option 1

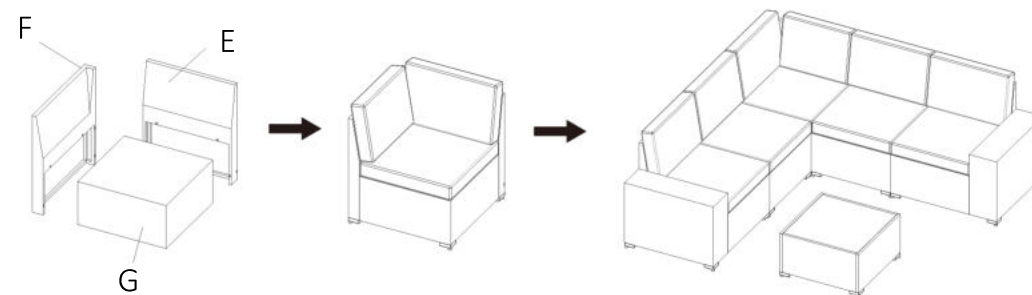


Armless Sofa

Figure A

6 Pcs Living Sofa Model

Option 2



Corner Sofa

Figure B

6 Pcs Corner Sofa Model

Care & Instructions

Thank you for ording the 6 pcs sofa set, here are some tips may help you:

1. This 6pcs sofa set comes in 3 boxes. If you only receive 1 or 2 boxes, please do not worry. The others will arrive very soon.

2. Carton A+Carton B: Mixed contains everything except the cushion covers. Carton C: Only Contains the cushion covers.

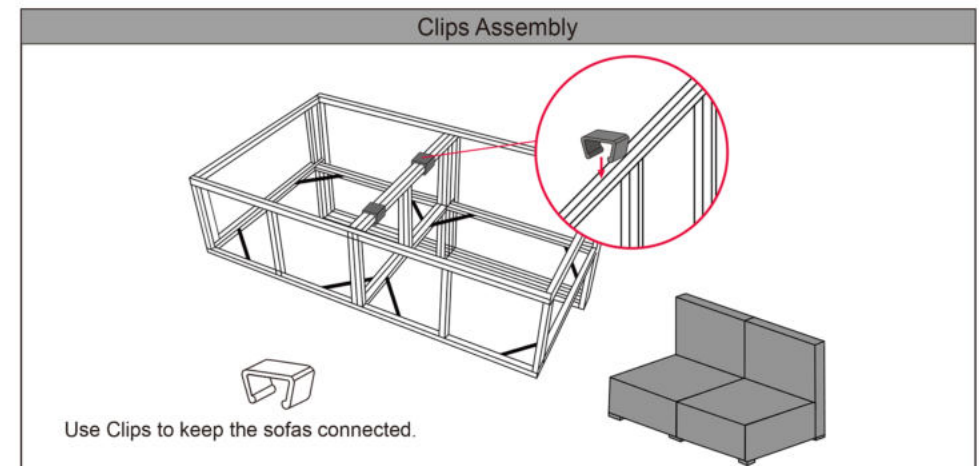
3. The cushions were vacuum packed, after opening the package, the cushions will fully after a while.

4. We only allow to upload 1 tracking number. If you want to know the others' tracking number, please contact us.

5. If any part is damaged or missing, please feel free to contact us. We will send you the replacement immediately.

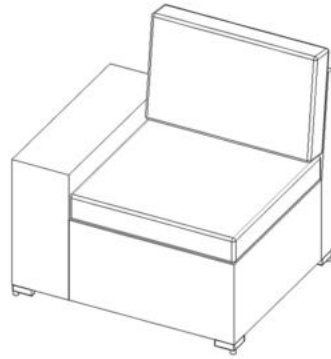
6. In order to prolong the sofa set's service life, we suggest that you put all the cushions indoors on a rainy day.

7. We hope you can enjoy our product, if you have any other problem, please feel free to contact us.

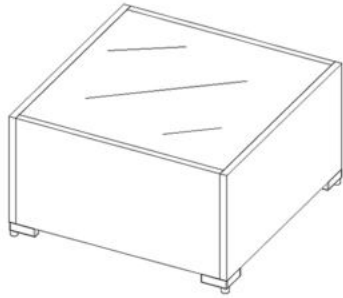




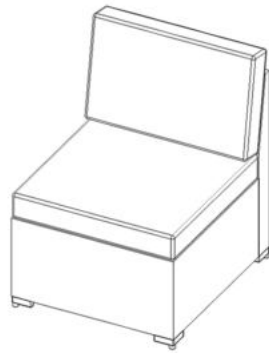
Left Sofa x 1



Right Sofa x 1



Coffee Table x 1



Armless Sofa x 2



Armless Sofa or Corner Sofa x 1

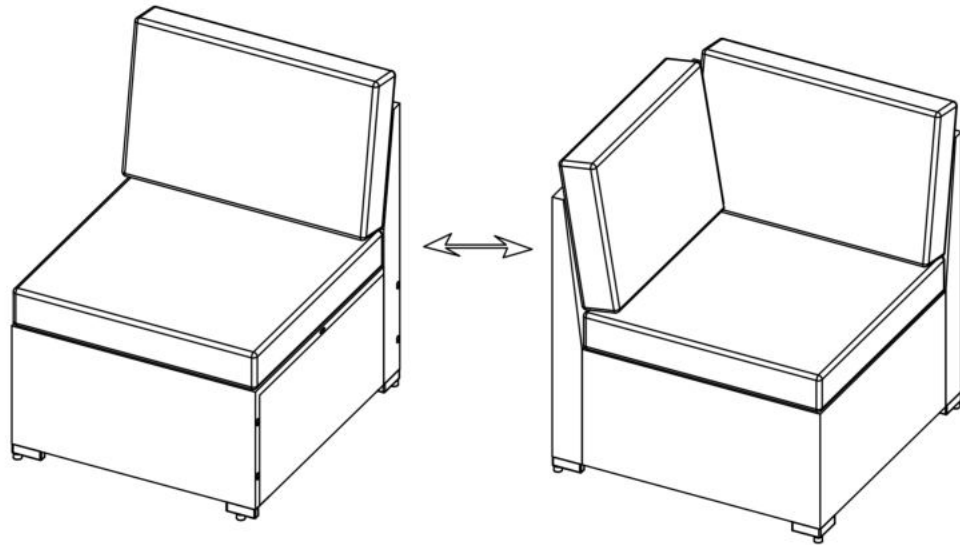
Corner Sofa Parts List

Assembly Instruction

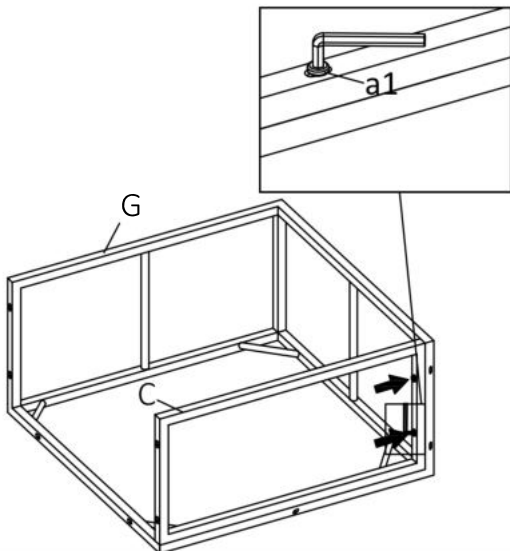
Ex 1 Pc	Fx 1 Pc	Gx 1 Pc
Cx 1 Pc	a8 x 5 Pcs	M6x30(a1) x 2 Pcs
		M6x20(a2) x 10 Pcs
Z x 4 Pcs	a7 x 1 Pc	M6x50(a3) x 11 Pcs
Y x 1 Pc		

Armless Sofa or Corner Sofa

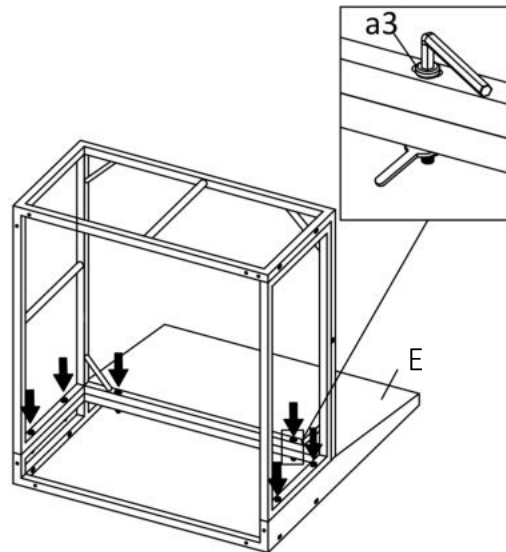
Assembly Instruction



Step 1: Install Seat Part and Side Part



Step 2: Install Back Part

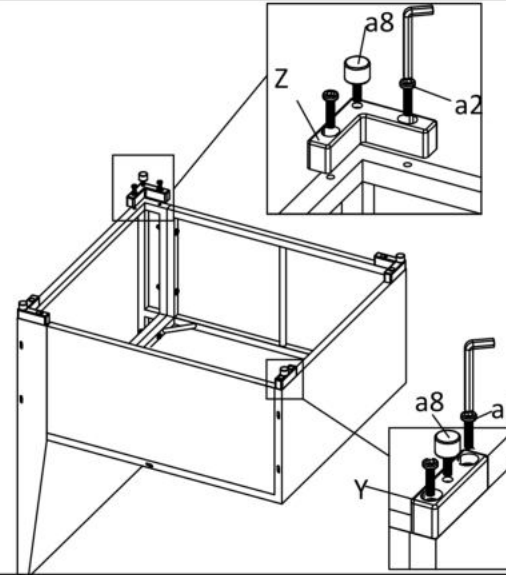


Corner Sofa

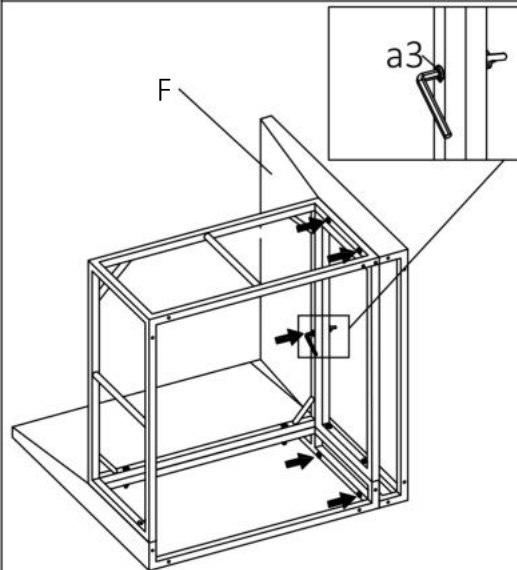
Assembly Instruction



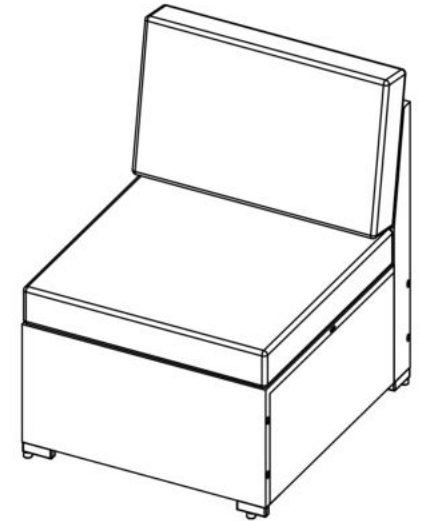
Step 3: Install L Shape Feet



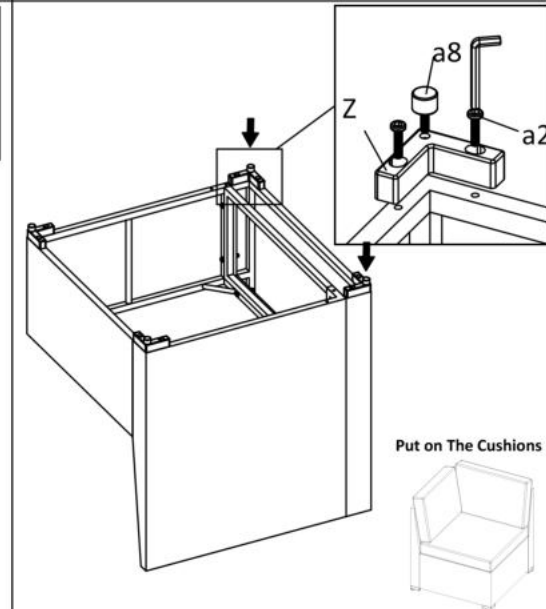
Step 3: Install Long Back Part



Put on The Cushions



Step 4: Install L Shape Feet



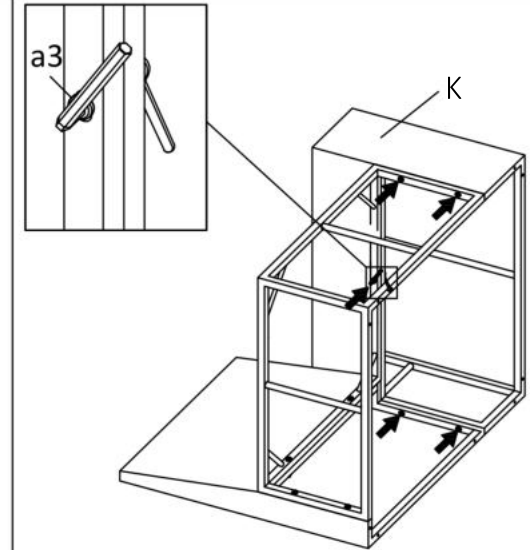
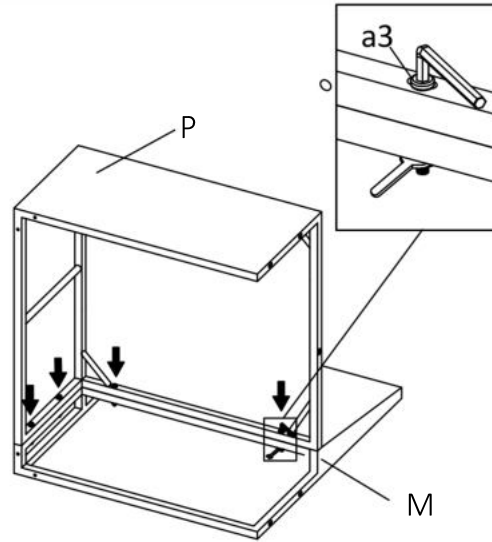
Left Arm Sofa Parts List

M x 1 Pcs	P x 1 Pcs	K x 1 Pcs
Z x 4 Pcs	a8 x 4 Pcs	M6x20(a2) x 8 Pcs
		M6x50(a3) x 9 Pcs
a7 x 1 Pc		

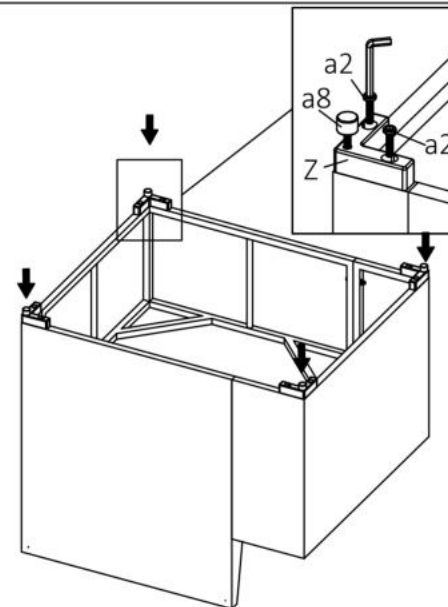
Left Arm Sofa Assembly Instruction

Do not use machine
 Two Persons together
 Need 25mins roughly

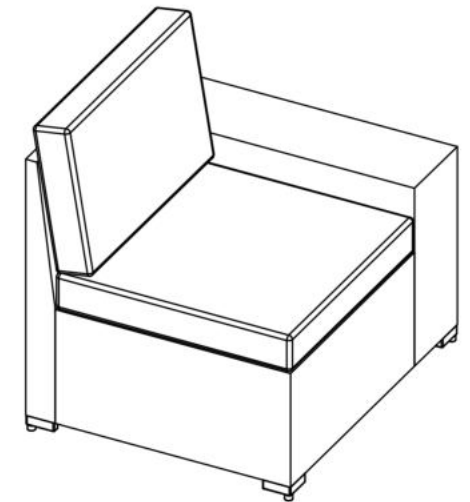
Step 1: Install Seat Part and Back Part Step 2: Install 6 Pcs Arm Part



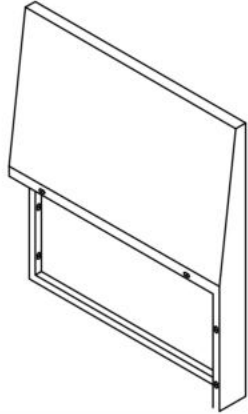
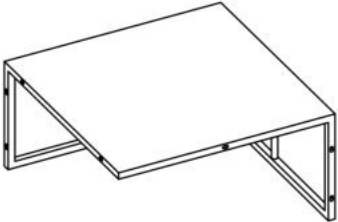
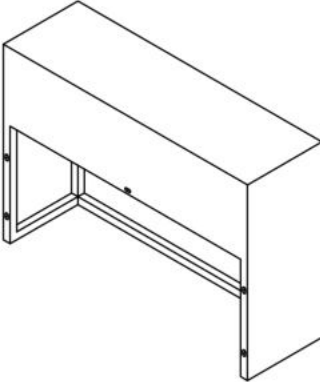
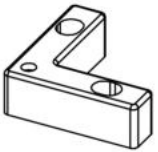





Step 3: Install L Shape Feet



Step 4: Put on The Cushions



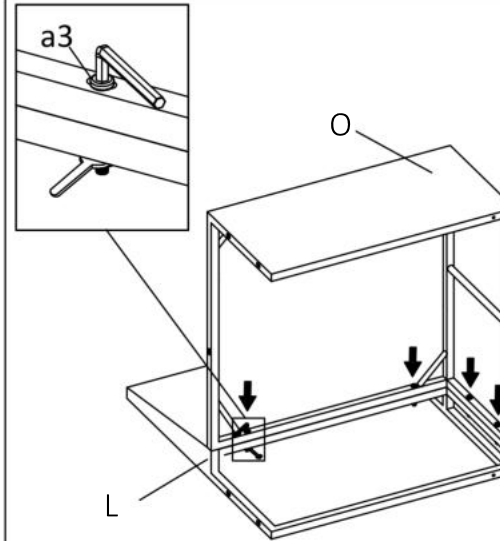
Right Arm Sofa Parts List

L x 1 Pc	O x 1 Pc	K x 1 Pc
		
Z x 4 Pcs	a8 x 4 Pcs	M6x20(a2) x 8 Pcs
		
		M6x50(a3) x 9 Pcs
		
a7 x 1 Pc		
		
		

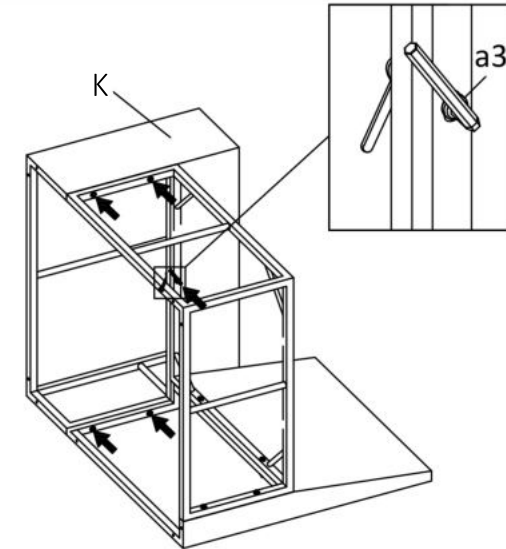
Right Arm Sofa Assembly Instruction

 Do not use machine
 Two Persons together
 Need 25mins roughly

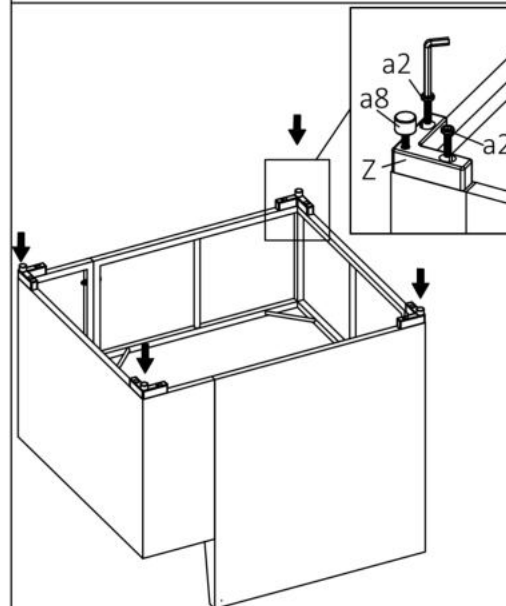
Step 1: Install Seat Part and Back Part



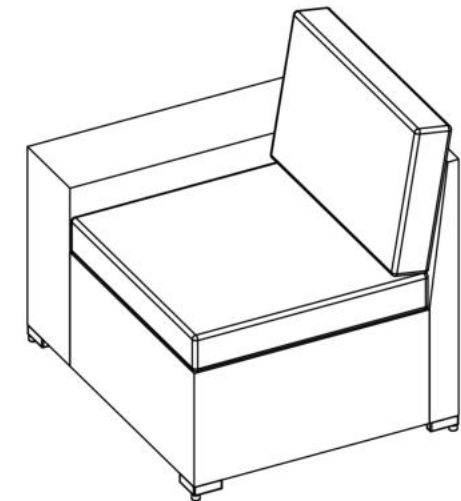
Step 2: Install 6 Pcs Arm Part



Step 3: Install L Shape Feet



Step 4: Put on The Cushions



Armless Sofa Parts List

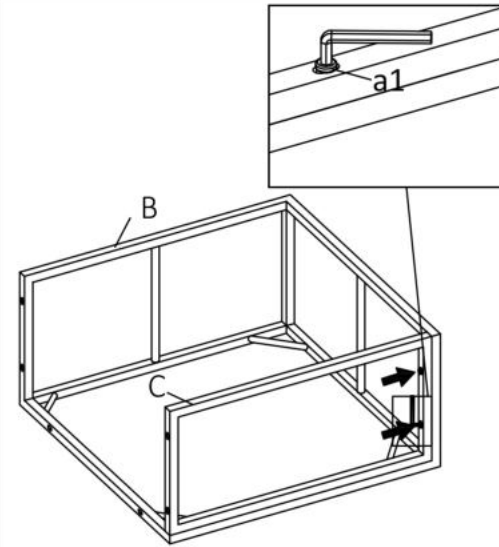
Ax 2 Pcs	Bx 2 Pcs	Cx 2 Pcs
Z x 6 Pcs	a8 x 8 Pcs	M6x30(a1) x 4 Pcs
		M6x20(a2) x 16 Pcs
Y x 2 Pcs	a7 x 1 Pc	M6x50(a3) x 12 Pcs

Armless Sofa

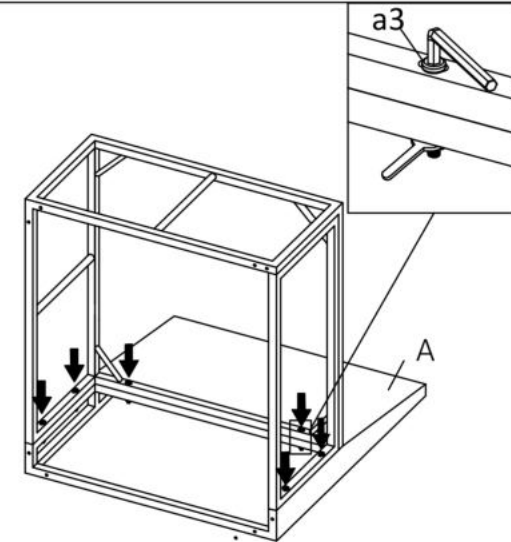
Assembly Instruction

Do not use machine
 Two Persons together
 Need 25mins roughly

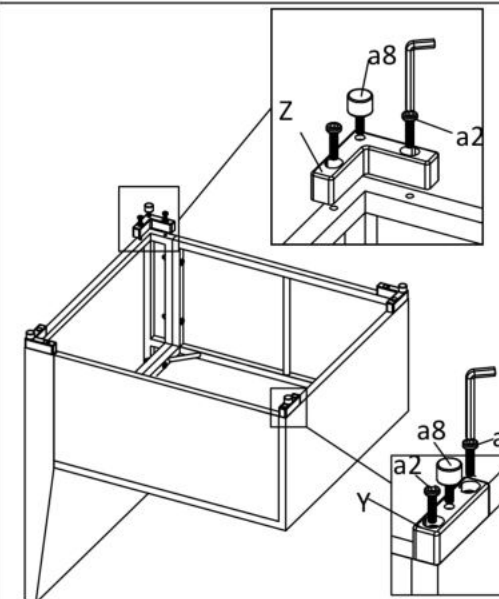
Step 1: Install Seat Part and Side Part



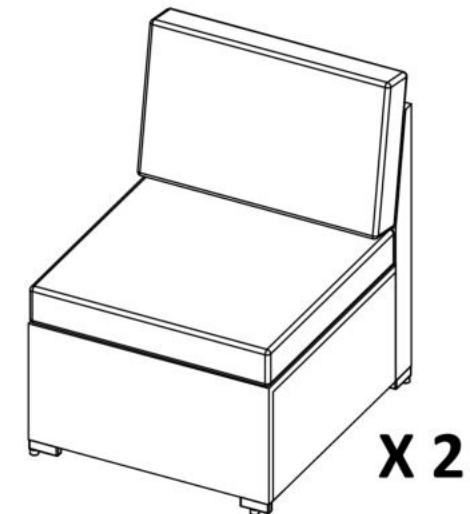
Step 2: Install Back Part



Step 3: Install L Shape Feet



Step 4: Put on The Cushions



Coffee Table Parts List

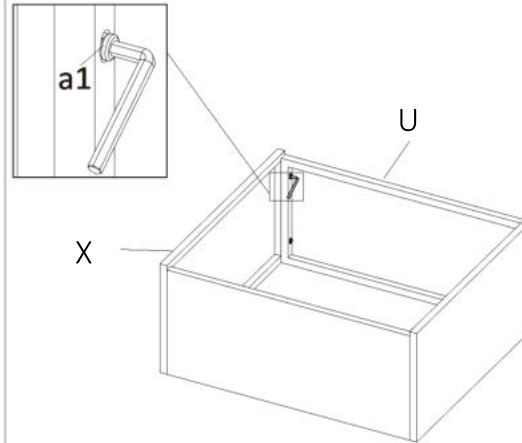
U x 2 Pcs	X x 2 Pcs	W x 1 Pc
Z x 4 Pcs	a8 x 4 Pcs	M6x30(a1) x 8 Pcs
		M6x20(a2) x 8 Pcs
a7 x 1 Pc		

Coffee Table

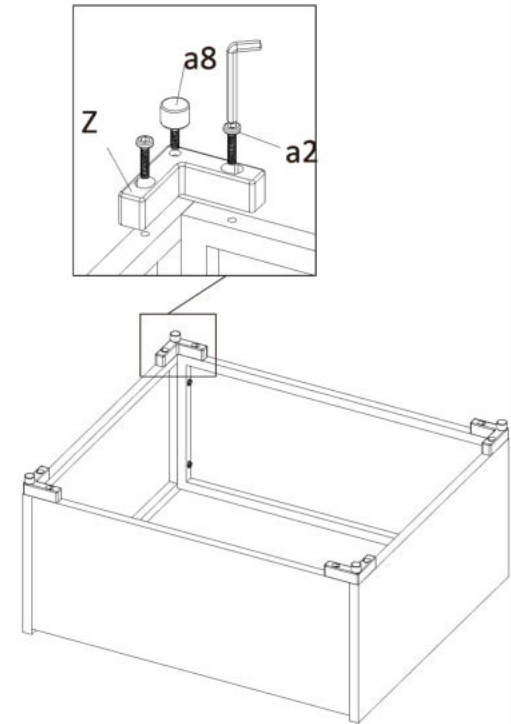
Assembly Instruction

 Do not use machine
 Two Persons together
 Need 25mins roughly

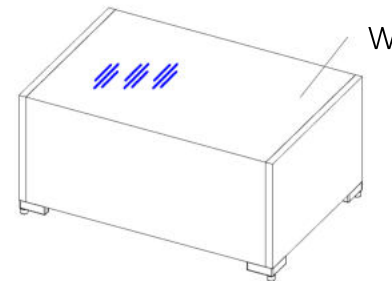
Step 1: Install Side 1 And 2 Parts



Step 2: Install L Shape Feet



Step 3: Put on The Top Glass



How to Cover Holes



There may be some holes in these sofas. We supply some PE wicker material which you can use to cover these holes although they are invisible when put it at the middle of right sofa and left sofa.



Step 1



Step 2



Step 3



Step 4

You might use two pieces PE wicker to cover the hole, and repeat the steps to cover all the holes. These PE wicker also can be used to repair the scratch or broken wicker.

6pcs Sofa Set Cushion Manual



5pcs white foam for seat cushion
5pcs white foam filler for long back pillow
1pc white foam filler for short back pillow



5pcs long back pillow covers
1pc short back pillow covers



5pcs seat cushion covers



Open pillow filler packing



Put the pillow filler inside the cover



Back pillow



Open seat cushion white foam packing



Put the white foam inside the cover



Seat Cushion



- 1pc short back pillows
- 5pcs long back pillows
- 5pcs seat cushions

Please Note:

Because the cushion and pillow infilling is vacuum packed, so after you open the bag and put them into the covers, the springback of the PP cotton of pillow needs some more time than the white foam cushion, usually need 3-4 days. It can make the time shorter if slapping the pillows with the palm or other flat object.