

Assembly Instructions

T O M M Y  H I L F I G E R  
H O M E

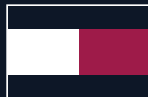
SOFA

Thank you for purchasing a piece of furniture from Tommy Hilfiger.

Tommy Hilfiger is one of the world's leading designer lifestyle brands and is internationally recognized for celebrating the essence of classic American cool style with a preppy twist.

Introduced in 1985, Tommy Hilfiger has achieved strong global brand awareness and recognition and it occupies a unique position as a premium brand, offering quality apparel, accessories and lifestyle products.

Your home is where you express your true style. Welcome home.



# Information

## FAILURE TO FOLLOW THESE WARNINGS WHEN IN USE COULD RESULT IN INJURY

- Do not stand on the item or use as a step ladder.
- Do not use this item unless all bolts and screws are firmly secured.
- Check all bolts and screws every 90 days. Tighten if any are loose.
- Please lift up before moving. Pushing or dragging this product can result in an injury or cause damage to the floor and furniture piece.

## CUSTOMER SERVICE

Our primary objective is to provide fast, friendly customer service to all of our customers. We are here to help if you have any questions, comments, or are in need of warranty replacement parts.

Please call us toll free at: 1-855-372-2315 (U.S.)

Monday - Friday 6:00am - 5:00pm PST

0-800-051-6775 (U.K.)

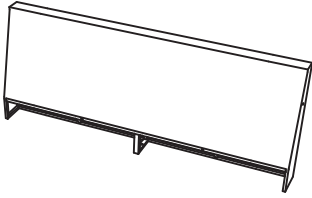
Monday - Friday 2:00pm - 1:00am GMT

Or visit our website:

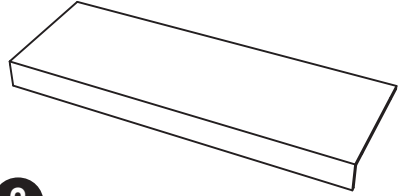
[www.trueinnovations.com](http://www.trueinnovations.com)



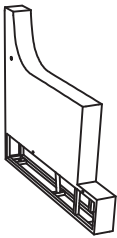
# Part List



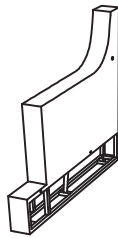
**1**  
Back Frame (1)



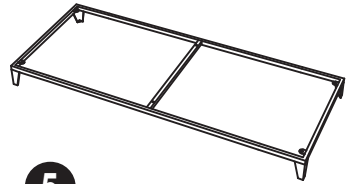
**2**  
Seat Frame (1)



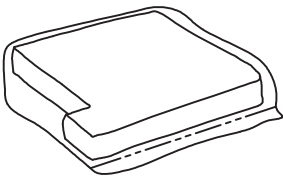
**3**  
Right Arm (1)



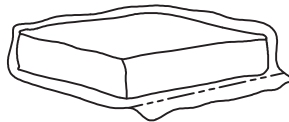
**4**  
Left Arm (1)



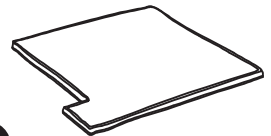
**5**  
Base (1)



**6**  
Seat Cushion (L& R)  
(2)



**7**  
Seat Cushion (M)  
(1)



**8**  
Left Seat Cover (1)



# Part List



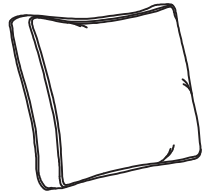
**9**

**Seat Cover (M) (1)**



**10**

**Right Seat Cover (1)**



**11**

**Back Cushion (1)**



**12**

**Pillow (2)**



# Part List



**A**

**Bolts**  
**M6 x 55 MM (8)**



**B**

**Bolts**  
**M6 x 35 MM (6)**



**C**

**Washers (22)**



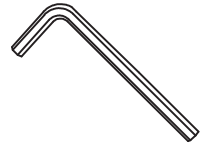
**D**

**Lock Washers (12)**



**E**

**Nuts (12)**



**F**

**Allen Key (1)**

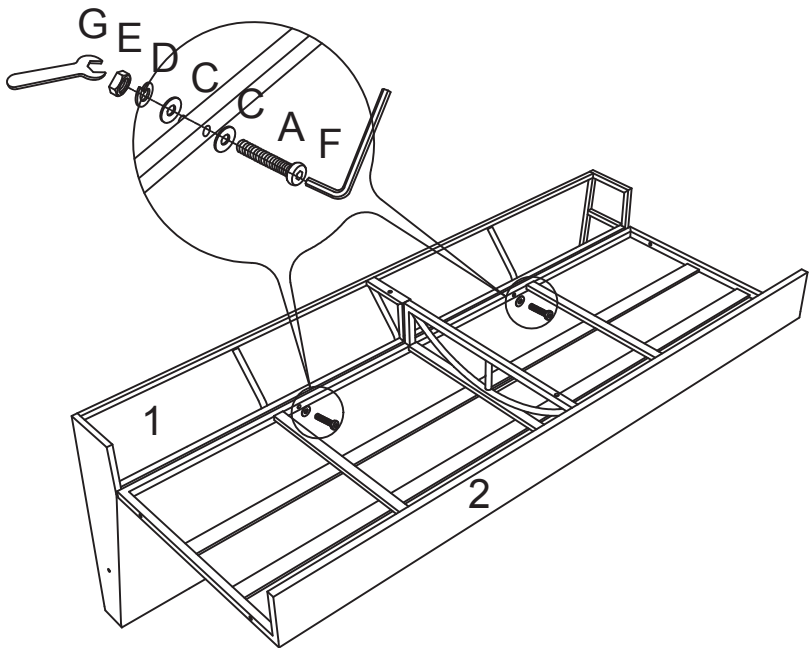


**G**

**Wrench (1)**

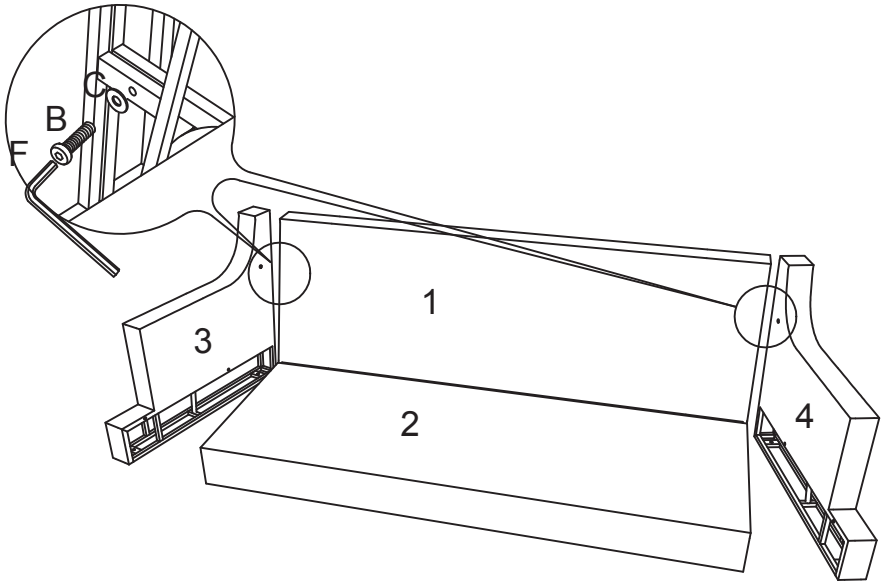


1. Ensure all parts have been removed from the carton and place on a protected surface or carpet.
2. Check all parts and hardware are the same as the “Parts List”.
3. Connect Seat Frame (2) to Back Frame (1) with Bolts (A), Flat Washers (C) through frame with Flat Washer (C), Lock Washer (D) & Nut (E).
4. Tighten with Allen Key (F) & Wrench (G).



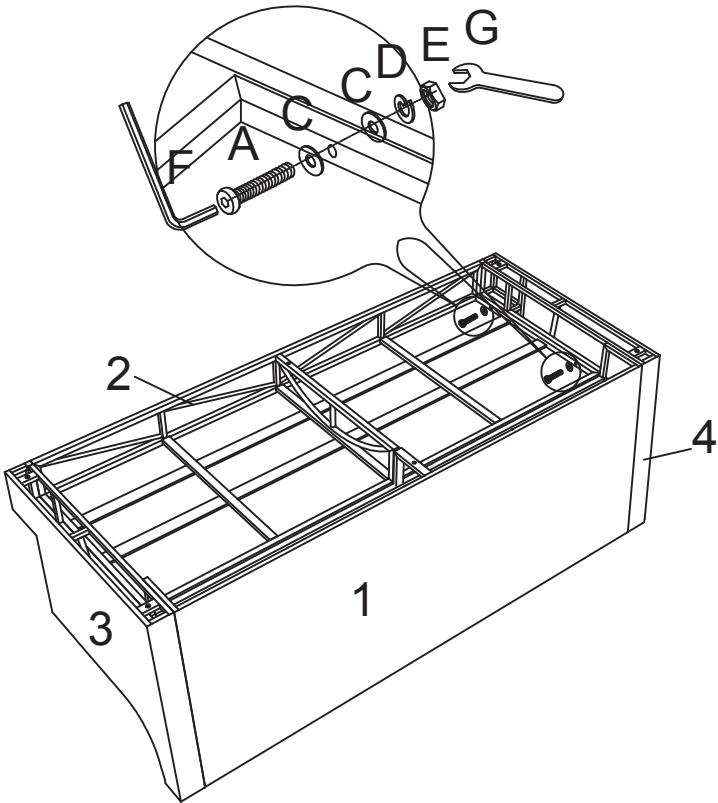
**2.** I. Connect Right Arm (4) & Left Arm (3) to Back Frame (1) with Bolts (B), Flat Washers (C).

Then tighten with Allen Key (F).

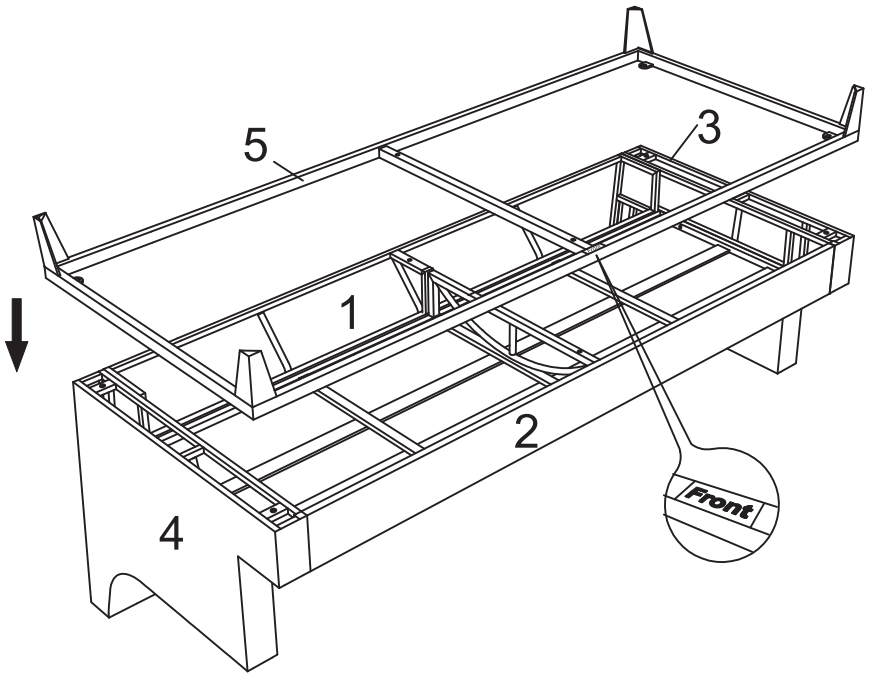




- 3.** 1. Attached Base Frame (5) to the assembly unit with Bolts (B), Flat Washers (C) through frame with Flat Washer (C) Lock Washer (D) & Nut (E).
2. Tighten with Allen Key (F) & Wrench (G).

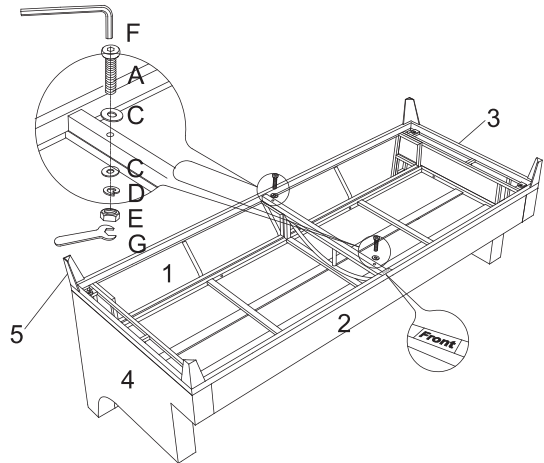
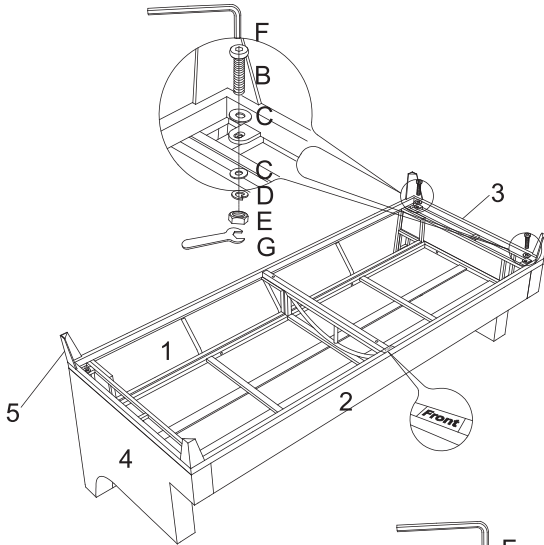


**4.** Attached Base Frame (5) to the assembly unit.

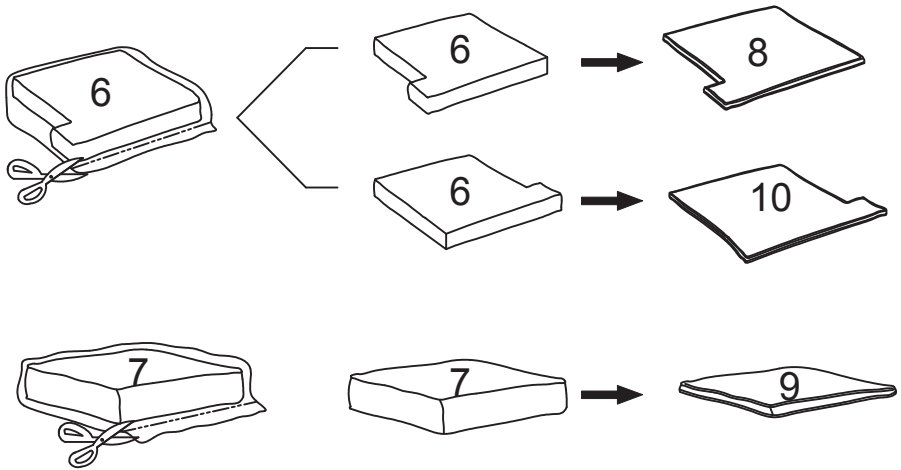


**5.** 1. Fasten the side rail of Base Frame (5) to Arm (3) & (4) with Bolts (B), Flat Washers (C). Then, tighten with Allen Key (F) & Wrench (G).

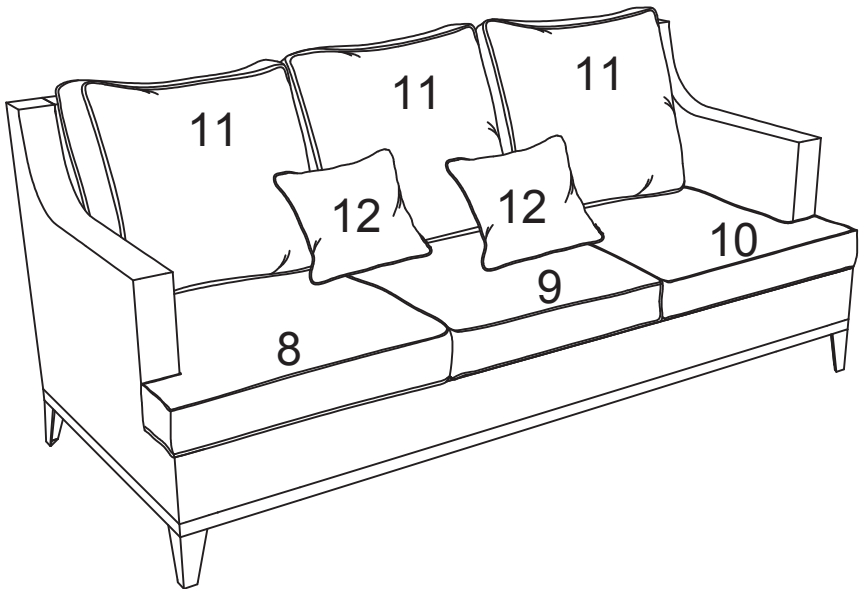
2. Fasten the central rail of base Frame (5) to Seat Frame (2) with Bolts (A), Flat Washers (C) through frame with Flat Washer (C), Lock Washer (D) & Nut (E). Then tighten with Allen Key (F) & Wrench (G).



- 6.** 1. Open the vacuum packed Seat Cushions (6) x 2 by carefully cutting the bags with a pair of scissors. Insert the Seat Cushions (6) into the appropriate Left Seat Covers (8) & Right Seat Cover (10). Remember to keep the top side of the Seat Cushions (6) with the top side of the Seat Covers (8) & (10).
2. Open the vacuum packed Seat Cushions (7) by carefully cutting the bags with a pair of scissors. Insert the Seat Cushions (7) into the appropriate Seat Covers (9).



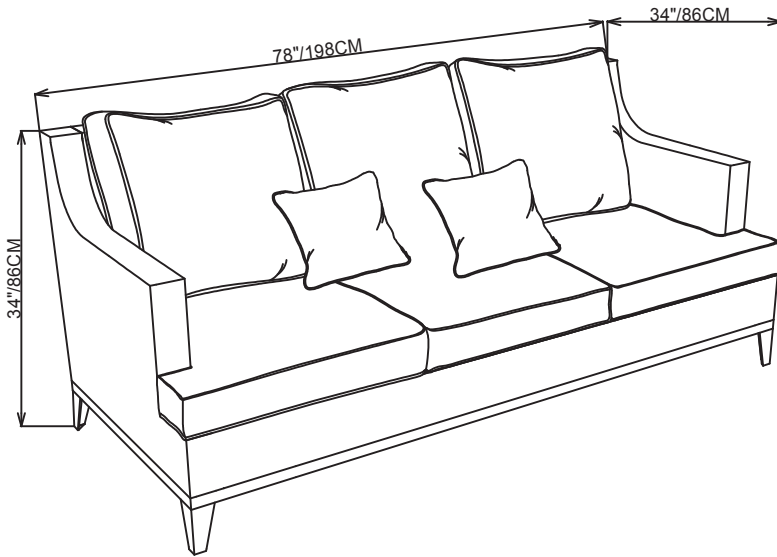
- 7.** 1.Fluff all cushions and pillows to allow them to expand. Seat and back cushions may take 24-48 hours to fully expand, which will allow wrinkles and indentations caused by packing to fade.
- 2.Lastly, position all cushions (8), (9), (10) & (11) and Pillows (12) on the sofa.



Periodically (every 90 days) make sure that the bolts are still fully tightened.  
**ATTENTION:** Be certain that all bolts are fully tightened before using sofa



# Dimension For Reference



# Limited Warranty

The manufacturer's products are warranted against defects in material and workmanship while owned by the "Original Purchaser". The term "Original Purchaser" is defined as the party or entity which purchases this manufacturer's furniture from an authorized retailer as shown by the original sales receipt. This warranty does not apply to "as is" or previously owned products.

The manufacturer warrants its products to be free from defects in materials and workmanship (normal wear and tear, fading and stretching excepted), for one year from the date of purchase, except as provided below under the limited warranty. The exceptions or exclusions to this warranty are as follows:

1. Any warranty claim that is submitted after the limited warranty period, or without proper proof of purchase will not include the cost of parts, labor, or delivery.
2. This warranty shall not apply to the manufacturer's products which have been subjected to misuse, neglect, alteration, modification, or attachments, either caused by the Original Purchaser, shipping, storage, accident, fire, flood, or acts of God.

In the event of a defect in material or workmanship covered by this warranty, the manufacturer will repair or replace, at their discretion, without charge the warranted parts within a reasonable amount of time. We reserve the right to require damaged parts to be returned to us upon request. Natural markings such as scars, brands, grain variations, wrinkles, color variations, etc. will be considered normal characteristics and not construed as defects.

For claims or questions concerning this warranty, please contact customer service department on the web at [www.trueinnovations.com](http://www.trueinnovations.com). Be prepared to provide your name, address, daytime phone number, the model and purchase order number of the product, date of purchase, and the website where it was purchased. The manufacturer requires that the original sales receipt be submitted with all requests to confirm that you are the Original Purchaser according to our written warranty.

This warranty gives you specific rights, and you may also have other rights, which vary from state to state (or country to country). All warranties are limited to the Original Purchaser for normal use. Should you prefer to speak with a service representative, you may call toll free: 1-855-372-2315 (U.S.) or 0-800-051-6775 (U.K.).



TOMMY  HILFIGER  
HOME