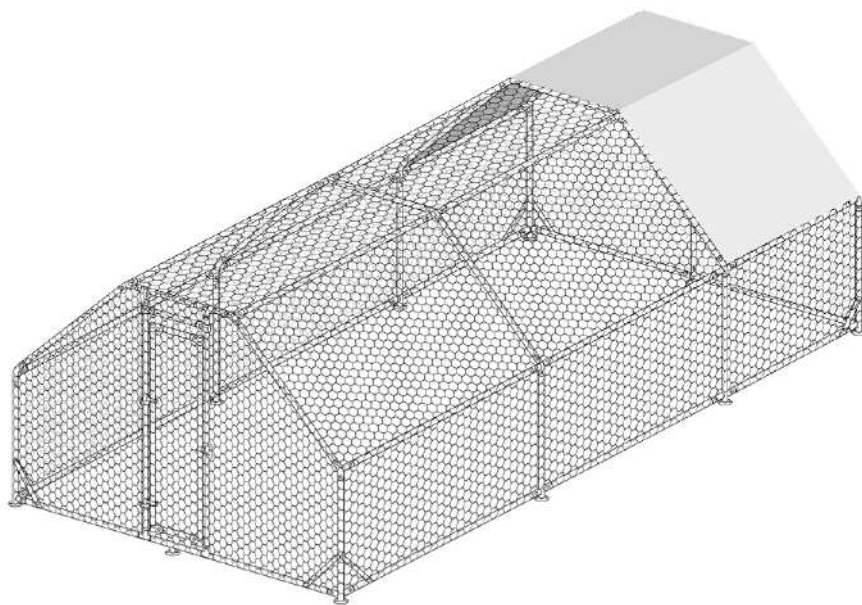


# METAL CHICKEN COOP



IMPORTANT, RETAIN FOR FUTURE REFERENCE: READ CAREFULLY

## ASSEMBLY & INSTRUCTION MANUAL



**1** x 4  
1320



**2** x14  
1825



**2A** x 4  
1825



**3** x16  
970



**3A** x 4  
970



**5** x 2  
1882



**5A** x 1  
1882



**6** x 1  
605



Φ16 395mm

**10** x 8  
395



**A** x 2  
1700



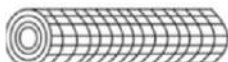
**B** x 1  
1845



**C** x 2  
497



**P** x 1  
1.92x3.47m



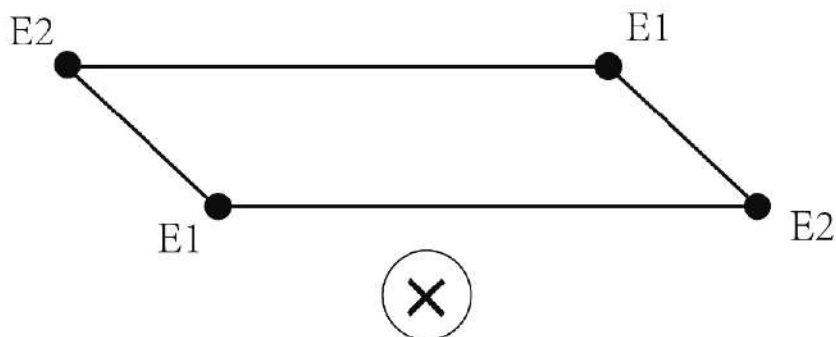
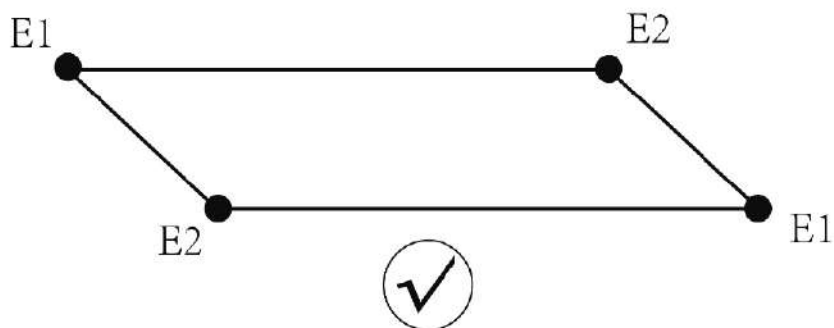
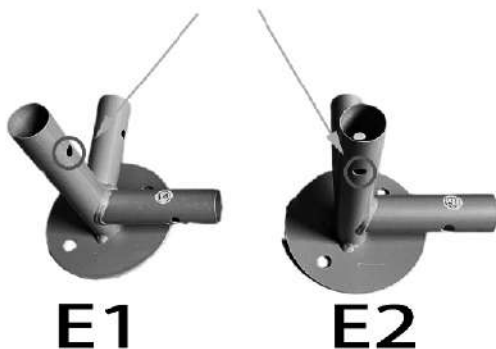
**Q** x 1  
45m

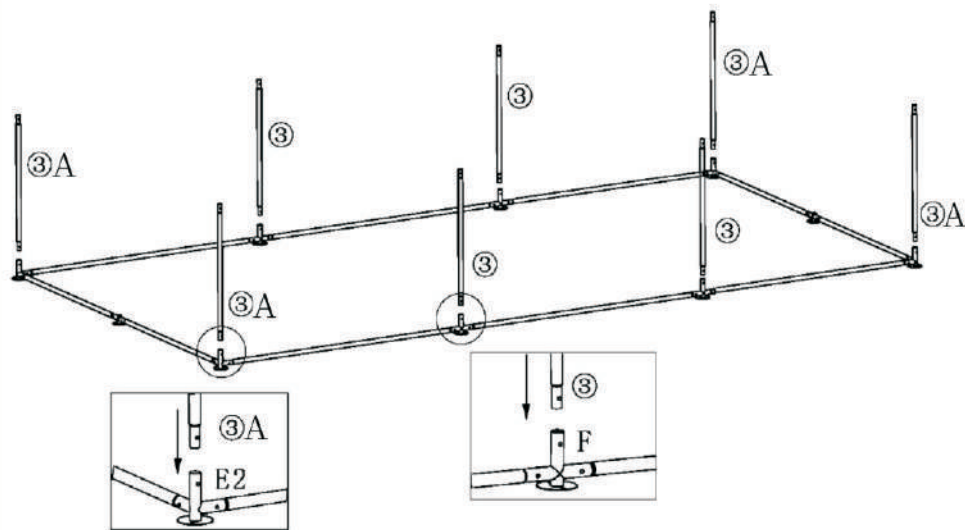
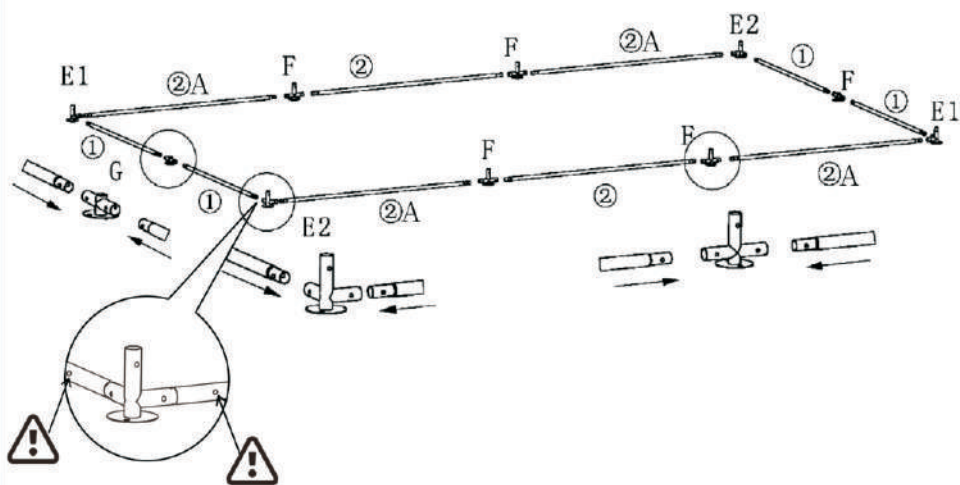
**D** × 8**E1** × 2**E2** × 2**F** × 5**G** × 1**H** × 8**I** × 26**J** × 2**K** × 31M6  
+2(spare)**L** × 4M8  
+1(spare)**M** × 1**O** × 2**R** × 12**S** × 1**W** × 10

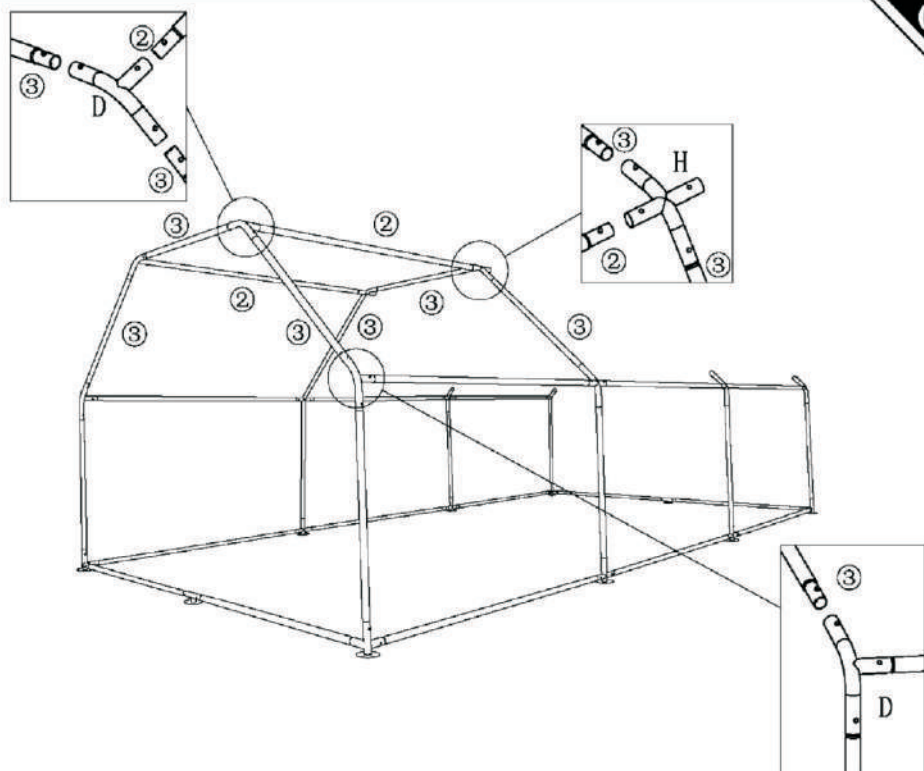
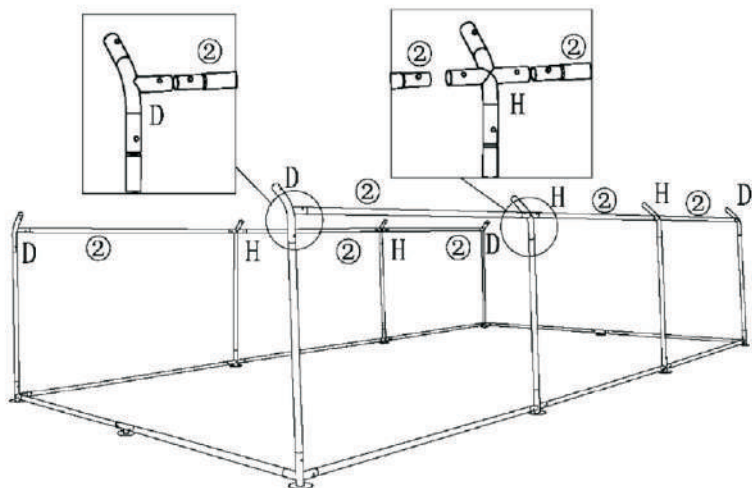


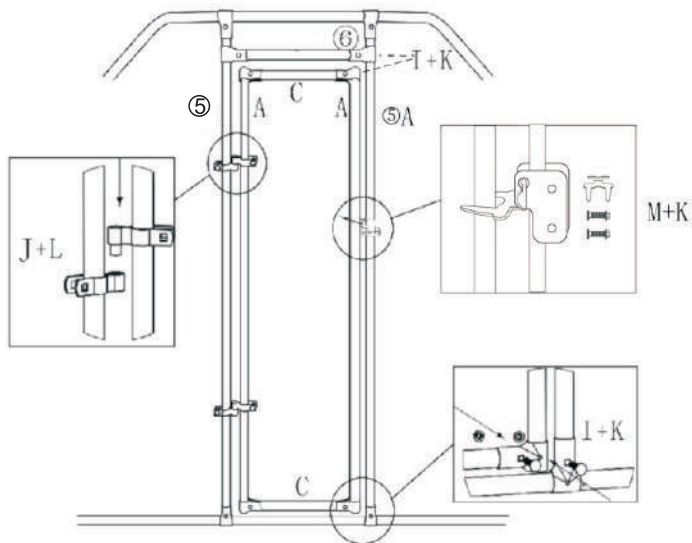
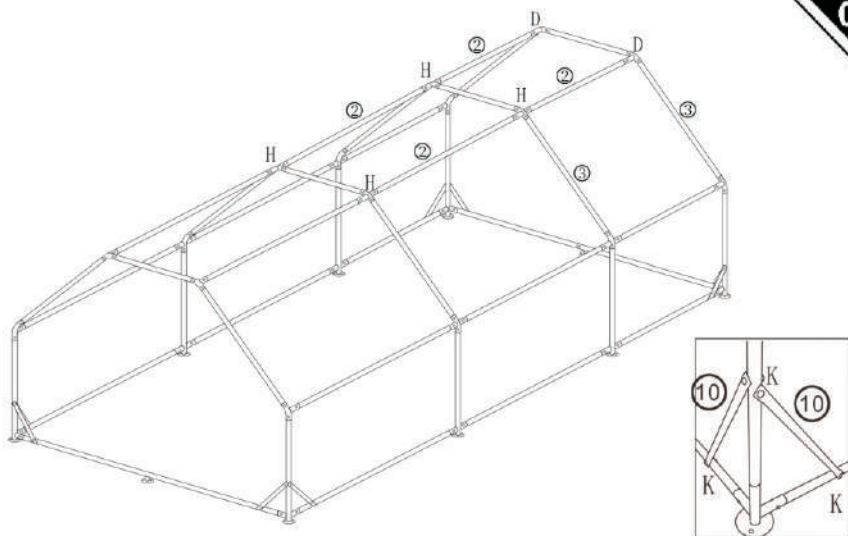
ATTENTION: E1 & E2 shall be placed in strict order, otherwise they cannot be installed

## DIFFERENT HOLES SITUATIONS IN E1&E2

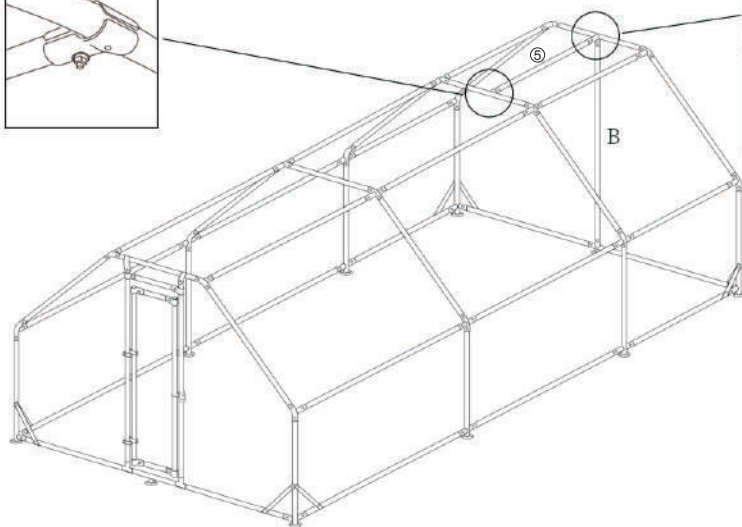
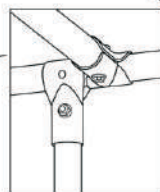
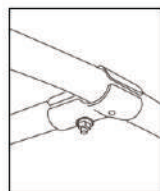




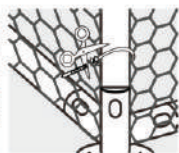
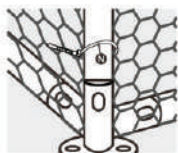
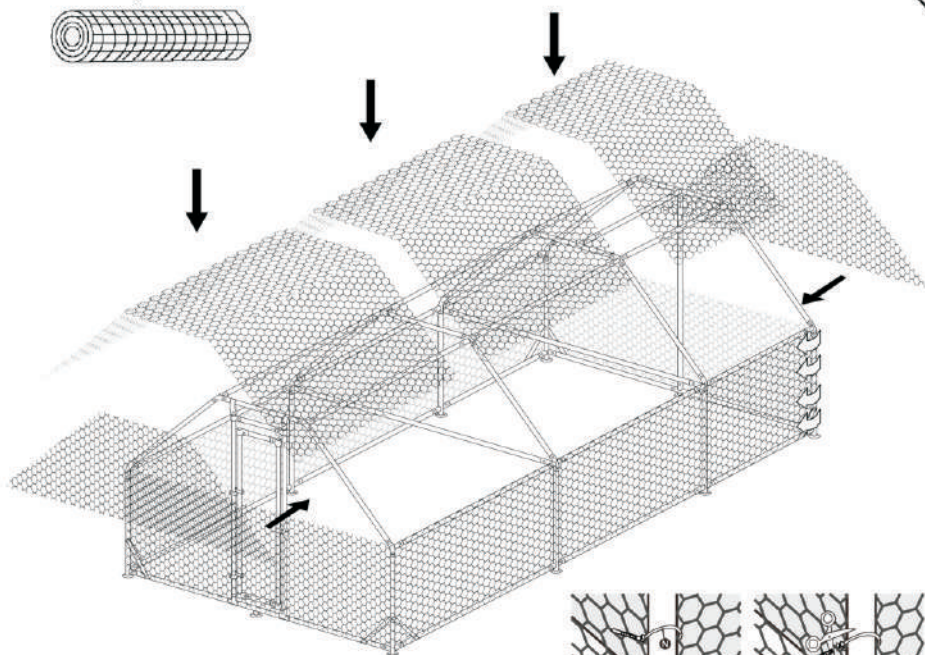
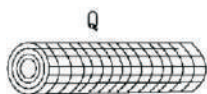


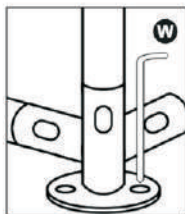
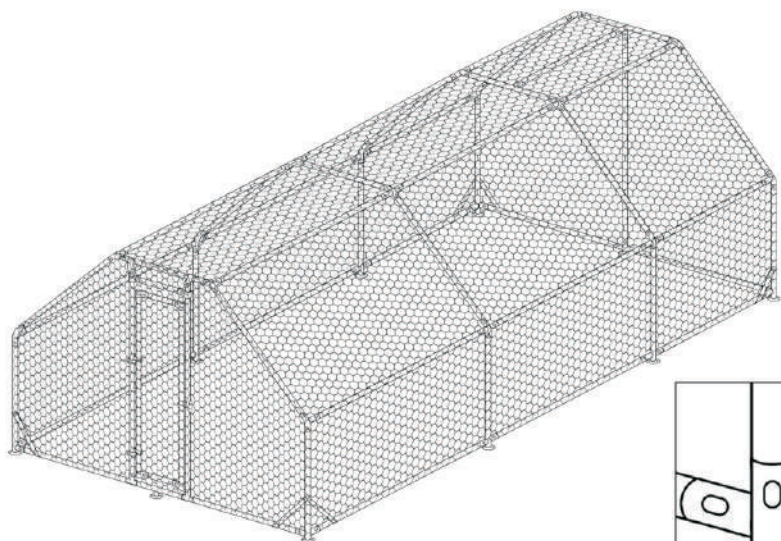


07

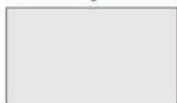


08





P



R

