

110-65
110W-65

MINI DESK

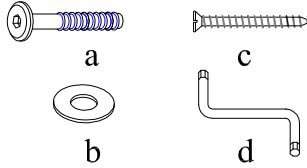
110

SERIES

Assembly Instruction

A . Components :

- 1. Mini Desk 1 x
- 2. Legs 2 x
- 3. Stretcher 1 x

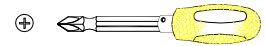


B . Hardware :

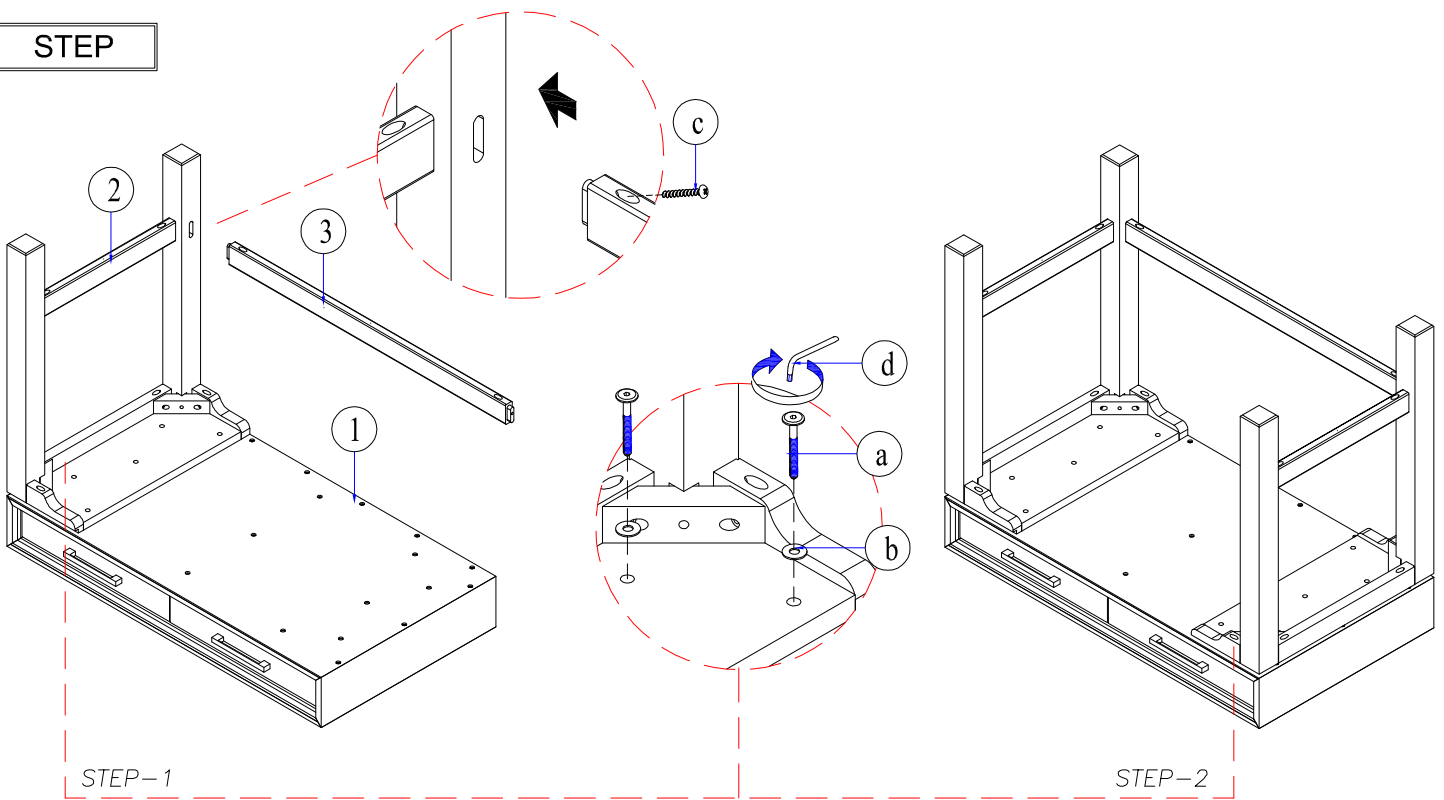
- a. Allen Bolt 10 x
- b. Flat Washer 10 x
- c. Screw 2 x
- d. Allen Key 1 x

C . Tool Required :

- 1. Screw Driver = (not included)



STEP



FINISH

