

ASSEMBLY INSTRUCTION

WF310161

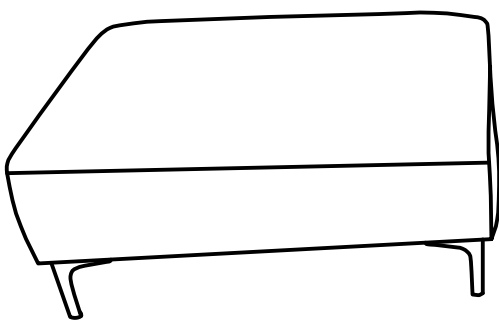
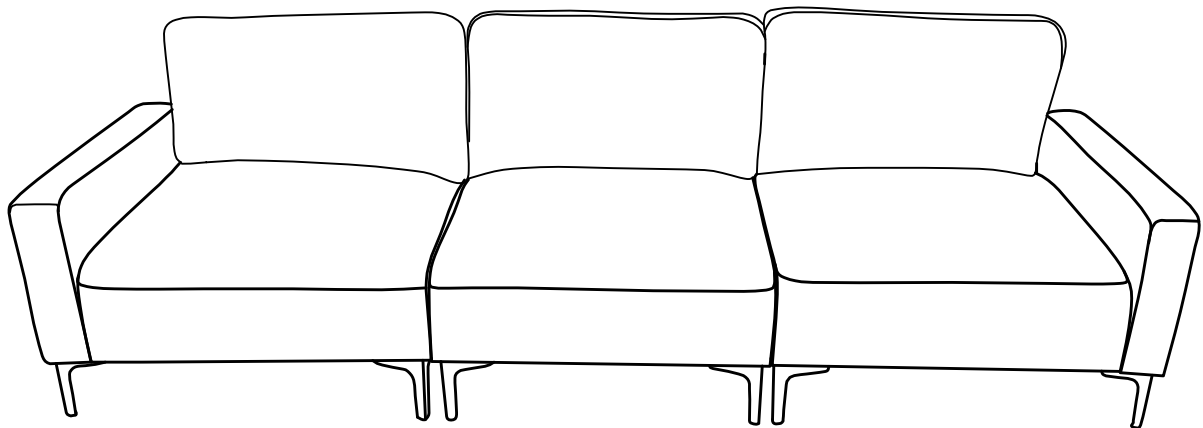
WF310162

WF310163

WF310164

Friendly Reminder:

- 1.This sofa is packed in 4 boxes. Please assemble it After all boxes are received.
- 2.As the cushions are all vacuum compressed,there will be some wrinkles. Please give your cushions up to 72 hours to reach its original size and the wrinkles will basically disappear.
- 3.Please do not open the compressed packages until your sofa frame is completely assembled.




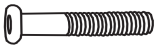

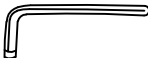


Return & Warranty policy:

- We strive to offer the highest quality products,and we also try our best to satisfy each and every customer that orders from us with replacement parts or service as needed.
- If the item is damaged or defective, please take photos as evidence for replacements and refunds.
- Please do not return to store,contact the seller if you have any troubles with this product.


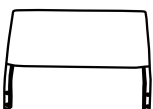
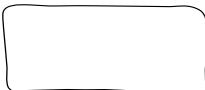

ASSEMBLY INSTRUCTION

HARDWARE


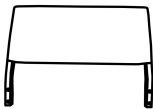


| NO | DESCRIPTION | SKETCH | QTY |
|-----------|--------------------|--|------------|
| 1 | Washer |  | 28 |
| 2 | Screws 8X20 |  | 32 |
| 3 | Screws 8X60 |  | 20 |
| 4 | Screws 8X80 |  | 4 |
| 5 | Butterfly nut |  | 4 |
| 6 | Wrench |  | 1 |

ASSEMBLY INSTRUCTION

PARTS LIST WF310161

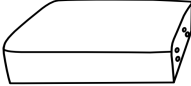
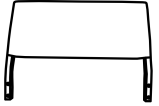


| NO | DESCRIPTION | SKETCH | QTY |
|----|--------------|--|-----|
| A | Seat frame |  | 1 |
| B | Back frame |  | 1 |
| C | Back cushion |  | 1 |
| G | Leg |  | 4 |

PARTS LIST WF310162


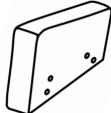
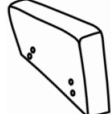

| NO | DESCRIPTION | SKETCH | QTY |
|----|--------------|--|-----|
| A | Seat frame |  | 1 |
| B | Back frame |  | 1 |
| C | Back cushion |  | 1 |
| G | Leg |  | 4 |

ASSEMBLY INSTRUCTION

PARTS LIST WF310163

| NO | DESCRIPTION | SKETCH | QTY |
|----|--------------|--|-----|
| A | Seat frame |  | 1 |
| B | Back frame |  | 1 |
| C | Back cushion |  | 1 |
| G | Leg |  | 4 |

PARTS LIST WF310164

| NO | DESCRIPTION | SKETCH | QTY |
|----|-----------------|--|-----|
| D | Ottoman frame |  | 1 |
| E | Armrest (left) |  | 1 |
| F | Armrest (right) |  | 1 |
| G | Leg |  | 4 |

ASSEMBLY INSTRUCTION

All parts and hardware.

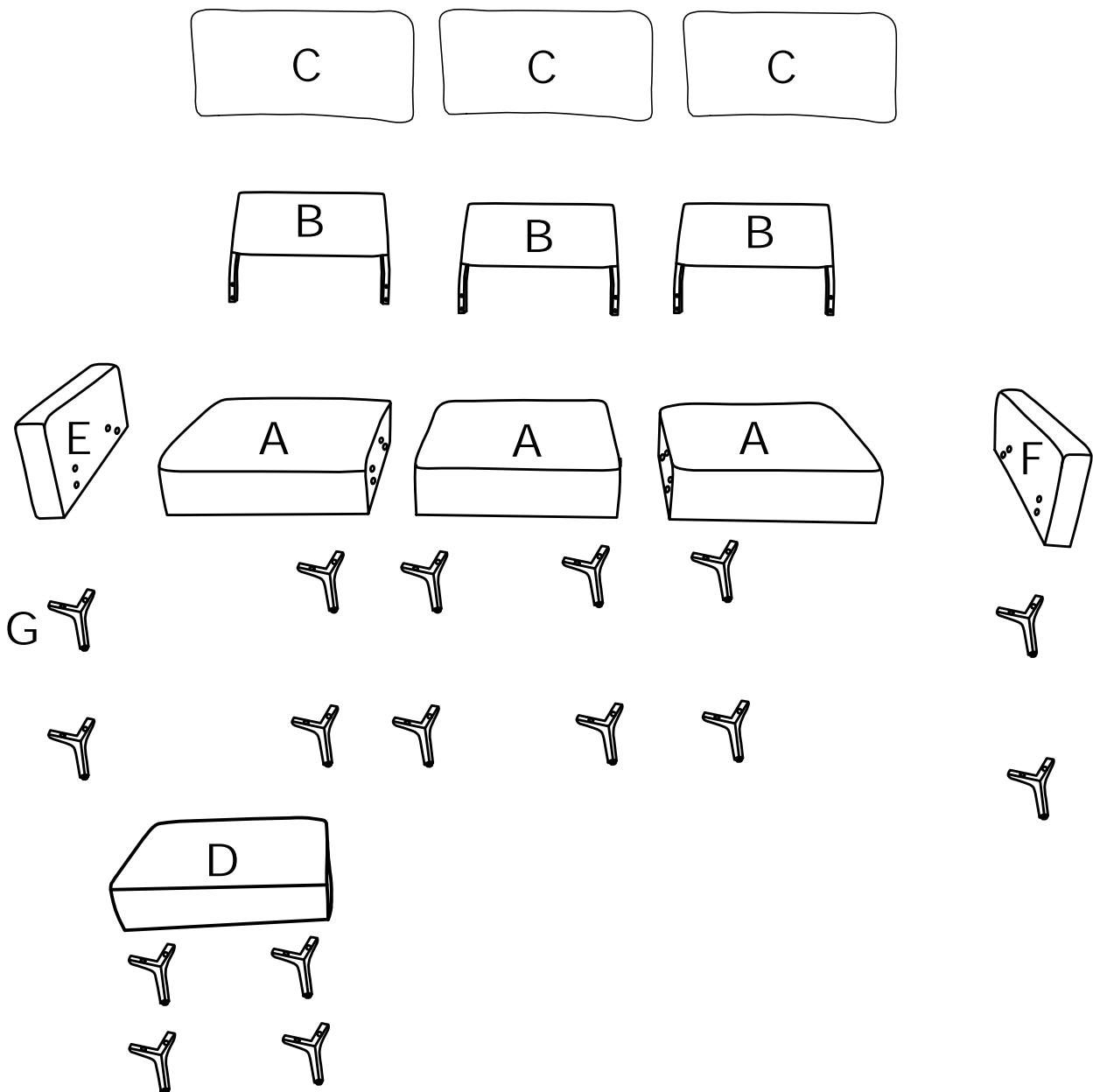
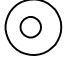



DIAGRAM 1 (Assemble th Armrest (left))

Connect Armrest(left)(Part E) and Seat frame(Part A) with 4 Washers (Hardware 1) and 4 Screws (Hardware 3).

| | | |
|---|--|------|
| 1 |  | 4PCS |
| 3 |  M8X60 | 4PCS |

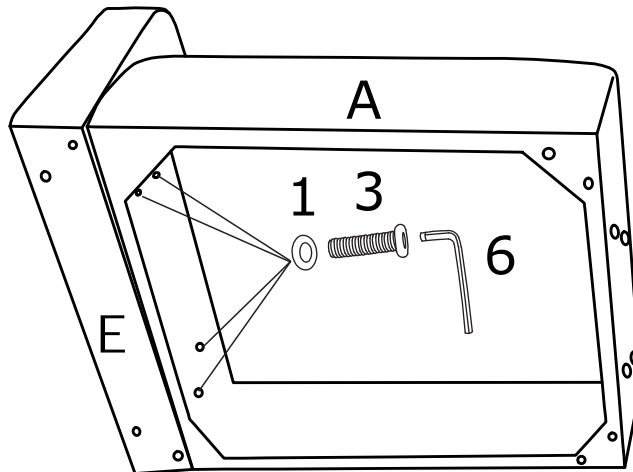




DIAGRAM 2 (Assemble the Armrest (right))

Connect Armrest(Right)(Part F) and Seat frame(Part A) with 4 Washers (Hardware 1) and 4 Screws (Hardware 3).

| | | |
|---|--|------|
| 1 |  | 4PCS |
| 3 |  M8X60 | 4PCS |

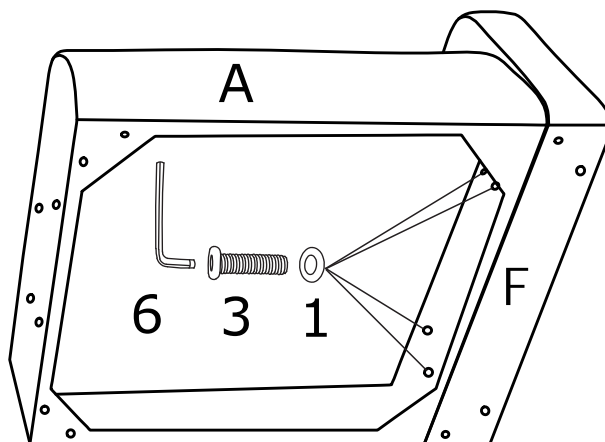





DIAGRAM 3 (Assemble the Seat frame)

Connect 3 Seat frames (Part A) with 8 Washers (Hardware 1), 4 Screws (Hardware 4) and 4 Butterfly nuts (Hardware 5).

| | | |
|---|--|------|
| 1 |  | 8PCS |
| 4 |  M8X80 | 4PCS |
| 5 |  | 4PCS |

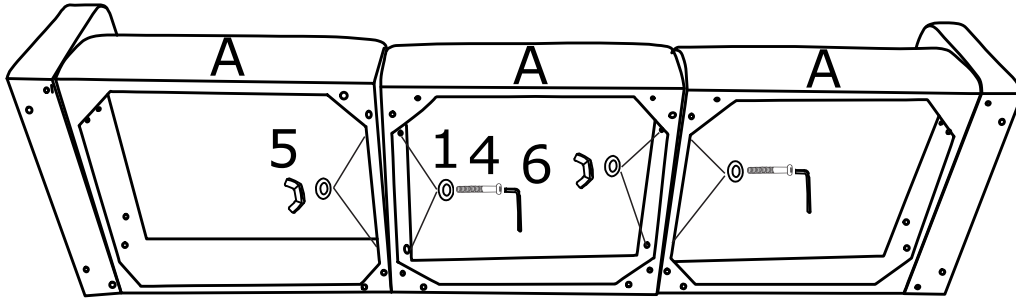



DIAGRAM 4 (Assemble the Leg)

Installation of Legs (Part G) with 32 Screws (Hardware 2).

| | | |
|---|---|-------|
| 2 |  M8X20 | 32PCS |
|---|---|-------|

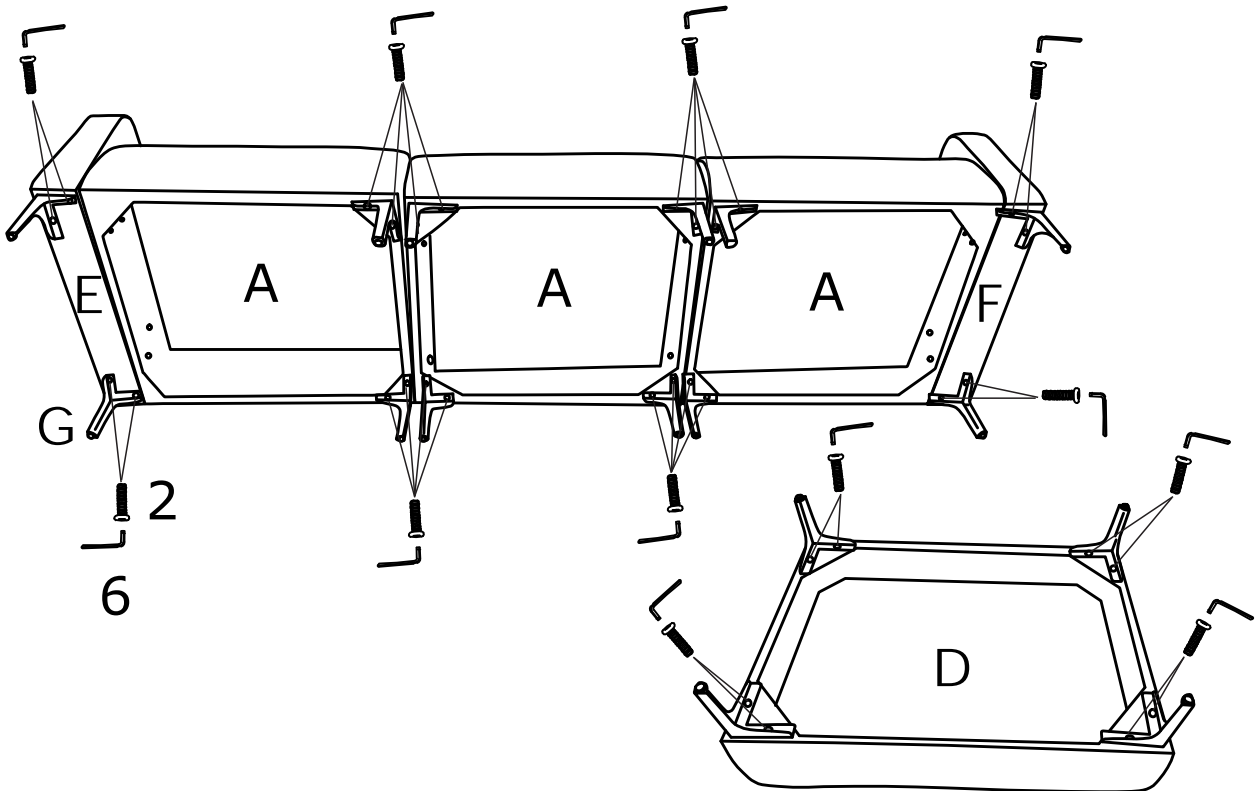




DIAGRAM 5 (Assemble the Back frame)

Insert Back frame (Part B) into the designated holes, using 12 Screws (Hardware 3) and 12 Washers(Hardware 1) to secureit.

| | | |
|---|--|-------|
| 1 |  | 12PCS |
| 3 |  M8X60 | 12PCS |

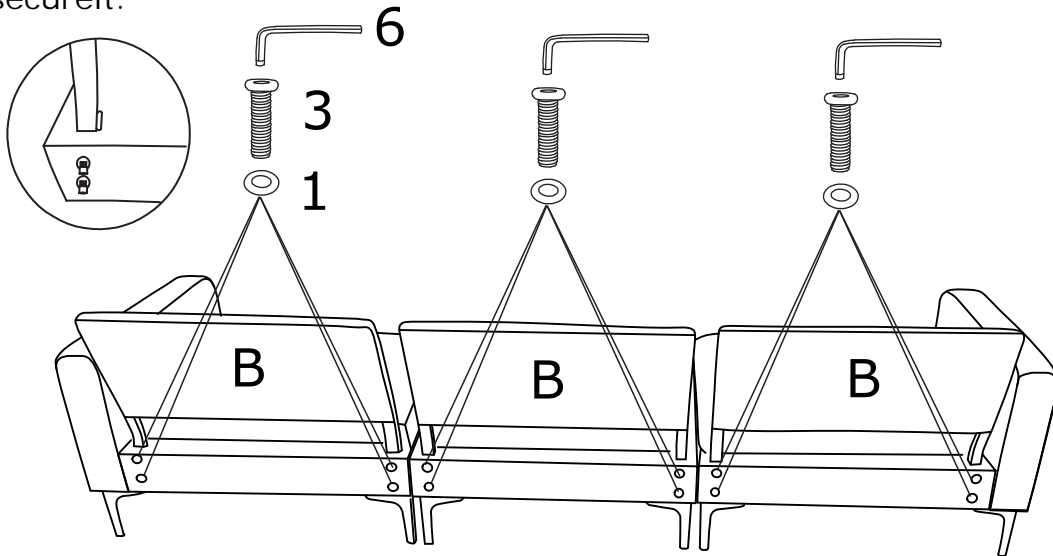
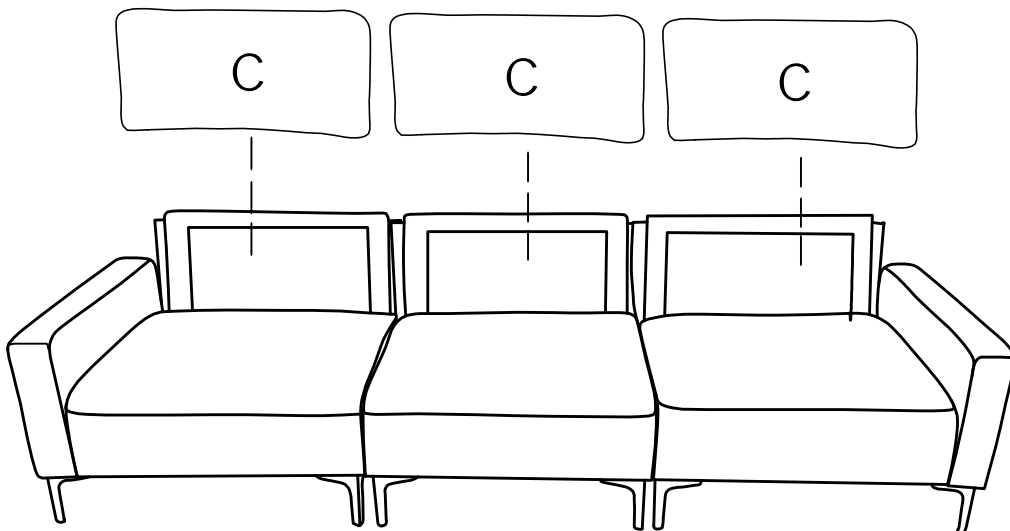


DIAGRAM 6 (Place the Back cushion on the sofa)



TIPS:

Please keep children away from plastic bags or any small pieces of stuff.

