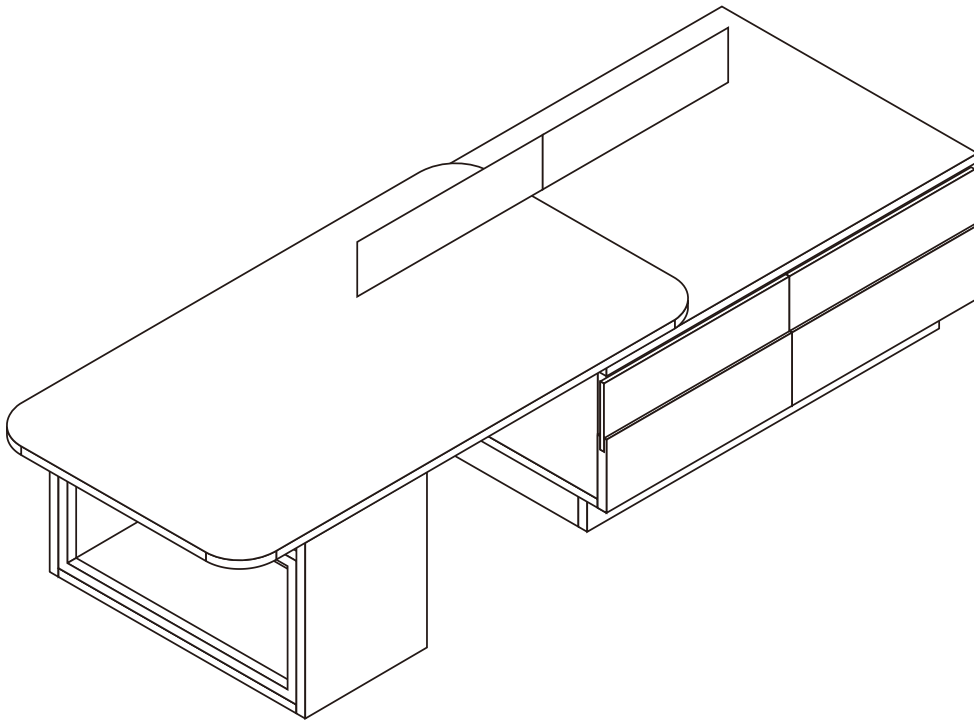


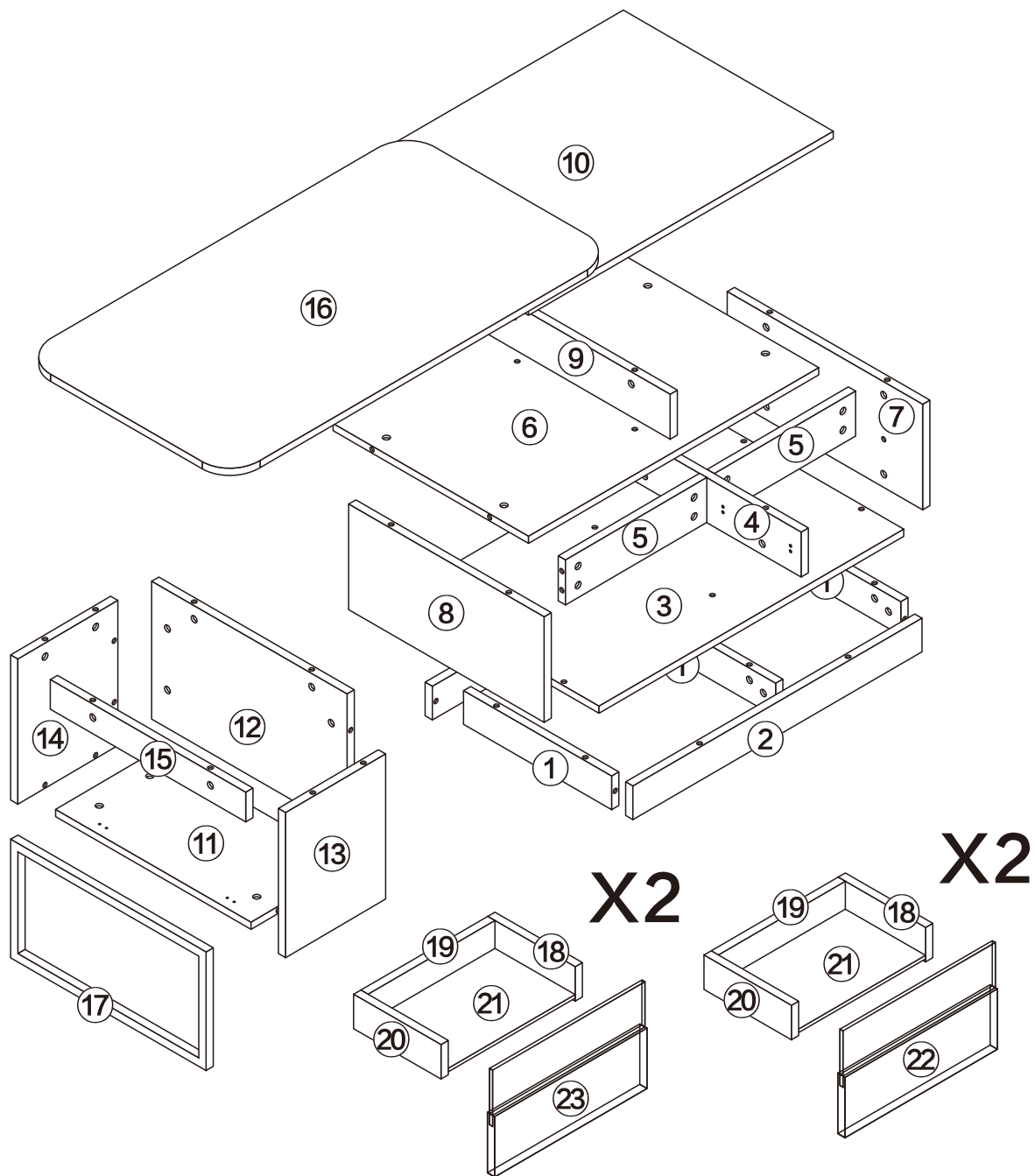
Coffee table



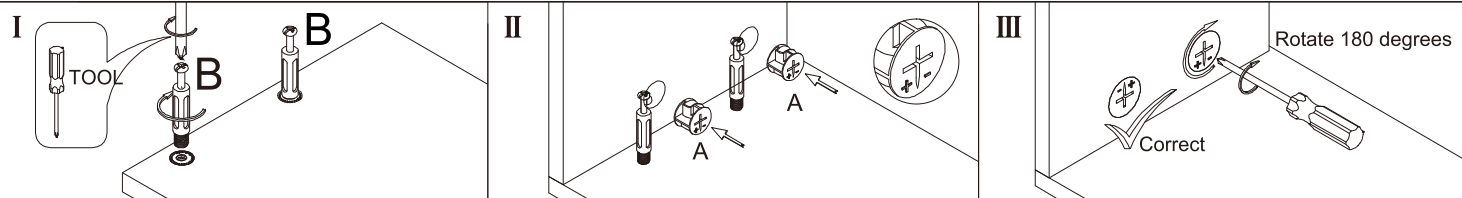
L1500/2000*W700*H420MM










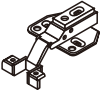


Installation Instructions

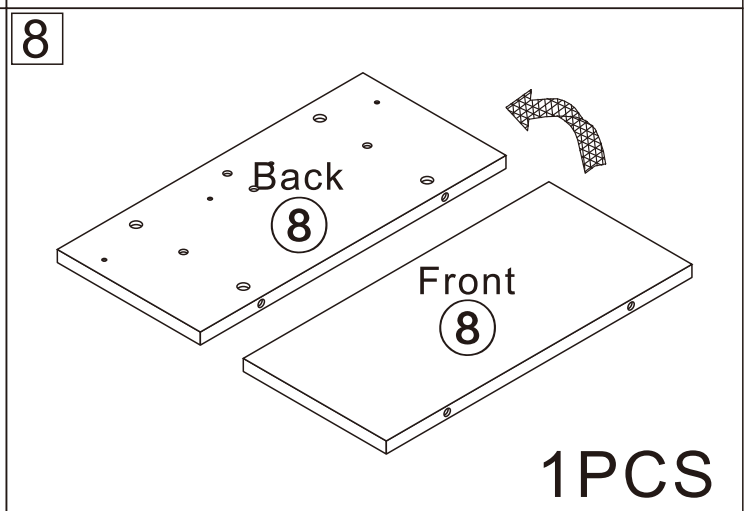
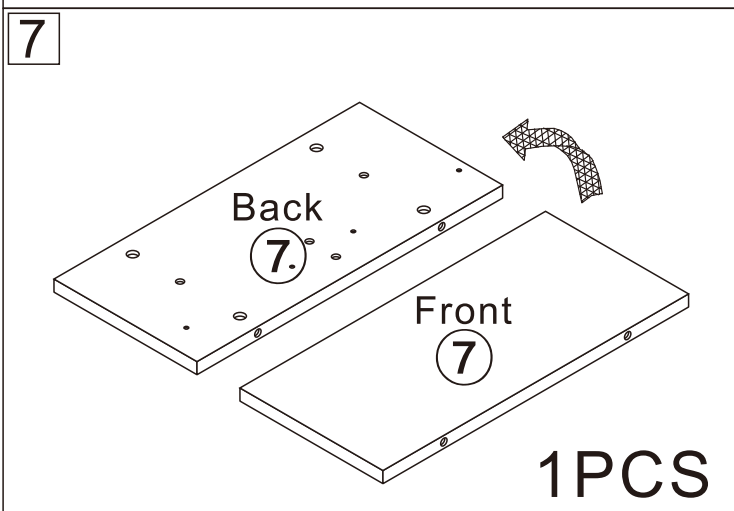
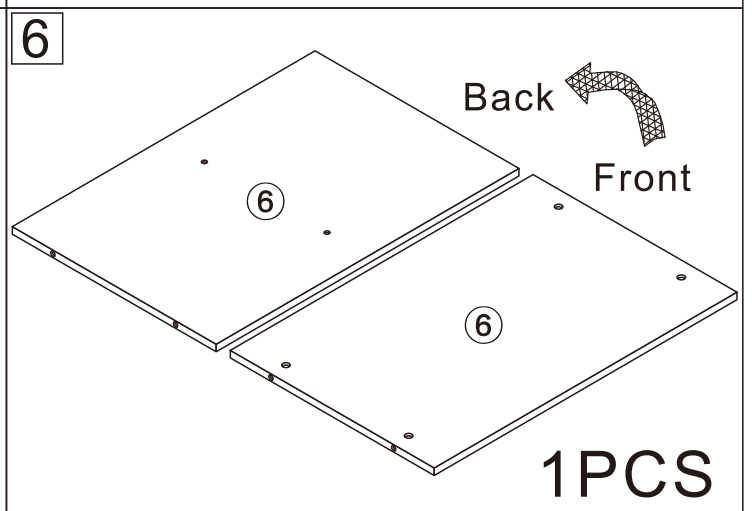
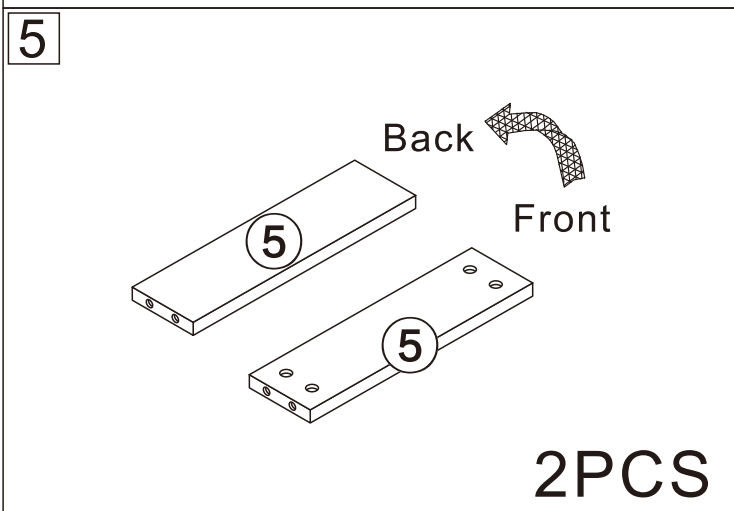
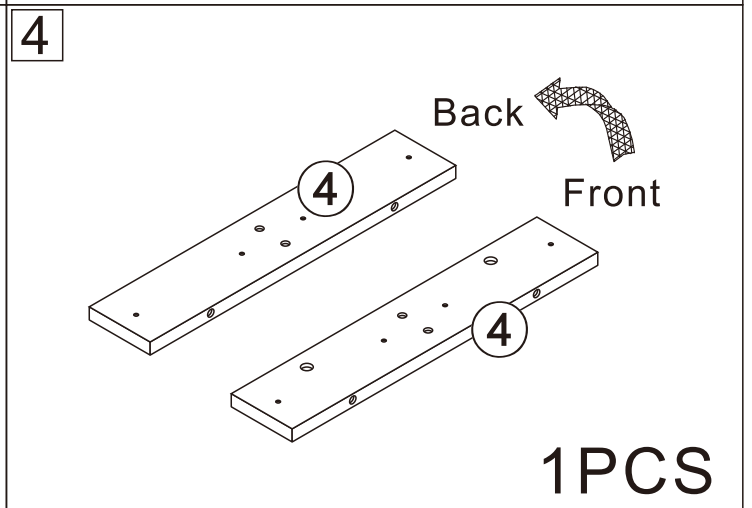
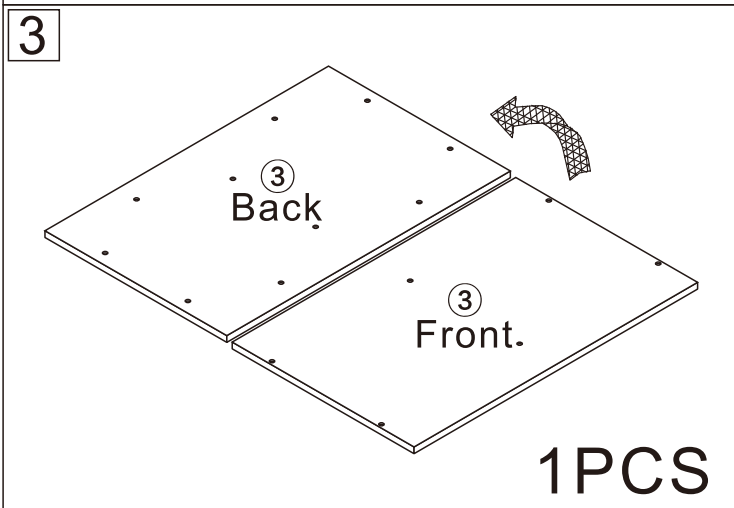
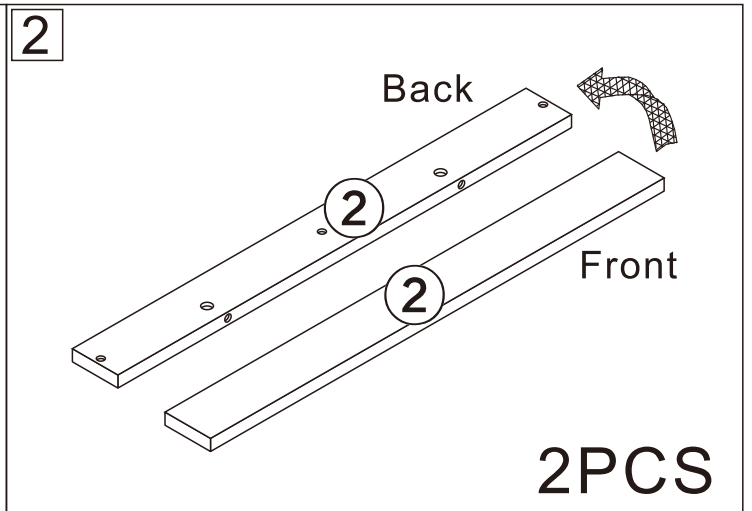
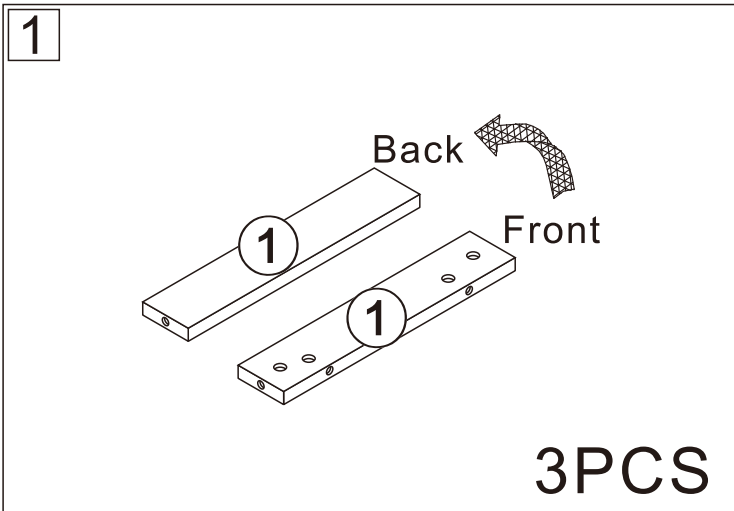
Notes: Don't tighten screws completely at first, just in case parts were assembled wrongly and need disassemble. Tighten screws at last when all parts are put together.

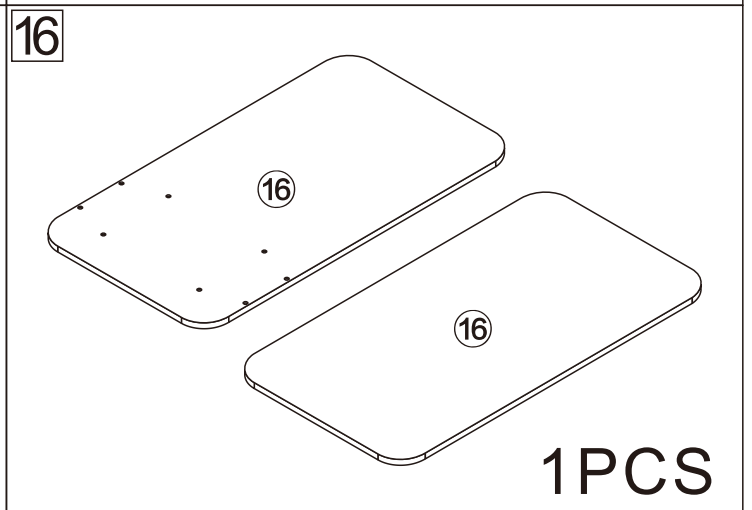
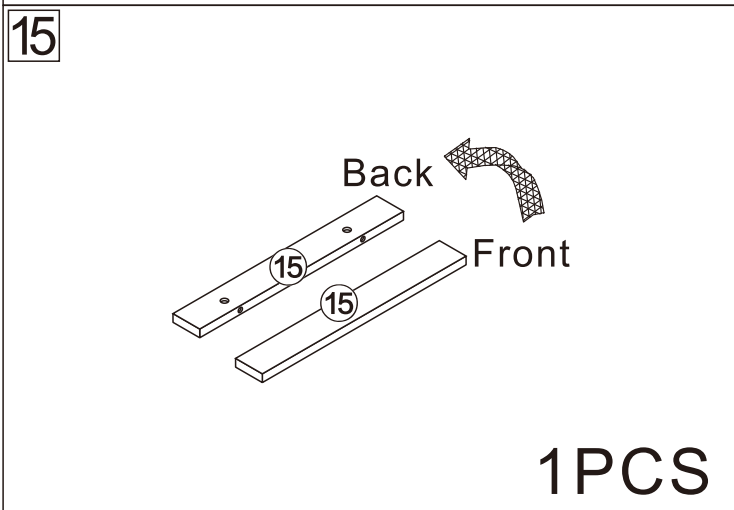
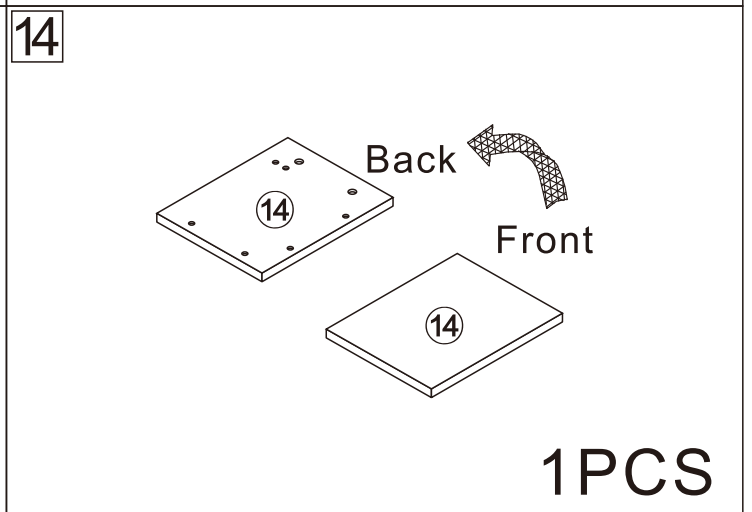
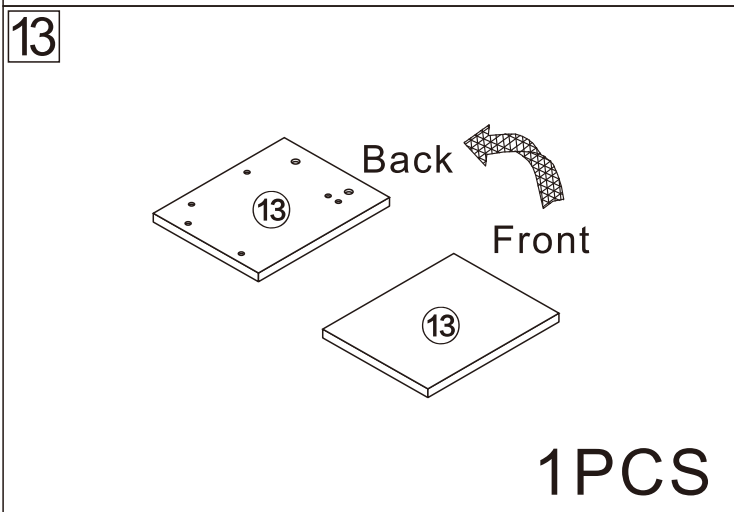
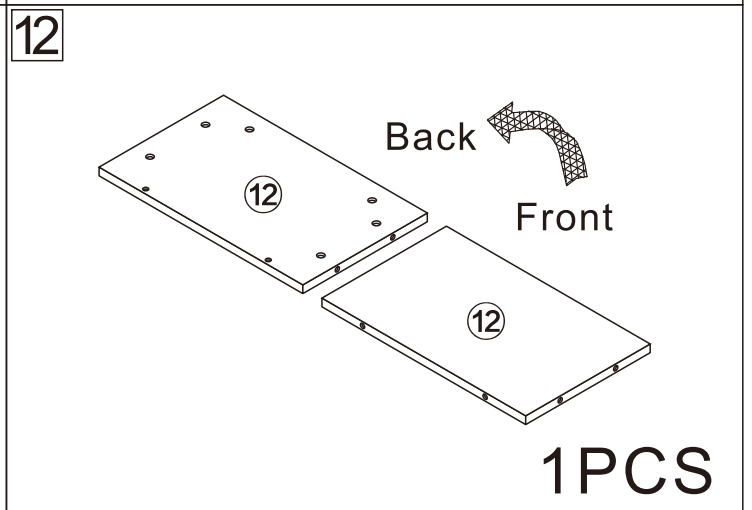
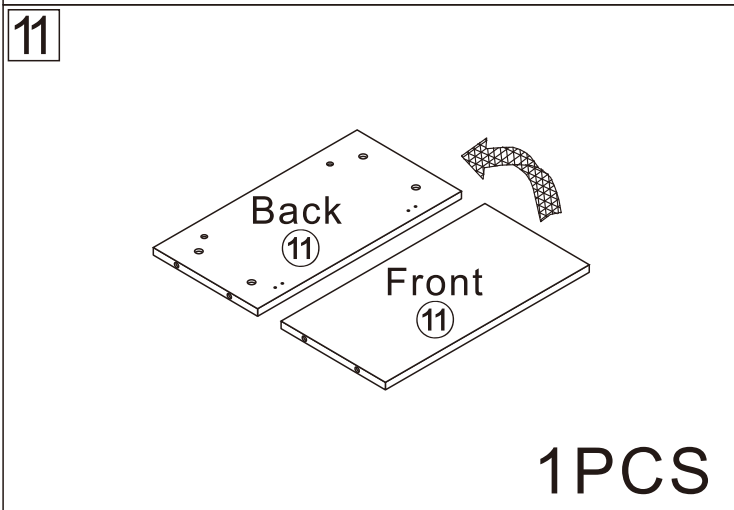
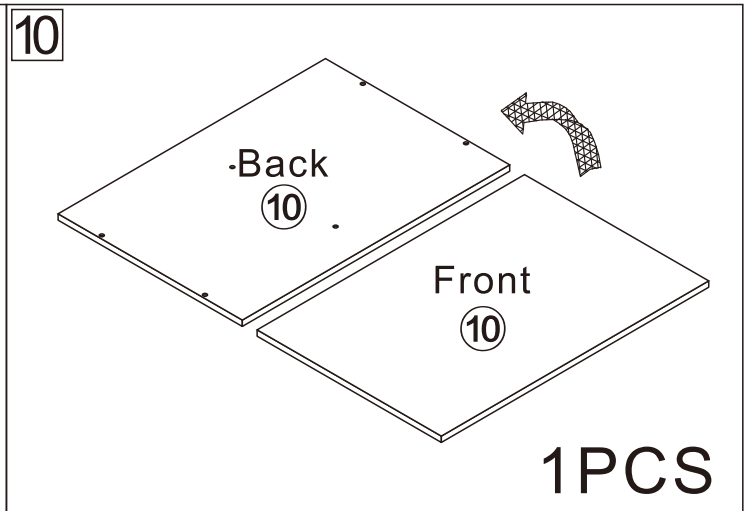
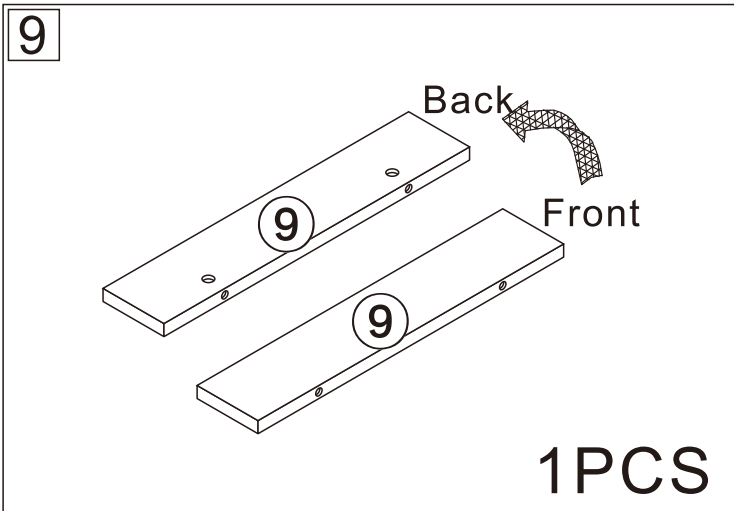


Disassembly and installation of accessories

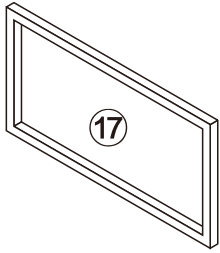


A 74PCS  15*10mm	B 74PCS  6*28mm	C 38PCS  3.5*14mm	D 8PCS  Three-section Rail	E 16PCS  3.5*40mm	F 2PCS  8*50mm	G 18PCS  φ 15mm	 Tools Recommended	
H 8PCS  4*12mm	I 2PCS 	J 2PCS left  right 	K 3PCS 					



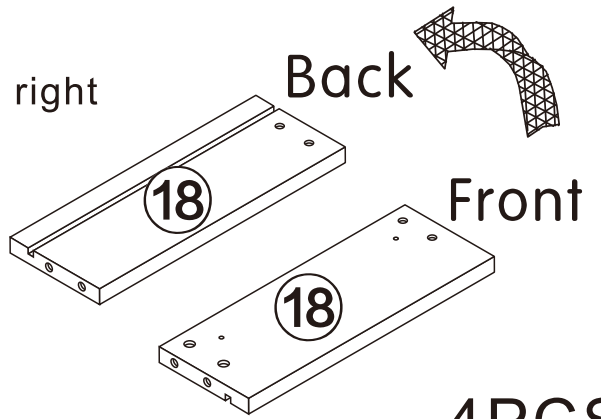


17



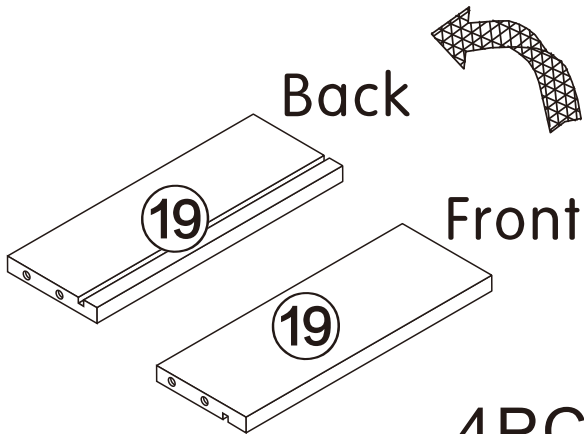
1PCS

18



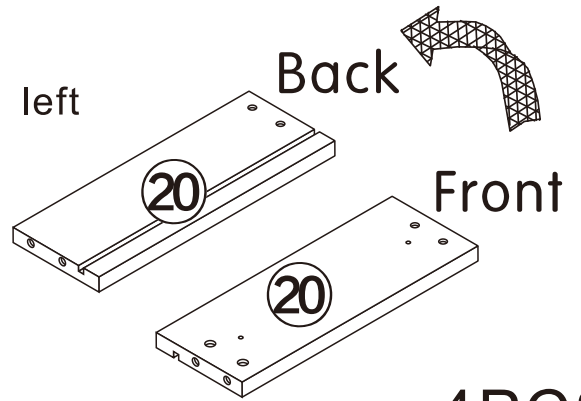
4PCS

19



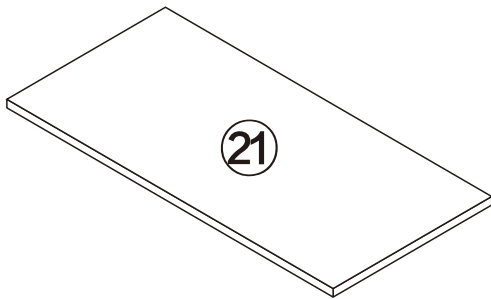
4PCS

20



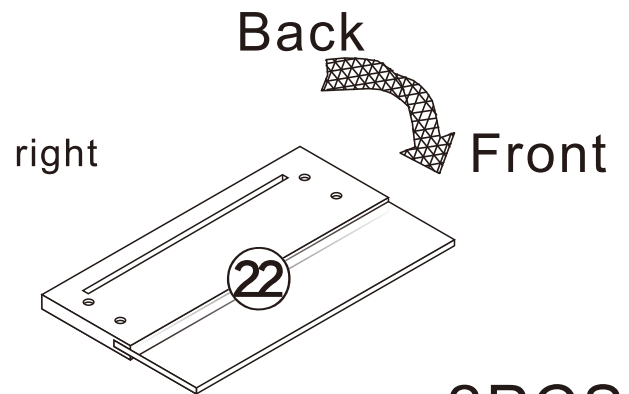
4PCS

21



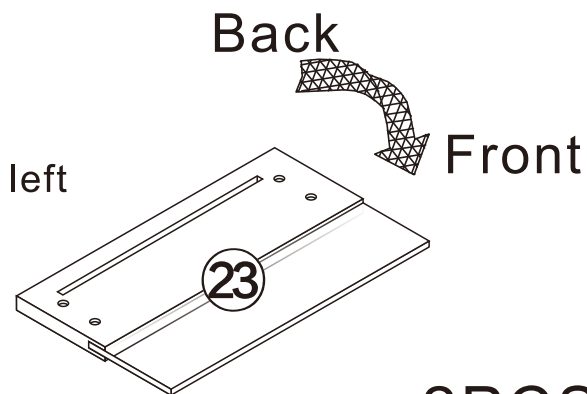
4PCS

22



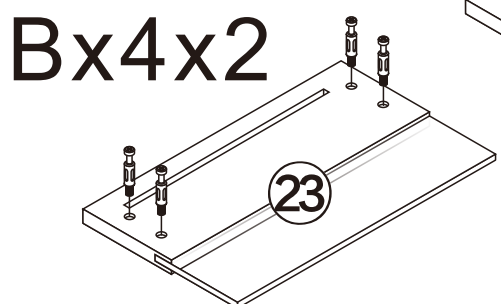
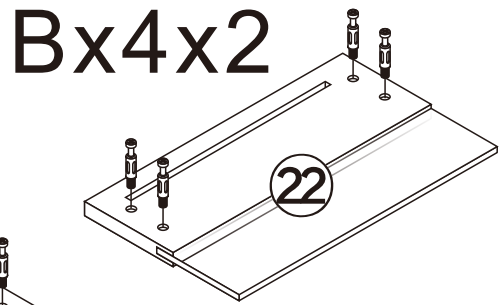
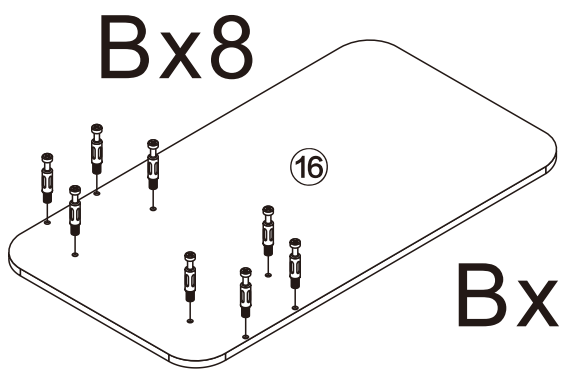
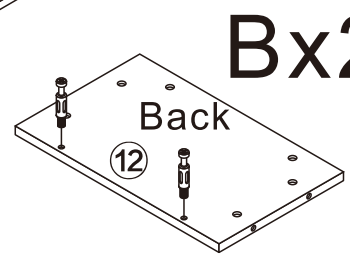
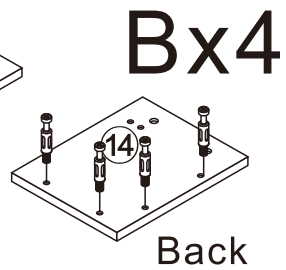
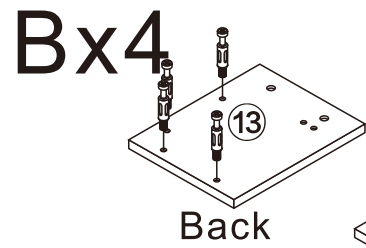
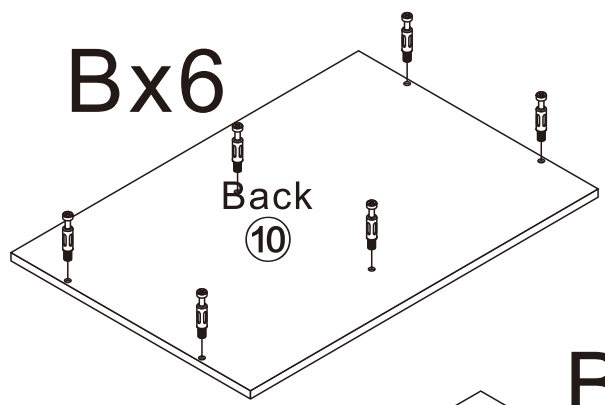
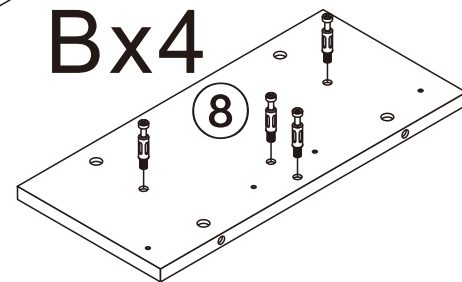
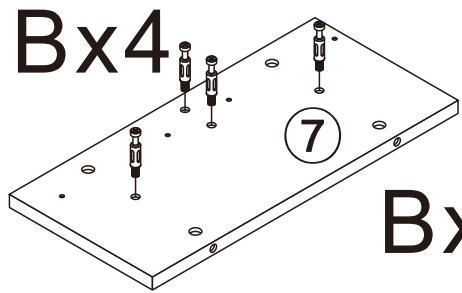
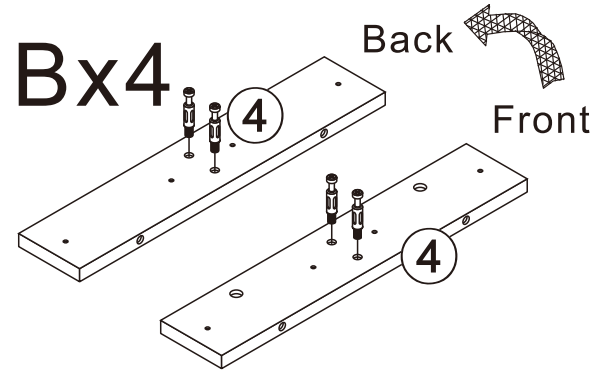
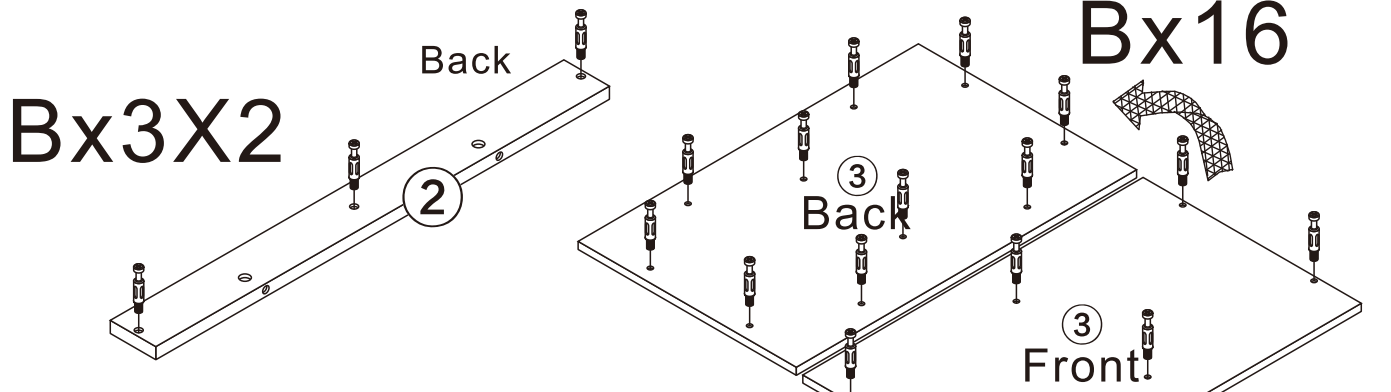
2PCS


23



2PCS

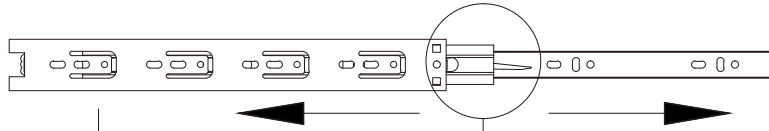
1



B	66PCS
	
6*28mm	

2

Dx8



D₁



D₂



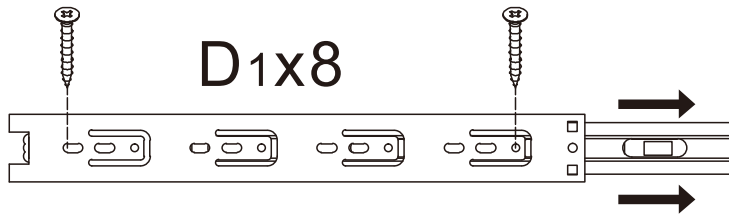
D₁ 8PCS



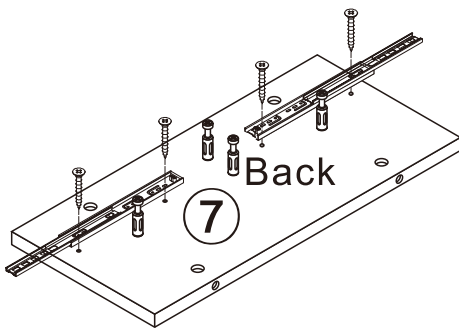
Three-section Rail

3

D₁X8

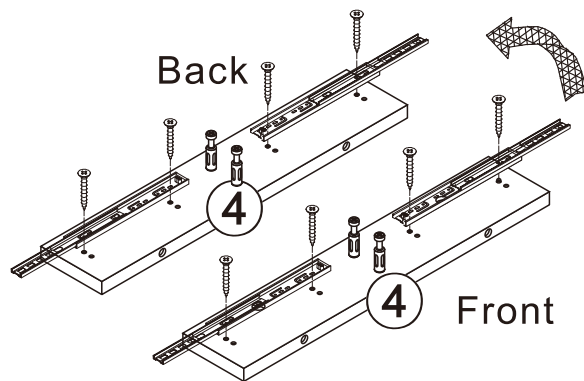


D₁X8
CX2X8



Back

7

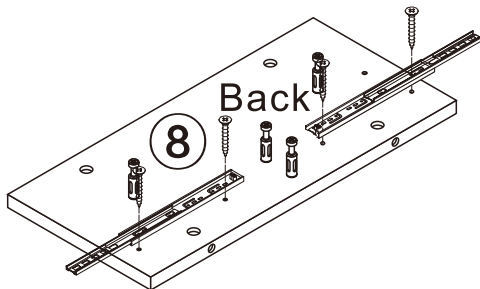


Back

4

4

Front



Back

8

C 16PCS



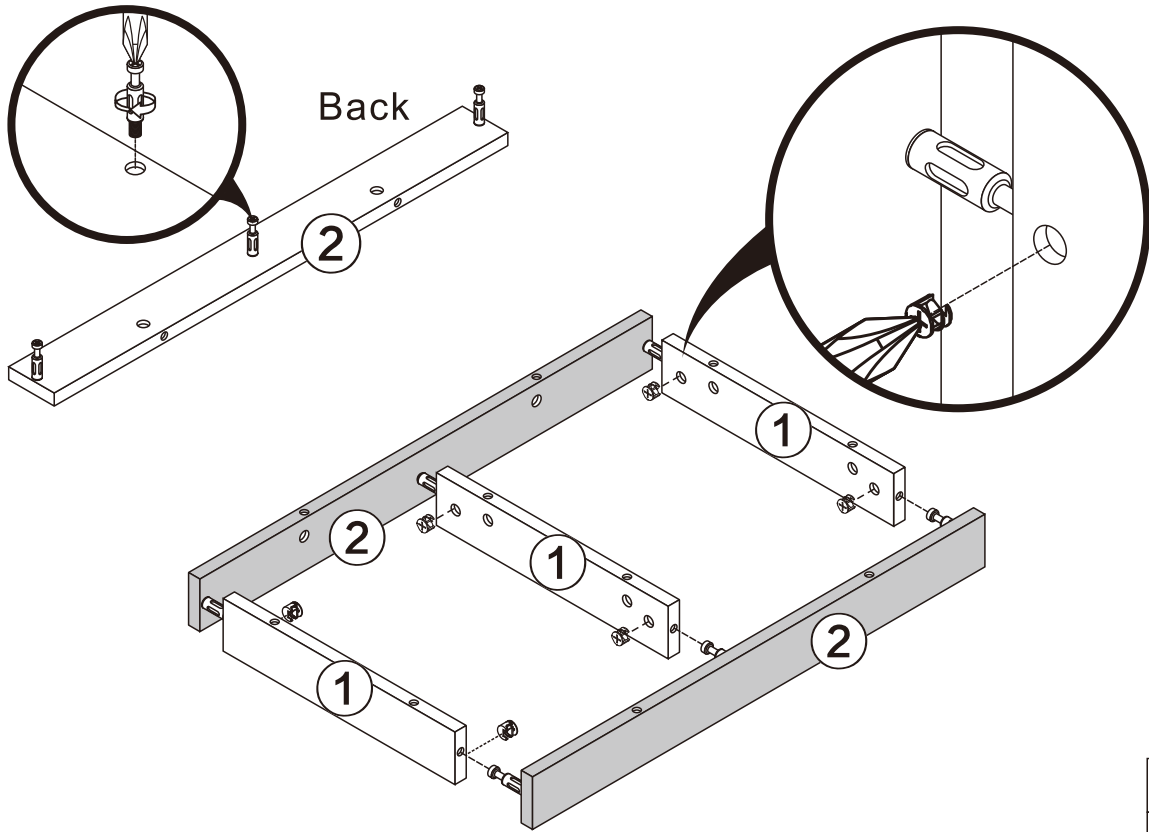
3.5*14mm

D₁ 8PCS



Three-section Rail

4

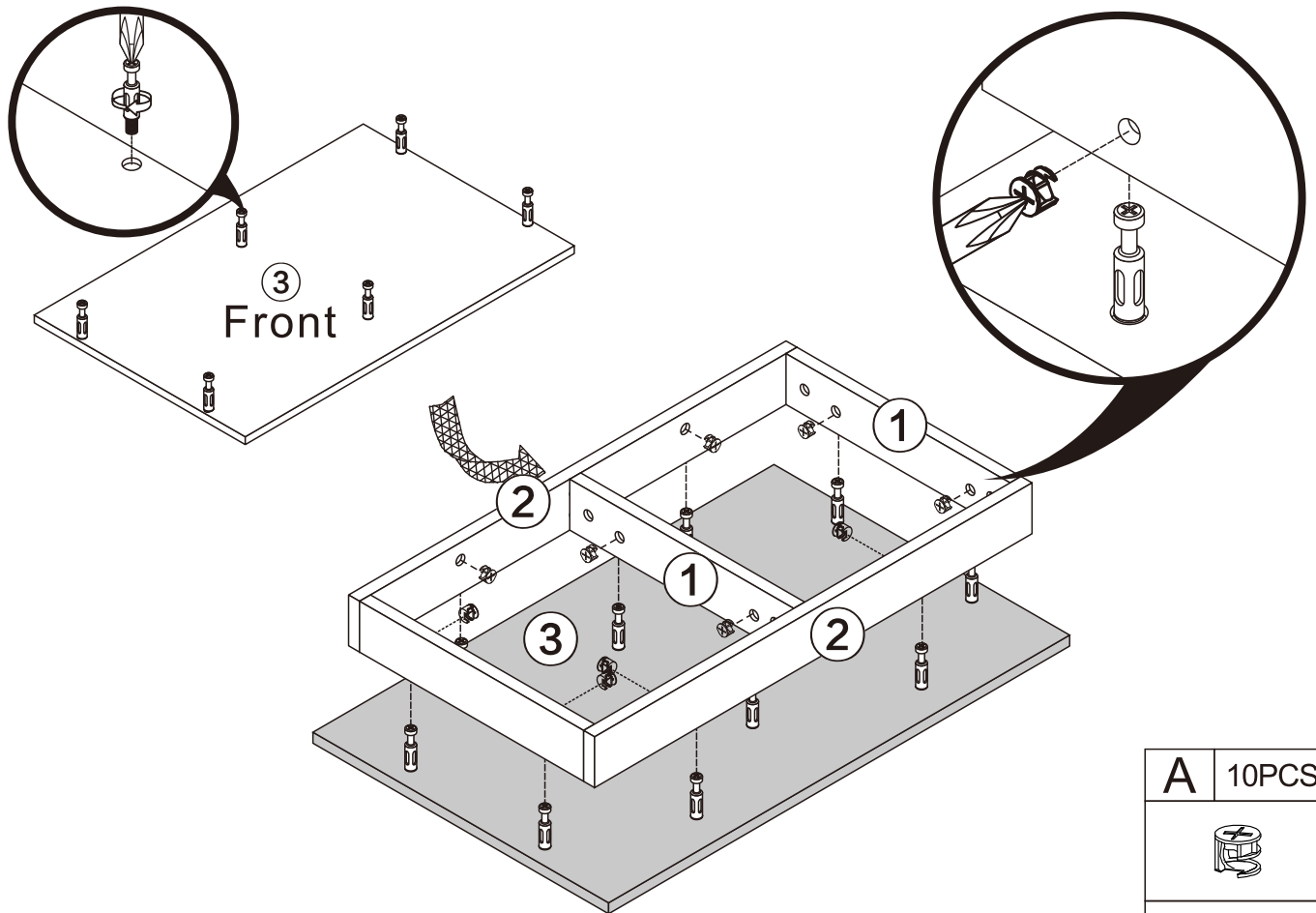


A 6PCS



15*10mm

5

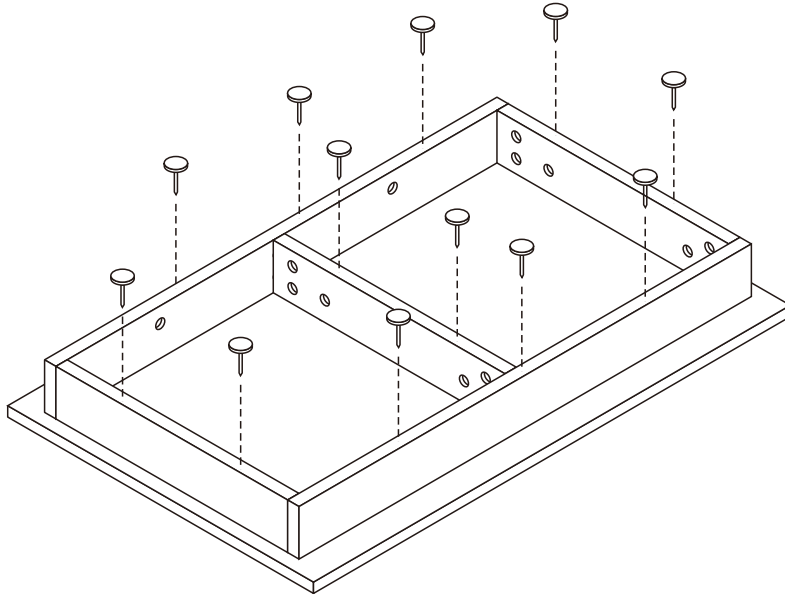



A 10PCS



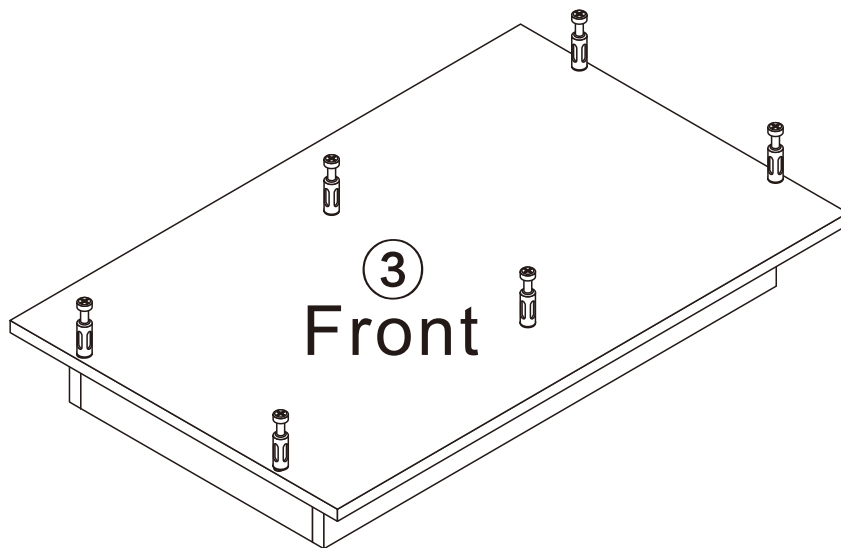
15*10mm

6

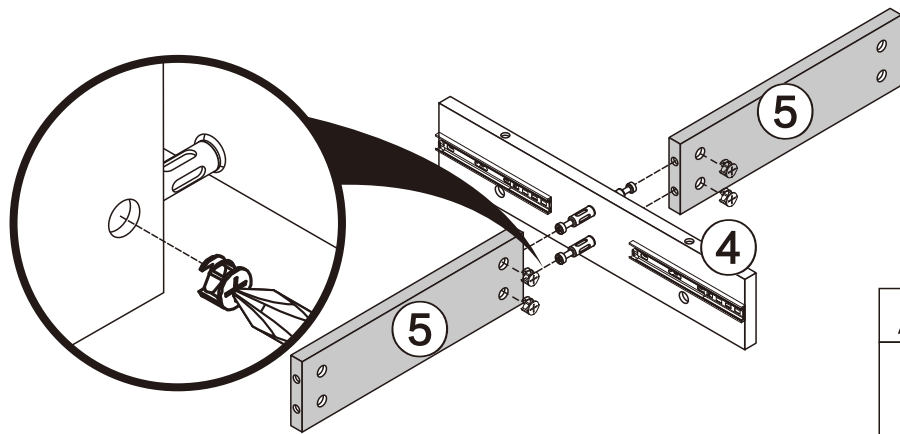
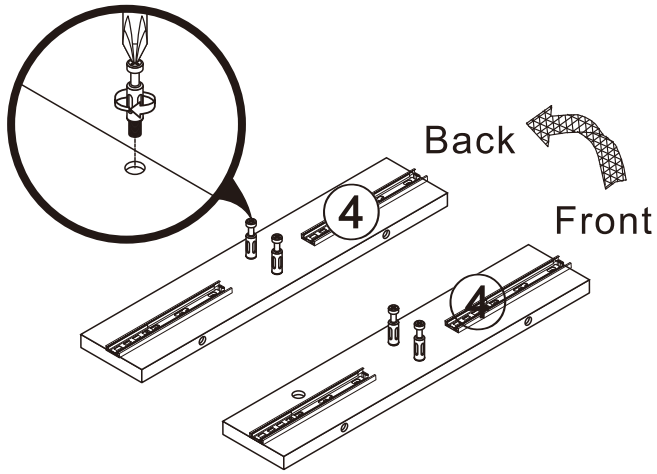



G	12PCS
	
φ 15mm	

7

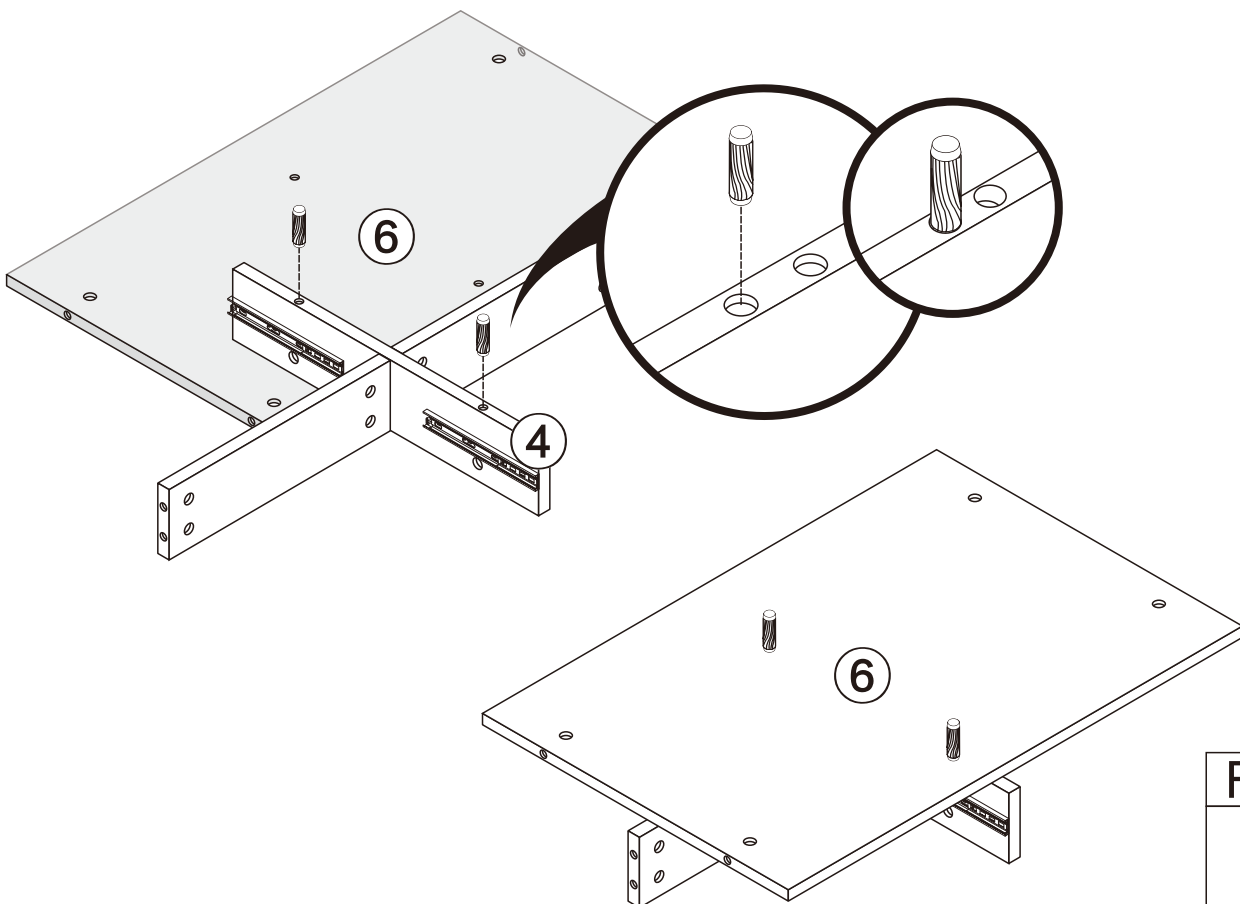



8



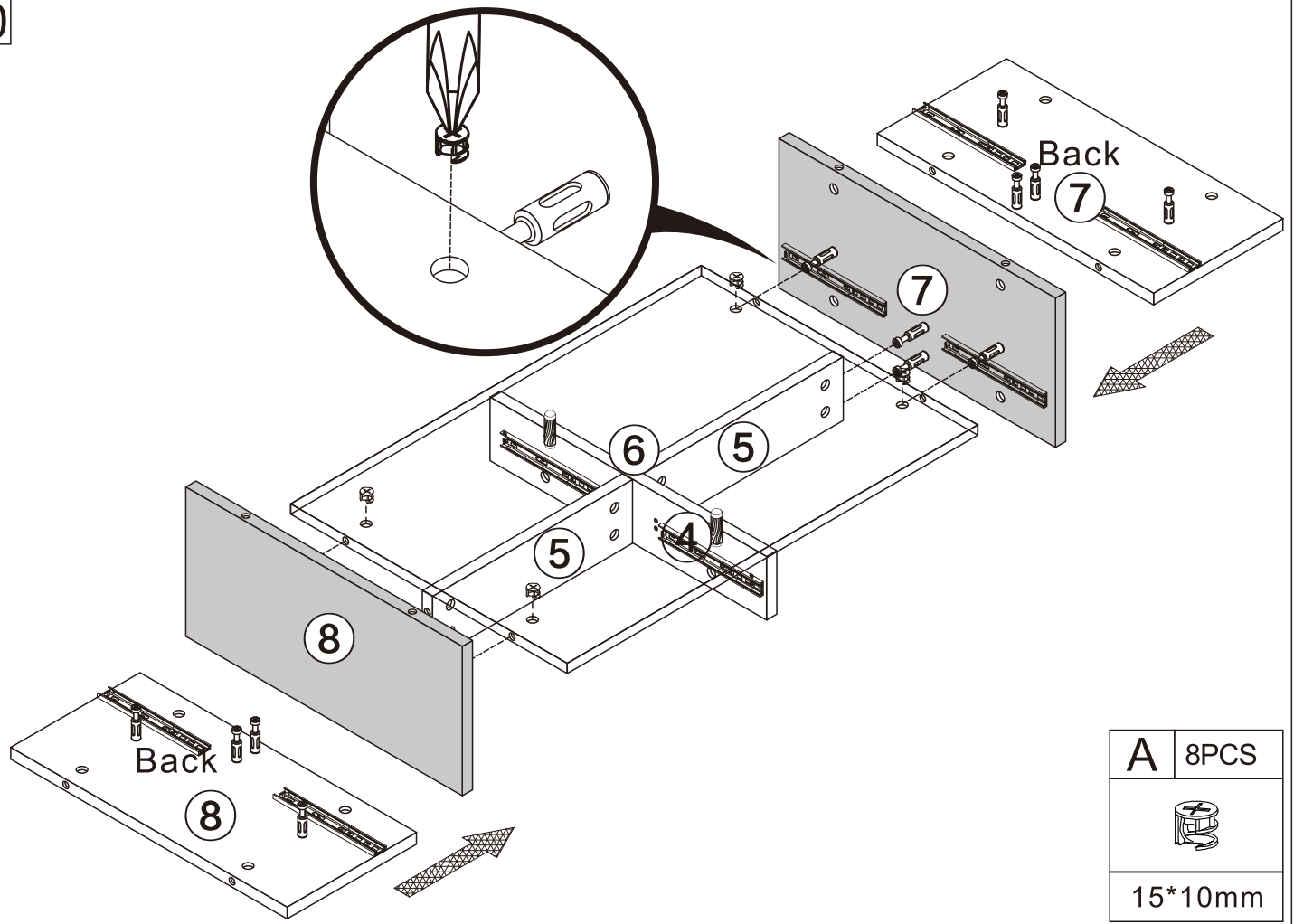
A	4PCS
	
15*10mm	


9



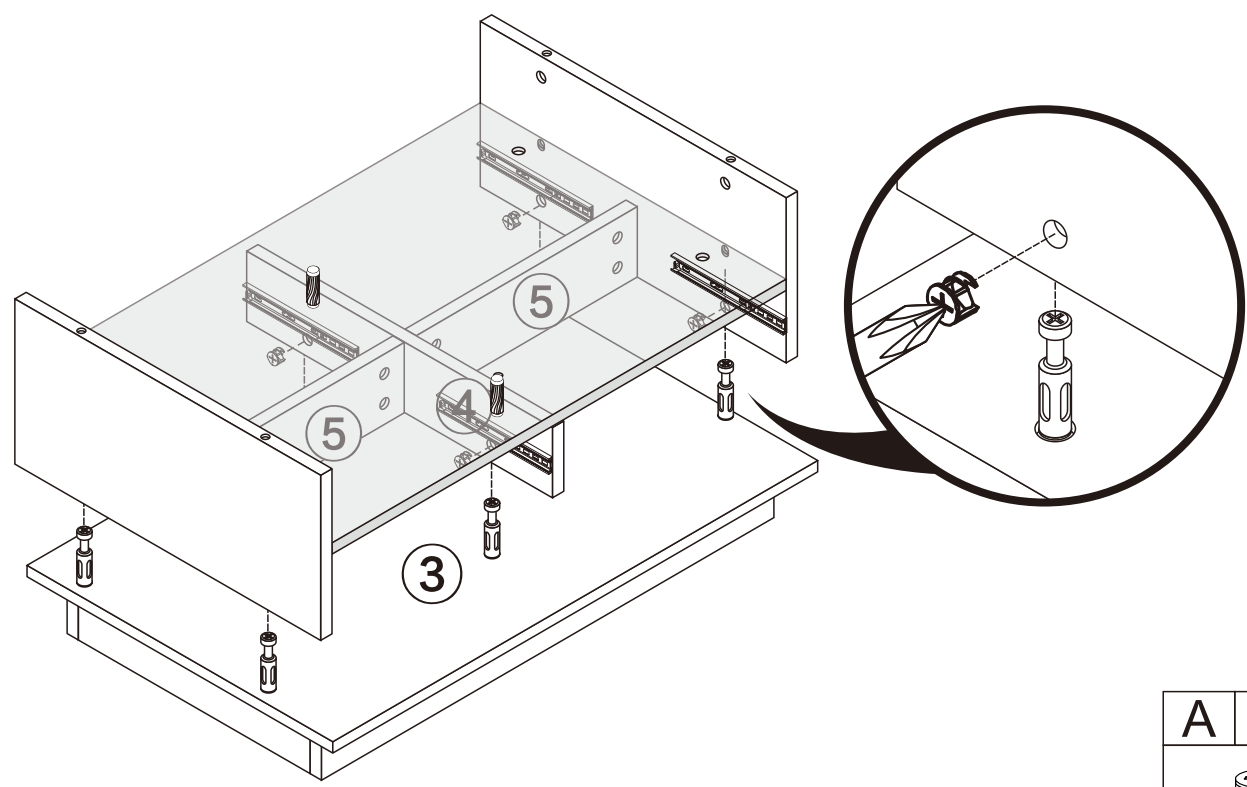
F	2PCS
	
8*50mm	


10



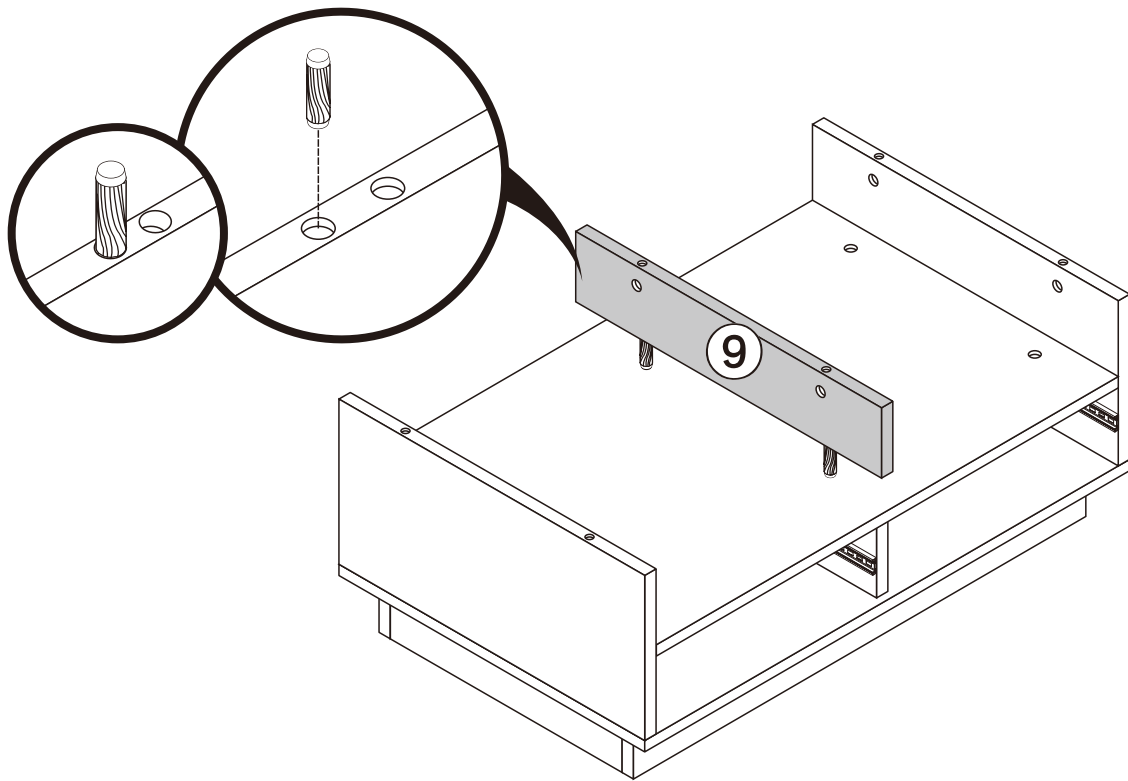
A	8PCS
	
15*10mm	

11

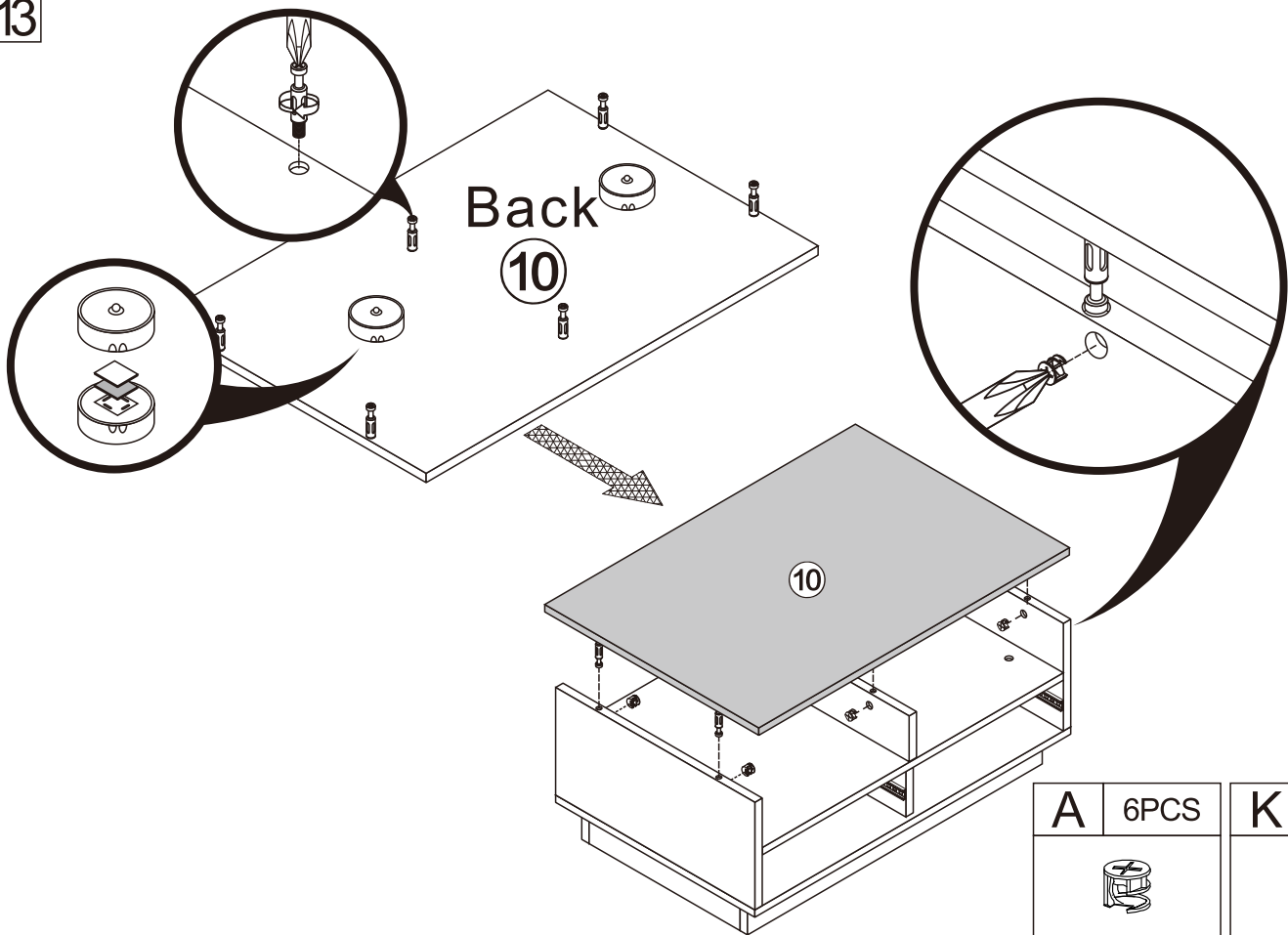




A	6PCS
	
15*10mm	

12

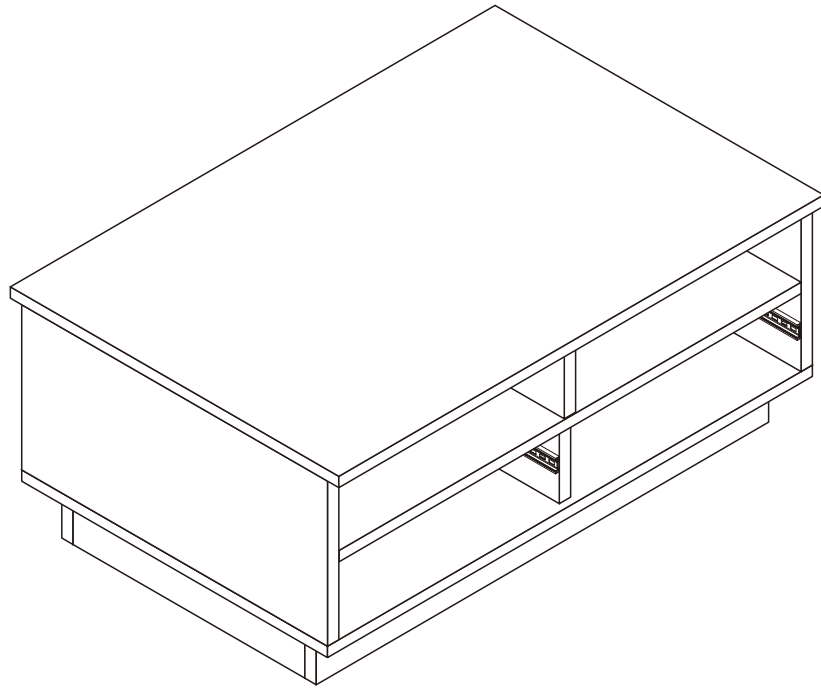


13

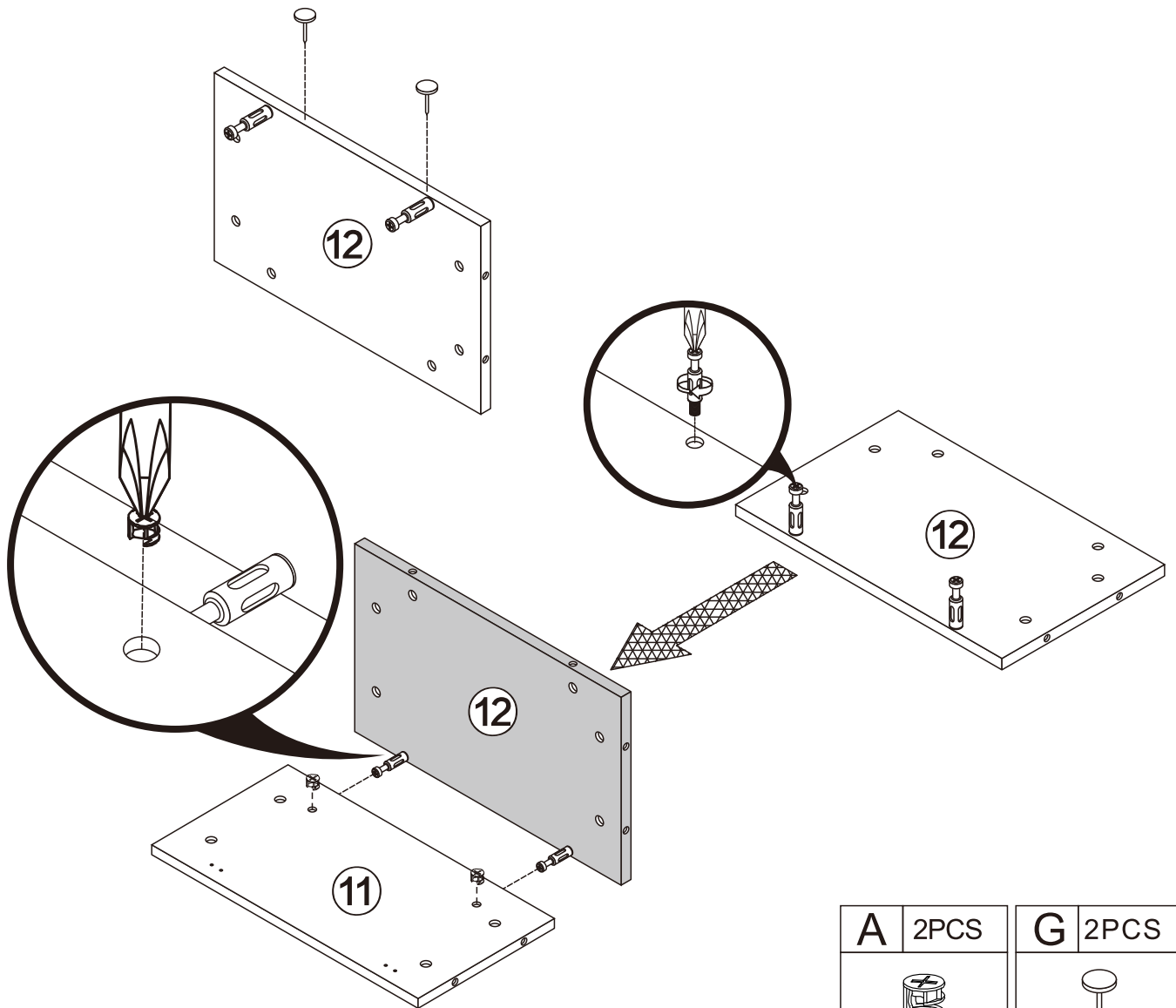




A	6PCS	K	2PCS
			
15*10mm			

14

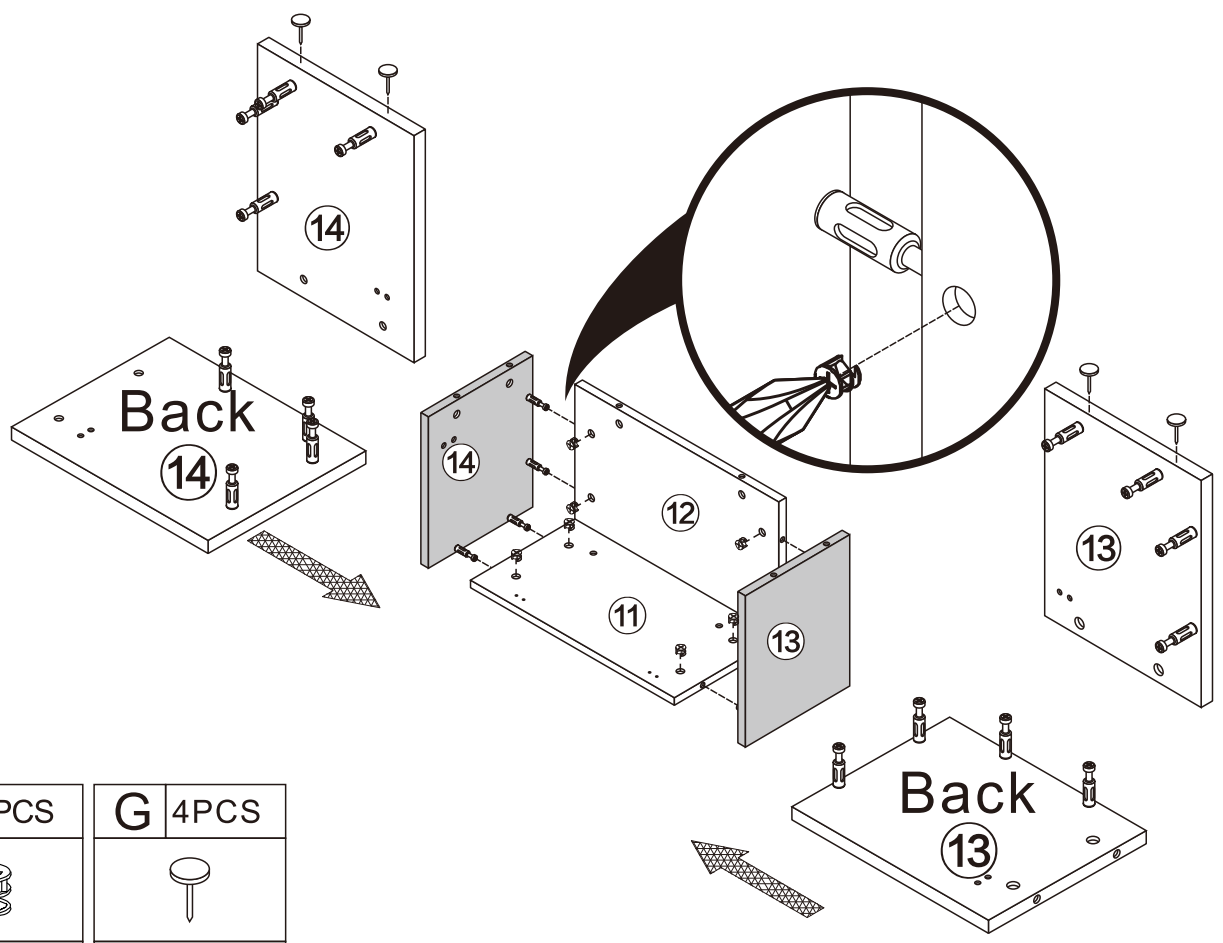




15



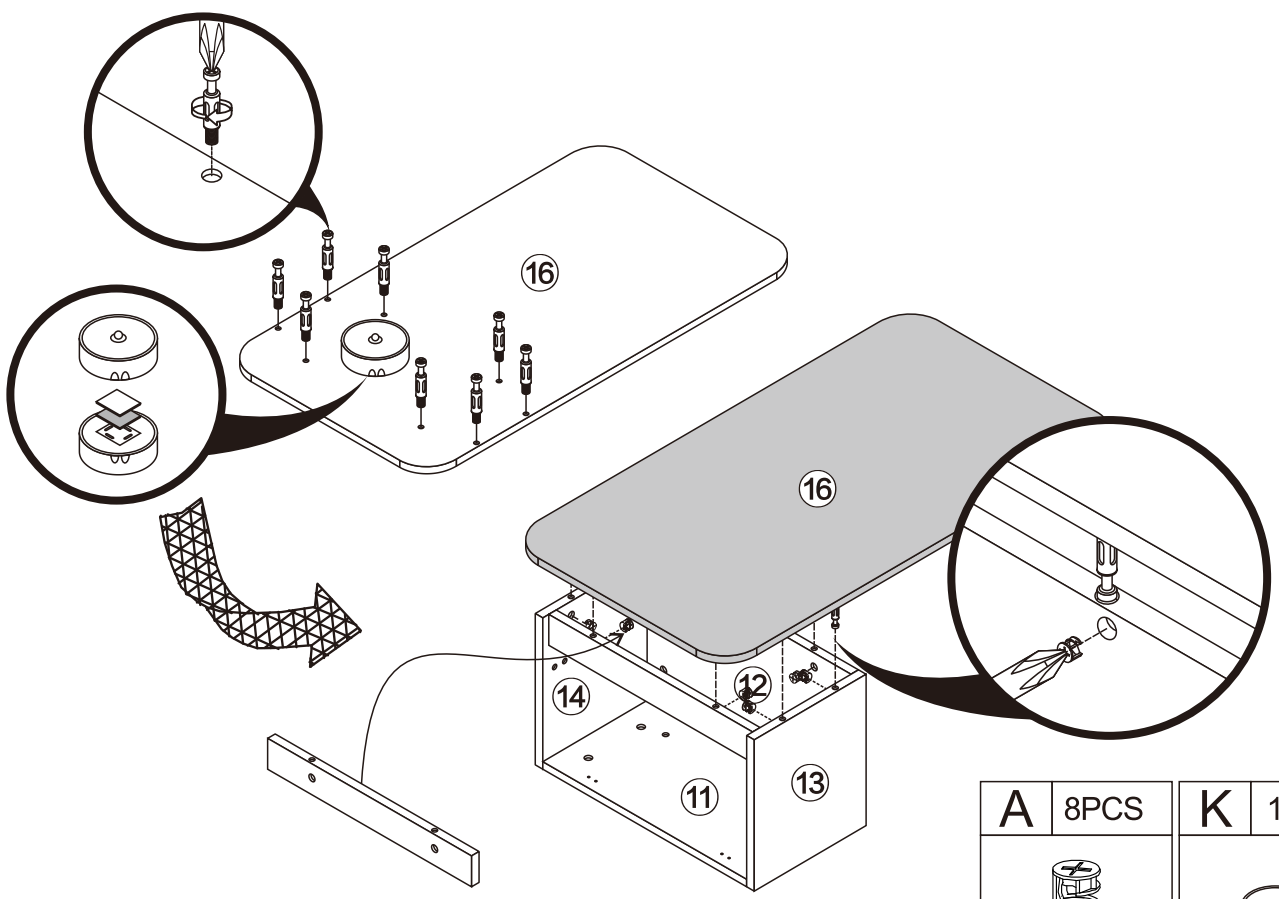
A	2PCS	G	2PCS
			
15*10mm		φ 15mm	



16



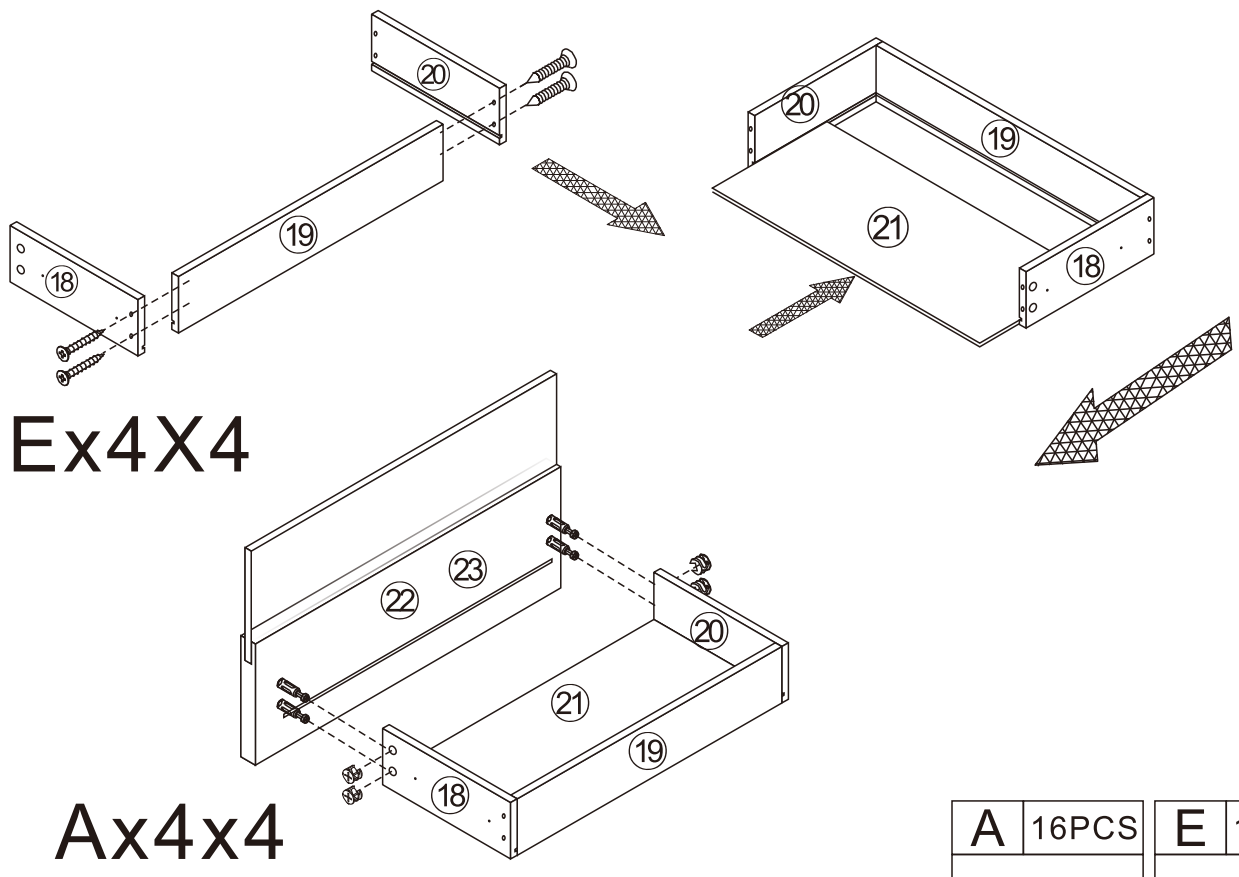
A	8PCS	G	4PCS
			
15*10mm		φ 15mm	



17



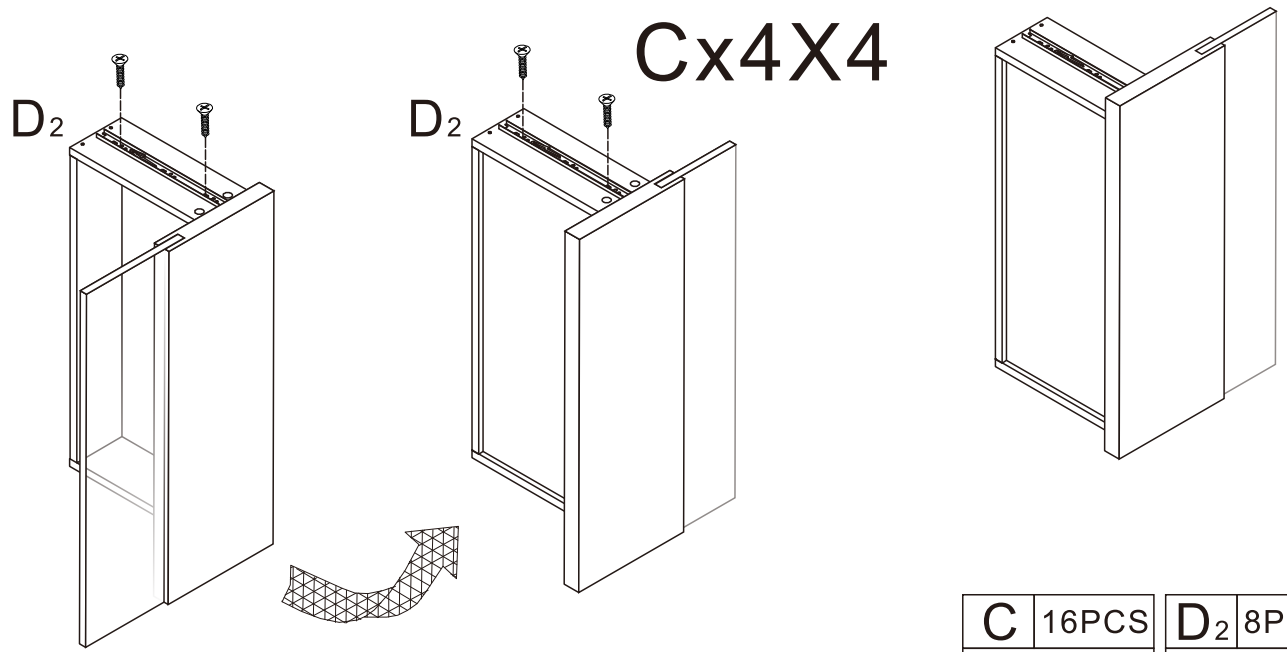
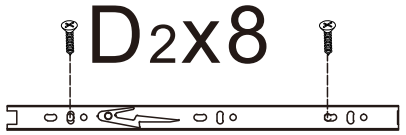
A	8PCS	K	1PCS
			
15*10mm			


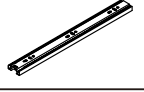
18

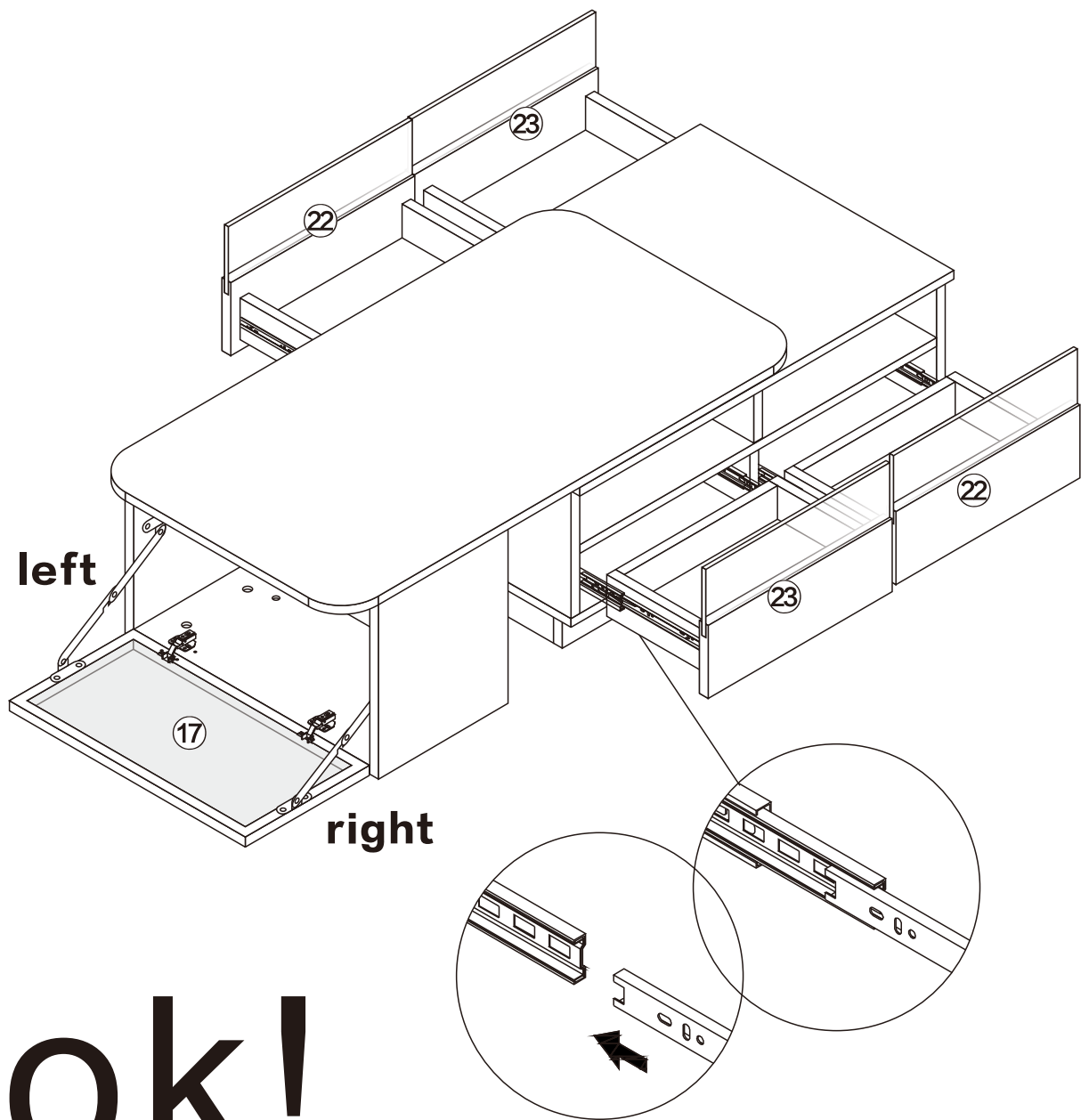


A	16PCS	E	16PCS
			
15*10mm		3.5*40mm	



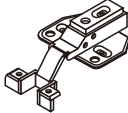
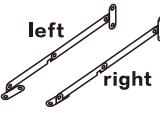
19



C	16PCS	D₂	8PCS
			
3.5*14mm		Three-section Rail	



OK!

C	4PCS	H	8PCS	I	2PCS	J	2PCS
							
3.5*14mm		4*12mm					

