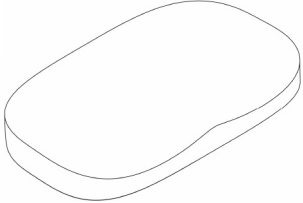
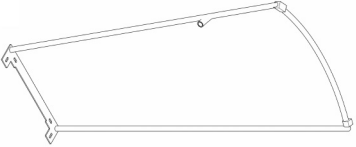
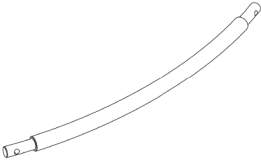





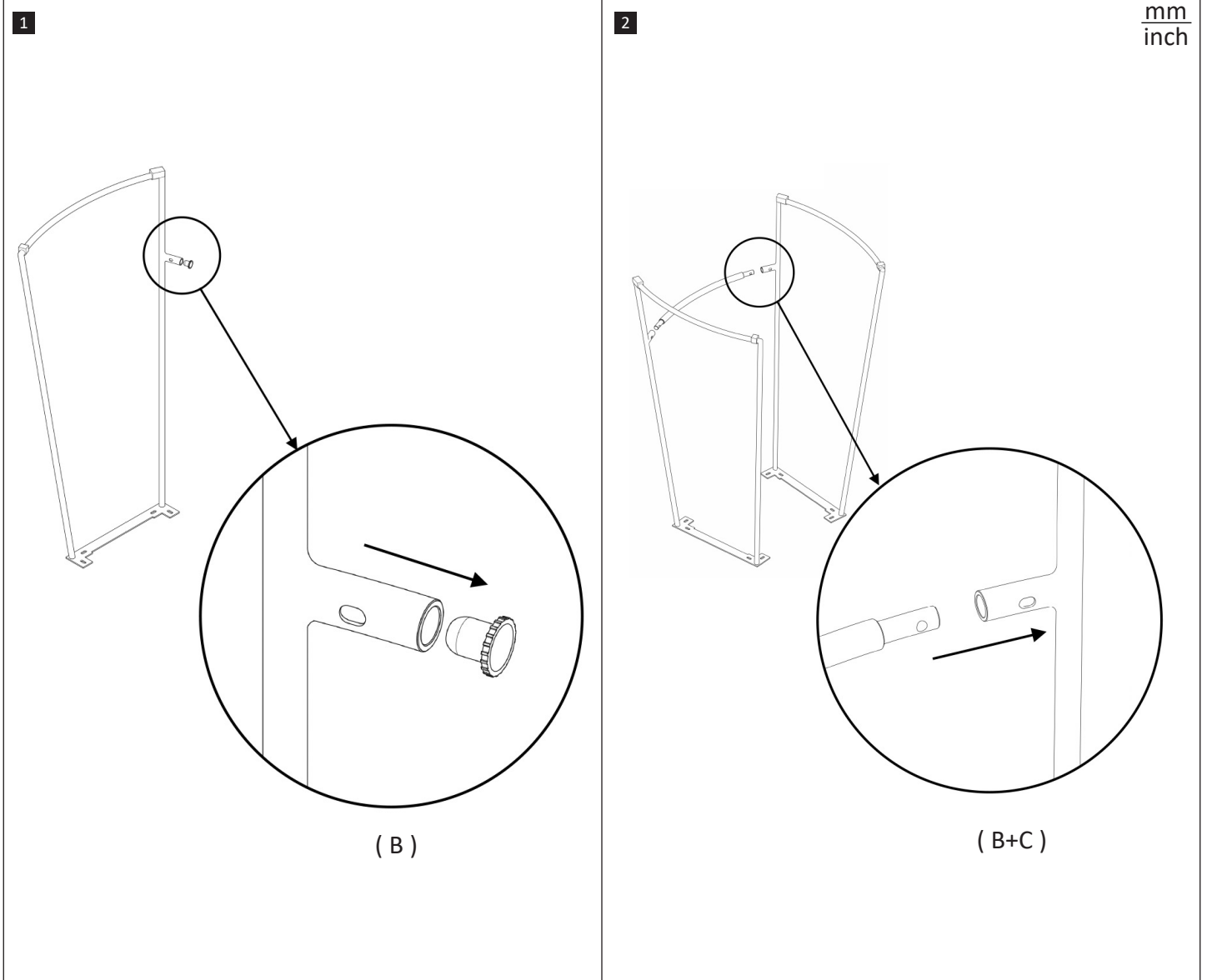
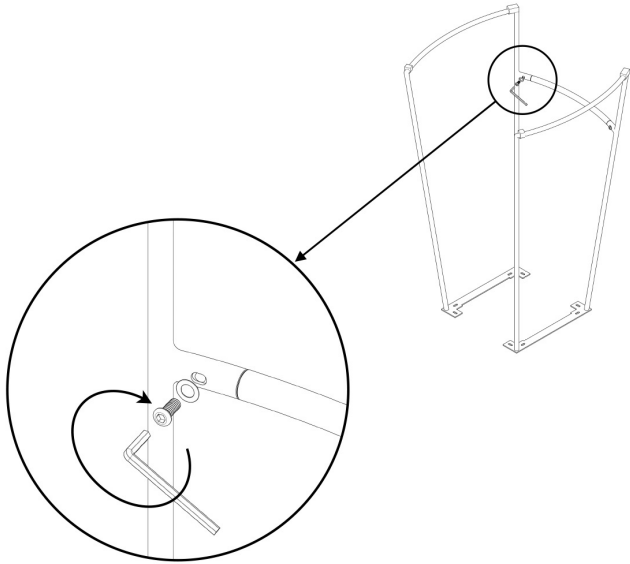


<p>Ax1</p> 	<p>Bx2</p> 	<p>Cx1</p> 	<p>Dx8</p>  <p>6x $\frac{16}{0.6}$</p>
--	--	---	--

<p>Ex8</p>  <p>$\frac{\Phi 6.5 \times \Phi 18}{\Phi 0.3 \times \Phi 0.7}$</p>	<p>Fx2</p>  <p>6x $\frac{12}{0.5}$</p>	<p>Gx2</p>  <p>$\frac{\Phi 6.3 \times \Phi 14}{\Phi 0.2 \times \Phi 0.6}$</p>	<p>Hx1</p>  <p>$\frac{4}{0.2}$</p>
---	--	--	--

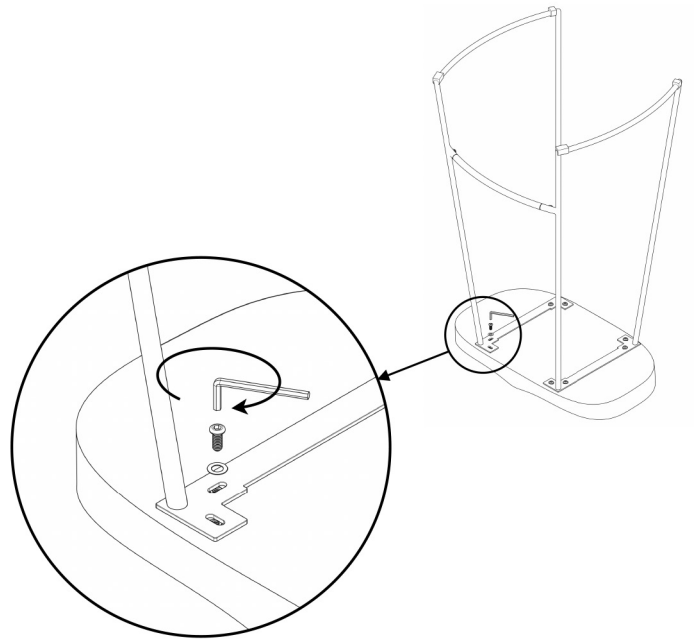


3



(B+C+G+F+H)

4



(A+B+E+D+H)

5

