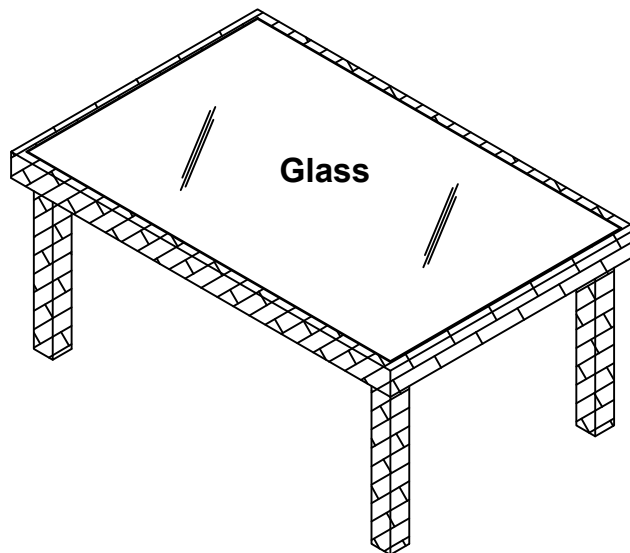
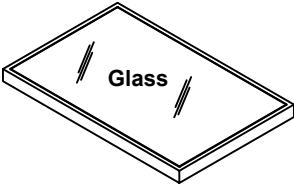
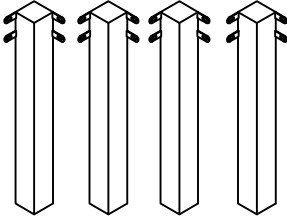


ASSEMBLY INSTRUCTIONS

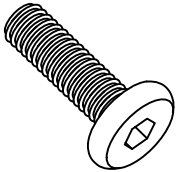
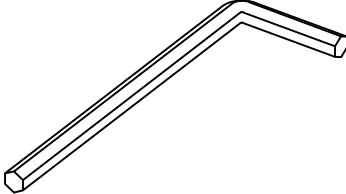


Thank you for purchasing a Outdoors company product. This product has been designed for easy assembly and is constructed for durability. Please take the time to read and follow the assembly instructions carefully. If a part or hardware is missing or you have any difficulties in assembling this product, please contact Customer Service.

PART LIST :

<p>A. TABLE TOP GLASS ASSEMBLY</p> 	<p>B. LEG ASSEMBLY</p> 
---	---

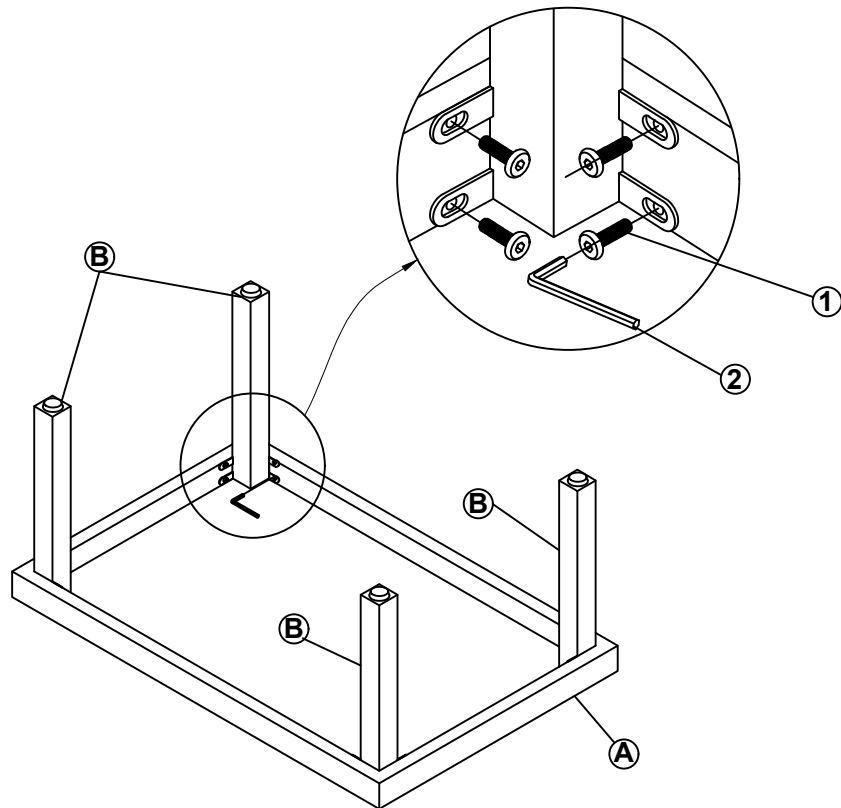
HARDWARE LIST

<p>1.BOLT</p> 	<p>2. ALLAN KEY M4</p> 
--	---

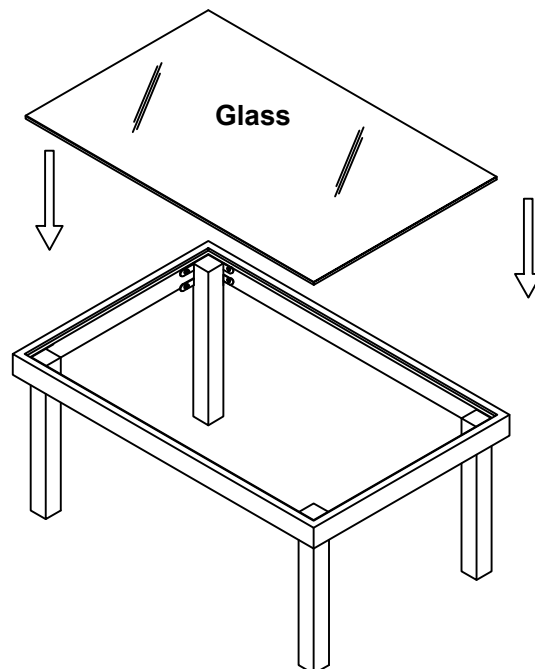
NOTE

- ❖ Read these instructions carefully before assembling
- ❖ Tools required : Phillips screwdriver.
- ❖ Find a clean,smooth area on which to works,such as carpet,in order to avoid scratching the metal surface.
- ❖ Wait to dispose of the packing material until assembly is complete and all parts &hardware are accounted for.
- ❖ Two people might be required for assembly

STEP 1



STEP 2



Thank you for your purchase. Our items are intended for residential use only. To clean and maintain your furniture we recommend dry dust with a soft clean cloth. Do not use harsh chemicals to clean your furniture as this could damage the protective top coat and/or finish