

READ AND SAVE THIS INSTRUCTIONS FOR FUTURE USE

ASSEMBLY & INSTRUCTION MANUAL

Garden swing

IMPORTANT-KEEP THIS INFORMATION FOR YOUR SUBSEQUENT CONSULTATION: READ CAREFULLY

Only for domestic use

Use tips:

- *Put the swing stably on a flat floor.
- *Mount the swing arm in the shelter of the weather.
- *Stay away from open flames.
- *Don't hang anything in the structure.
- *Avoid the overload at the anchors.
- *It is advised that don't stay on the swing when there is a storm.
- *It is recommended to protect in case of strong wind or rain and in your absence.

Precautions before assembly:

- *Prepare a clean and dry mounting area.
- *Verify that the product is not damaged.
- *Check that none of the pieces are missing.

Maintenance:



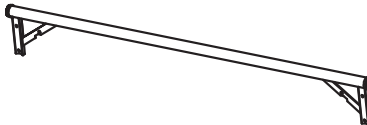













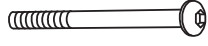
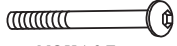




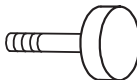



- *Clean with a soft fabric.
- *Regularly remove leaves and / or water collected on the canvas.
- *Check the anchors regularly.

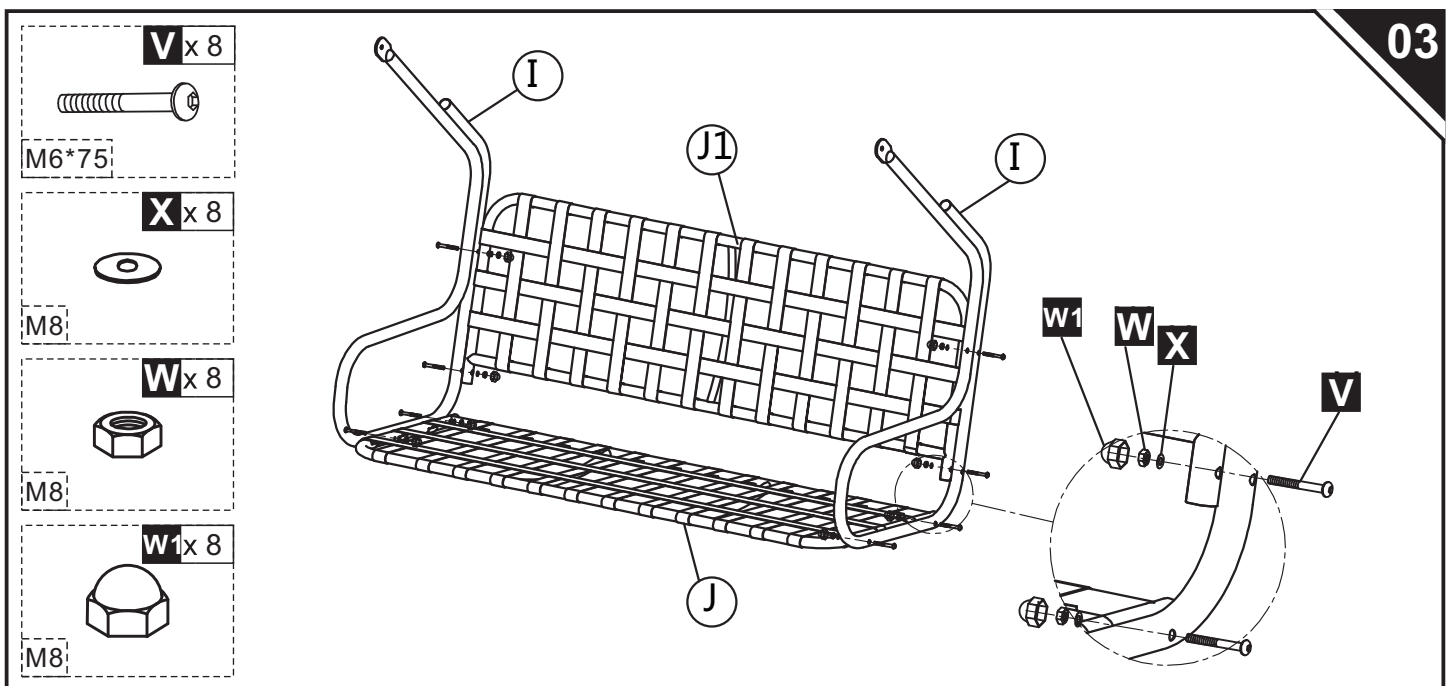
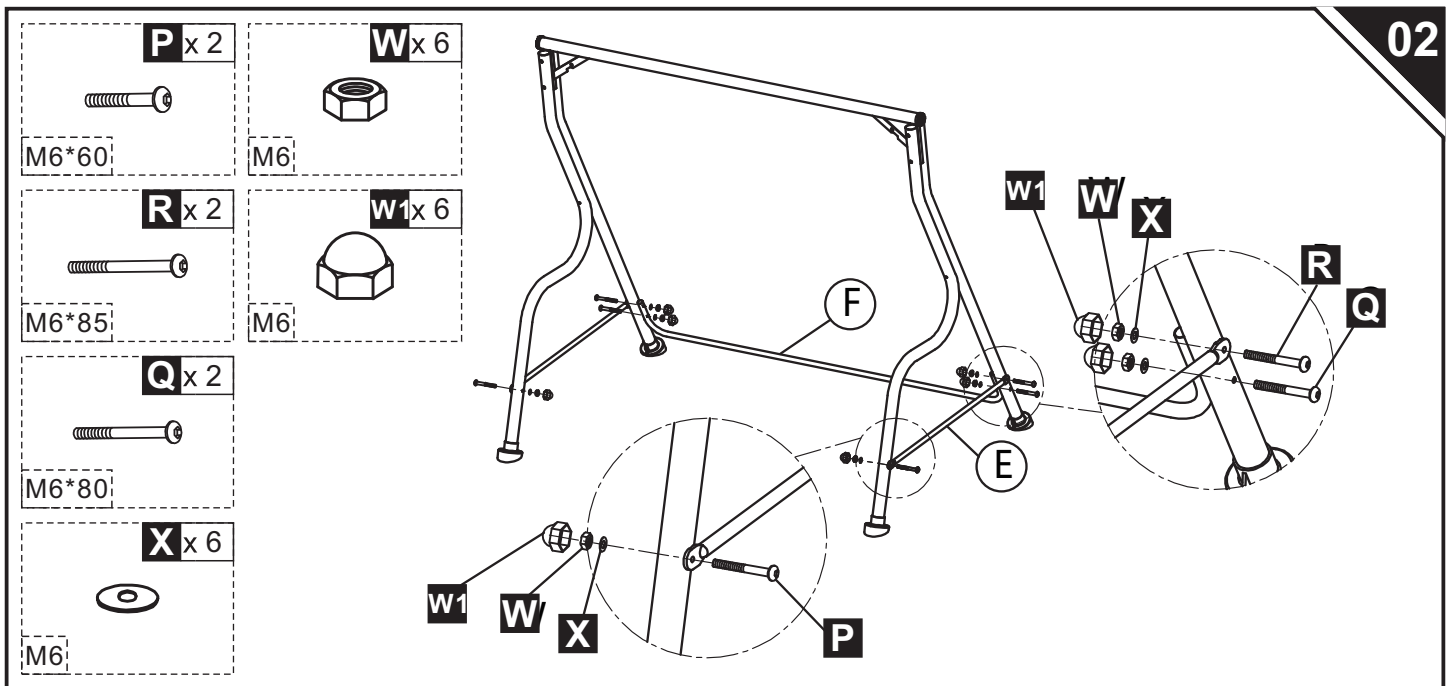
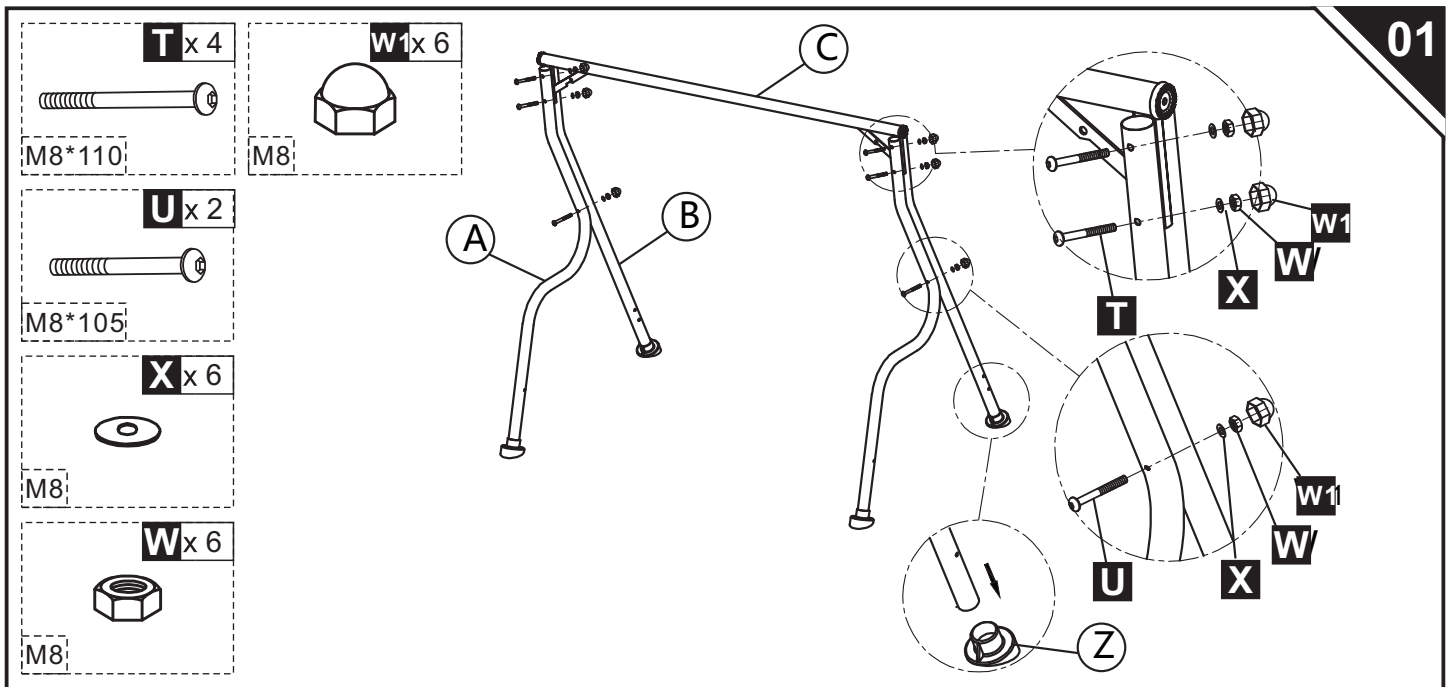
Storage conditions:

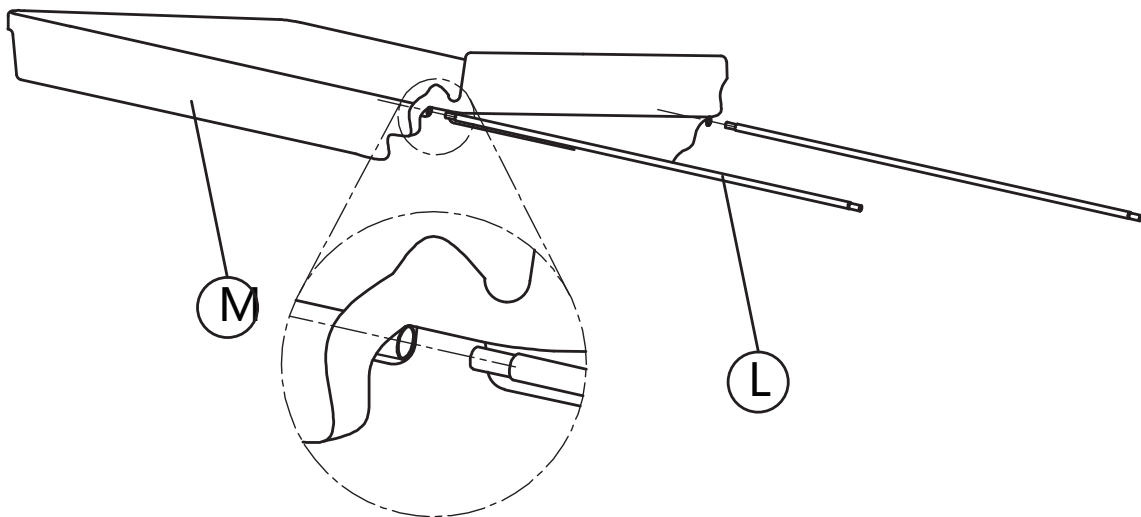
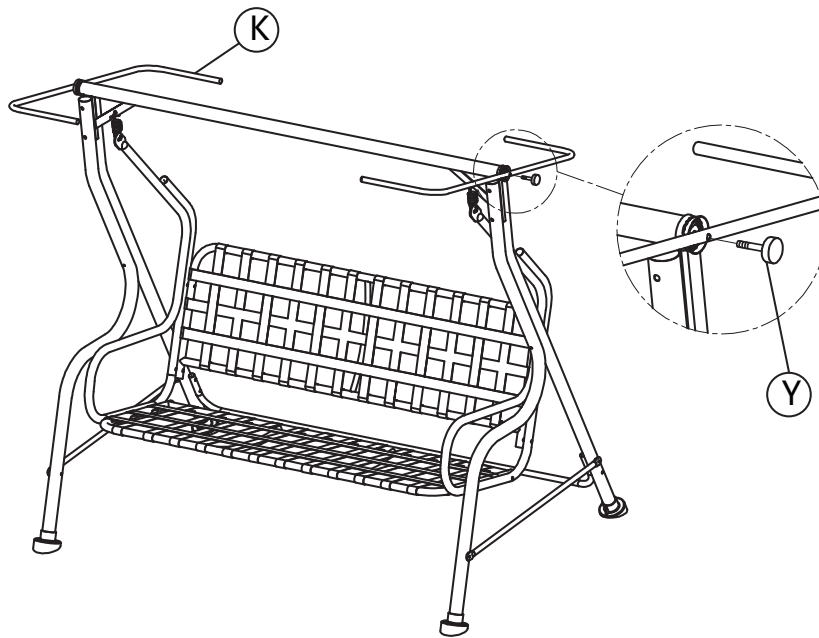
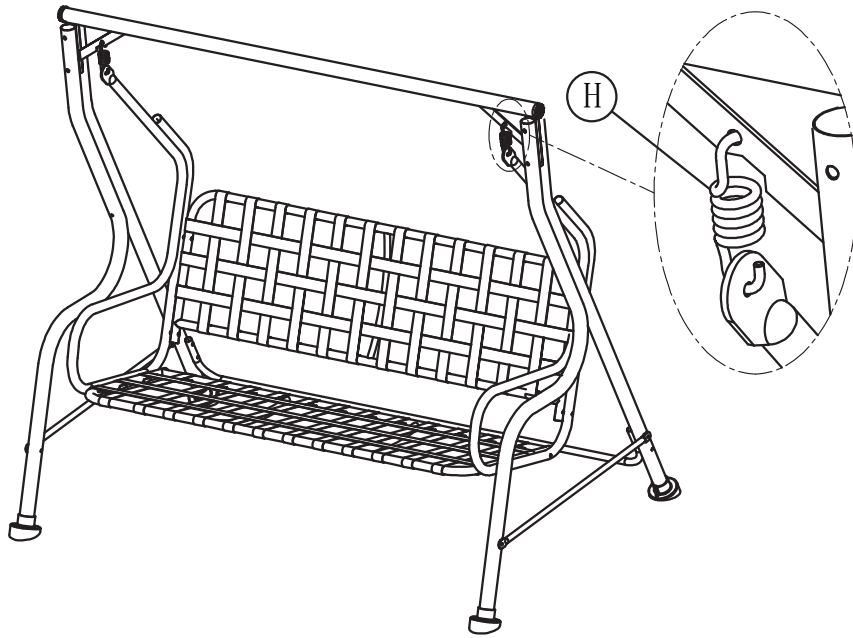
*The fabric should be stored completely dry, in a clean and dry place to avoid the risks of mold.

Caution with the risks of pinching or cuts during assembly.

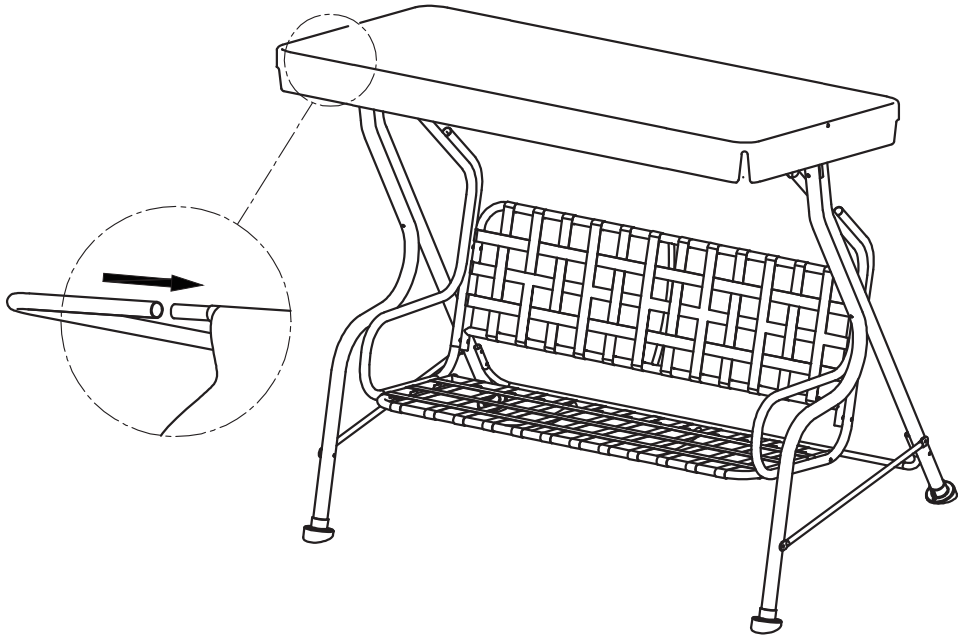
The manufacturer declines all responsibility in case of damages due to a bad installation or due to weather.

				
A x2	B x2	C x1	E x2	
				
F x1	H x2	I x2	J1 x1	
				
				 M6X60
K x2	L x2	M x1	N x3	P x2
 M6X80	 M6X85	 M8x110	 M8X105	 M8X75
Q x2	R x2	T x4	U x2	V x8
				
BB x1	W M6 x6	X M6 x6	Y x2	W1 M6 x6
	W M8 x14	X M8 x14		W1 M8 x14
				
Z x4	AA M6 x1			
		AA M8 x1		

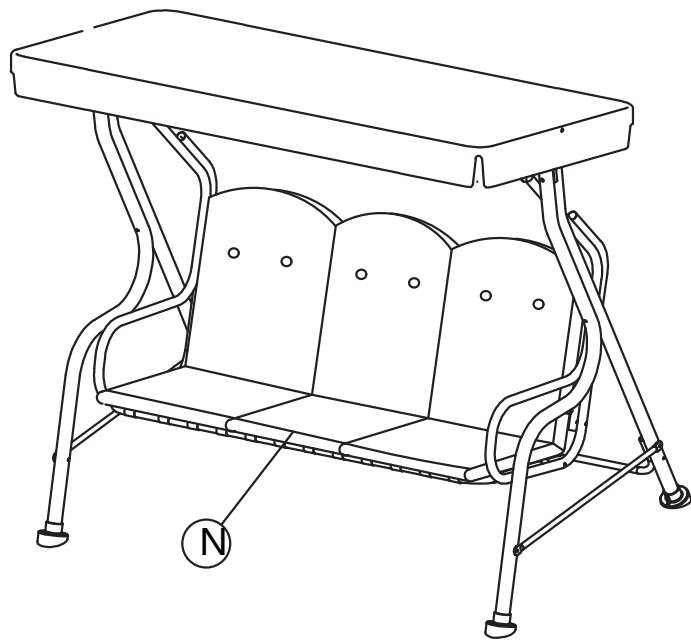




07



08



Done

